

[54] PULL

[75] Inventor: **Teresa R. B. Pittenger**, Rockford, Ill.

[73] Assignee: **Amerock Corporation**, Rockford, Ill.

[**] Term: **14 Years**

[21] Appl. No.: **162,130**

[22] Filed: **Jun. 23, 1980**

[51] Int. Cl. **D8-06**

[52] U.S. Cl. **D8/307**

[58] Field of Search **D8/300, 307, 321;**
16/110 R, 121; D7/4, 20, 39, 19, 21

[56] **References Cited**

U.S. PATENT DOCUMENTS

D. 204,461 4/1966 Volker et al. **D8/307**

D. 235,617 7/1975 Tegner **D8/307**

D. 247,410 3/1978 Wagner et al. **D8/307**

2,553,880 5/1951 Stigler **D7/20**

Primary Examiner—**B. J. Bullock**

Attorney, Agent, or Firm—**Leydig, Voit, Osann, Mayer & Holt, Ltd.**

[57] **CLAIM**

The ornamental design for a pull, as shown.

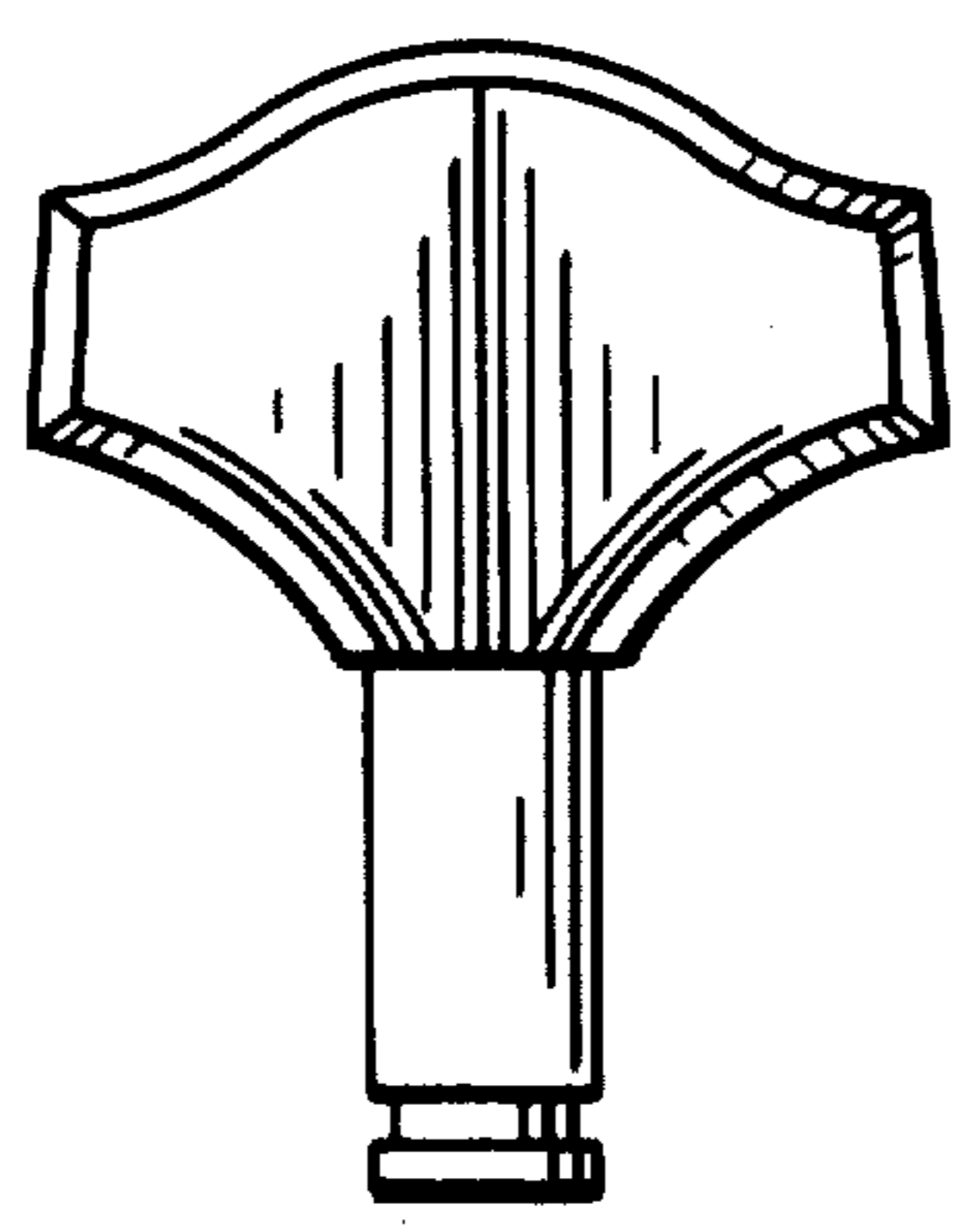
DESCRIPTION

FIG. 1 is a top plan view of a pull incorporating my new design;

FIG. 2 is a front elevational view thereof, the rear being identical;

FIG. 3 is a side elevational view thereof, the side opposite being identical;

FIG. 4 is an enlarged sectional view taken along the line 5-5 of FIG. 1.



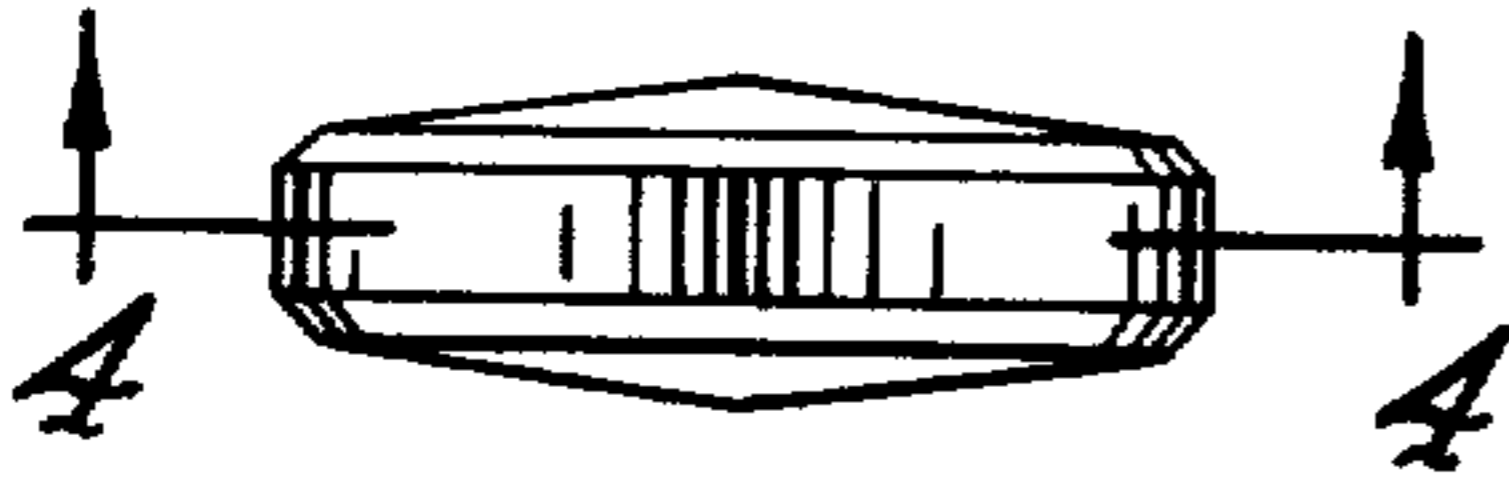


FIG. 1.

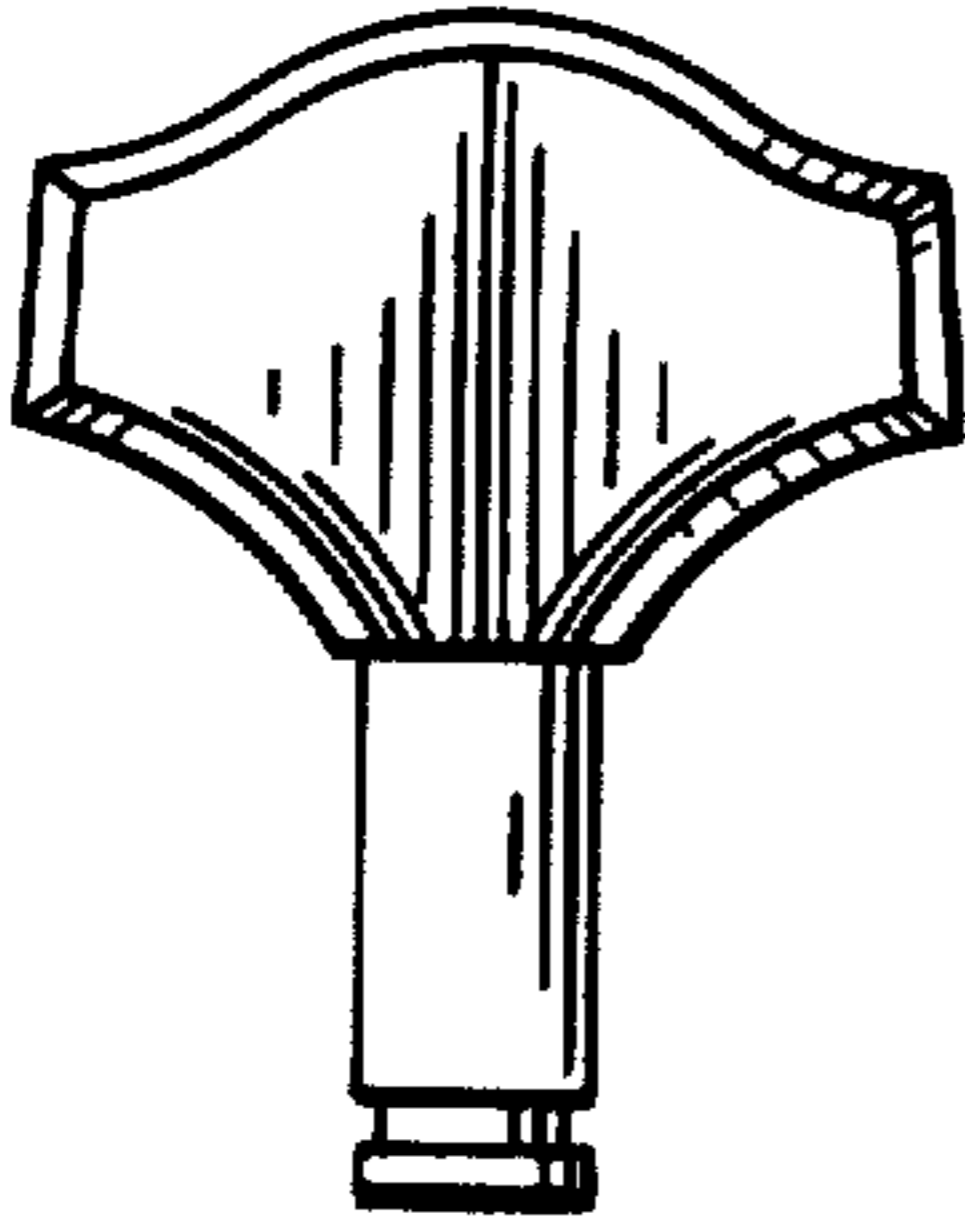


FIG. 2.



FIG. 3.

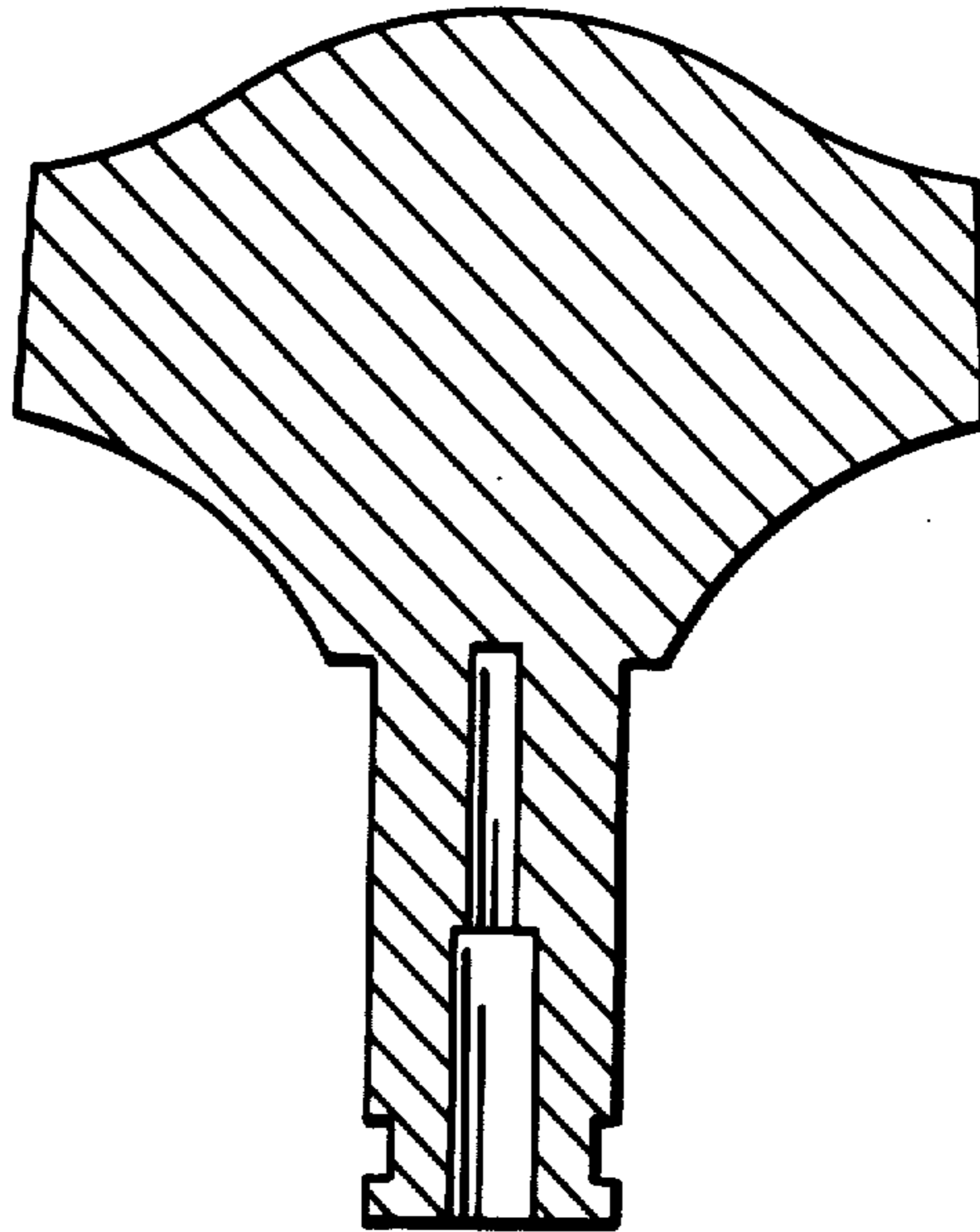


FIG. 4.