

[54] MICRO-WAVE OVEN

[75] Inventors: Masamichi Yamamura, Osaka; Toshio Harada; Michio Tanaka, both of Nara, all of Japan

[73] Assignee: Matsushita Electric Industrial Co., Ltd., Osaka, Japan

[**] Term: 14 Years

[21] Appl. No.: 217,933

[22] Filed: Dec. 18, 1980

[30] Foreign Application Priority Data

Jul. 3, 1980 [JP] Japan 55-26648

[51] Int. Cl. D7-02

[58] Field of Search D7/128; 219/10.55;

[58] Field of Search D7/128; 219/10 SS; 99/324-327, 330, 331, 339, 341; 126/1 R, 19 R, 273 R, 275 R; 312/236

[56] References Cited

U.S. PATENT DOCUMENTS

- D. 248,607 7/1978 Yamamura et al. D7/128
- D. 256,210 8/1980 Takahishi et al. D7/128
- D. 261,468 10/1981 Takahishi et al. D7/128
- D. 262,088 12/1981 Yamamura et al. D7/128

Primary Examiner—Catherine E. Kemper
Attorney, Agent, or Firm—Sughrue, Mion, Zinn, Macpeak & Seas

[57] CLAIM

The ornamental design for a micro-wave oven, as shown.

DESCRIPTION

FIG. 1 is a front, top and right side perspective view of a micro-wave oven showing our new design; FIG. 2 is a rear, bottom and left side perspective view thereof; FIG. 3 is a top plan view thereof; and FIG. 4 is a right side elevational view thereof.

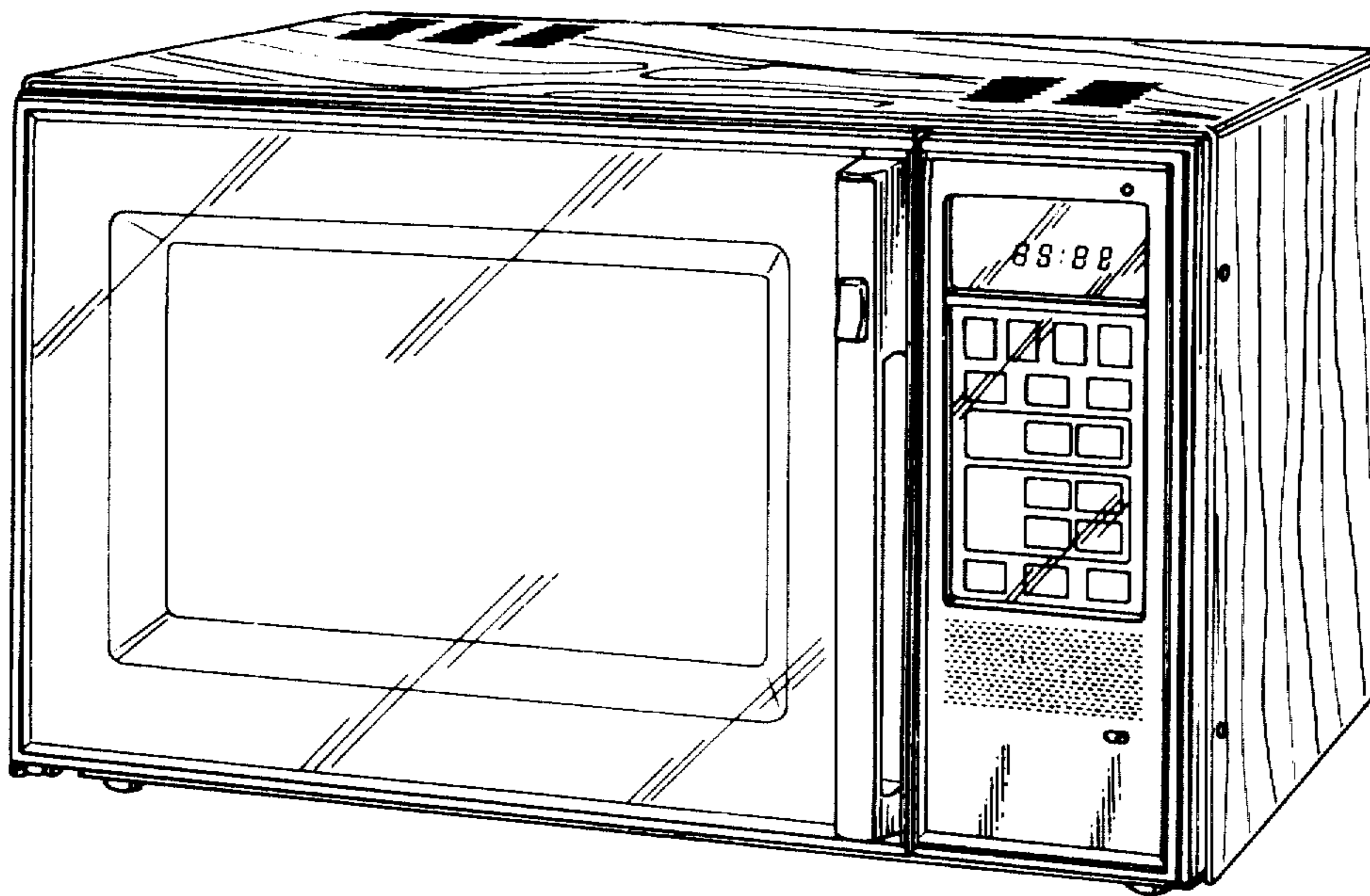


Fig. 1

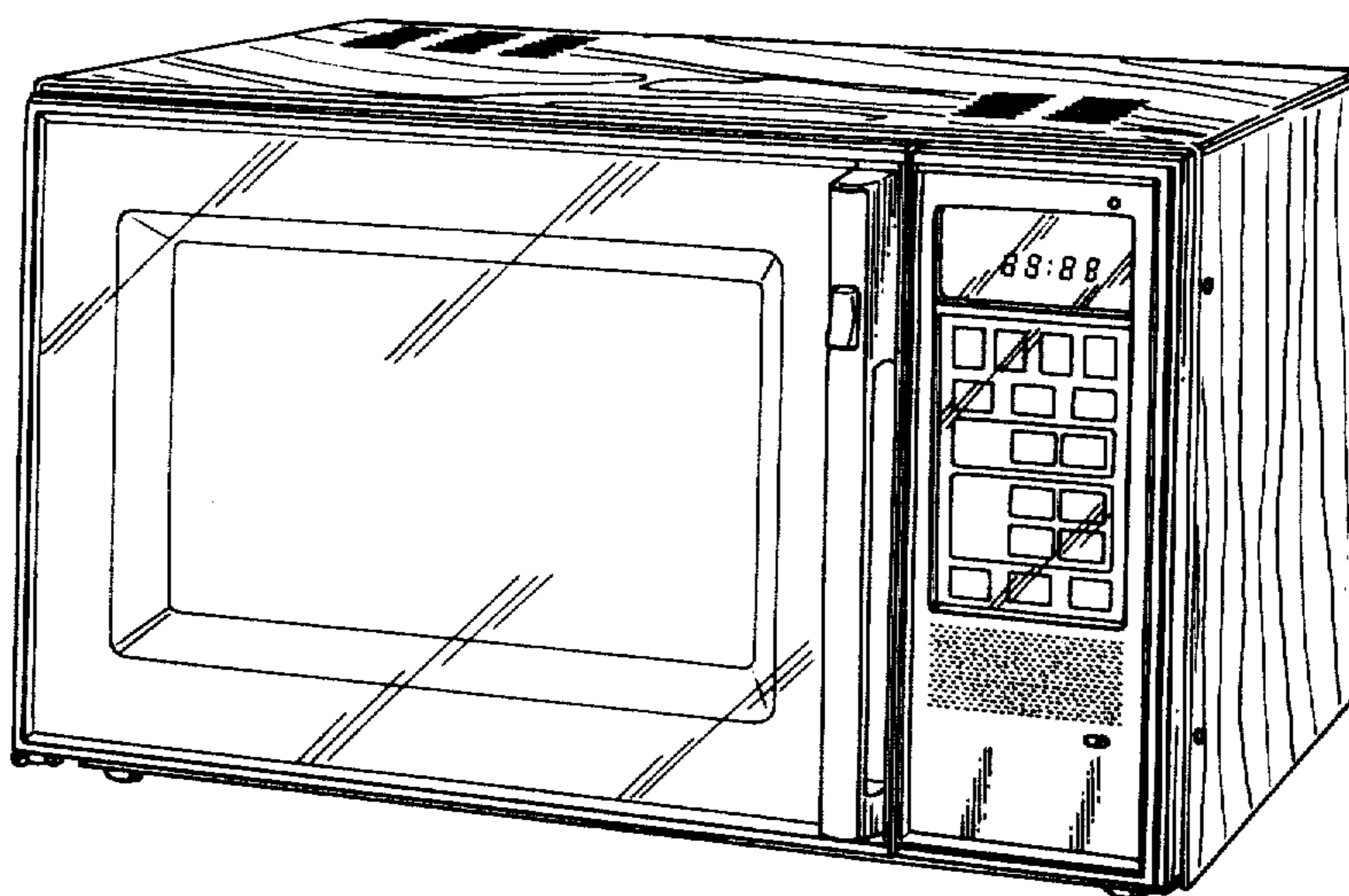


Fig. 2

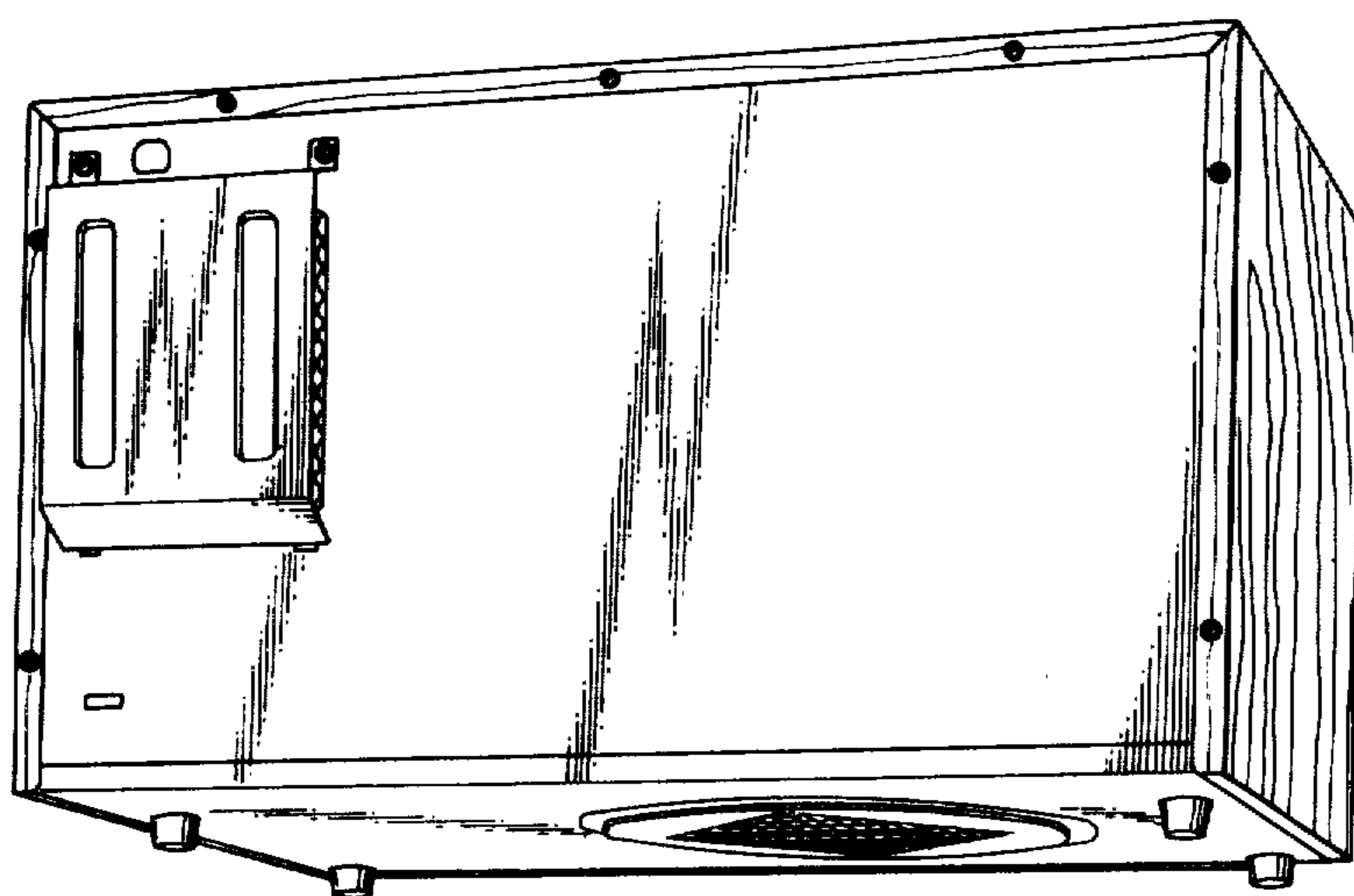


Fig. 3

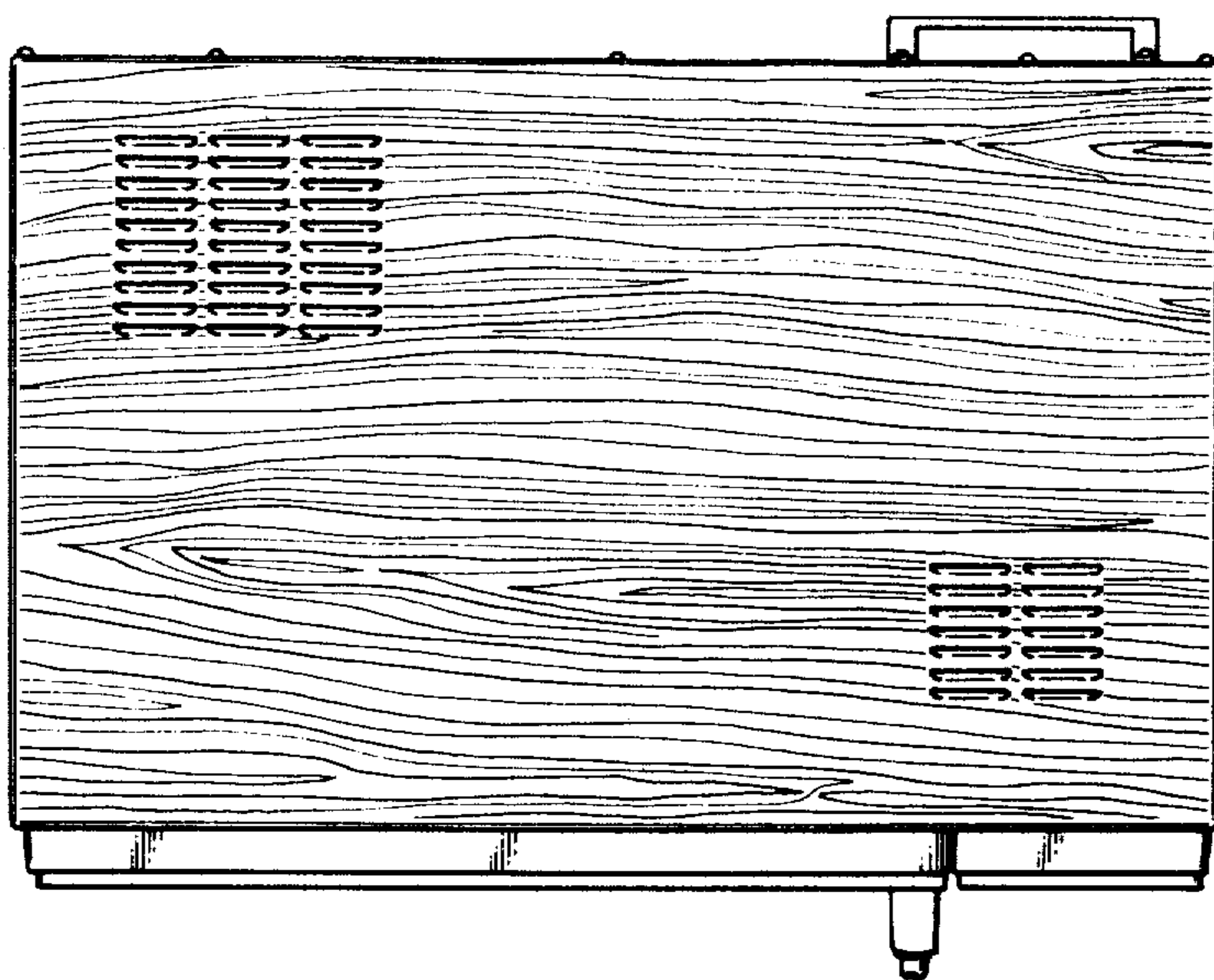


Fig. 4

