

[54] TONGS

[75] Inventor: Edgar F. Trombly, Grosse Pointe Farms, Mich.

[73] Assignee: Thermo-Serv, Inc., Anoka, Minn.

[**] Term: 14 Years

[21] Appl. No.: 195,043

[22] Filed: Oct. 8, 1980

[51] Int. Cl. D07-06

[52] U.S. Cl. D7/105

[58] Field of Search D7/105; 294/33, 99 R

[56] References Cited

U.S. PATENT DOCUMENTS

D. 187,938	5/1960	Polk	D7/105
828,625	8/1906	Ogg	294/99 R
1,305,806	6/1919	Keppeler	D7/105 X

1,508,287	9/1924	Moran	294/99 R
3,889,995	6/1975	Lin	294/33 X

OTHER PUBLICATIONS

Domus 603, Feb. 1980, p. 44, Cake Tongs shown at right, 2nd panel up.

Primary Examiner—Winifred E. Herrmann
Attorney, Agent, or Firm—Kenneth J. Hovet

[57] CLAIM

The ornamental design for tongs, substantially as shown.

DESCRIPTION

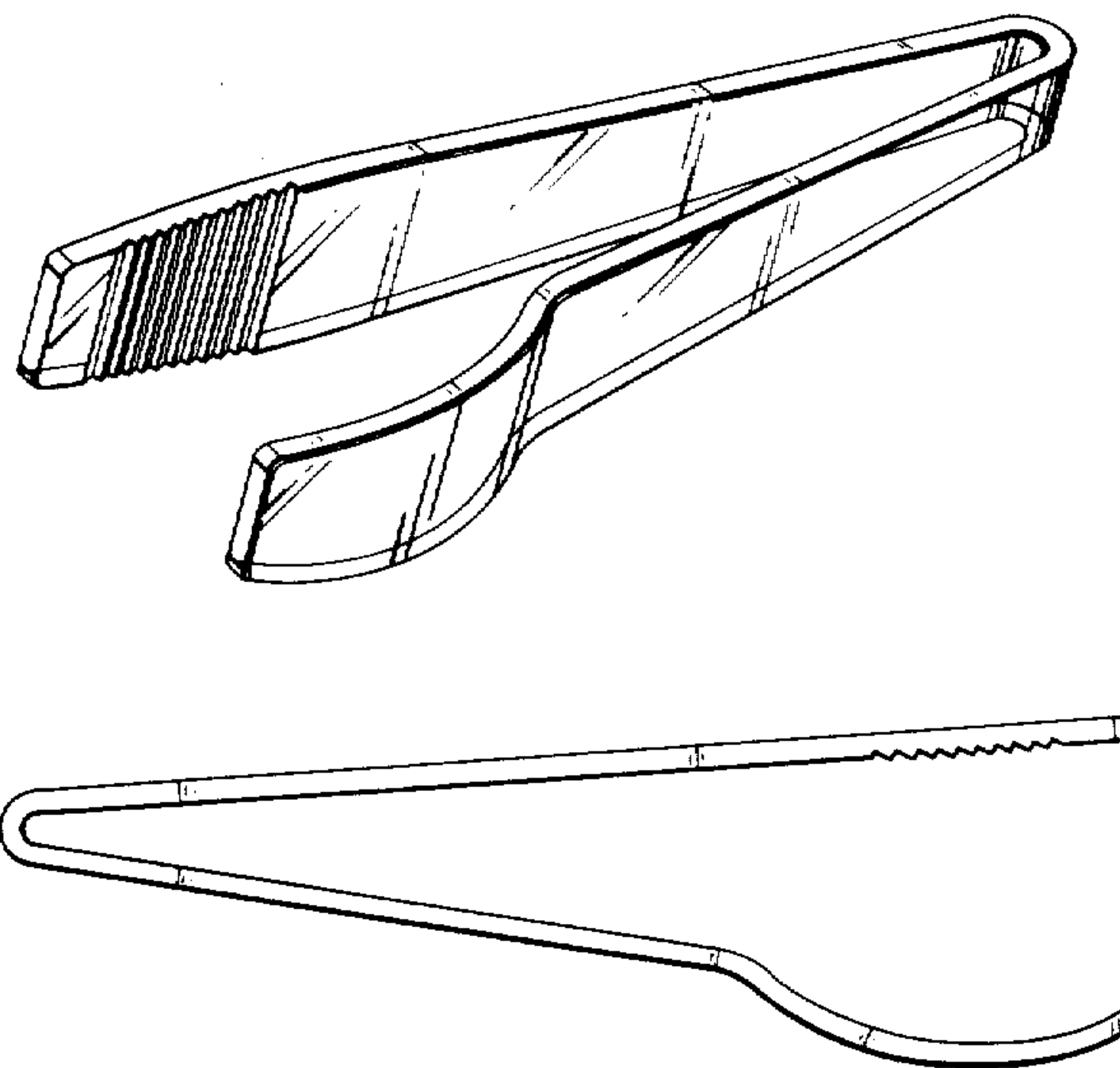
FIG. 1 is a perspective view of the tongs showing my new design;

FIG. 2 is a top plan view;

FIG. 3 is a side elevational view;

FIG. 4 is an end elevational view; and,

FIG. 5 is an opposing end elevational view.



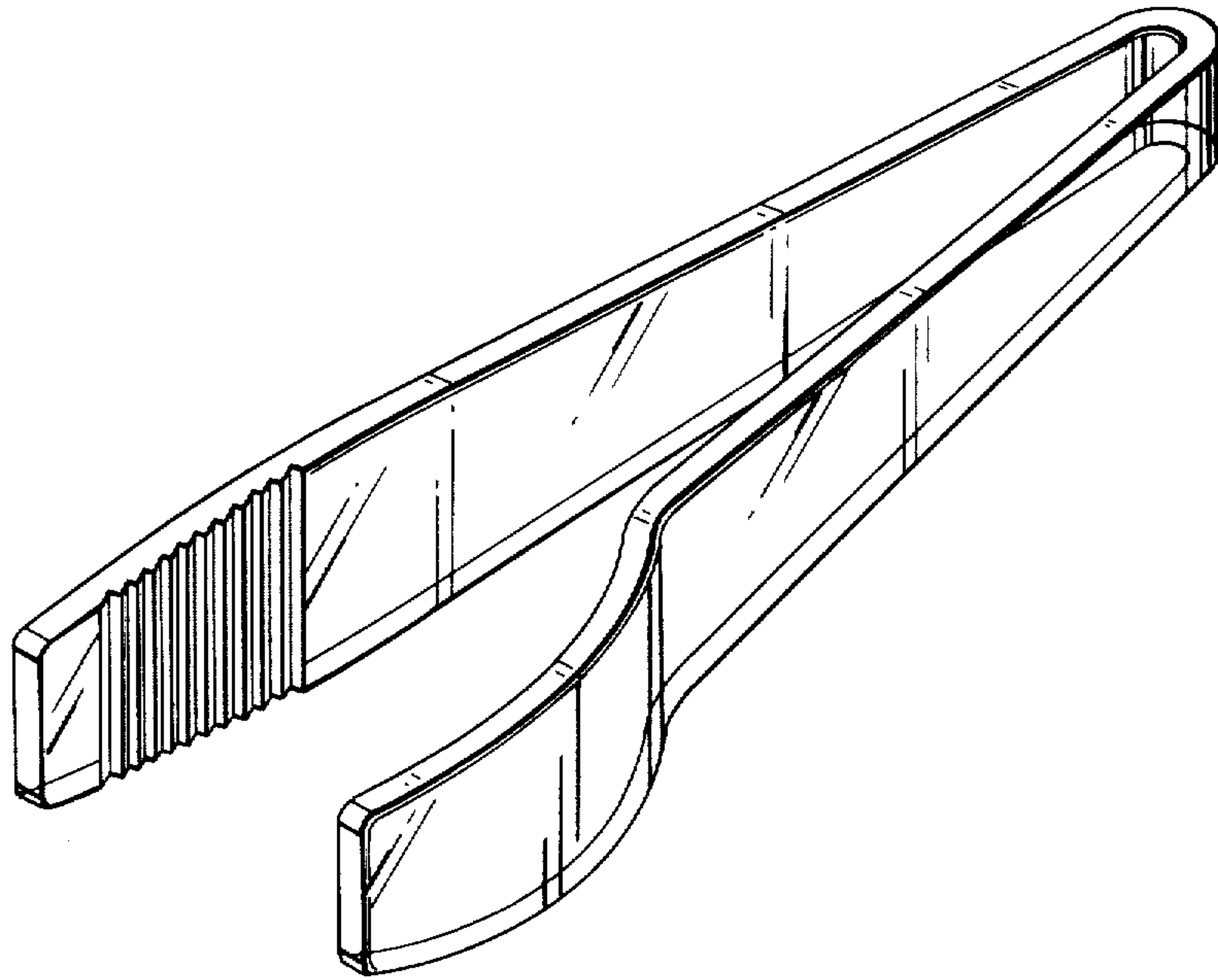


FIG. 1

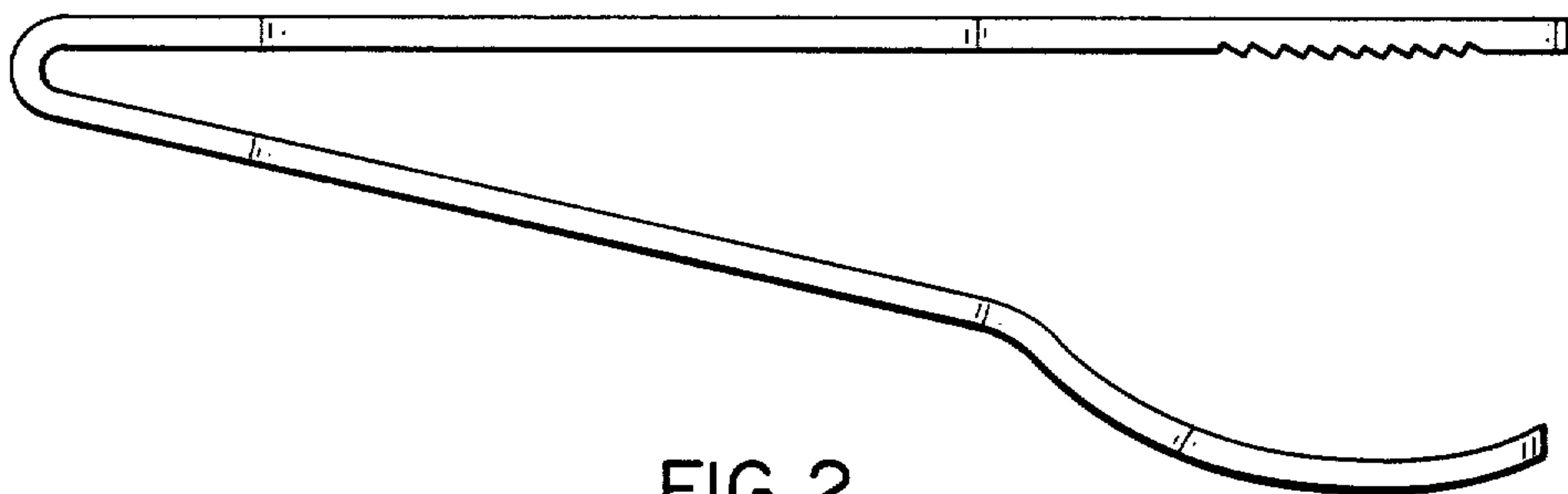


FIG. 2

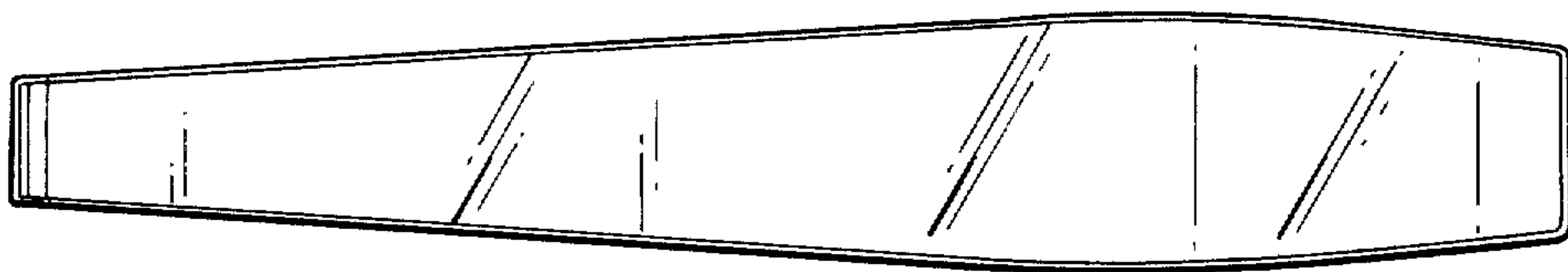


FIG. 3

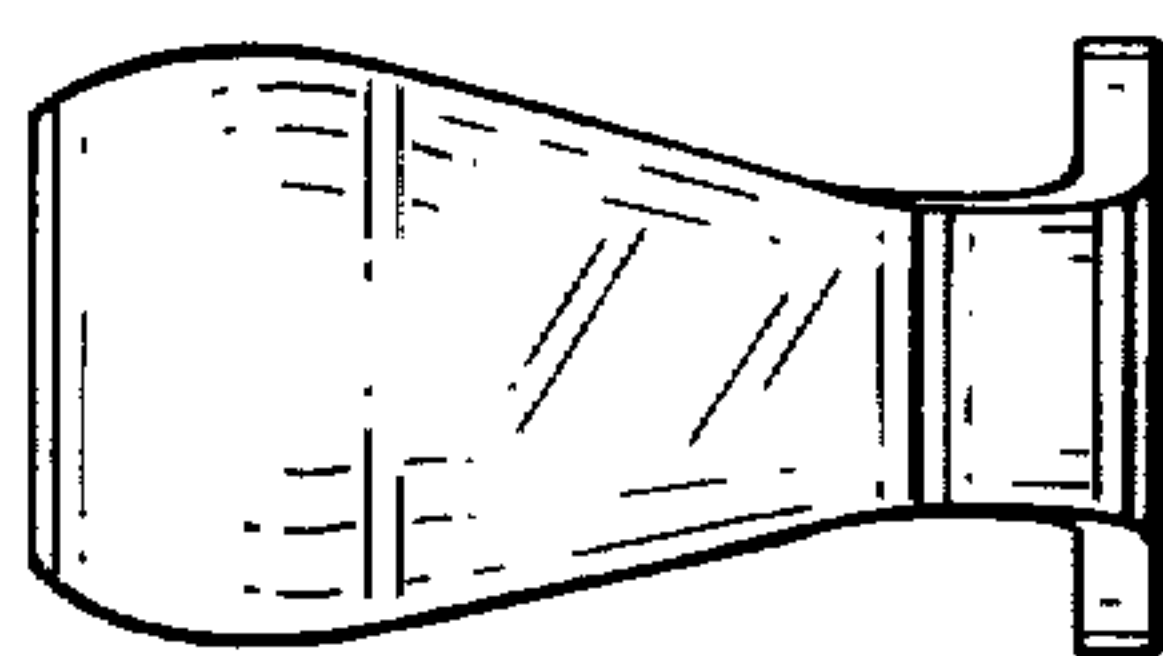


FIG. 4

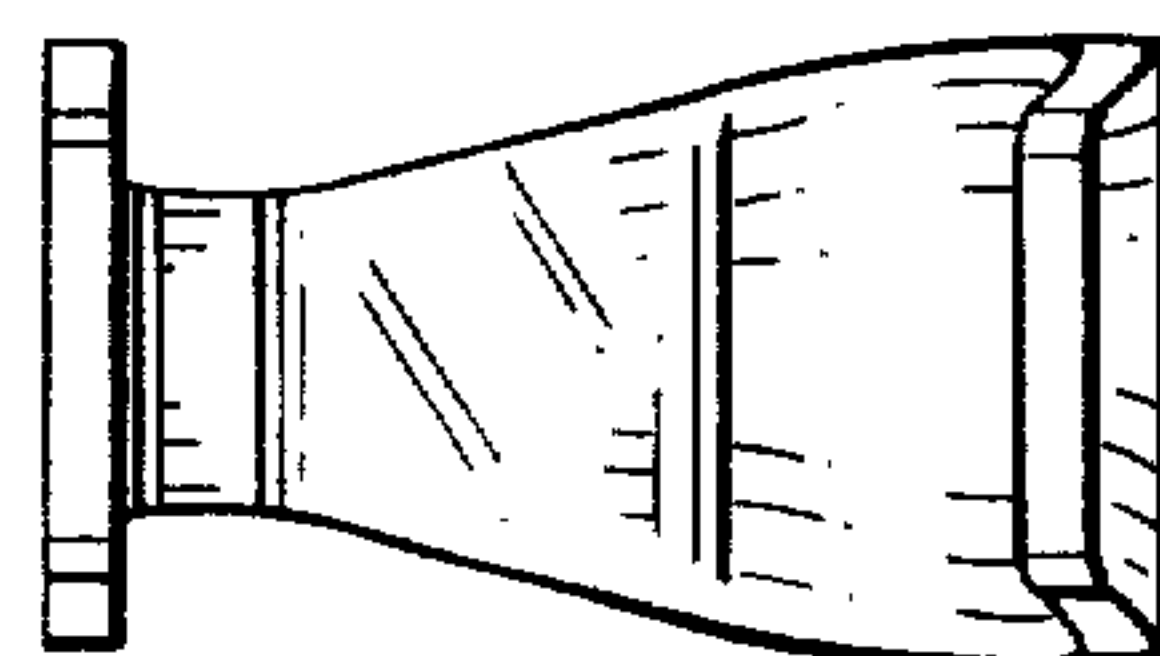


FIG. 5