

[54] **COMBINED ADVERTISING DISPLAY
STAND AND BROCHURE HOLDER**

[76] Inventor: **Michael J. Edwards**, 21 Earle St.,
Cremorne, New South Wales 2090,
Australia

[**] Term: **14 Years**

[21] Appl. No.: **136,646**

[22] Filed: **Apr. 2, 1980**

[30] **Foreign Application Priority Data**

Nov. 12, 1979 [AU] Australia 79543

[51] Int. Cl. **D06—04**

[52] U.S. Cl. **D6/146; D6/148;
D6/157; D6/184; D6/190**

[58] **Field of Search** **D6/1, 20, 23, 24, 25,
D6/27, 29, 85, 146, 147, 148, 49, 157, 172, 173,
175, 181, 185, 186, 188, 184, 189, 190; D12/22,
27, 29, 33; D20/10, 21, 27; D28/73, 77; 211/10,
13, 126, 128, 129, 131, 33, 163; 40/124, 124.1,
124.2, 124.4, 904**

[56] **References Cited**

U.S. PATENT DOCUMENTS

D. 234,475 3/1975 Markus **D6/85 X**
D. 259,082 5/1981 Corelli **D6/157 X**
3,942,647 3/1976 Crosslen **211/131 X**

OTHER PUBLICATIONS

Visual Merchandising, Mar. 1974, p. 16, Wire Rack on
Casters, top right of page.

Primary Examiner—Joel Stearman
Assistant Examiner—Carmen H. Vales
Attorney, Agent, or Firm—Ladas & Parry

[57] **CLAIM**

The ornamental design for a combined advertising dis-
play stand and brochure holder, as shown and de-
scribed.

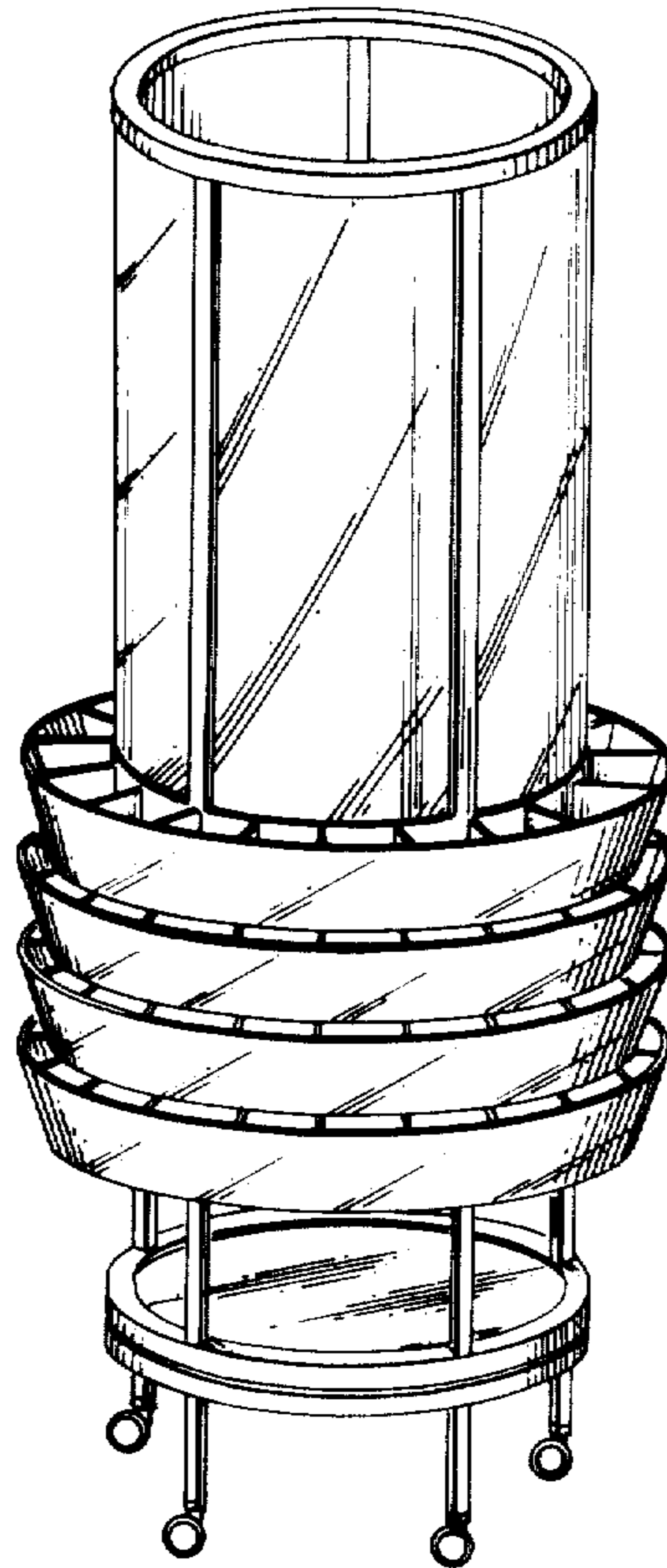
DESCRIPTION

FIG. 1 is a perspective view of a combined advertising
display stand and brochure holder, showing my new
design;

FIG. 2 is a side elevational view, the opposite side being
a mirror image thereof;

FIG. 3 is a top plan view thereof;

FIG. 4 is a bottom plan view thereof.



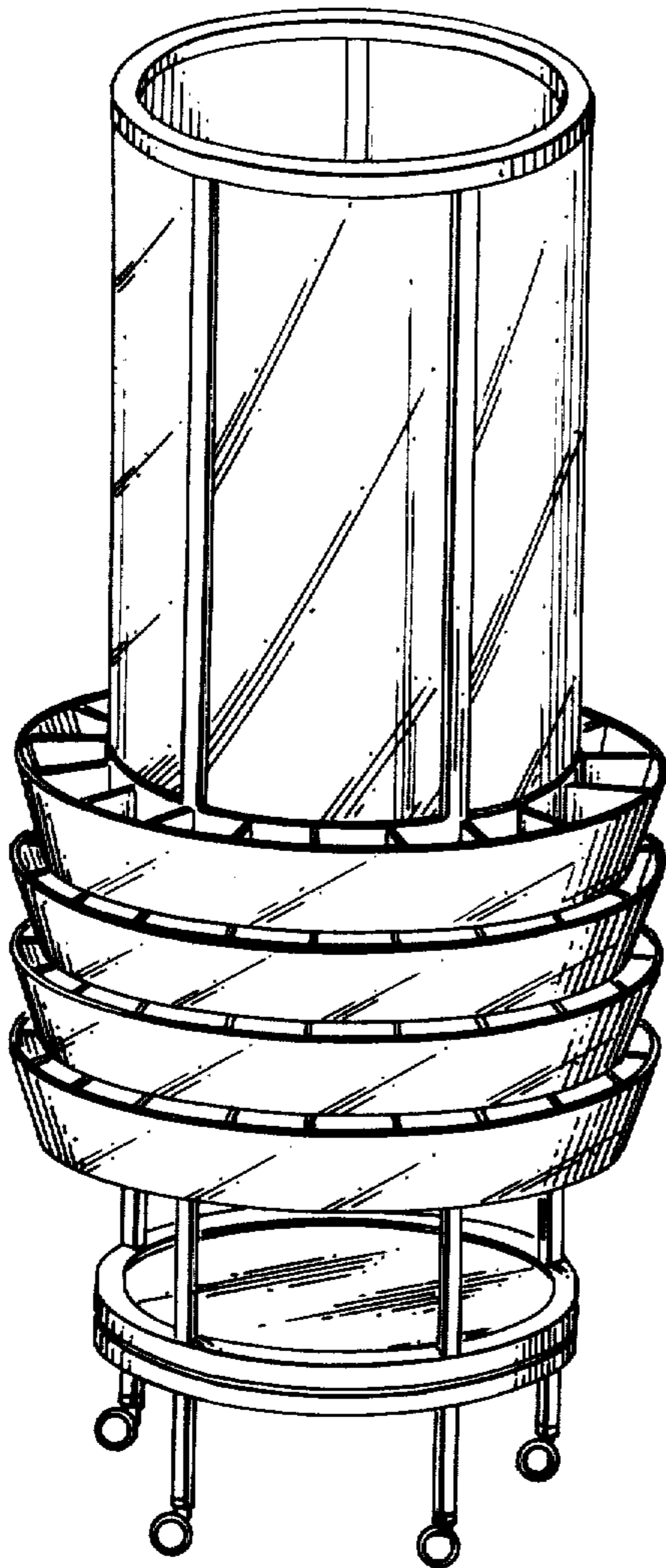


FIG. 1

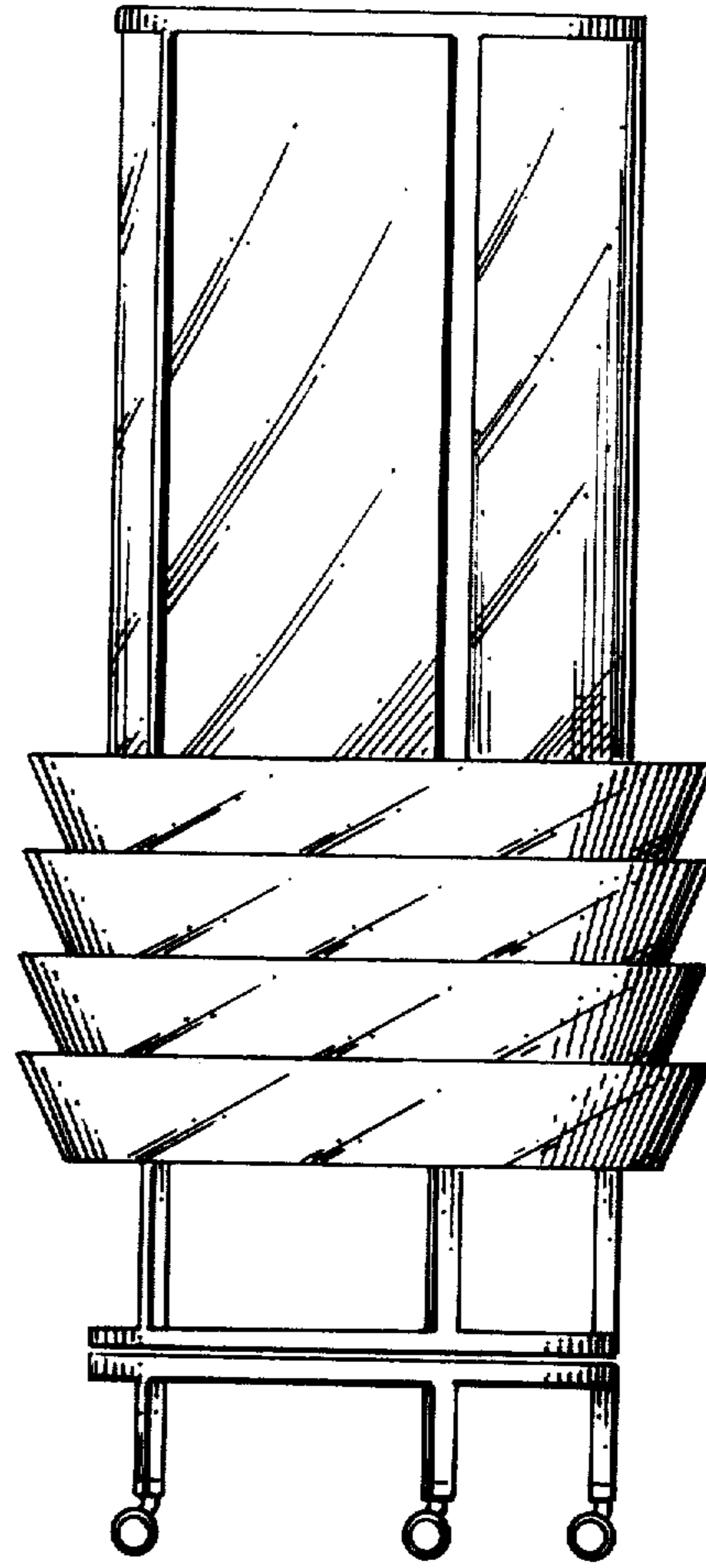


FIG. 2

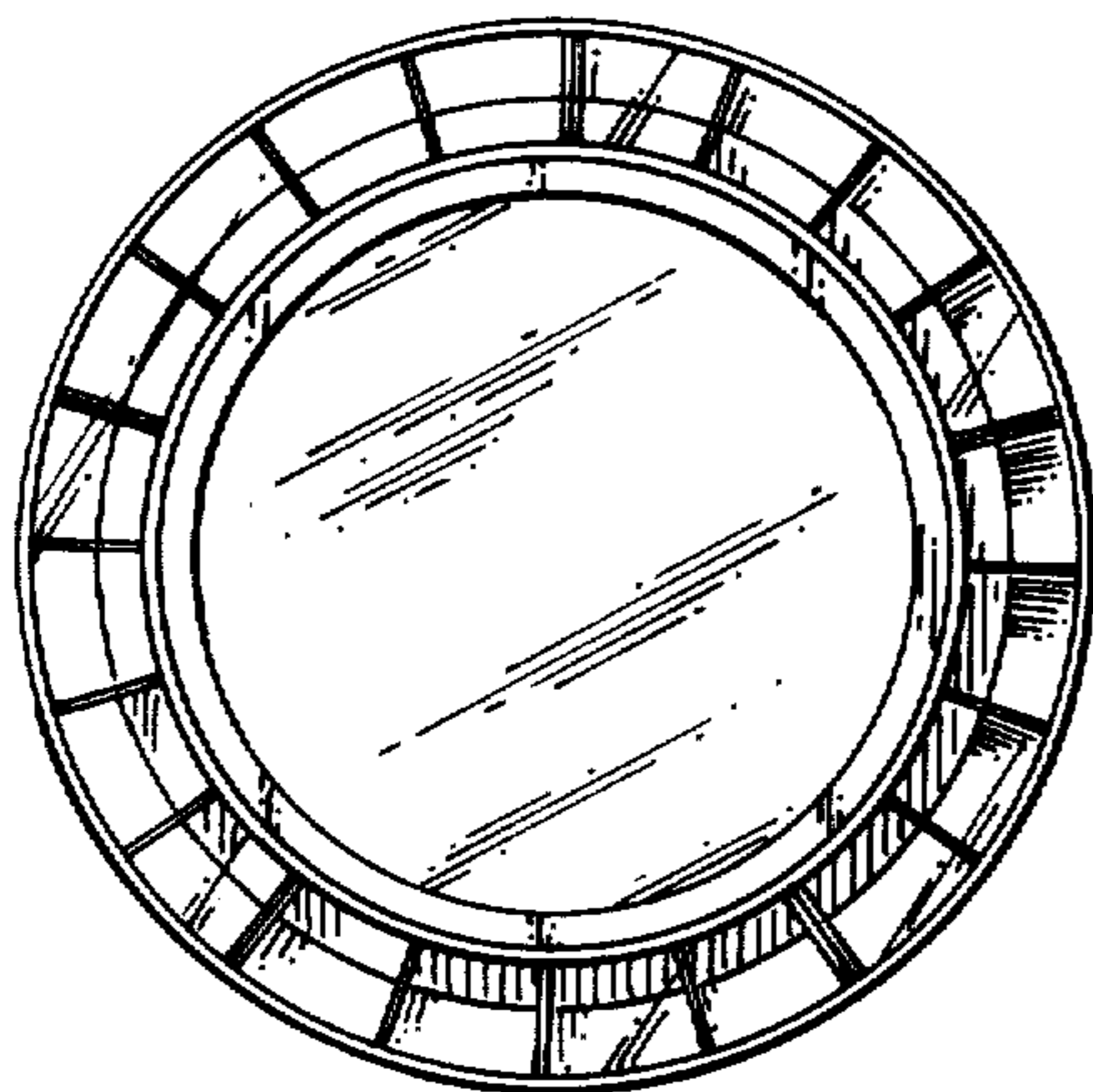


FIG. 3

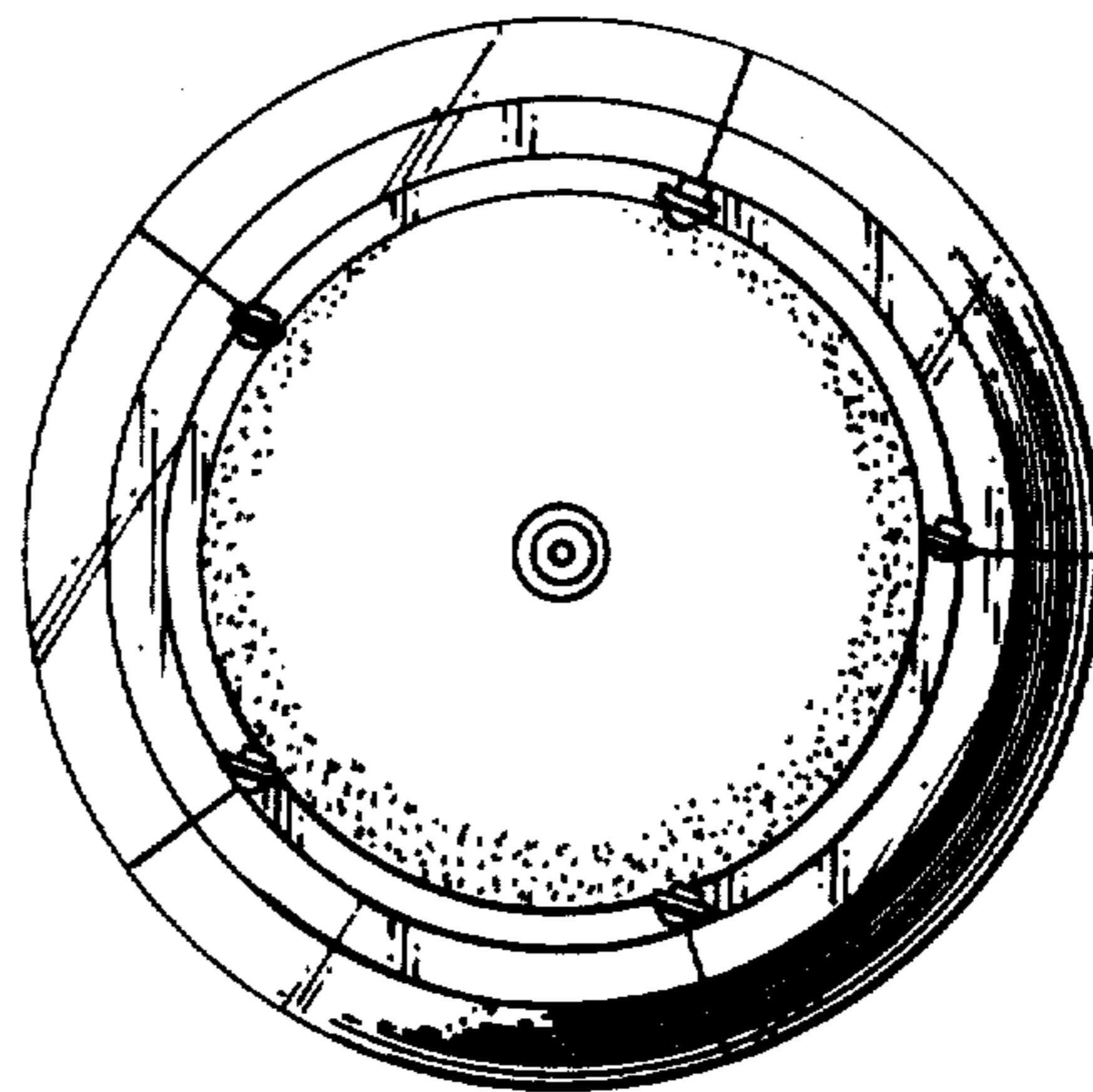


FIG. 4