

[54] SOAP DISH

[75] Inventors: Gary A. Fleischmann, Sheboygan, Wis.; Lawrence C. Peabody, Rindge, N.H.

[73] Assignee: Kohler Co., Kohler, Wis.

[**] Term: 14 Years

[21] Appl. No.: 245,330

[22] Filed: Mar. 19, 1981

| | | | | |
|------------|---------|--------------|-------|-------|
| D. 158,138 | 4/1950 | Simpson | | D6/90 |
| D. 158,139 | 4/1950 | Simpson | | D6/92 |
| D. 184,012 | 12/1958 | Hvale et al. | | D6/92 |
| D. 184,873 | 4/1959 | Hvale et al. | | D6/90 |
| D. 256,861 | 9/1980 | Ryan et al. | | D6/93 |
| 1,177,232 | 3/1916 | Chisholm | | D6/91 |

Primary Examiner—B. J. Bullock
Attorney, Agent, or Firm—Quarles & Brady

[57] CLAIM

The ornamental design for a soap dish, as shown.

DESCRIPTION

FIG. 1 is a perspective view of a soap dish showing our new design, which is mounted on a wall; FIG. 2 is a front elevational view thereof; FIG. 3 is a side elevational view thereof; FIG. 4 is a top plan view thereof; FIG. 5 is a bottom plan view thereof; FIG. 6 is a sectional view thereof taken along line 6—6 in FIG. 3 in the direction of the arrows; and FIG. 7 is a sectional view thereof taken along line 7—7 in FIG. 3 in the direction of the arrows. The fragmentary broken line representation of a wall in FIG. 1 is for purposes of illustration only.

Related U.S. Application Data

[62] Division of Ser. No. 138,836, Apr. 10, 1980, Pat. No. Des. 262,922.

[51] Int. Cl. D23—02

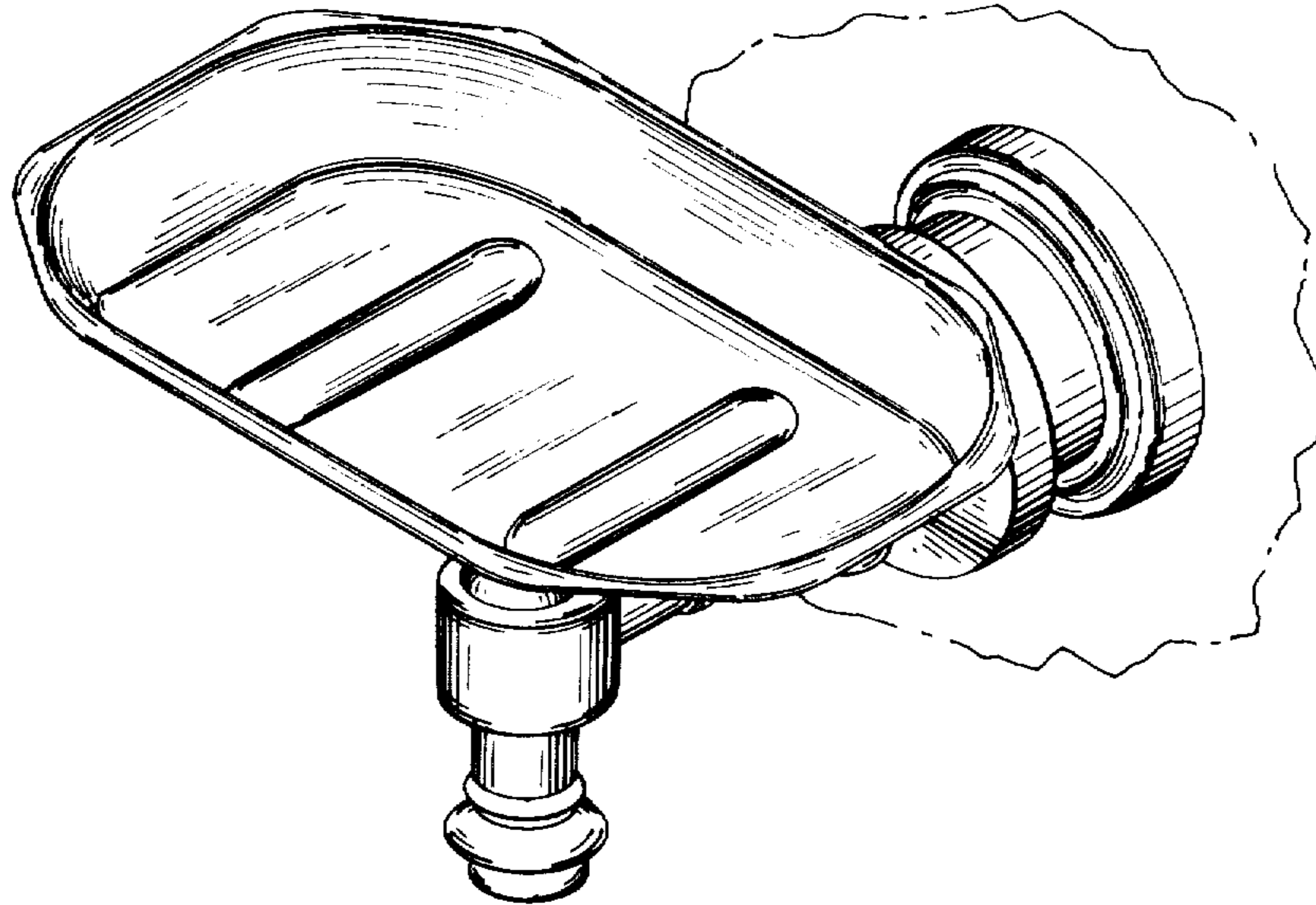
[52] U.S. Cl. D6/90

[58] Field of Search D6/86—104,
D6/114, 125; D7/70; 206/77.1; 211/13, 87, 88;
248/309 R, 311.2, 312

[56] References Cited

U.S. PATENT DOCUMENTS

D. 139,145 10/1944 Sadowski D6/99



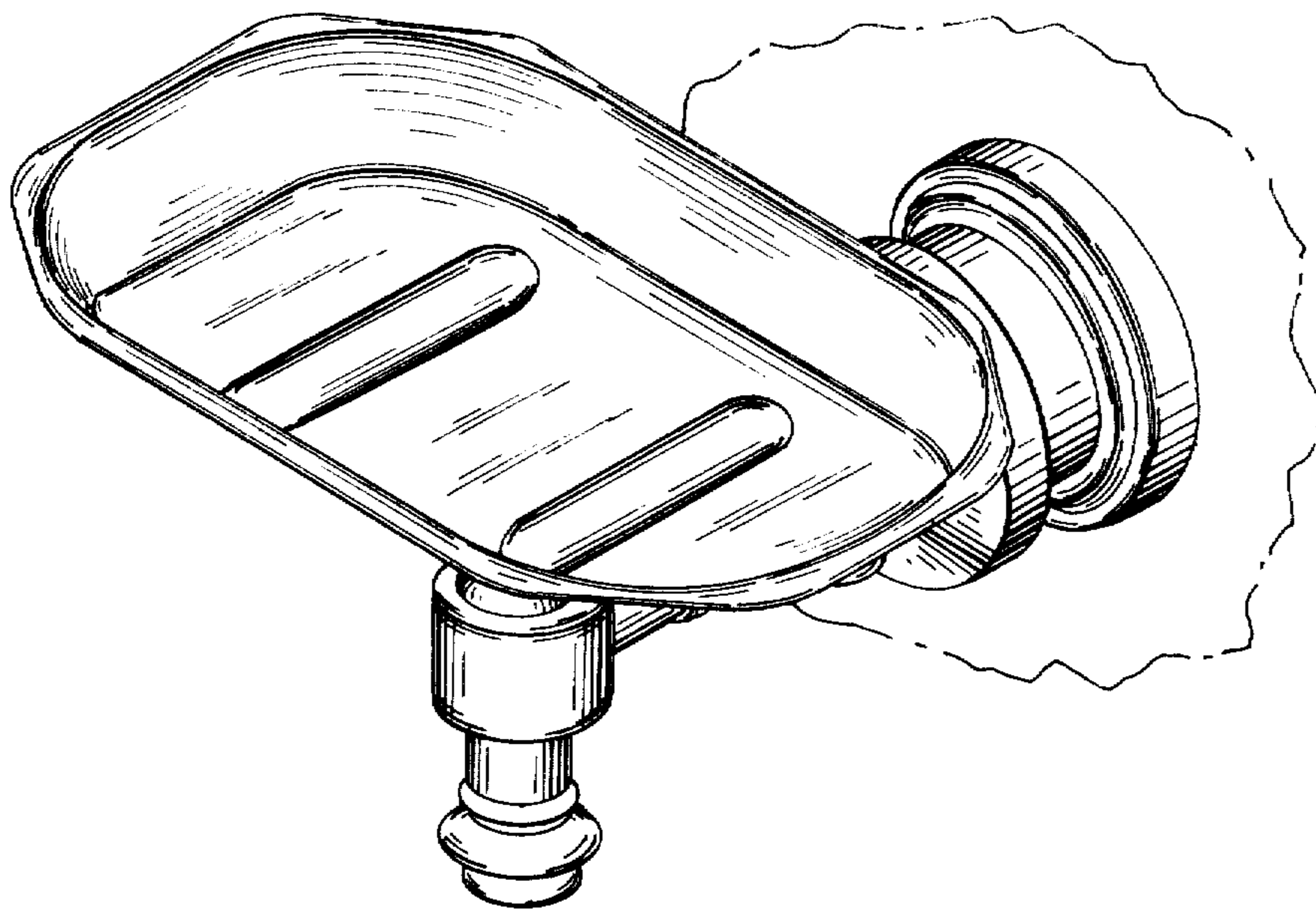


Fig. 1

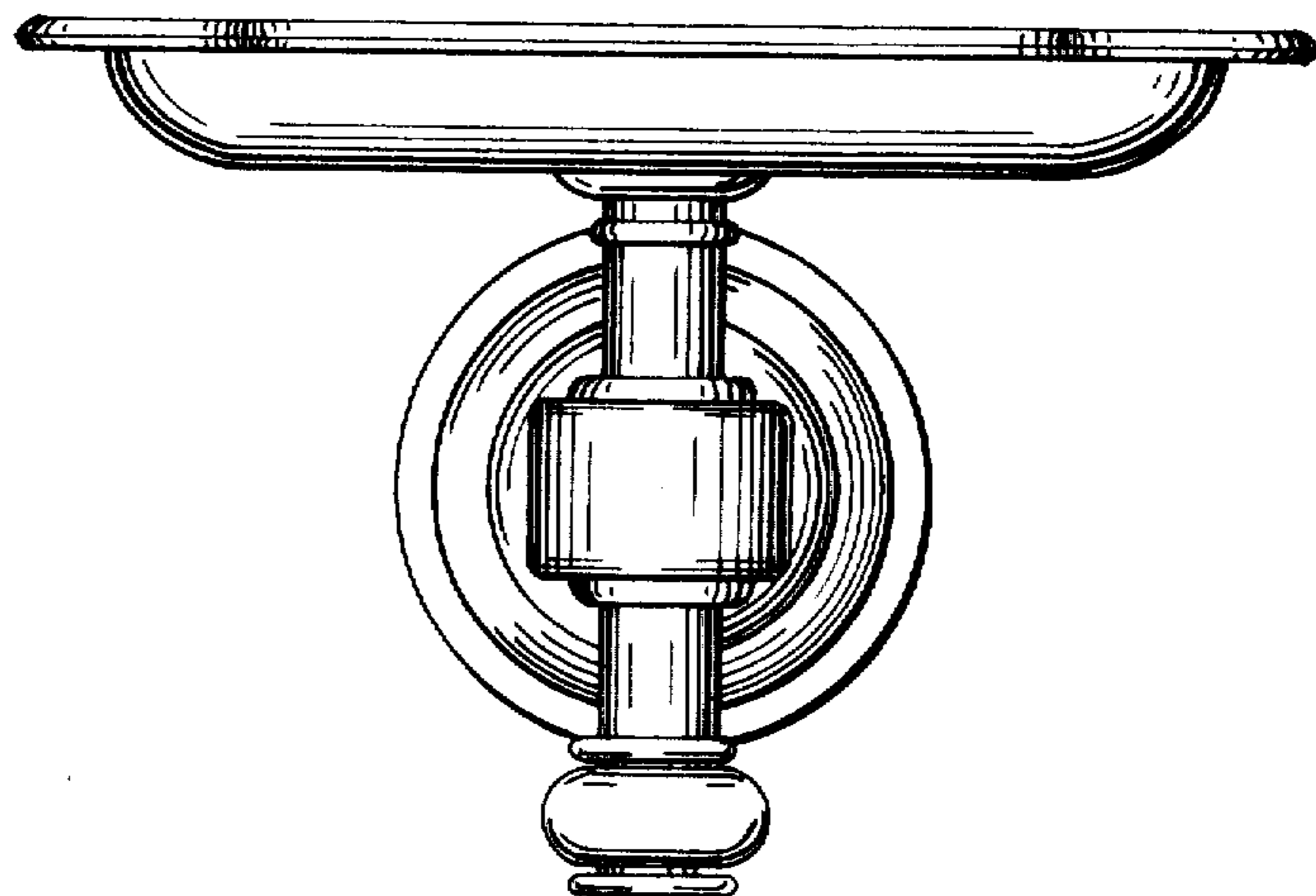


Fig. 2

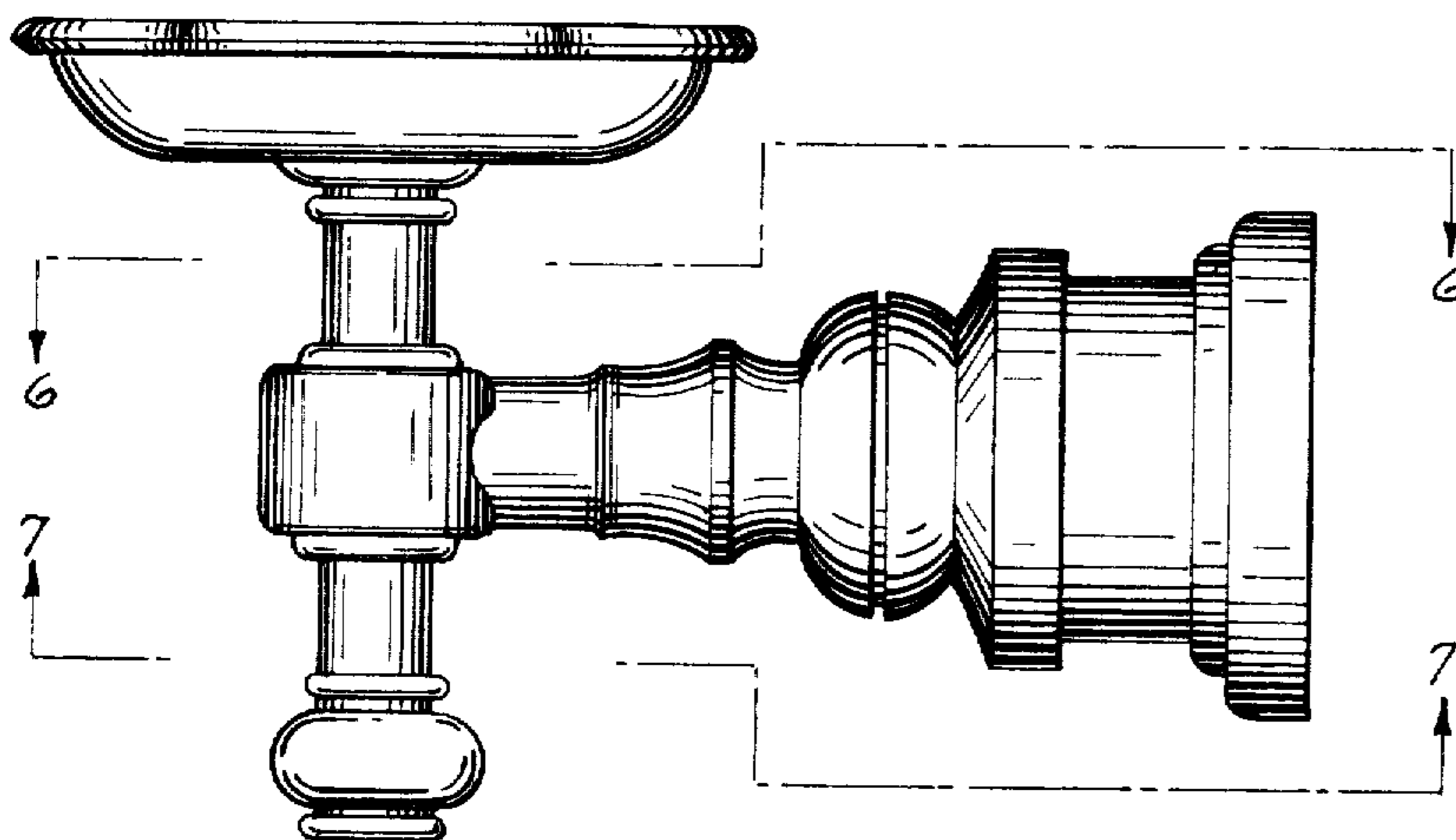


Fig. 3

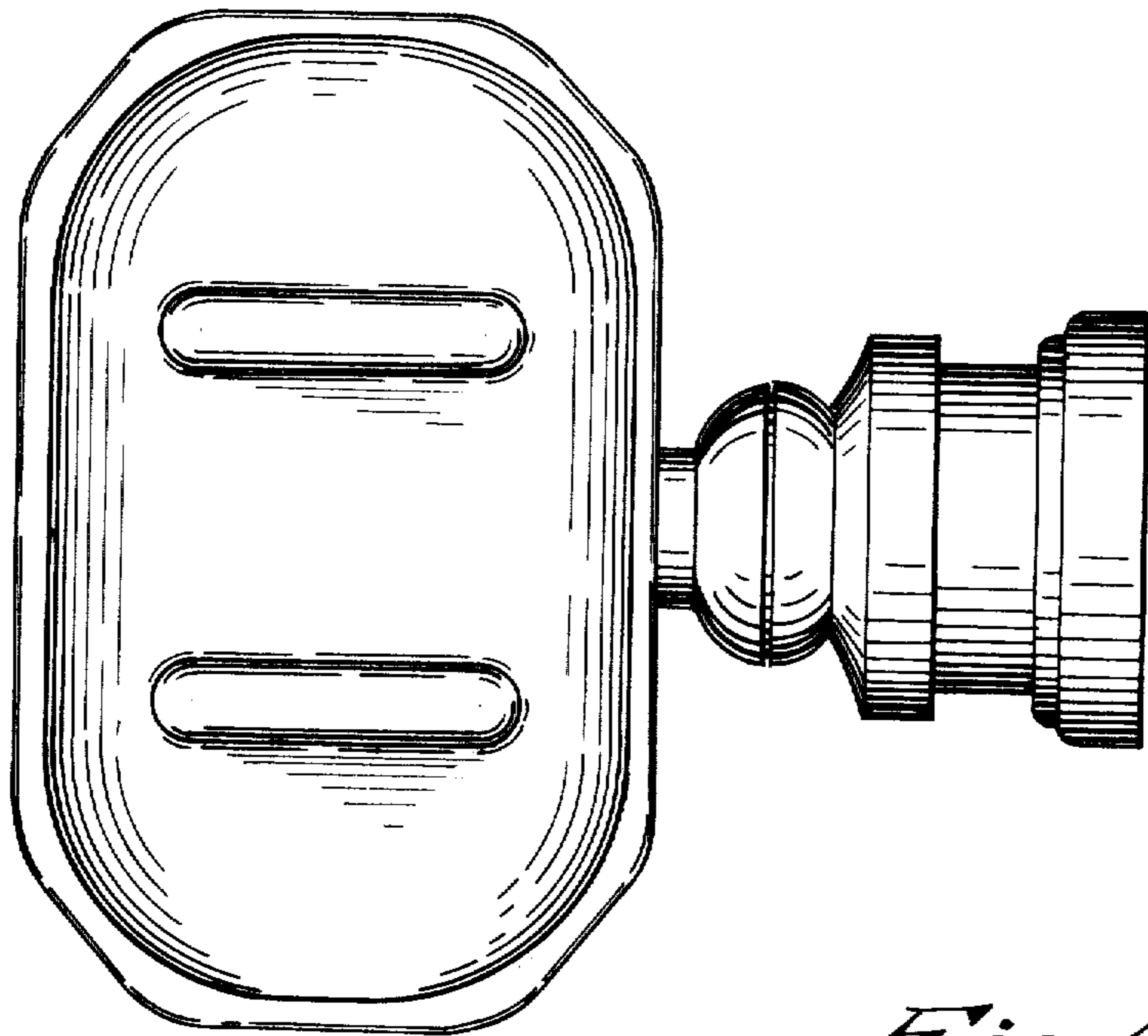


Fig. 4

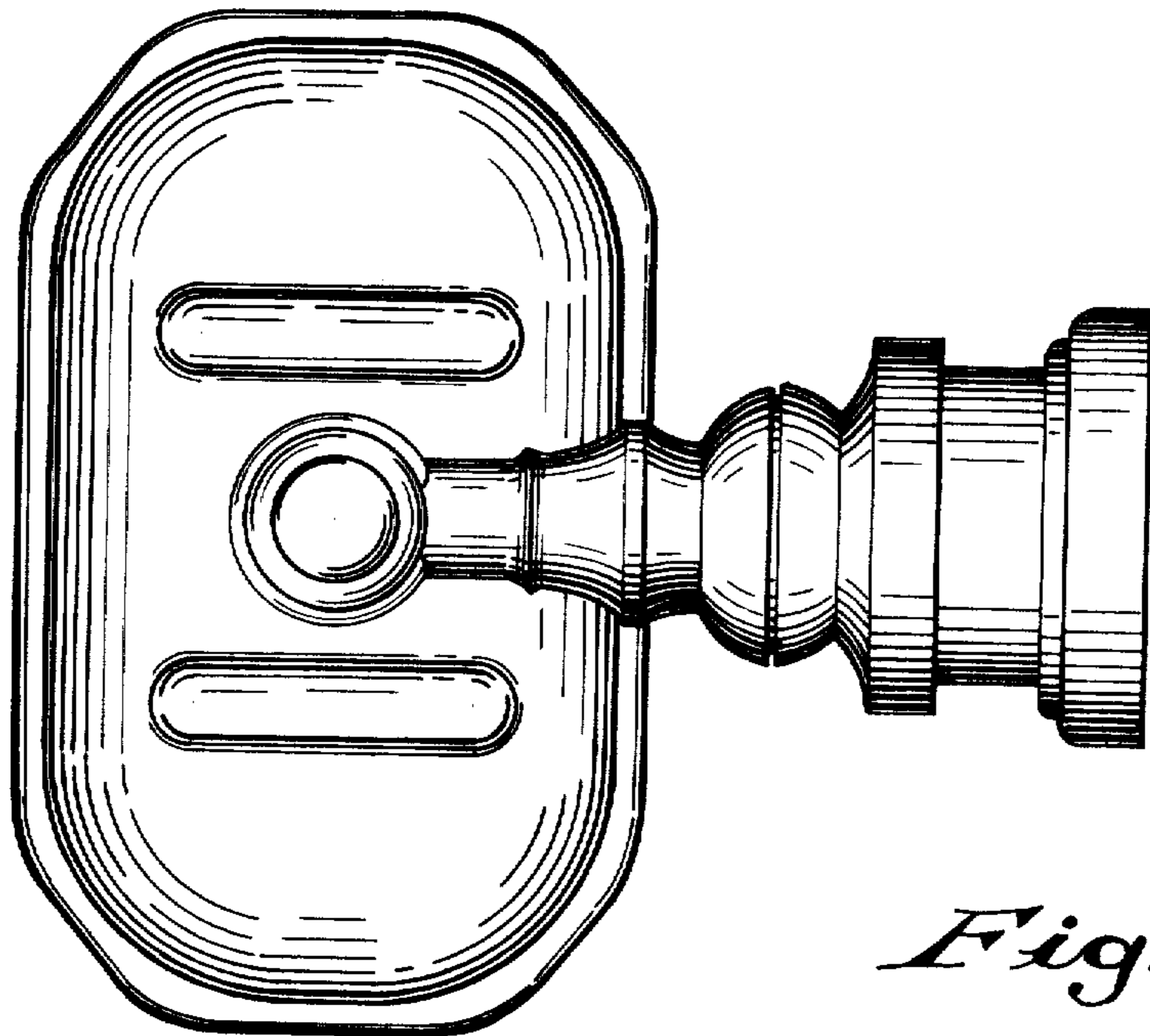


Fig. 5

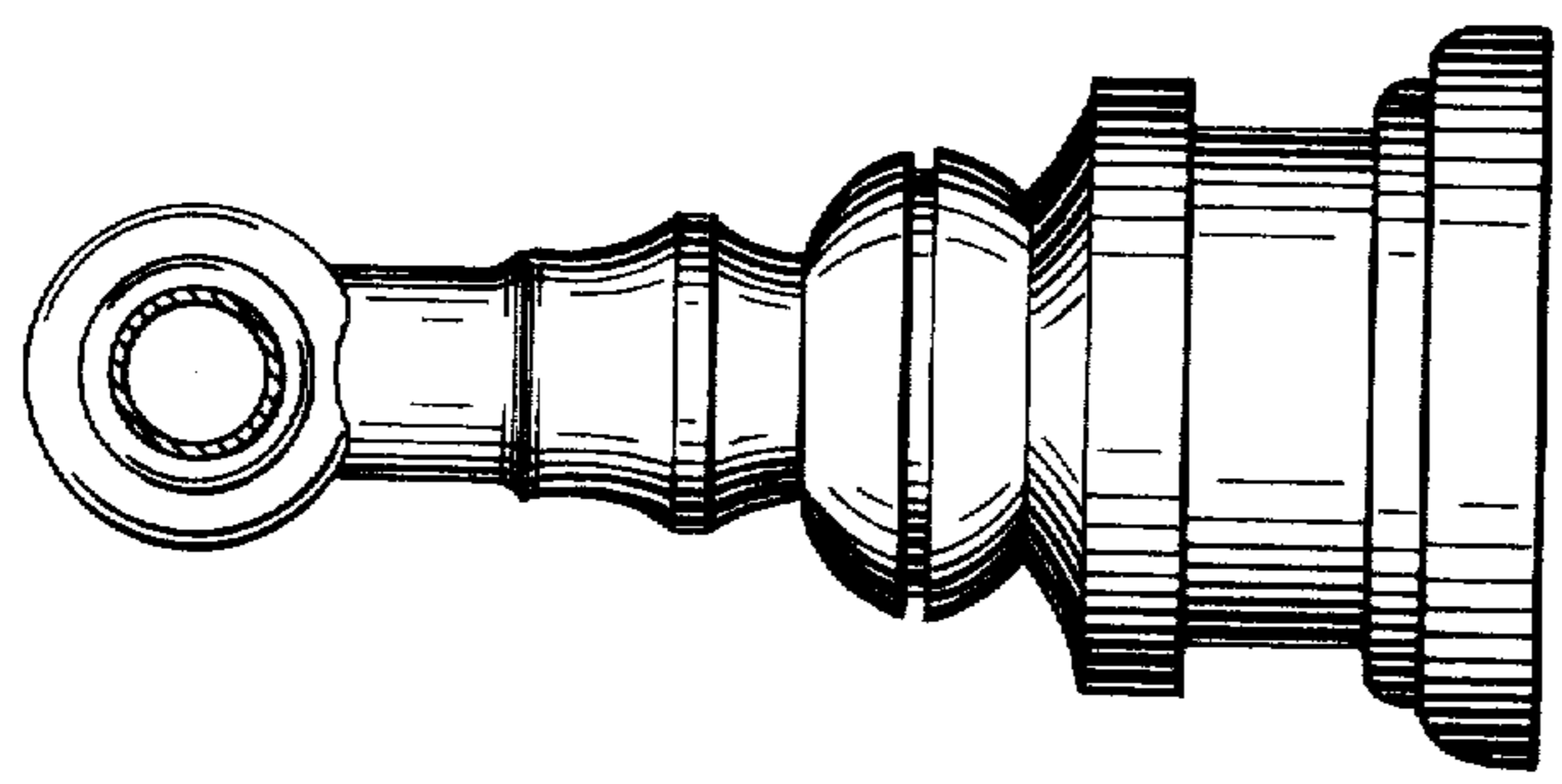


Fig. 6

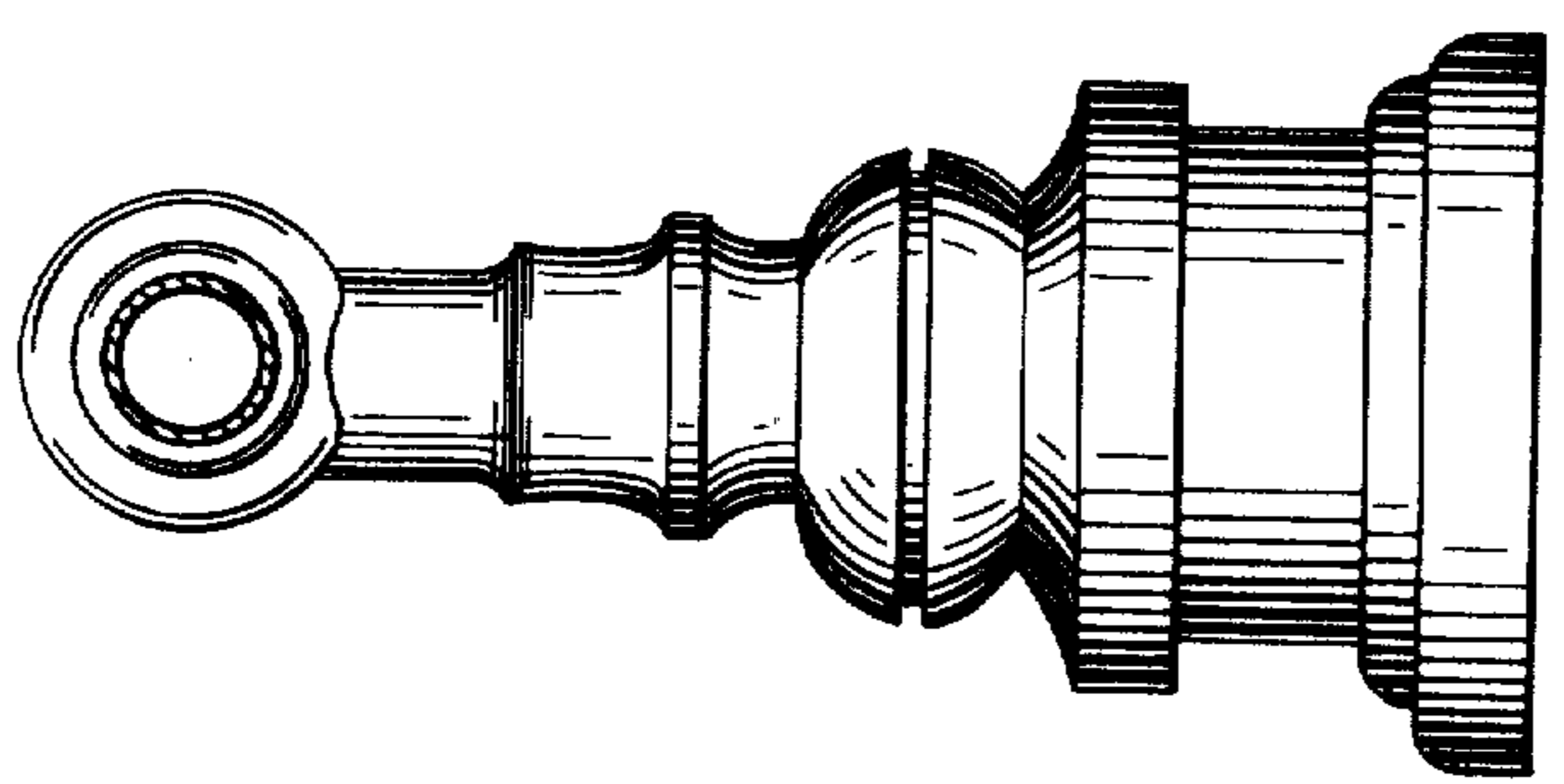


Fig. 7