

[54] PORTABLE DENTAL HYGIENE KIT

[75] Inventor: John Wink, Kitchener, Canada

[73] Assignee: Anja Marketing Inc., Waterloo, Canada

[\*\*] Term: 14 Years

[21] Appl. No.: 141,967

[22] Filed: Apr. 21, 1980

[30] Foreign Application Priority Data

Jan. 8, 1980 [CA] Canada ..... 08-01-80-1

[51] Int. Cl. .... D4-02

[52] U.S. Cl. .... D4/18

[58] Field of Search ..... D4/18, 24, 25; 132/84;  
206/361, 38, 362.2, 362.3, 229, 277, 368; 15/159  
R, 159 A, 160, 167 R, 184

[56] References Cited

U.S. PATENT DOCUMENTS

D. 258,852 4/1981 Clark ..... D4/18  
1,339,265 5/1920 Levitan ..... D4/18 X  
1,505,363 8/1924 Mather ..... D4/18 X

2,468,733 5/1949 Boulicault ..... D4/18 X  
3,842,851 10/1974 Pipitone ..... 132/84 A

FOREIGN PATENT DOCUMENTS

1056111 6/1979 Canada ..... 206/361

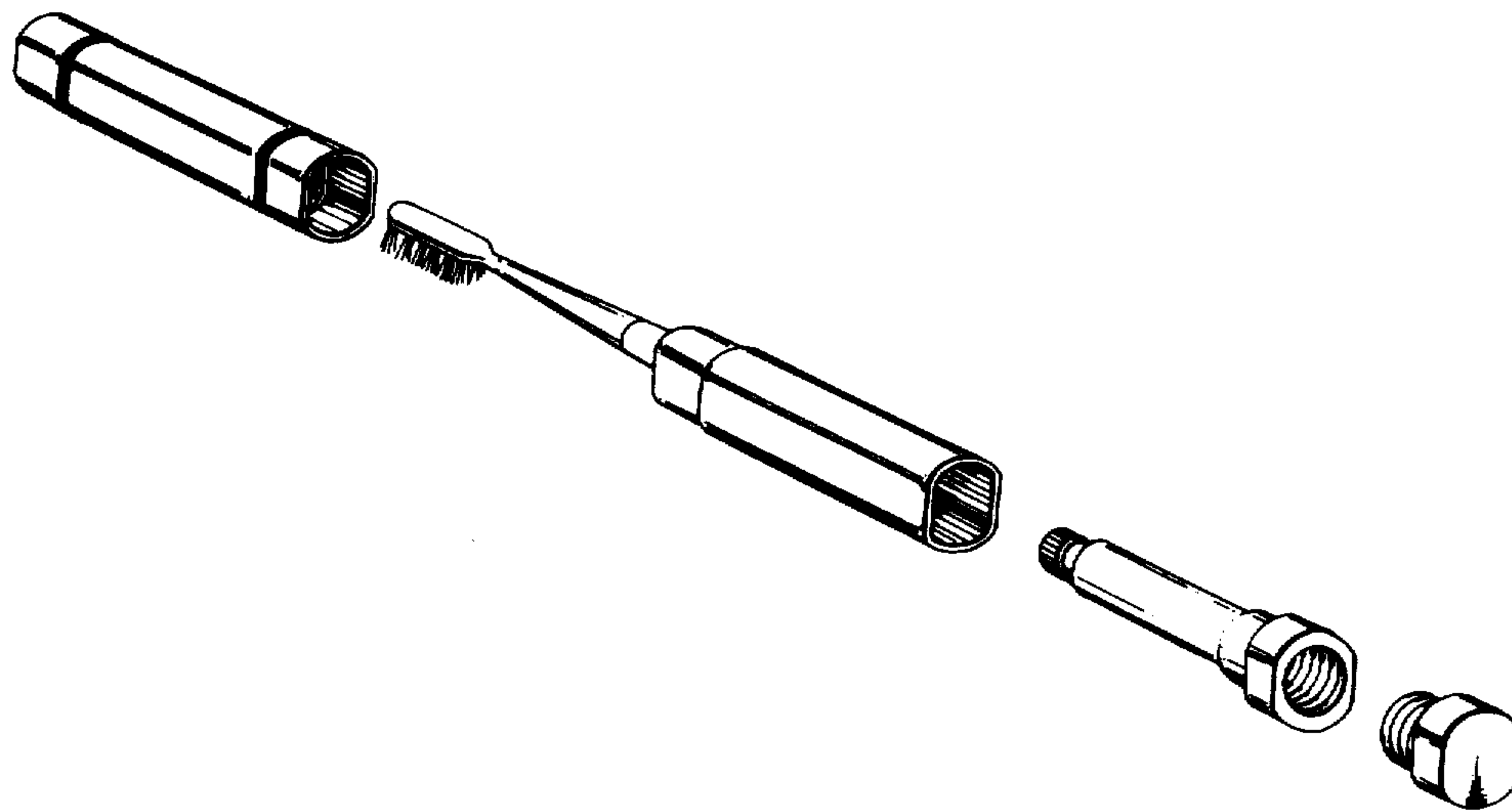
Primary Examiner—Catherine E. Kemper  
Attorney, Agent, or Firm—Edward D. O'Brian; K. H. Boswell

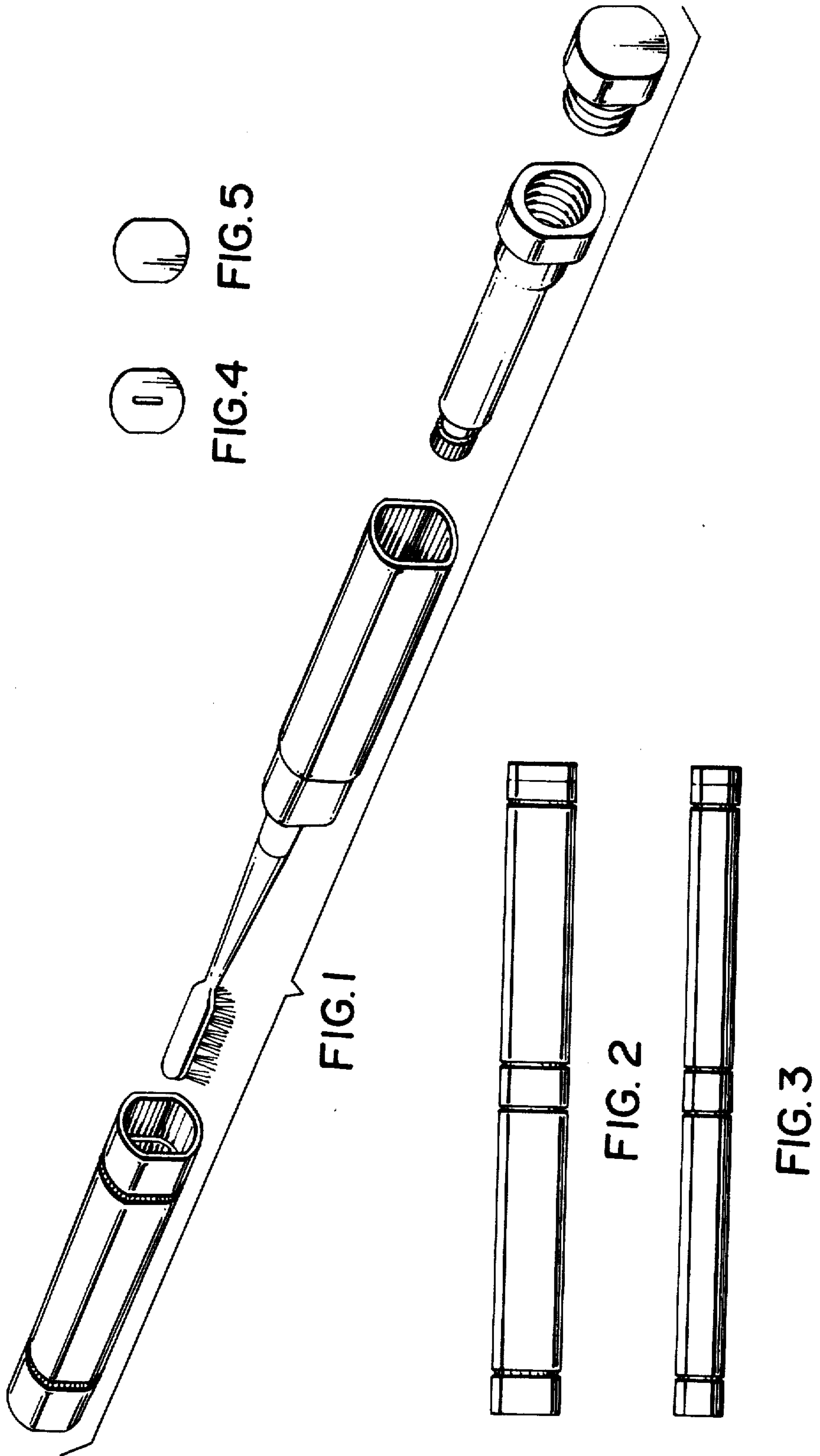
[57] CLAIM

The ornamental design for a portable dental hygiene kit, substantially as shown and described.

DESCRIPTION

FIG. 1 is an exploded perspective view of a portable dental hygiene kit, showing my new design;  
FIG. 2 is a side elevational view of the portable dental hygiene kit as it appears when assembled;  
FIG. 3 is a top plan view thereof;  
FIG. 4 is a front end elevational view thereof;  
FIG. 5 is a rear end elevational view thereof;  
FIG. 6 is an exploded perspective view of the portable dental hygiene kit, taken from the side opposite that shown in FIG. 1.





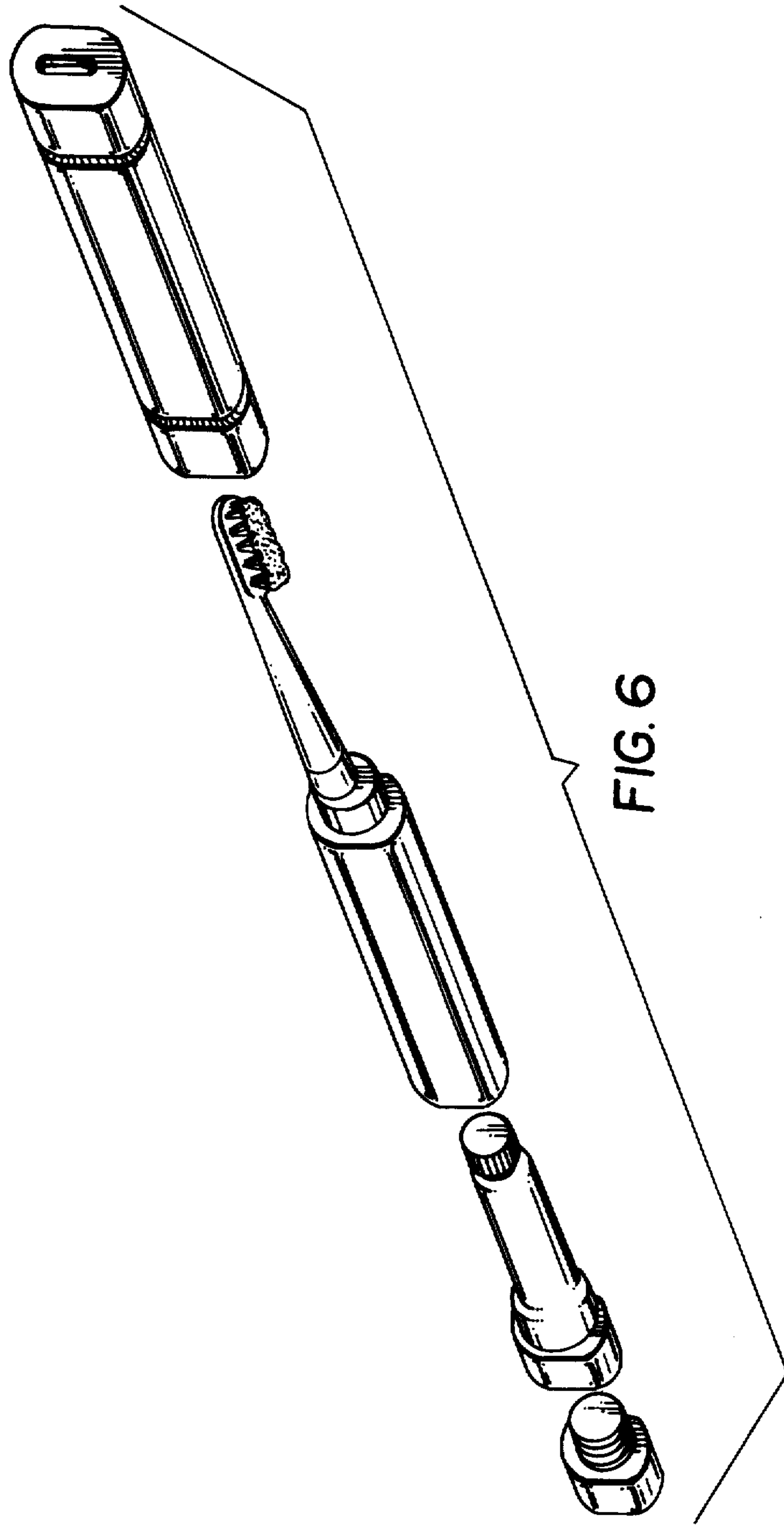


FIG. 6