

[54] ROLLER

[75] Inventor: Donald Neville, Manhattan Beach, Calif.

[73] Assignee: Plastiglide Manufacturing Corporation, Hawthorne, Calif.

[**] Term: 14 Years

[21] Appl. No.: 901,741

[22] Filed: May 1, 1978

[51] Int. Cl. D12-05; D8-08

[52] U.S. Cl. D34/29; D8/377;
D8/375; D12/135

[58] Field of Search D8/375, 377, 400, 499;
D12/58; 193/37; 16/45

[56] References Cited

U.S. PATENT DOCUMENTS

2,948,914 8/1960 Fitkin, Jr. 16/45

OTHER PUBLICATIONS

Thomas Truck Catalog No. 60, p. 82, wheel, top left, side of page and p. 79, wheel No. 3, top right side of page.

Primary Examiner—James M. Gandy
Attorney, Agent, or Firm—Charles H. Schwartz;
Ellsworth R. Roston

[57] CLAIM

The ornamental design for a roller, as shown.

DESCRIPTION

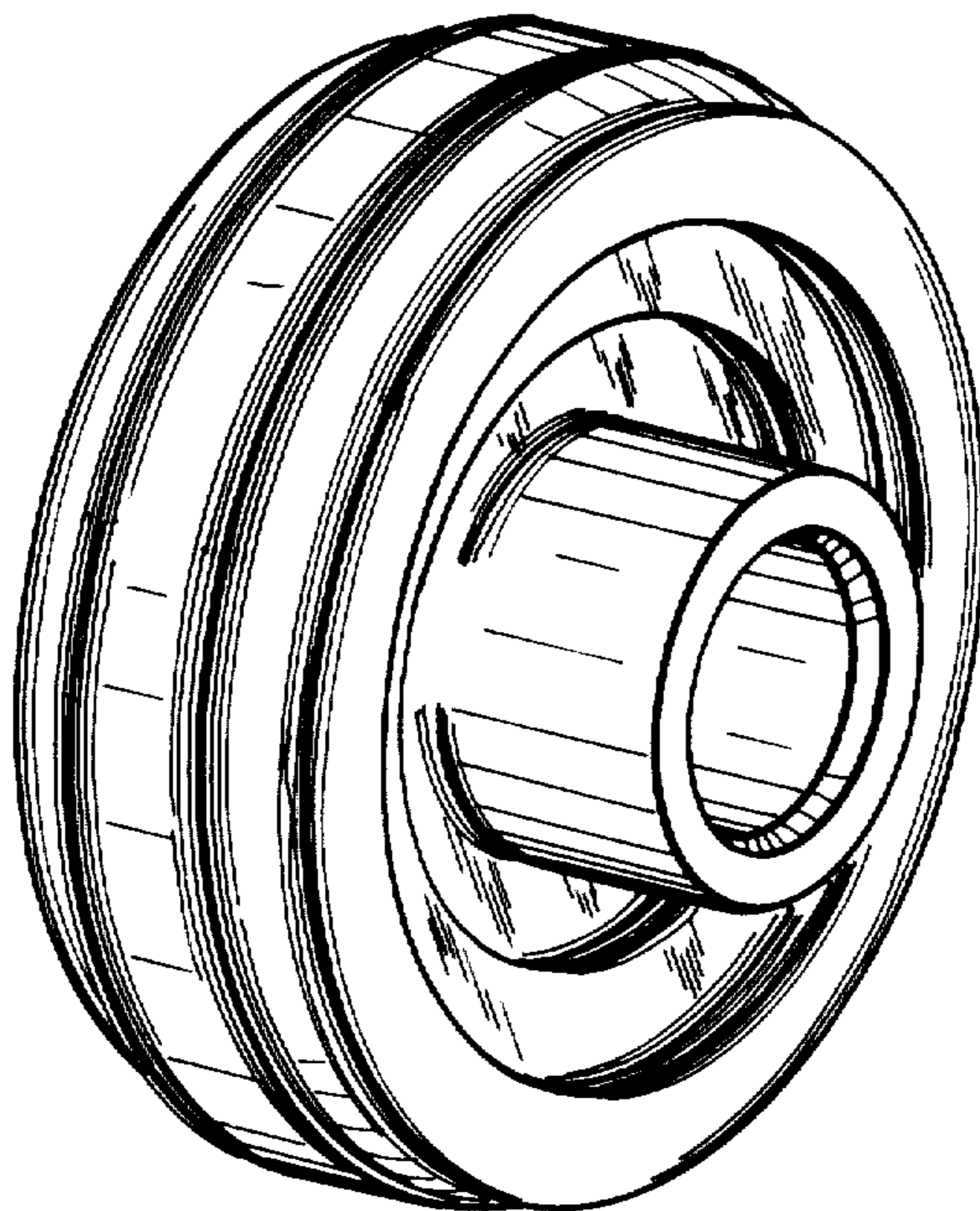
FIG. 1 is a perspective view of one side of a roller showing my new design;

FIG. 2 is an end elevational view thereof;

FIG. 3 is a side elevational view thereof;

FIG. 4 is a perspective view thereof of the side opposite to that shown in FIG. 1; and

FIG. 5 is a side elevational view of FIG. 4.



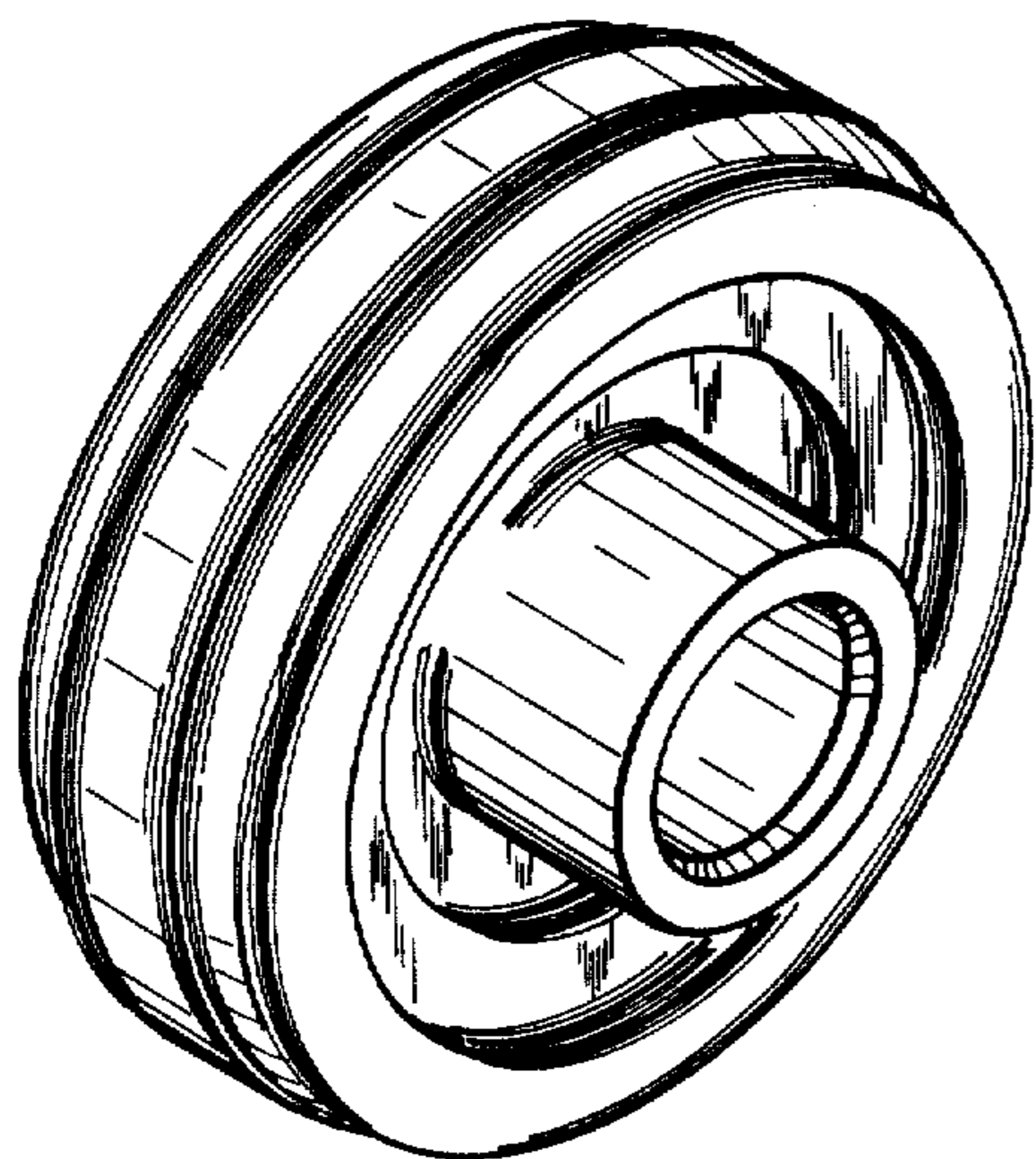


Fig. 1

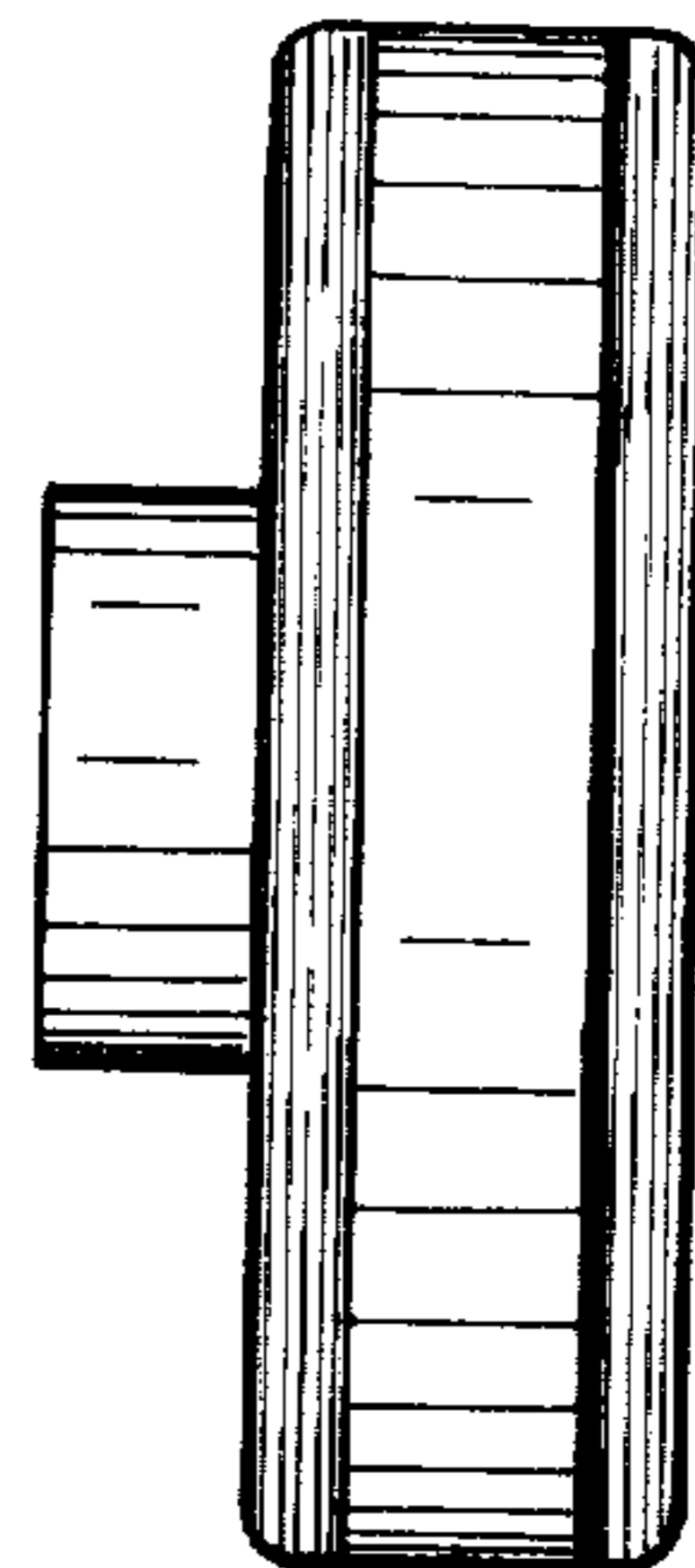


Fig. 2

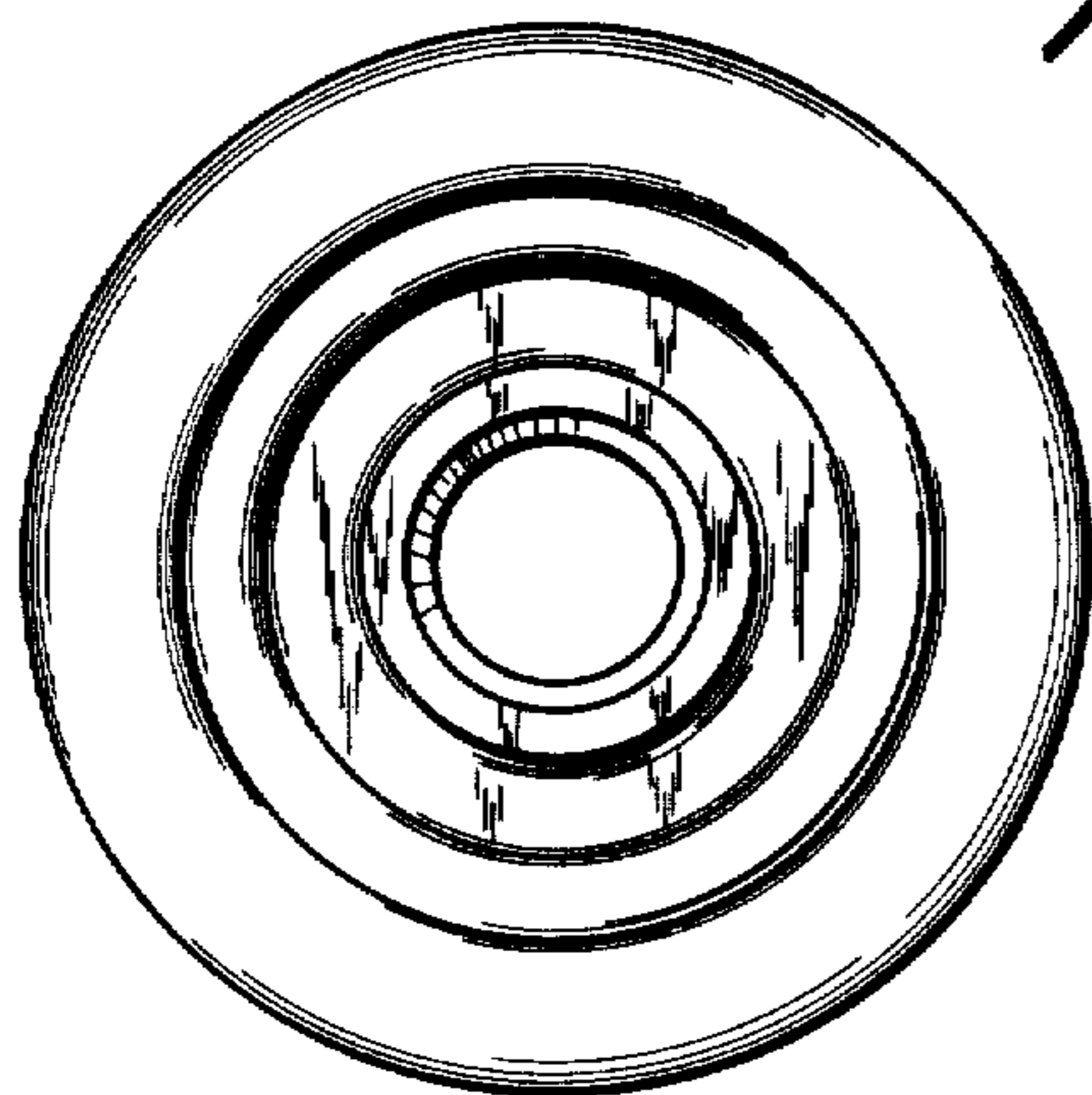


Fig. 3

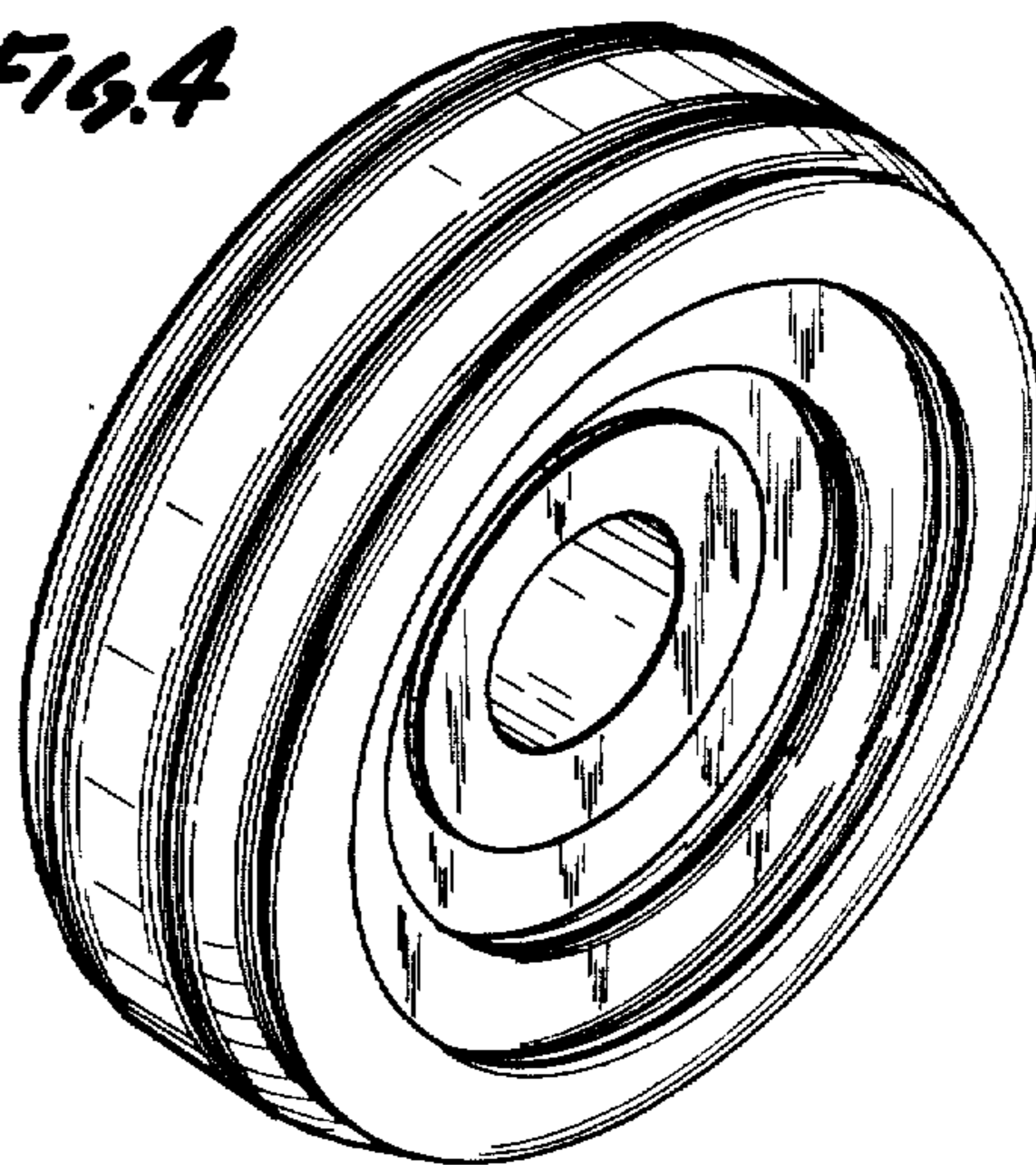


Fig. 4

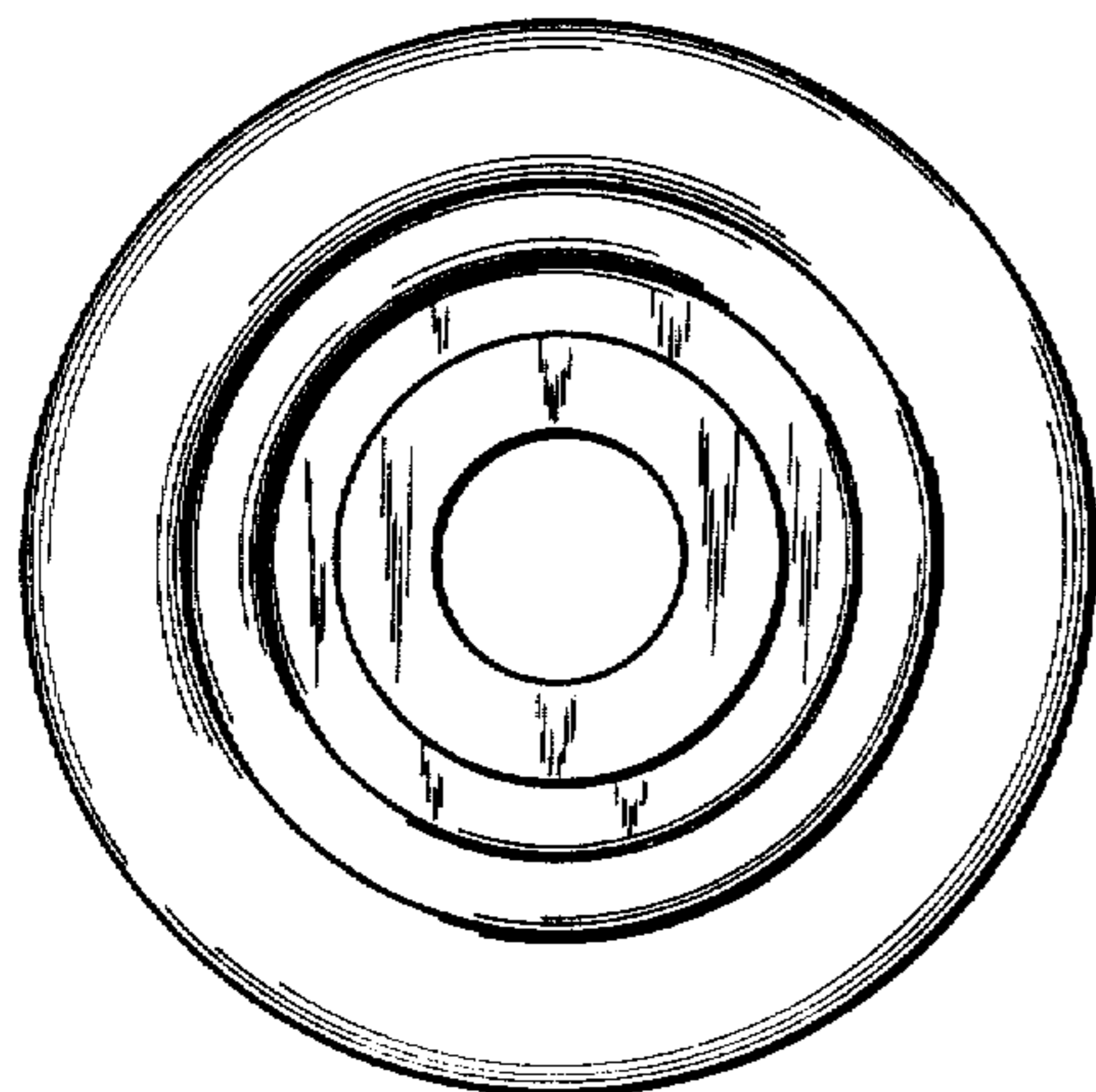


Fig. 5