

[54] **FLOOR PANEL FOR A PIG SHED**
 [75] Inventor: **Franz Bartscher**, Geseke, Fed. Rep. of Germany
 [73] Assignee: **Josef Schonlau Maschinenfabrik-und Eisengiesserei**, Fed. Rep. of Germany
 [**] Term: **14 Years**
 [21] Appl. No.: **90,269**
 [22] Filed: **Nov. 1, 1979**
 [51] Int. Cl. **D30-02**
 [52] U.S. Cl. **D30/2; D25/88**
 [58] Field of Search **D30/1, 2, 99; D25/87, D25/88, 89, 90; 119/28**

3,633,548 1/1972 Kepple 119/28
 3,921,356 11/1975 Van Schoyck 119/28
 4,176,622 12/1979 Wolf 119/28
 4,182,271 1/1980 Dodge et al. 119/28

FOREIGN PATENT DOCUMENTS

17929 10/1980 European Pat. Off. 119/28
 2806341 9/1979 Fed. Rep. of Germany 119/28

Primary Examiner—James R. Largen
Attorney, Agent, or Firm—McGlew and Tuttle

[57] **CLAIM**

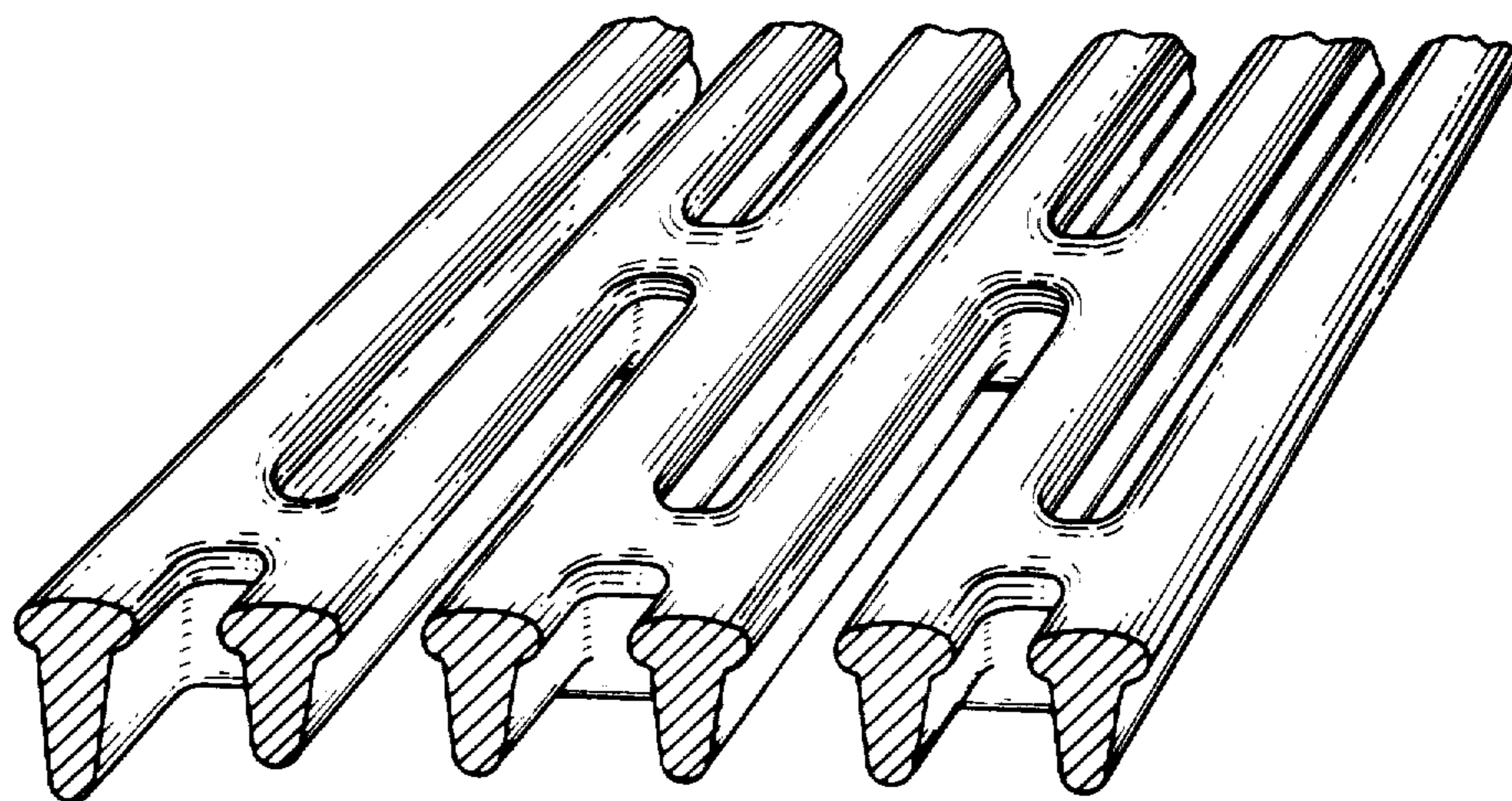
The ornamental design for a floor panel for a pig shed, as shown and described.

DESCRIPTION

FIG. 1 is a top plan view of a floor panel for a pig shed showing my new design;
 FIG. 2 is an elevational view taken from one side thereof, the opposite side being the same as the side shown;
 FIG. 3 is an elevational view taken from one end thereof, the opposite end being the same as the end shown;
 FIG. 4 is a bottom plan view thereof; and
 FIG. 5 is an enlarged fragmentary perspective view thereof.

[56] **References Cited**
U.S. PATENT DOCUMENTS

D. 183,574 9/1958 Liskey, Jr. D25/90
 D. 207,993 6/1967 Bogan, Jr. D25/90
 D. 241,297 9/1976 Maslow D25/90
 D. 246,388 11/1977 Shivers D25/80
 D. 253,968 1/1980 Bogan, Jr. D25/90
 625,869 5/1899 Buckley D25/90 X
 3,039,575 6/1962 Graham D25/90 X



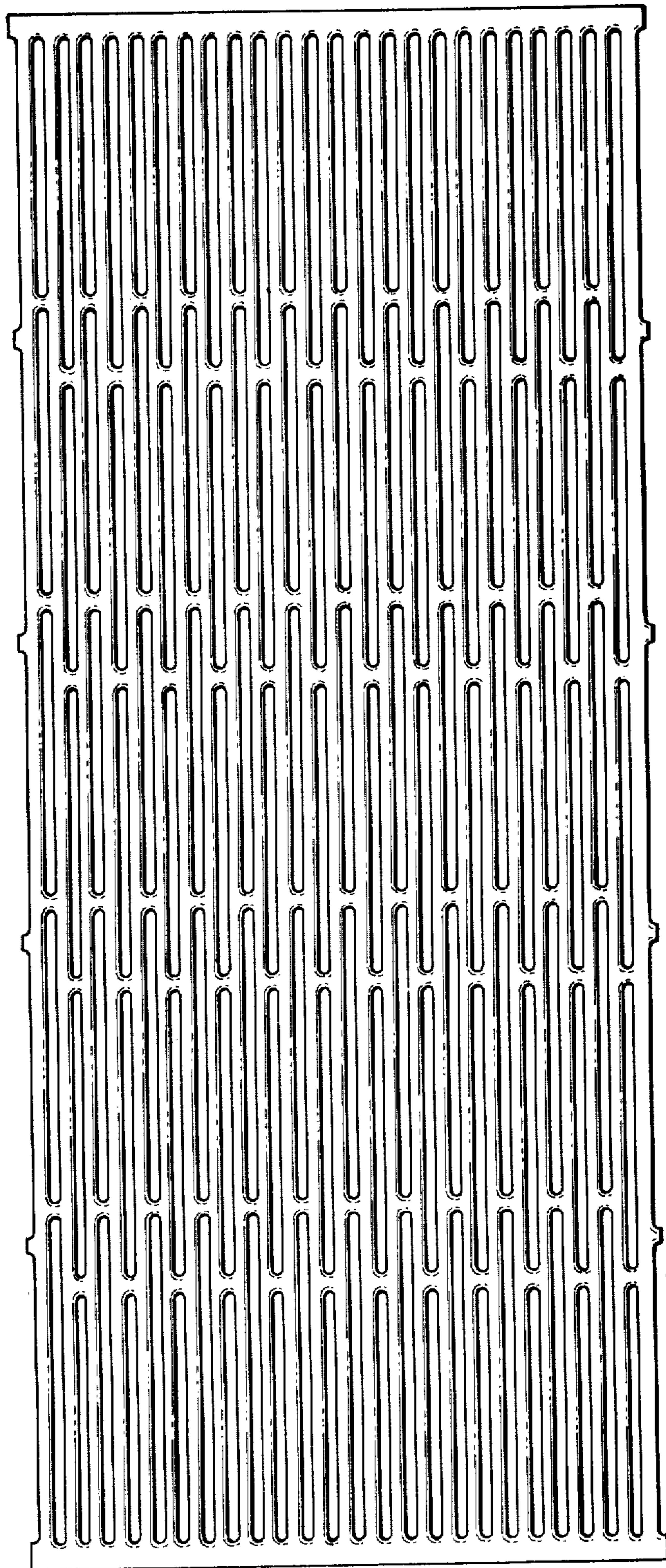


FIG.1

FIG.2



FIG. 3

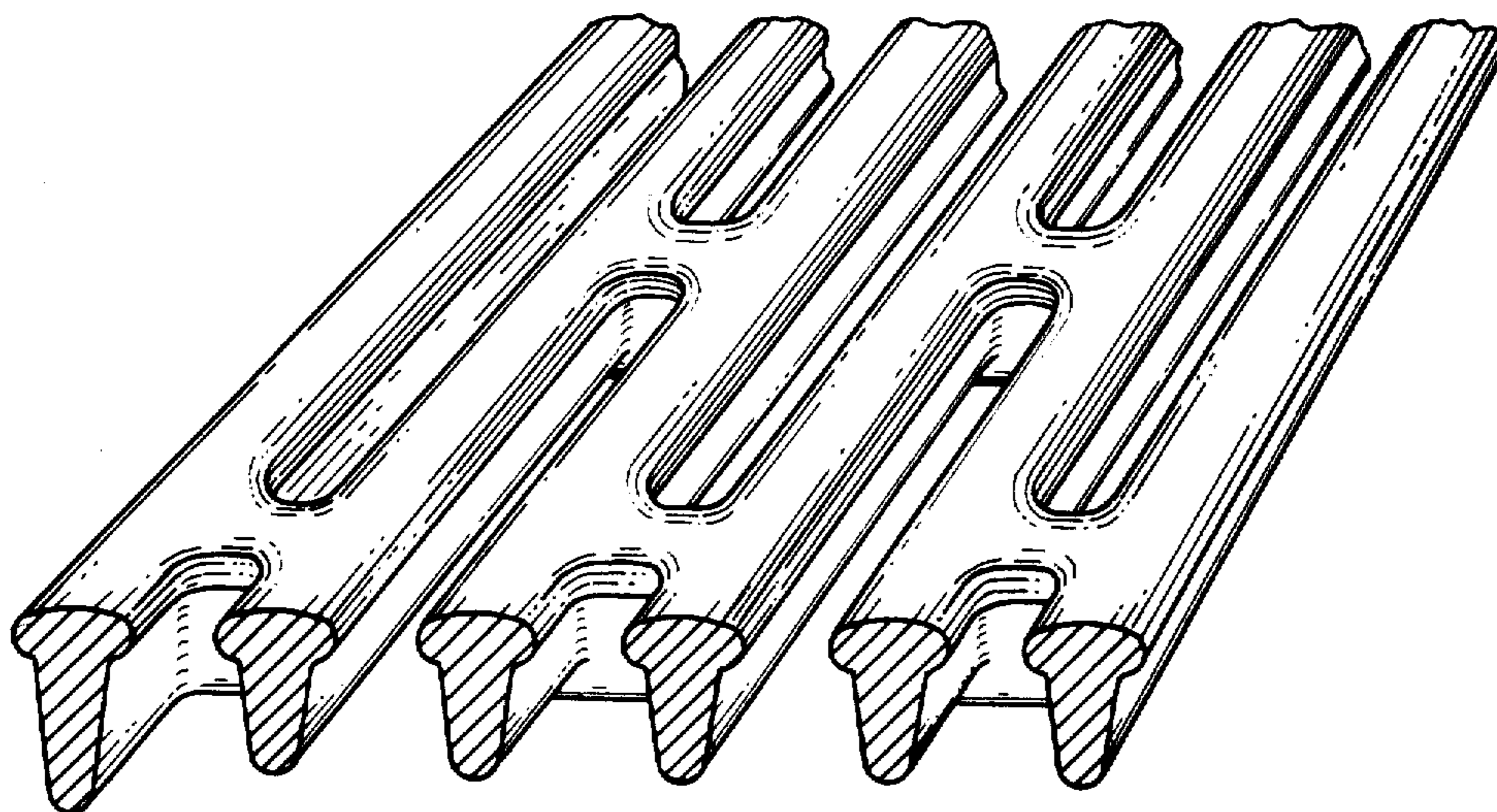


FIG. 5

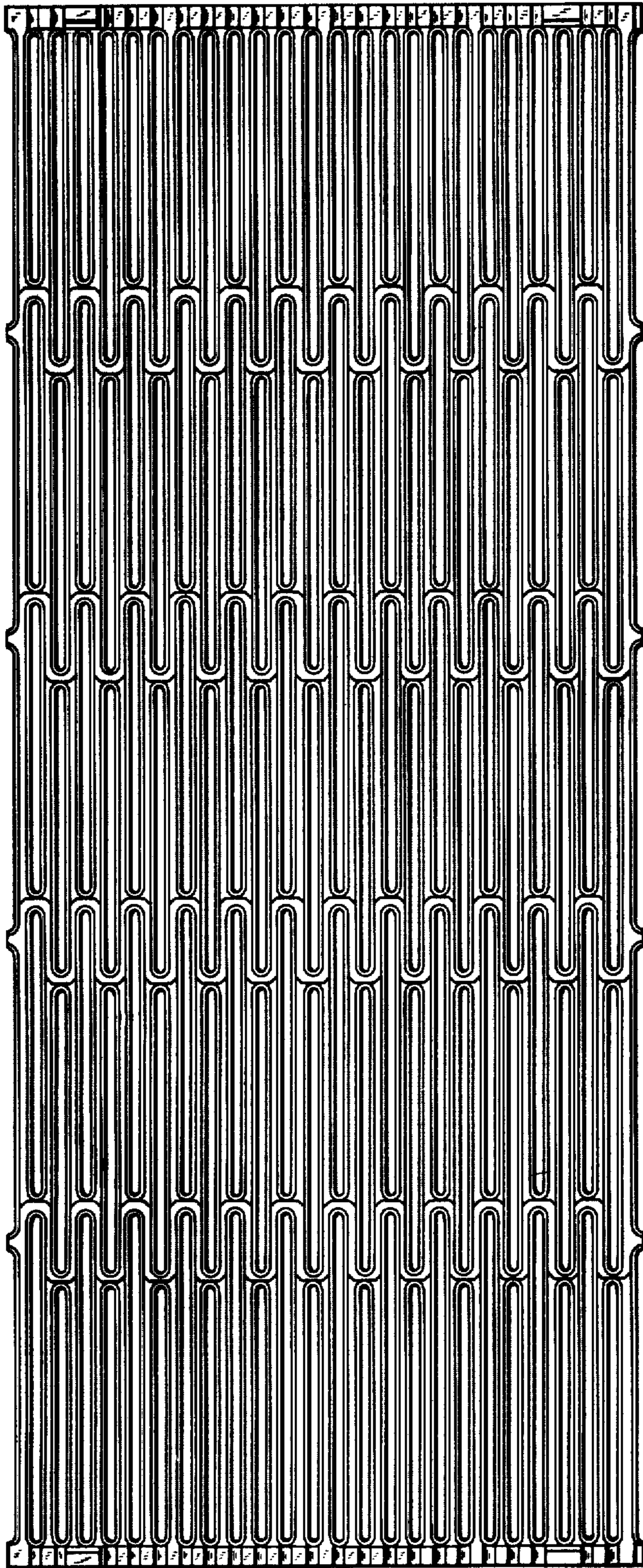


FIG. 4