

[54] HANDPIECE FOR MANICURE MACHINE

[76] Inventor: Sunjeen Choe, 2938 Oakhurst Ave., Los Angeles, Calif. 90034

[**] Term: 14 Years

[21] Appl. No.: 180,667

[22] Filed: Aug. 25, 1980

[51] Int. Cl. D28-03
[52] U.S. Cl. D28/58
[58] Field of Search D28/58, 9, 56, 57, 59;
132/73.6, 75.6, 75.3; D19/53

[56] References Cited

U.S. PATENT DOCUMENTS

D. 184,831 4/1959 Palma D19/53
D. 207,147 3/1967 Daher D28/58
3,420,250 1/1969 Holmes 132/73.6

OTHER PUBLICATIONS

Retailing Home Furnishings, 7-11-77, Section 3, p. 7, Hand Implement at bottom of page.

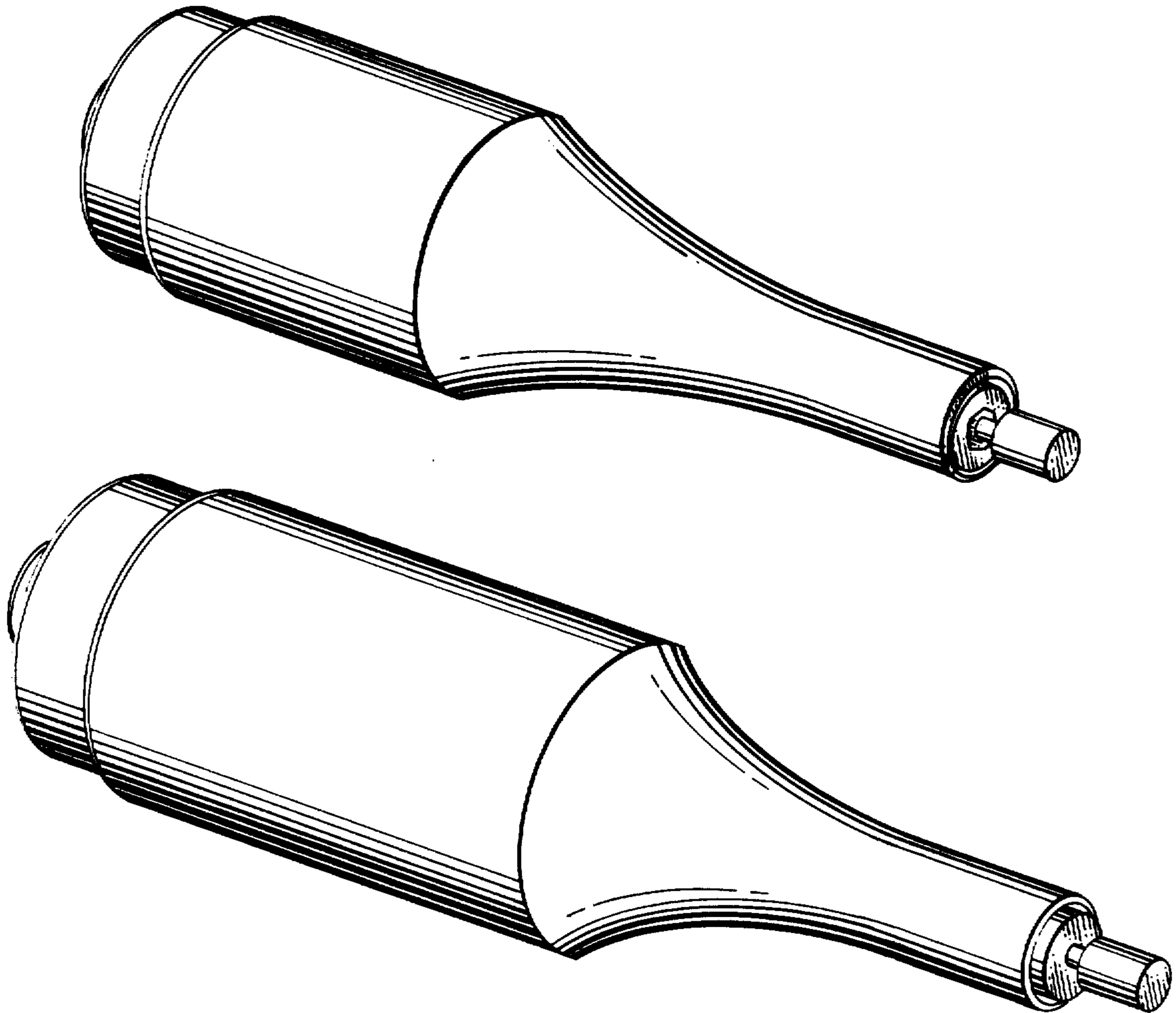
Primary Examiner—Charles A. Rademaker
Attorney, Agent, or Firm—Christie, Parker & Hale

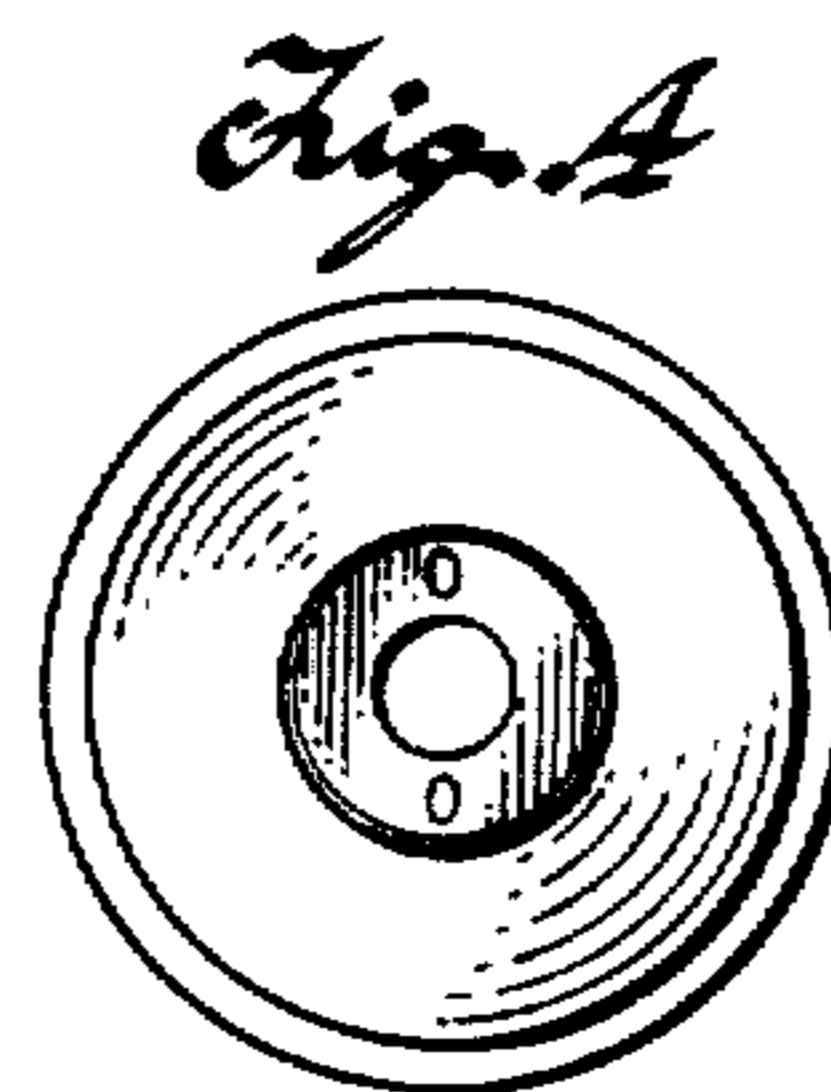
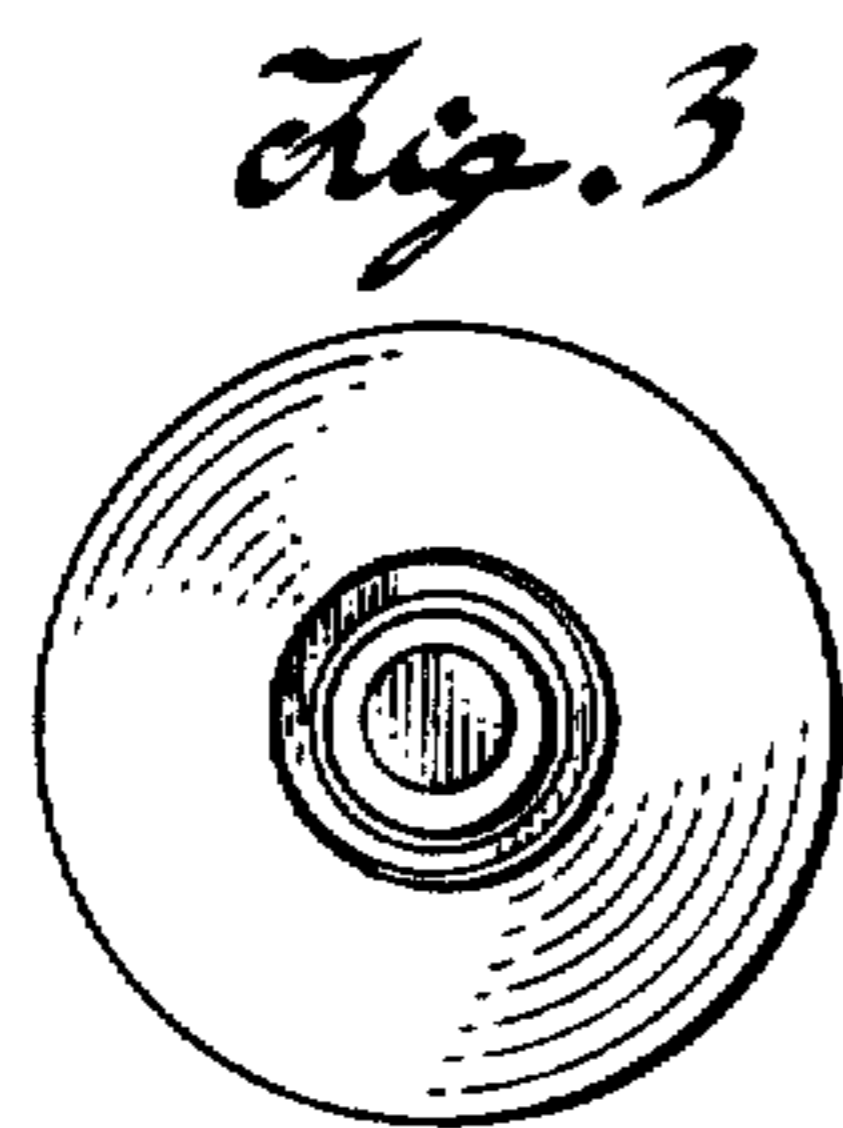
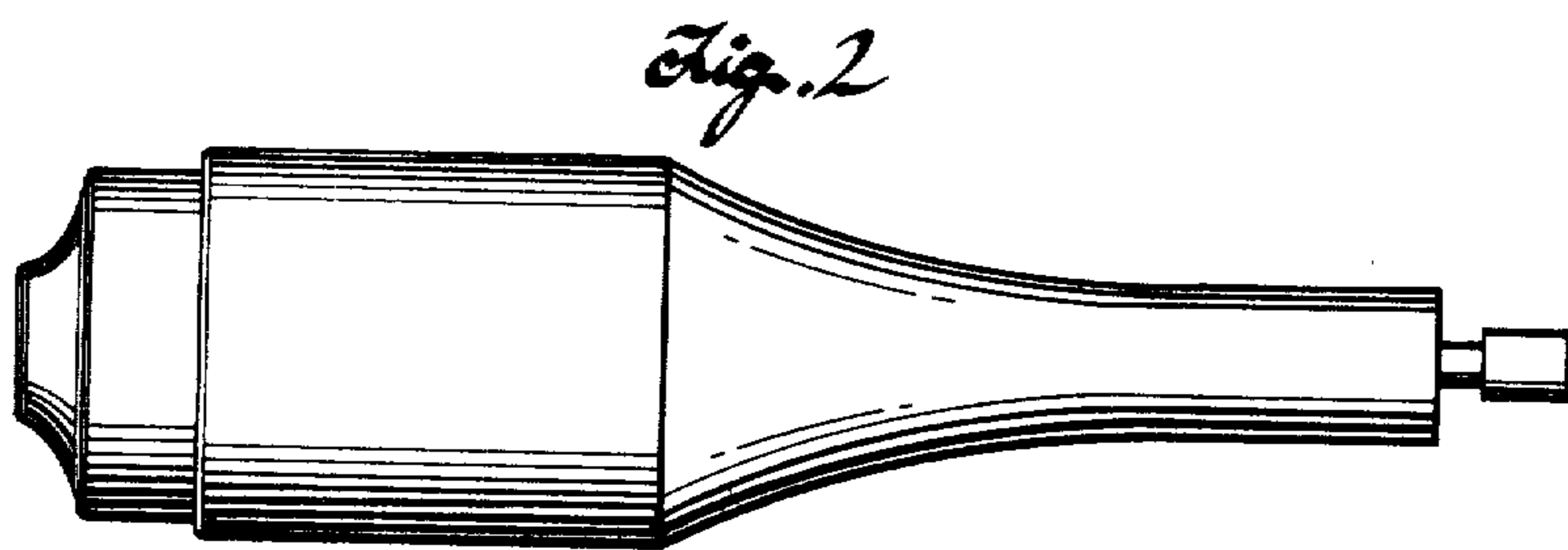
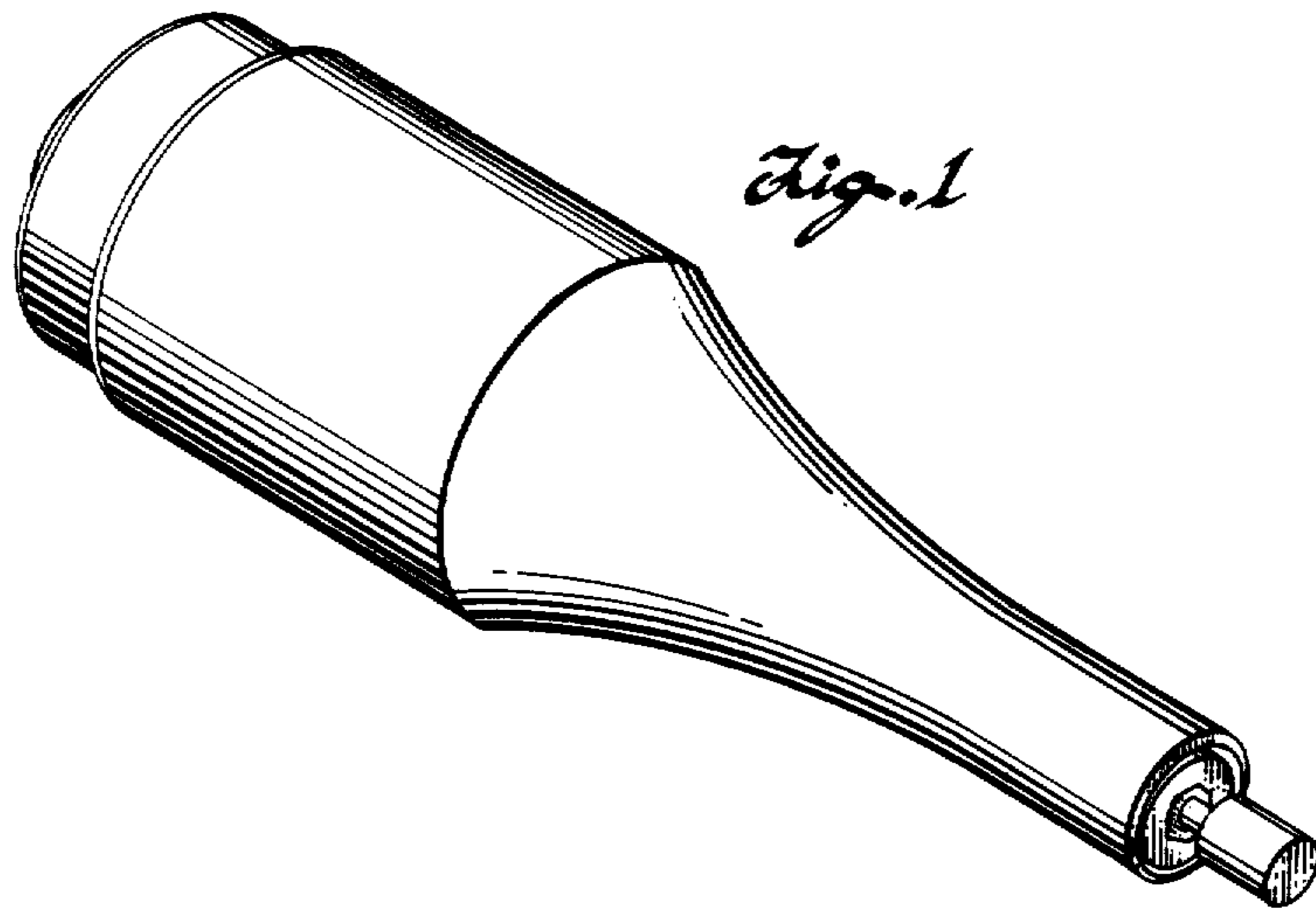
[57] CLAIM

The ornamental design for a handpiece for manicure machine, substantially as shown and described.

DESCRIPTION

FIG. 1 is a perspective view of a handpiece for manicure machine showing my new design; FIG. 2 is a side elevational view thereof; FIG. 3 is a front elevational view thereof; FIG. 4 is a rear elevational view thereof; FIG. 5 is a perspective view of a modified embodiment of the design shown in FIGS. 1 through 4; FIG. 6 is a side elevational view thereof; FIG. 7 is a front elevational view thereof; and FIG. 8 is a rear elevational view thereof.





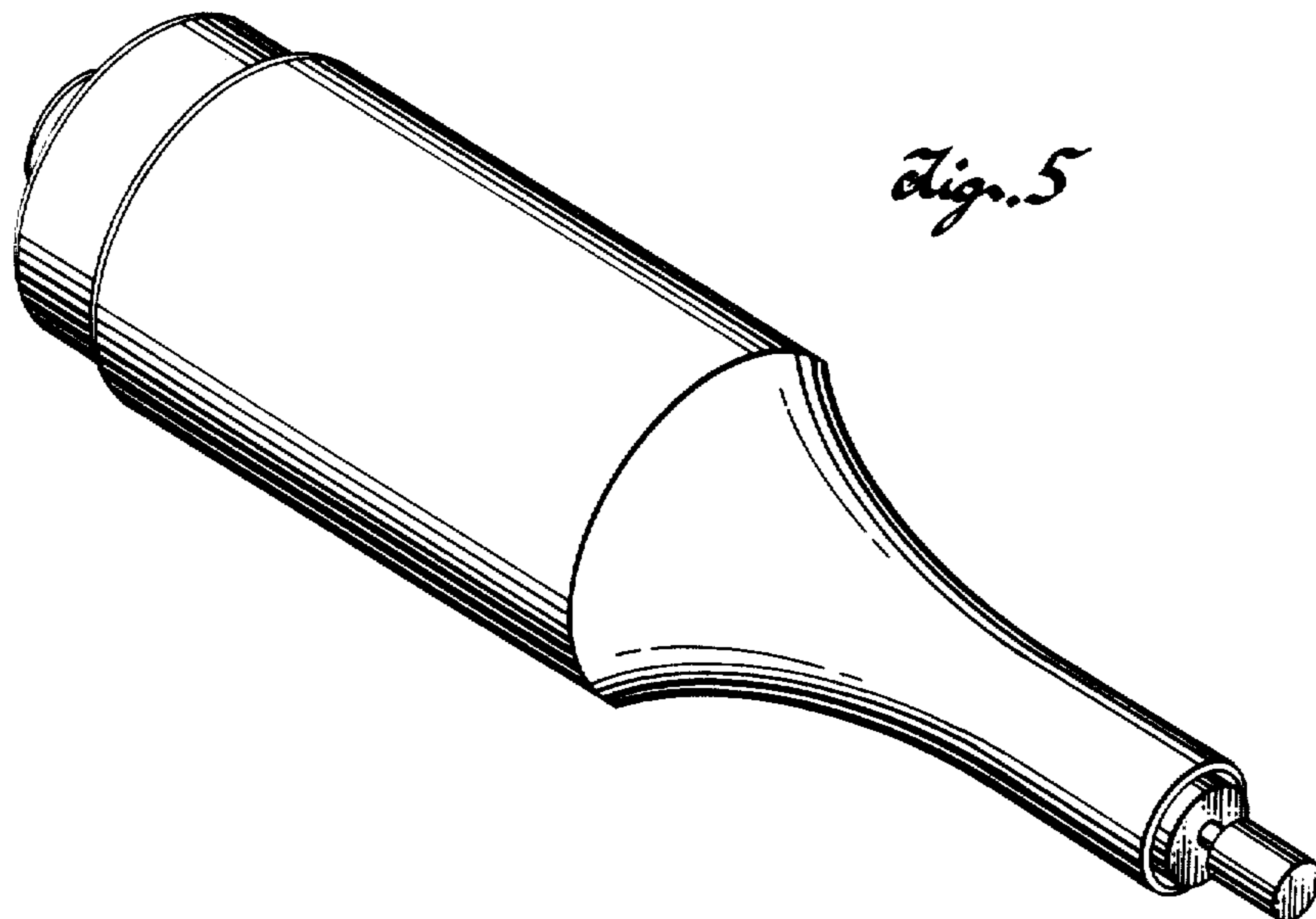


Fig. 5

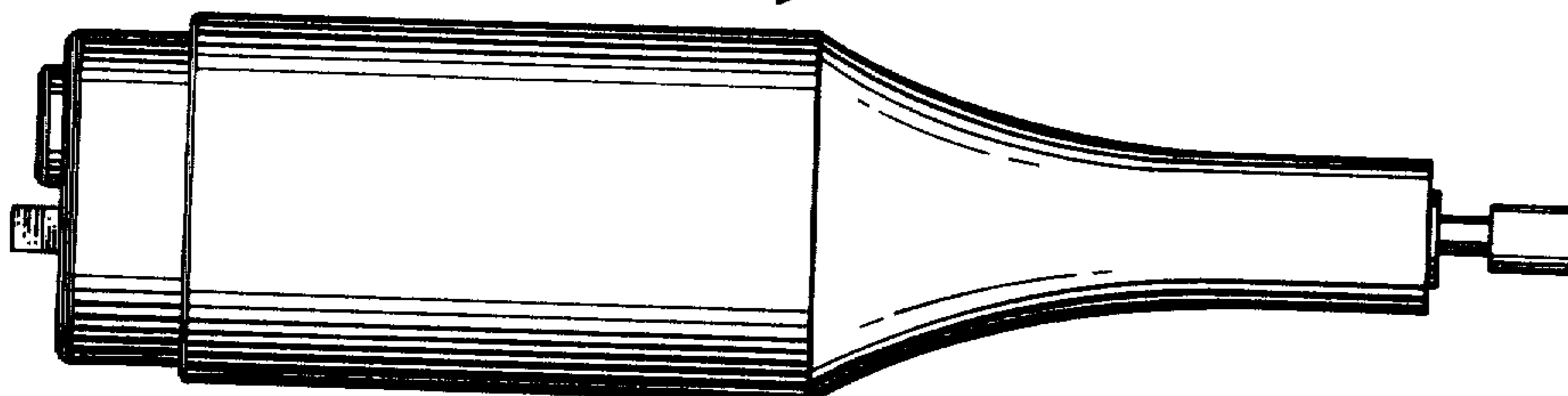


Fig. 6

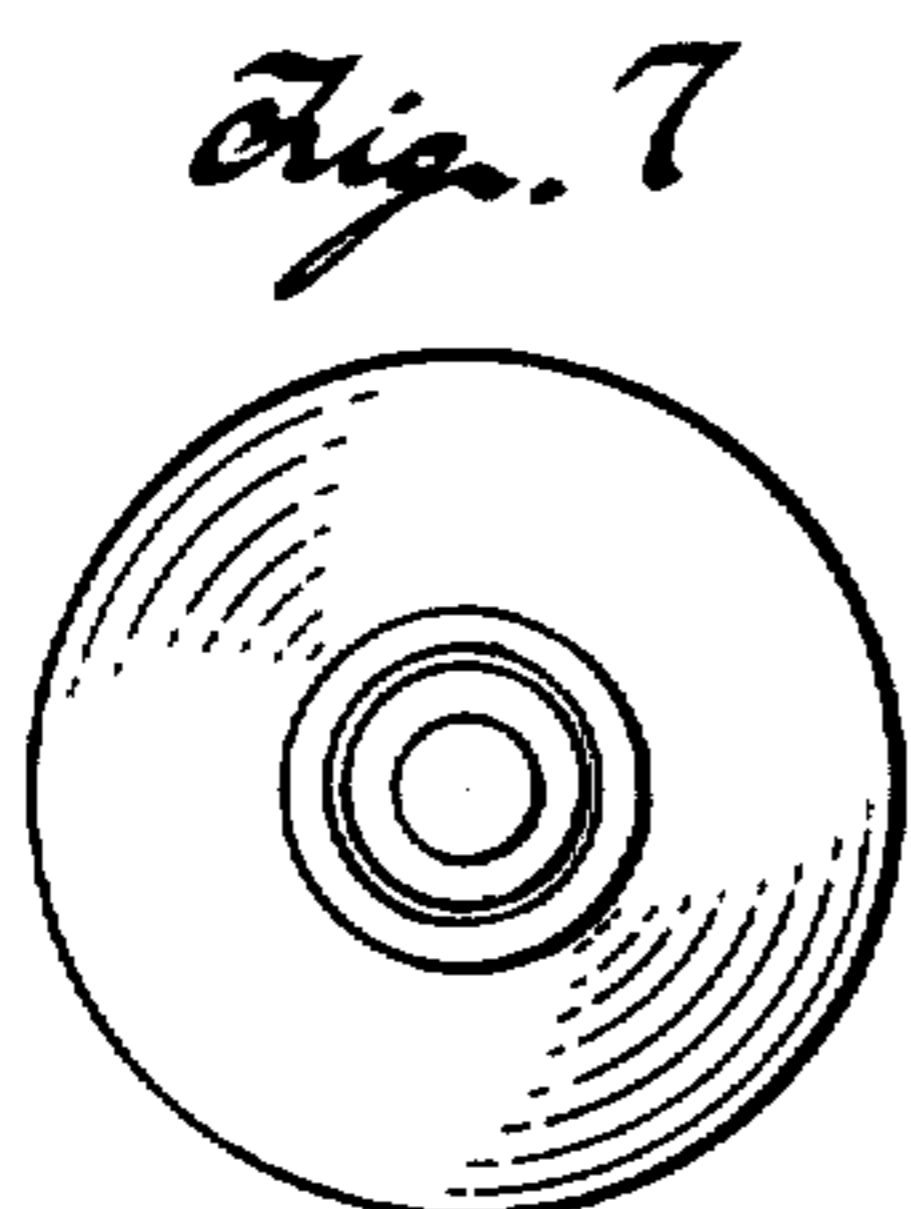


Fig. 7

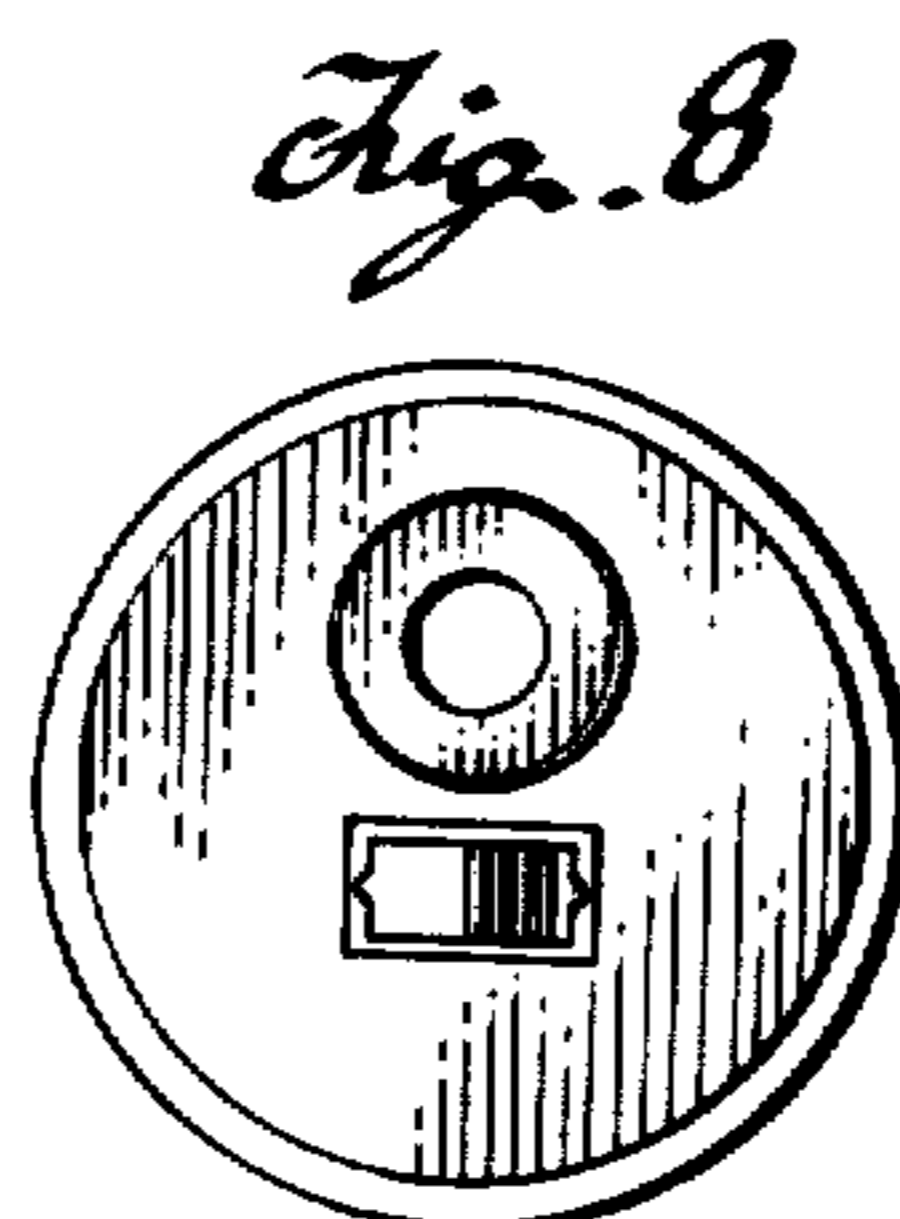


Fig. 8