

[54] FOOT COVER FOR AUTOMOBILE
AUXILIARY LIGHT

[75] Inventor: Yoshikazu Suzuki, Yokohama, Japan

[73] Assignee: Ushio Denki Kabushiki Kaisha,
Tokyo, Japan

[**] Term: 14 Years

[21] Appl. No.: 161,555

[22] Filed: Jun. 20, 1980

[51] Int. Cl. D26-06
[52] U.S. Cl. D26/113; D26/28;
D26/142

[58] Field of Search D26/24, 28, 29, 30;
113/31; 149/34, 35, 36; 153/139, 142; 362/61,
235, 250, 307, 310, 311, 362, 359, 369, 418, 419,
427, 457, 390; 285/44, 226; 138/118, 121, 173

[56] References Cited

U.S. PATENT DOCUMENTS

1,317,446 9/1919 Hollaender, Jr. 285/226 X
2,308,073 1/1943 Hagerty 285/226 X
2,571,021 10/1951 Early 285/226 X

FOREIGN PATENT DOCUMENTS

198118 6/1958 Austria 138/121

1034058 7/1958 Fed. Rep. of Germany 138/121
417345 8/1910 France 362/390
573248 2/1958 Italy 138/121
50194 4/1941 Netherlands 362/390

OTHER PUBLICATIONS

J. C. Whitney, Cat. #8.C ©1979, p. 78, Chrome Floor
Plate and Shift Boot #12-2287X.

Primary Examiner—Susan J. Lucas
Attorney, Agent, or Firm—McCormick, Paulding &
Huber

CLAIM

[57] The ornamental design for a foot cover for automobile
auxiliary light, substantially as shown and described.

DESCRIPTION

FIG. 1 is a plan view of a foot cover for automobile
auxiliary light showing my new design;
FIG. 2 is a front elevational view thereof;
FIG. 3 is a right side view thereof;
FIG. 4 is a bottom view thereof;
FIG. 5 is a cross sectional view along the line 5—5 of
FIG. 2;
FIG. 6 is a perspective view thereof; and
FIG. 7 is a right elevational view thereof on a reduced
scale, the auxiliary light being shown in broken lines for
illustrative purposes only.

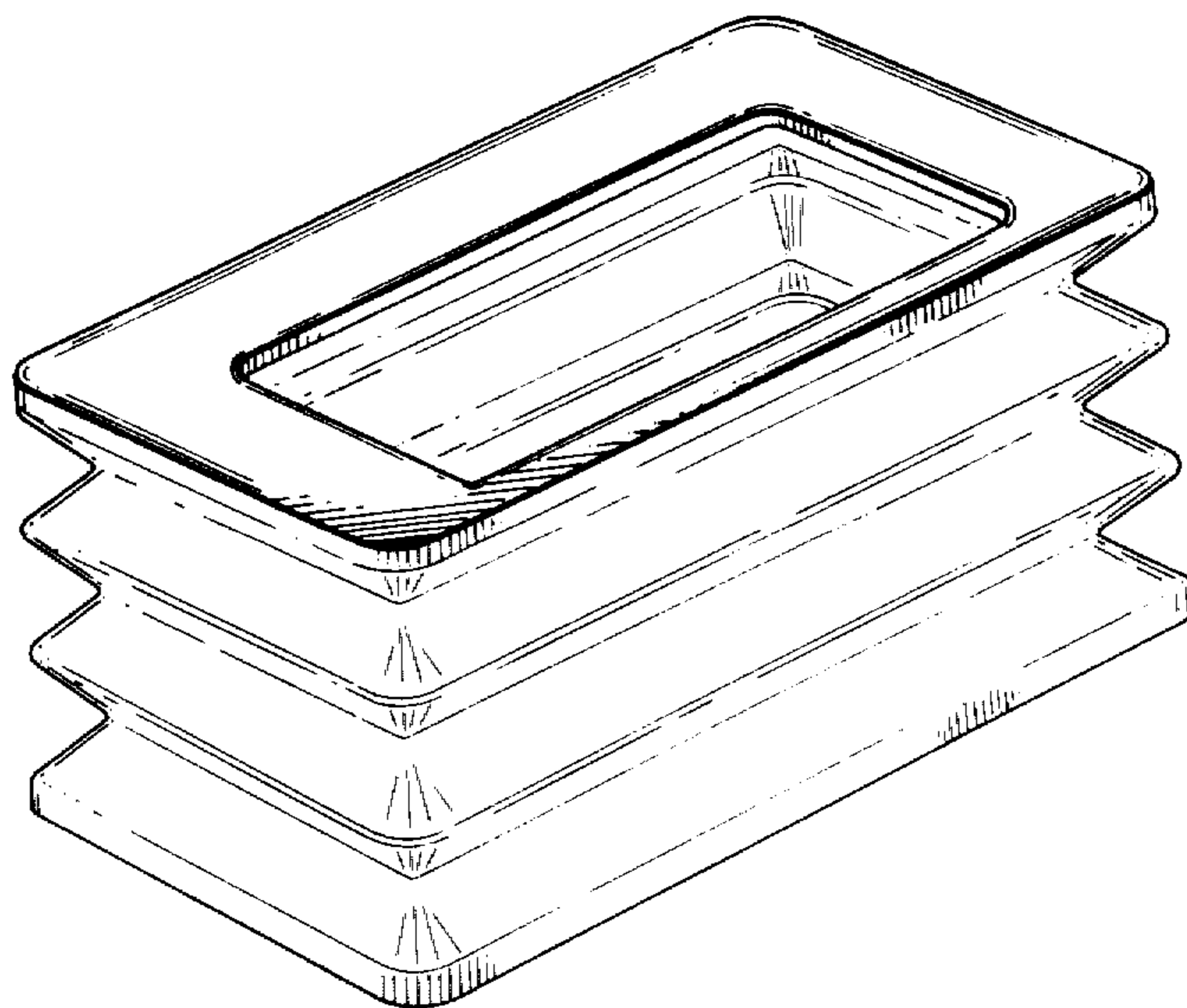


FIG. 1

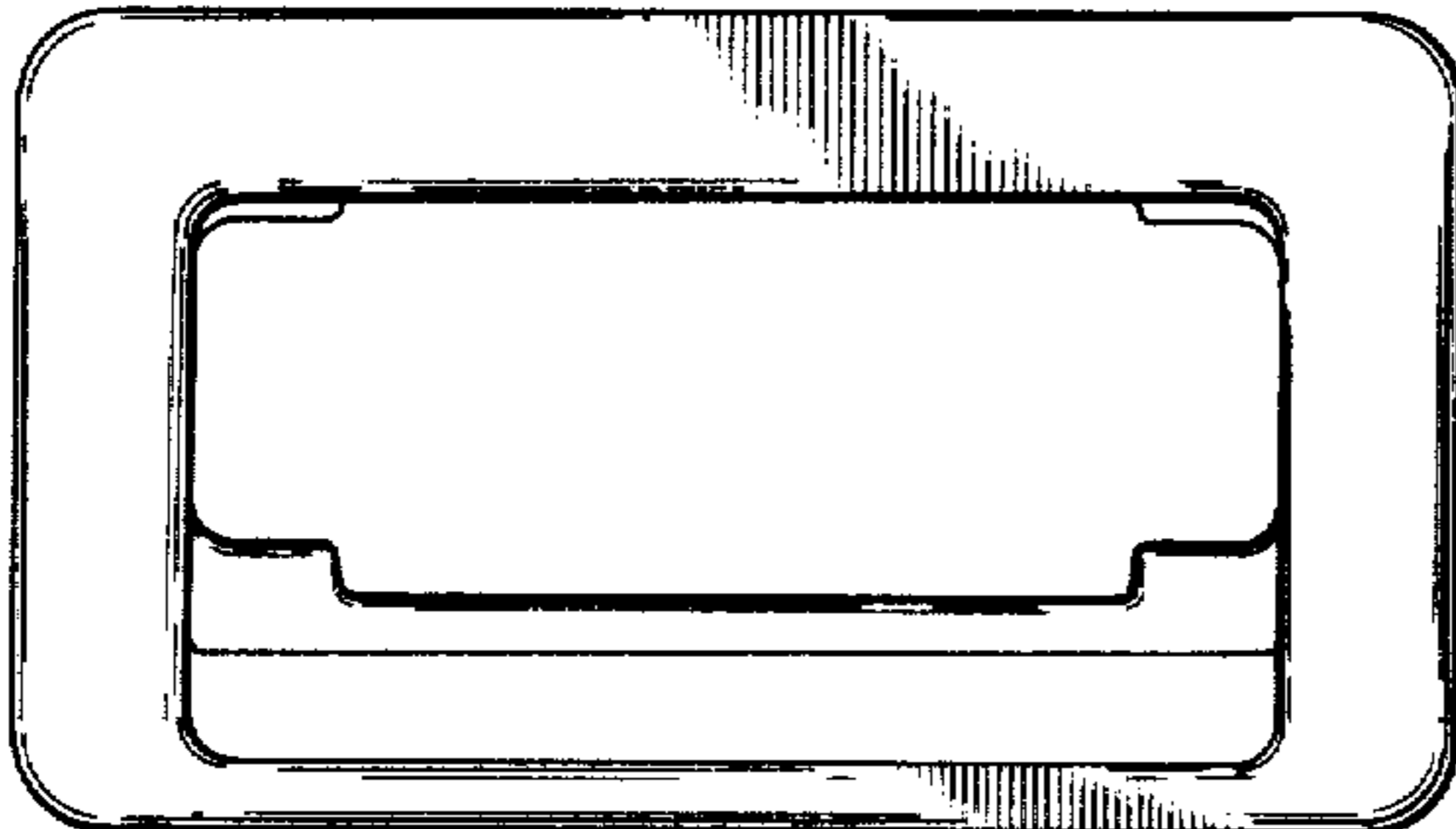


FIG. 2

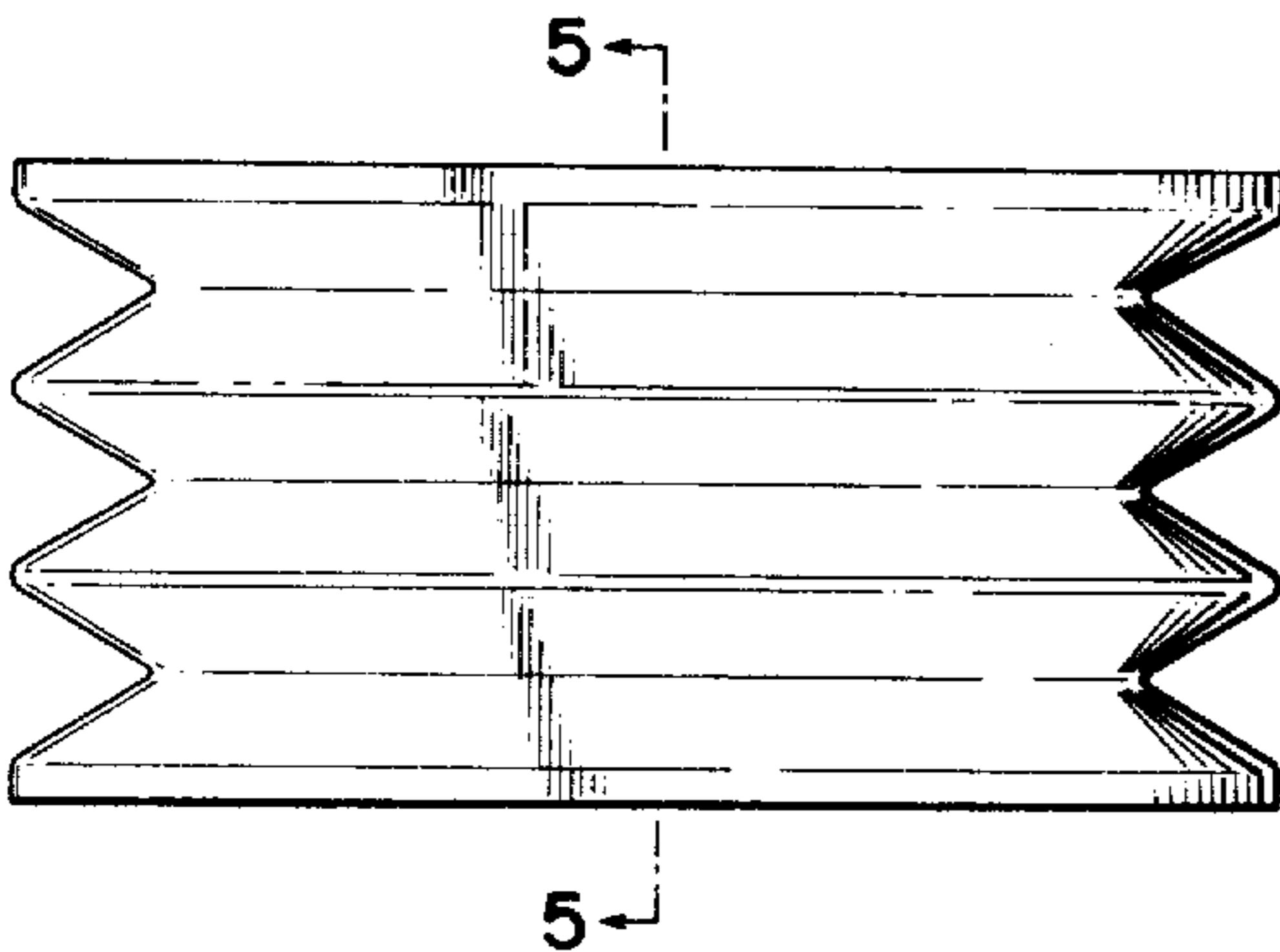


FIG. 3

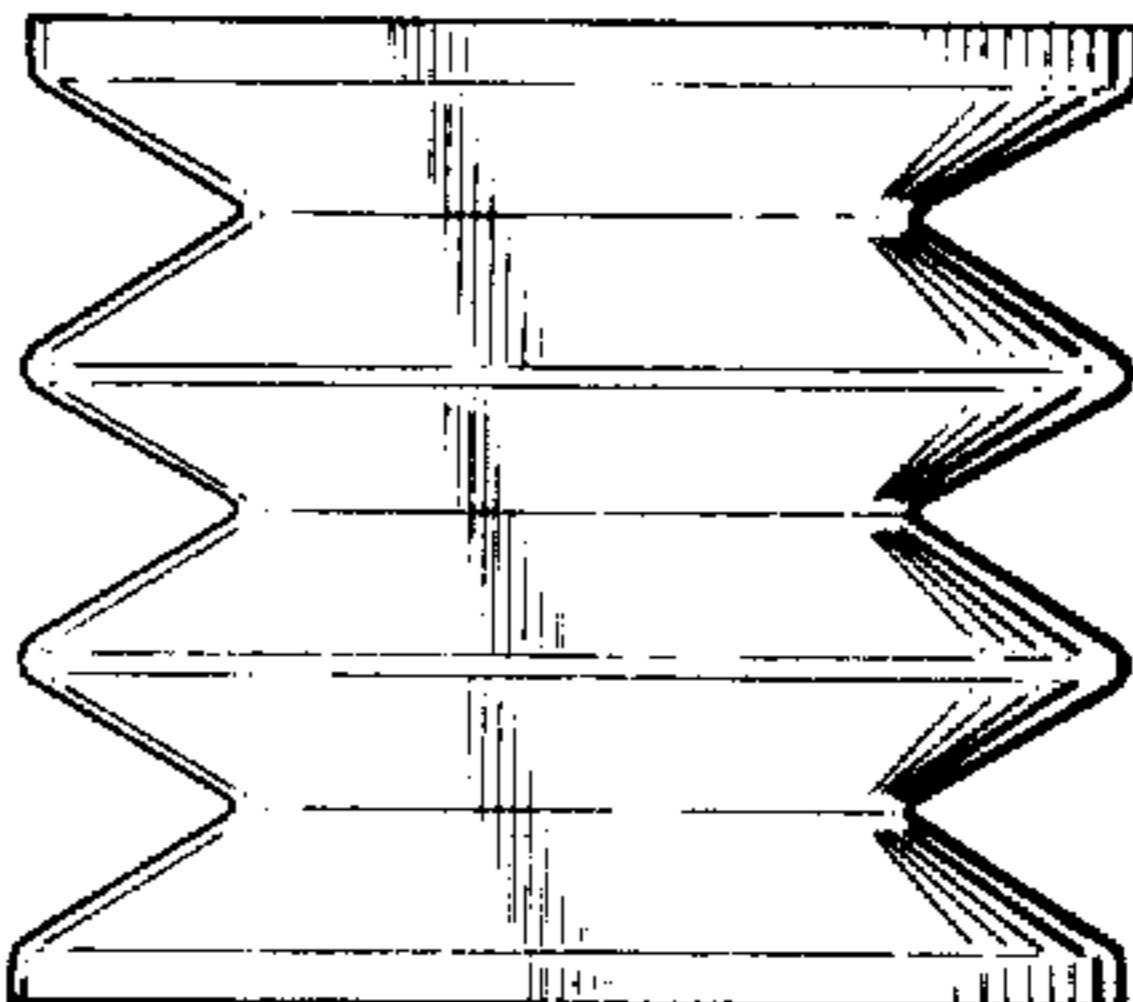
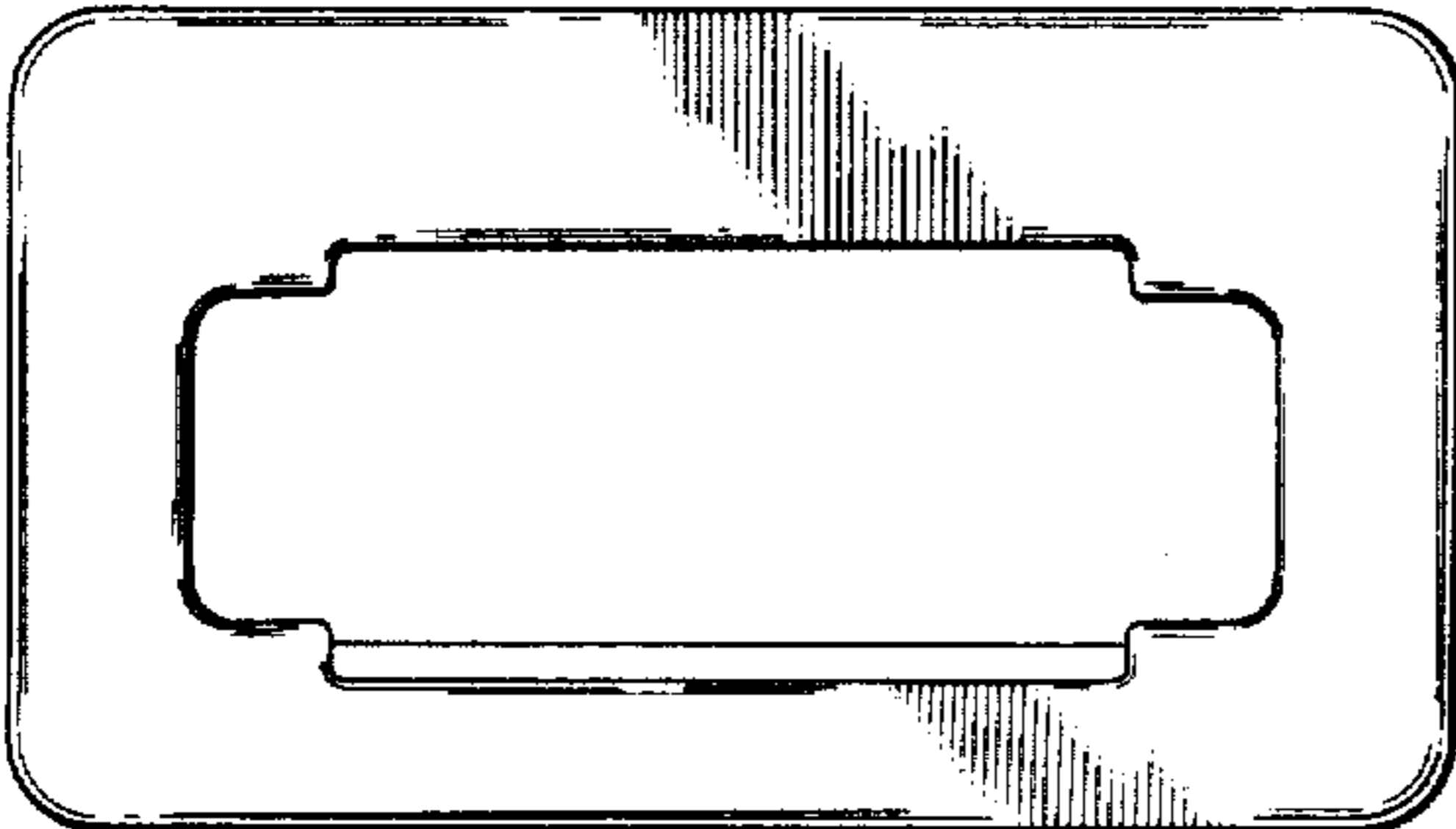
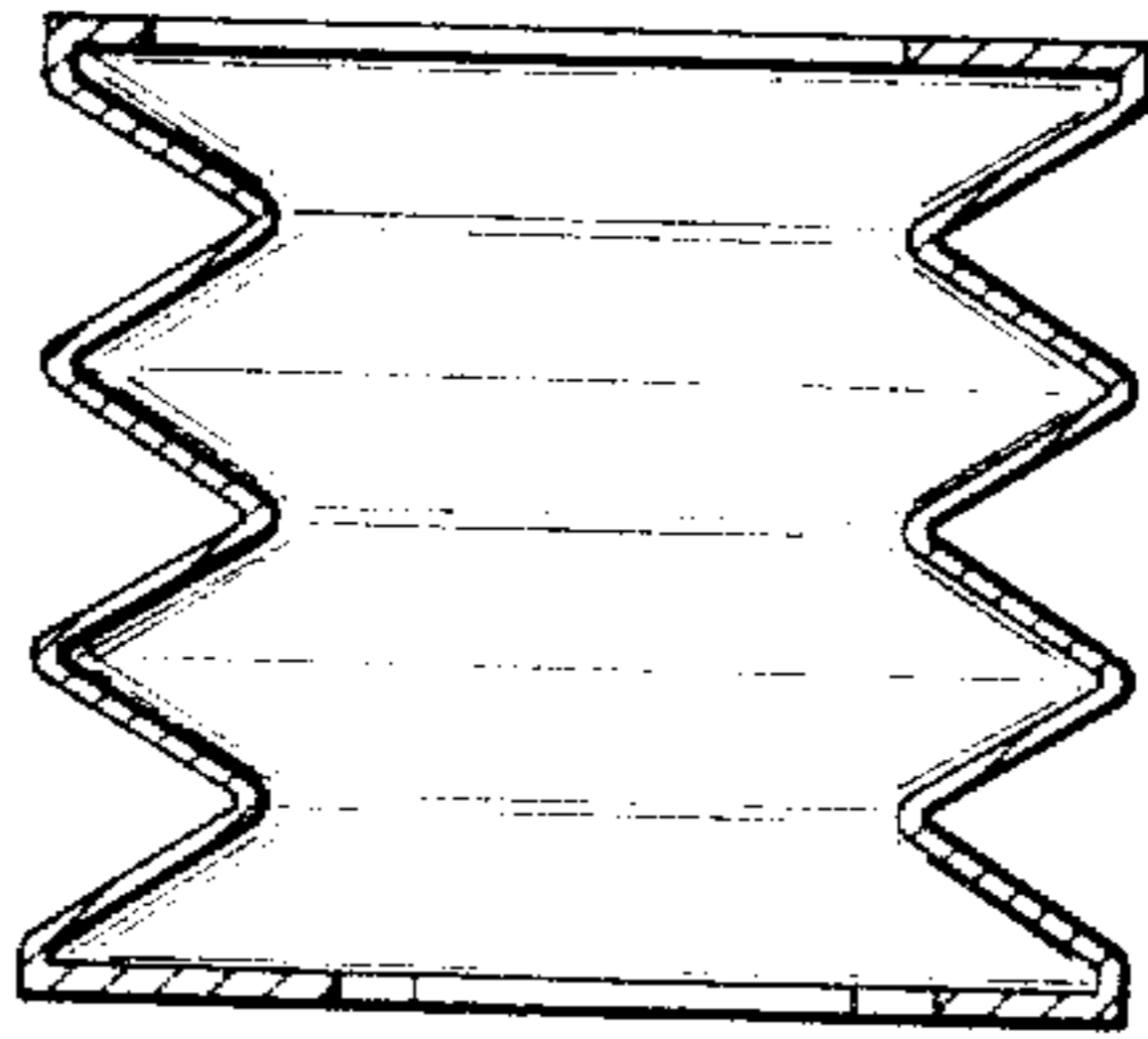


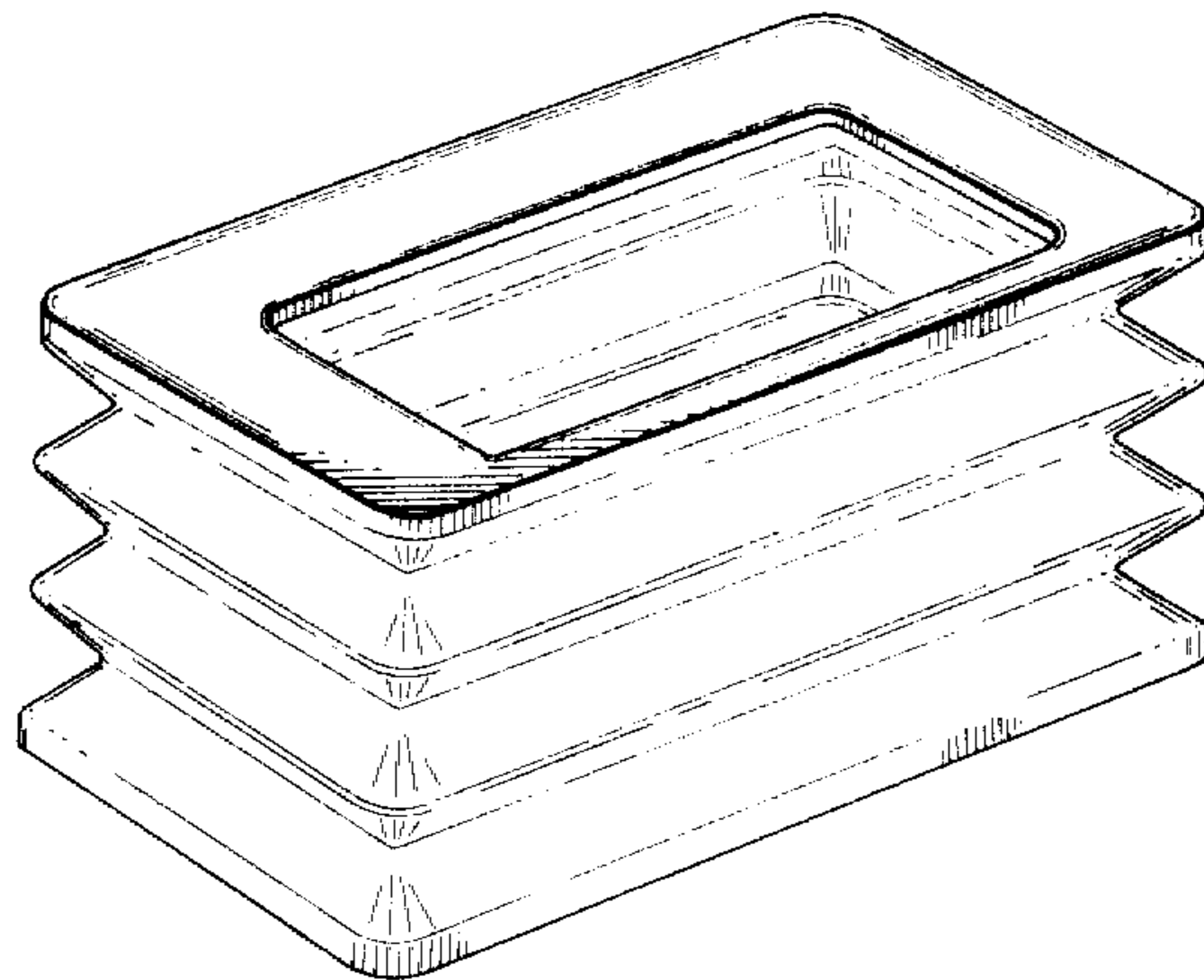
FIG. 4



F I G . 5



F I G . 6



F I G . 7

