

[54] VEHICULAR HOOD-MOUNTED LAMP HOUSING

[76] Inventor: Willie A. Roberts, 8080 Roselawn St., Detroit, Mich. 48204

[\*\*] Term: 14 Years

[21] Appl. No.: 153,716

[22] Filed: May 27, 1980

Related U.S. Application Data

[63] Continuation-in-part of Ser. No. 117,553, Feb. 1, 1980.

[51] Int. Cl. .... D26-06

[52] U.S. Cl. .... D26/28

[58] Field of Search ..... D26/24, 28, 29, 30, D26/31, 34, 35; 362/61, 235, 250, 307, 310, 311, 362

[56] References Cited

U.S. PATENT DOCUMENTS

D. 104,163 4/1937 Hubbard ..... D26/35  
2,855,502 10/1958 Johnson ..... 362/61 X  
3,229,081 1/1966 Koljonen et al. .... D26/35 X

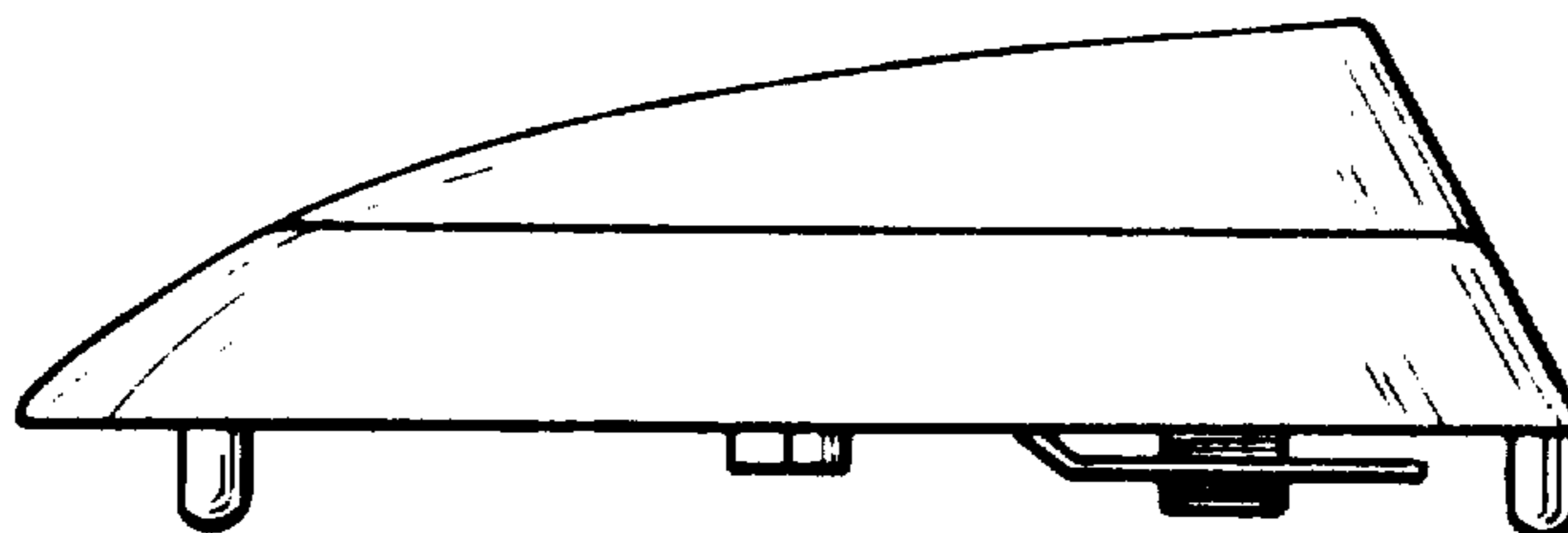
Primary Examiner—Susan J. Lucas  
Attorney, Agent, or Firm—Basile, Weintraub & Hanlon

[57] CLAIM

The ornamental design for a vehicular hood-mounted lamp housing, as shown and described.

DESCRIPTION

FIG. 1 is a first side elevational view of a vehicular hood-mounted lamp housing showing my new design; FIG. 2 is a second side view hereof, as seen from the side opposite that of FIG. 1; FIG. 3 is a first end elevational view hereof; FIG. 4 is a second end elevational view hereof as seen from the end opposite that of FIG. 3; FIG. 5 is a top plan view hereof, and FIG. 6 is a bottom plan view hereof.



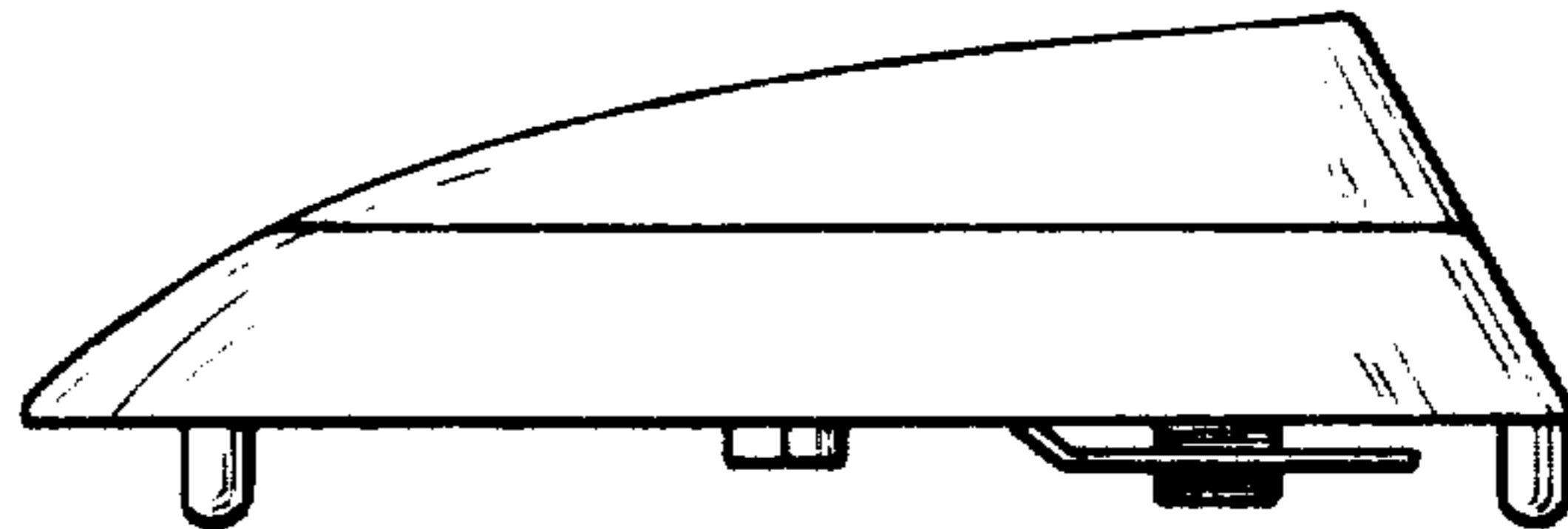


Fig-1

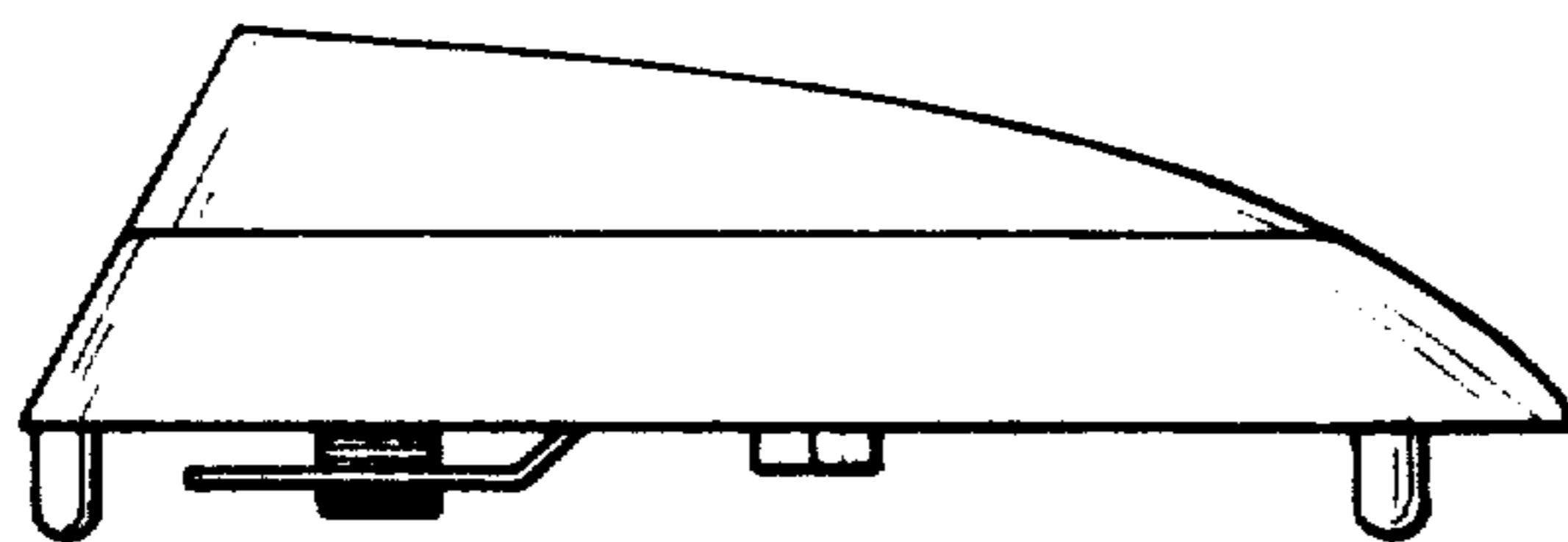


Fig-2

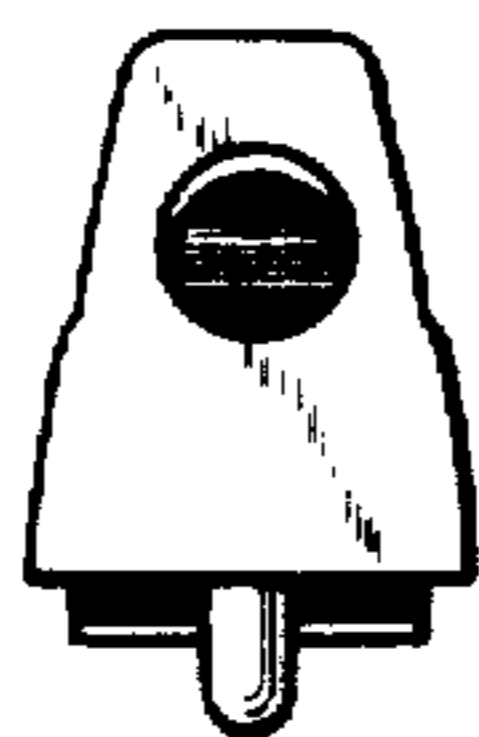


Fig-3

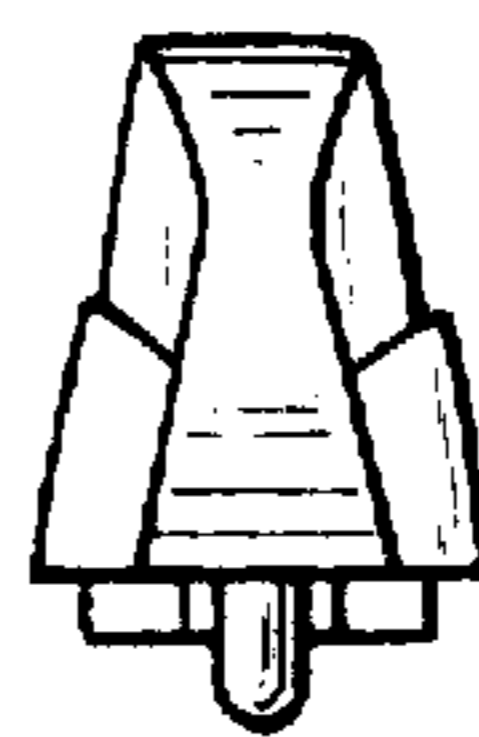


Fig-4

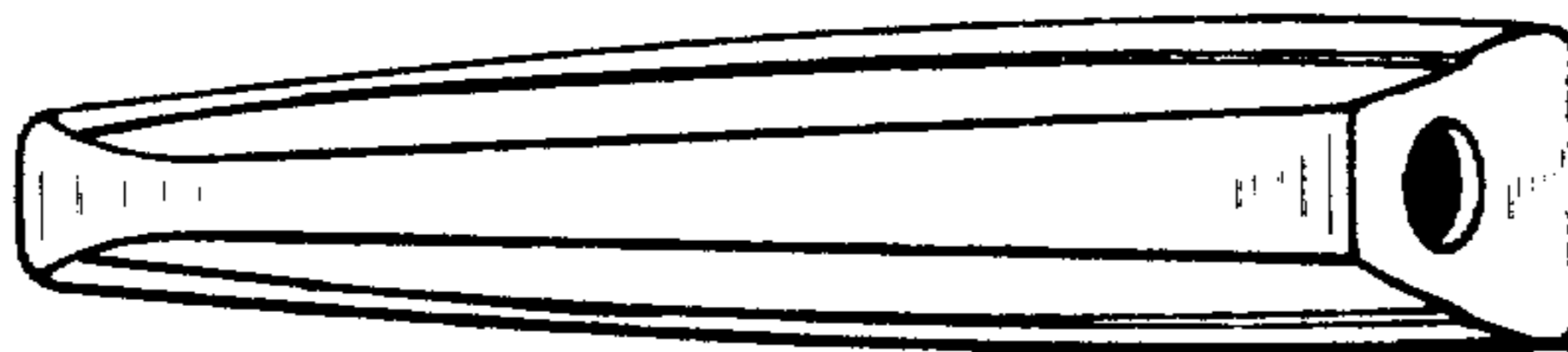


Fig-5

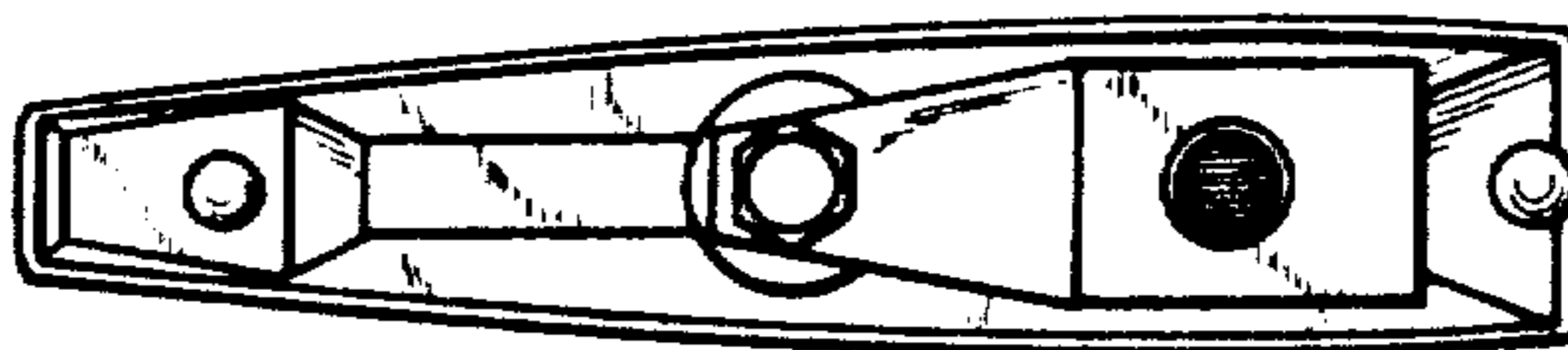


Fig-6