

[54] WALL INSERTED STEP OR HAND BOX

2,580,326 12/1951 Stevens ..... 182/90  
3,971,456 7/1976 Yonce ..... 182/90

[76] Inventor: Wilhelm Nelles, Nesenhaus 2, 4030 Ratingen 6, Fed. Rep. of Germany

FOREIGN PATENT DOCUMENTS

[\*\*] Term: 14 Years

6707107 5/1967 Netherlands ..... 182/90

[21] Appl. No.: 924,449

Primary Examiner—James M. Gandy  
Attorney, Agent, or Firm—McAulay, Fields, Fisher,  
Goldstein & Nissen

[22] Filed: Jul. 13, 1978

[57] CLAIM

[30] Foreign Application Priority Data

The ornamental design for a wall inserted step or hand box, as shown and described.

Jan. 13, 1978 [DE] Fed. Rep. of Germany ..... MR 220

[51] Int. Cl. .... D25—02

DESCRIPTION

[52] U.S. Cl. .... D25/69

FIG. 1 is a front elevational view of a wall inserted step or hand box showing my new design;  
FIG. 2 is a front perspective view thereof; and  
FIG. 3 is a side perspective view thereof.  
FIG. 4 is a side elevational view thereof.

[58] Field of Search ..... D25/62, 68, 69; 182/90

The side opposite to that shown is a mirror image thereof, and the top, bottom and rear of the box are flat and unornamented.

[56] References Cited

U.S. PATENT DOCUMENTS

1,091,798 3/1914 Booraem et al. .... 182/90  
1,760,200 5/1930 Large ..... 182/90  
1,916,252 7/1933 Boardman ..... 182/90

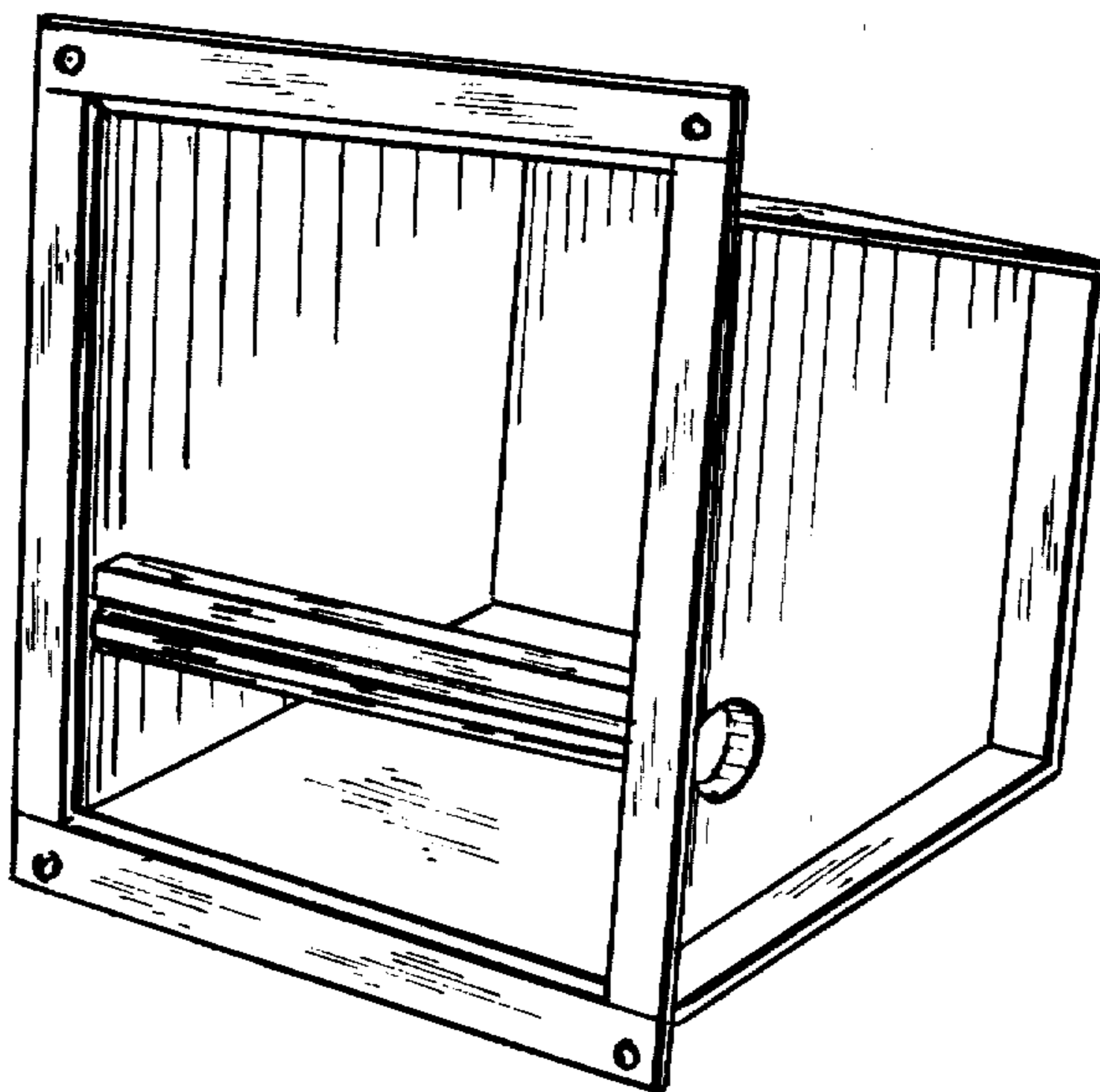


FIG. 1

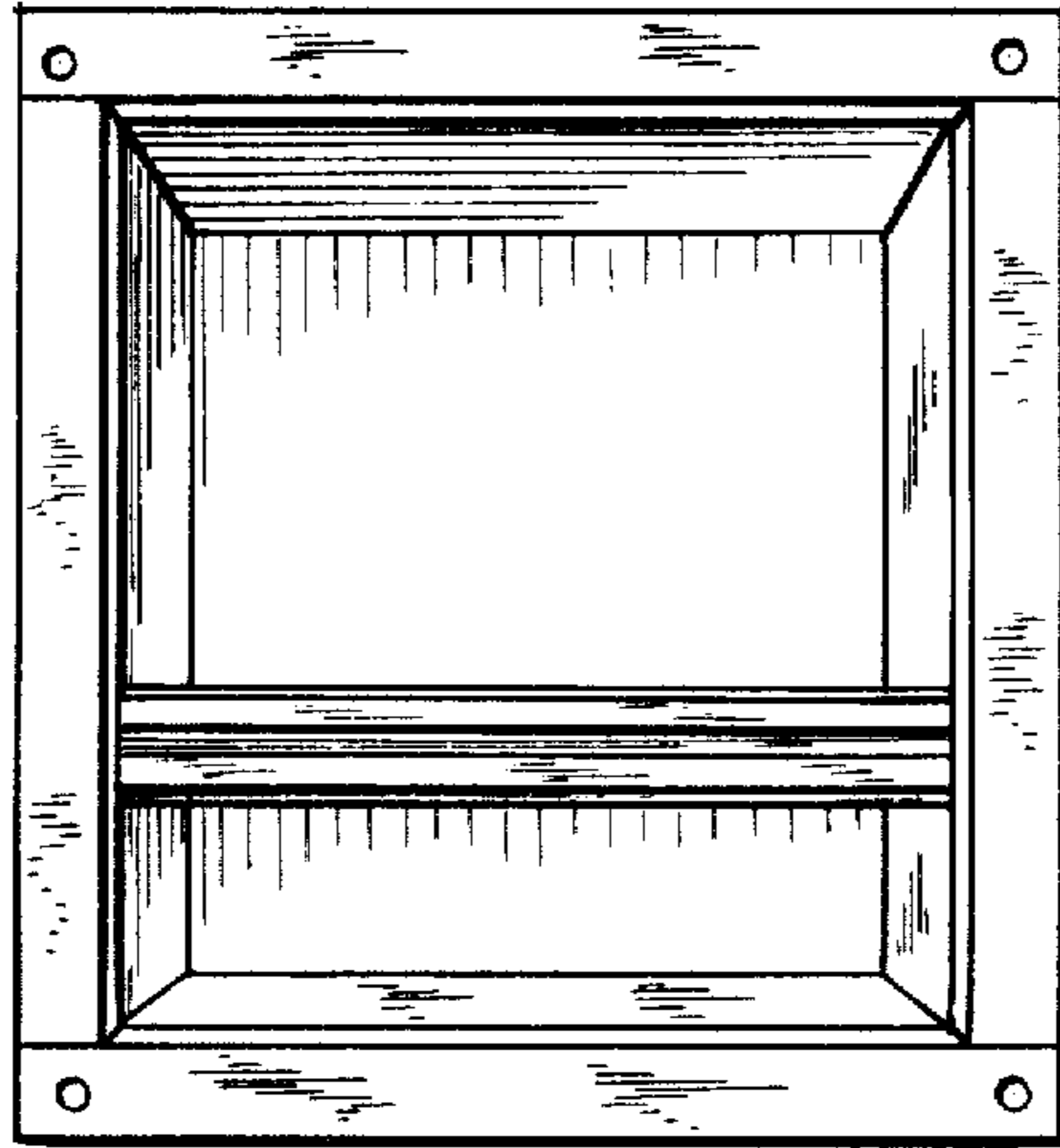


FIG. 2

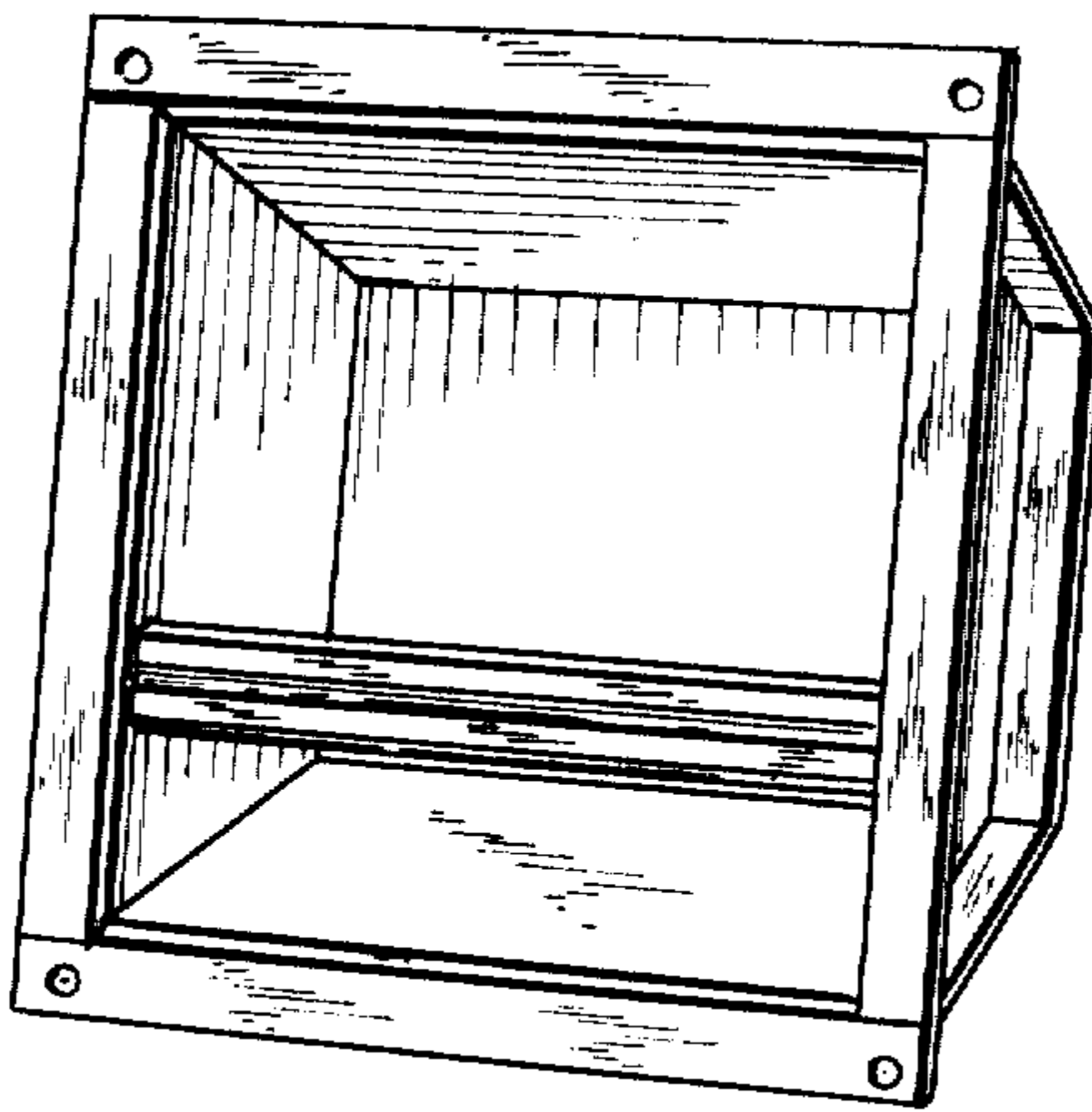


FIG. 3

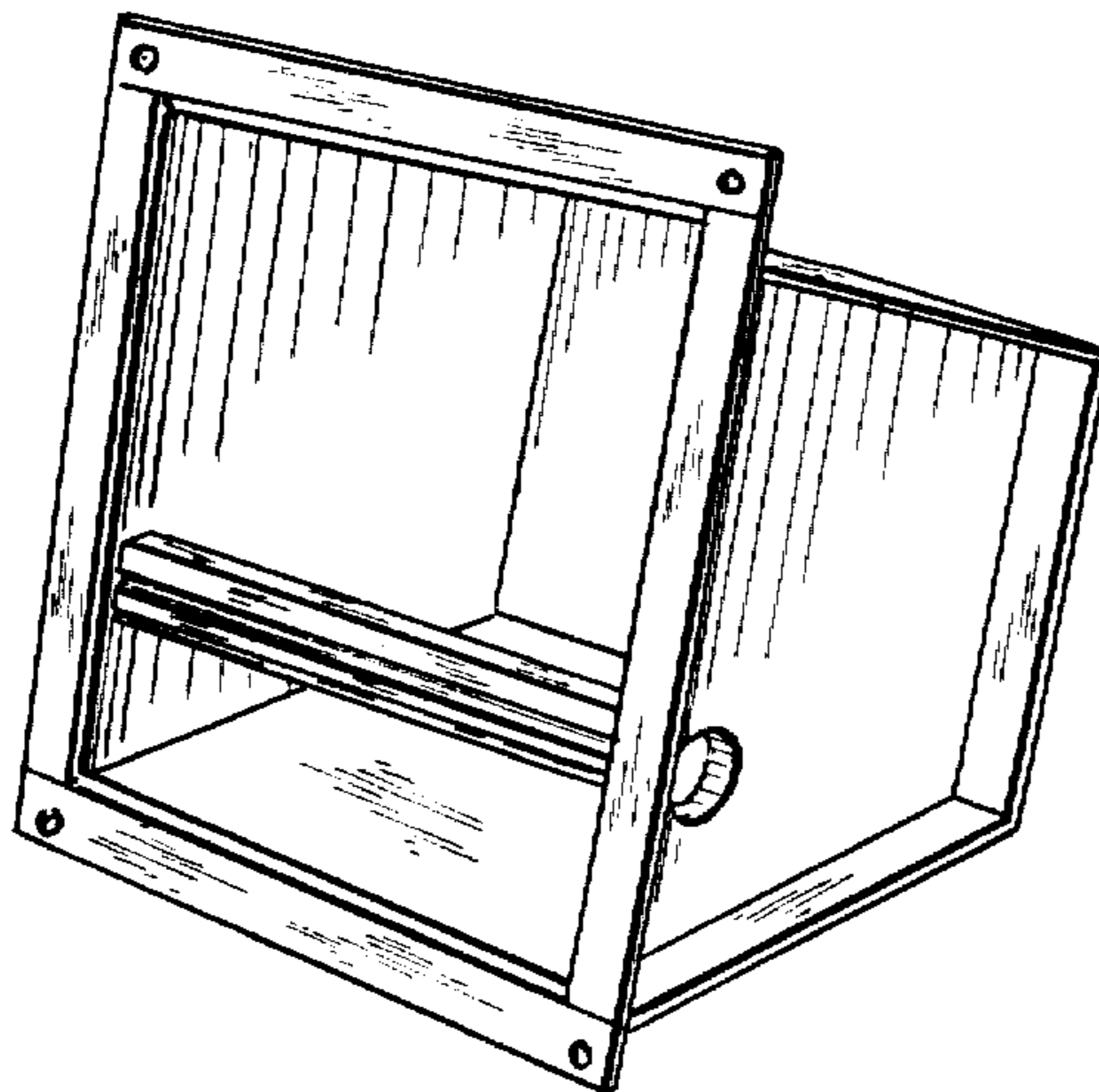


FIG. 4

