

[54] BUILDING STRUCTURE

[75] Inventor: Edward F. Bavis, Cincinnati, Ohio

[73] Assignee: E. F. Bavis & Associates, Inc., Cincinnati, Ohio

[\*\*] Term: 14 Years

[21] Appl. No.: 151,453

[22] Filed: May 19, 1980

Related U.S. Application Data

[62] Division of Ser. No. D. 937,519, Aug. 28, 1978, Pat. No. Des. 258,087.

[51] Int. Cl. .... D25-03

[52] U.S. Cl. .... D25/31; D25/1; D25/16

[58] Field of Search ..... D25/18, 16, 31, 32, D25/1; 52/80, 82

[56] References Cited

U.S. PATENT DOCUMENTS

D. 231,695 5/1974 Dattner ..... D25/31 X

D. 242,252 11/1976 Elliott ..... D25/16  
D. 245,101 7/1977 Spillman et al. .... D25/16  
1,431,243 10/1922 McKelv ..... D25/16 X

Primary Examiner—A. Hugo Word  
Attorney, Agent, or Firm—Frost & Jacobs

[57] CLAIM

The ornamental design for a building structure as shown and described.

DESCRIPTION

FIG. 1 is a perspective view of a building structure incorporating my new design.

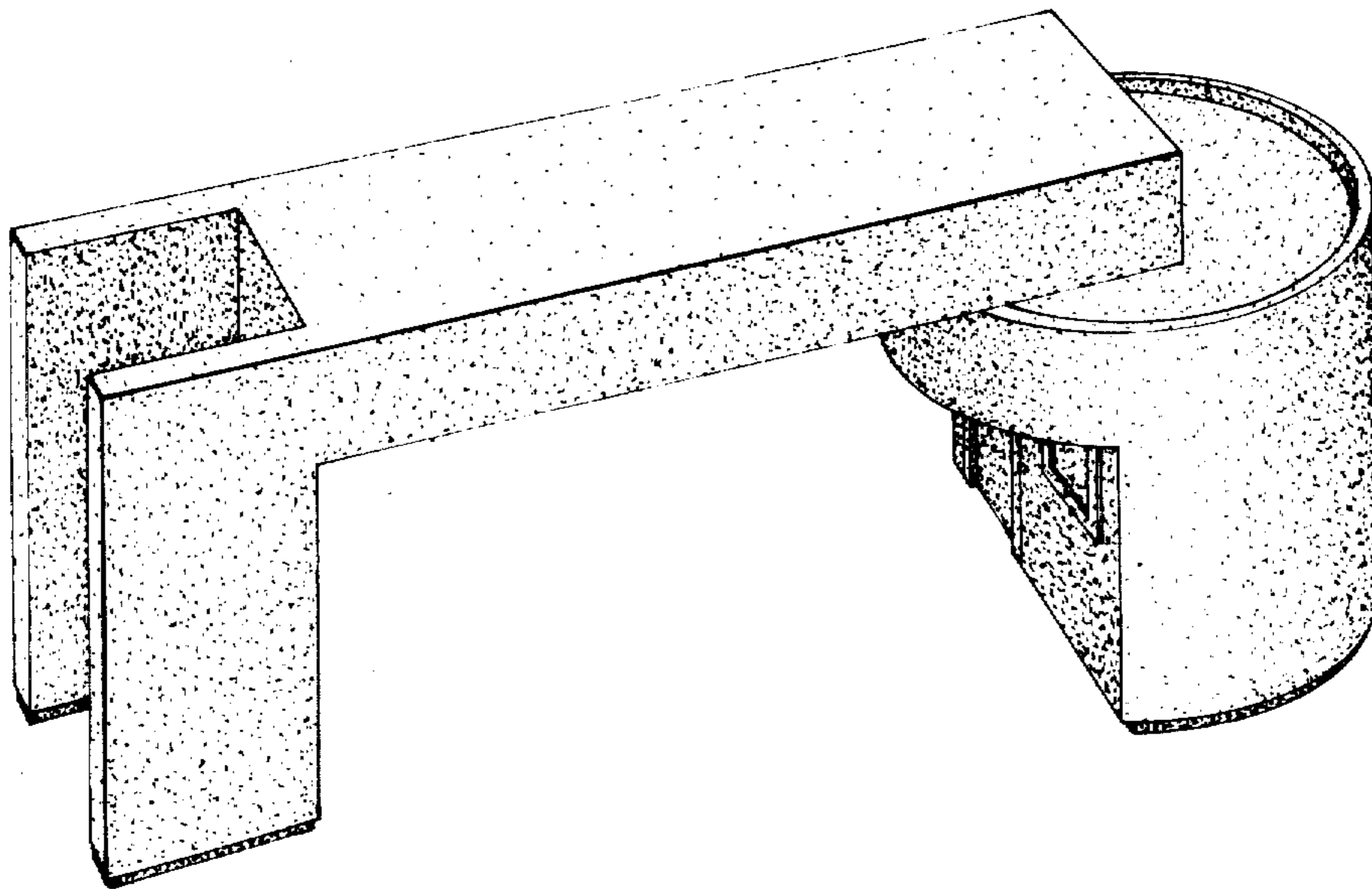
FIG. 2 is a top plan view of the building structure illustrated in FIG. 1.

FIG. 3 is a side elevational view of the building structure illustrated in FIG. 1, the opposite side of the structure being a mirror image of the side illustrated.

FIG. 4 is a front elevational view taken from the left side of FIG. 3.

FIG. 5 is a rear elevational view taken from the right side of FIG. 3.

FIG. 6 is a vertical sectional view taken along the line 6-6 of FIG. 3.



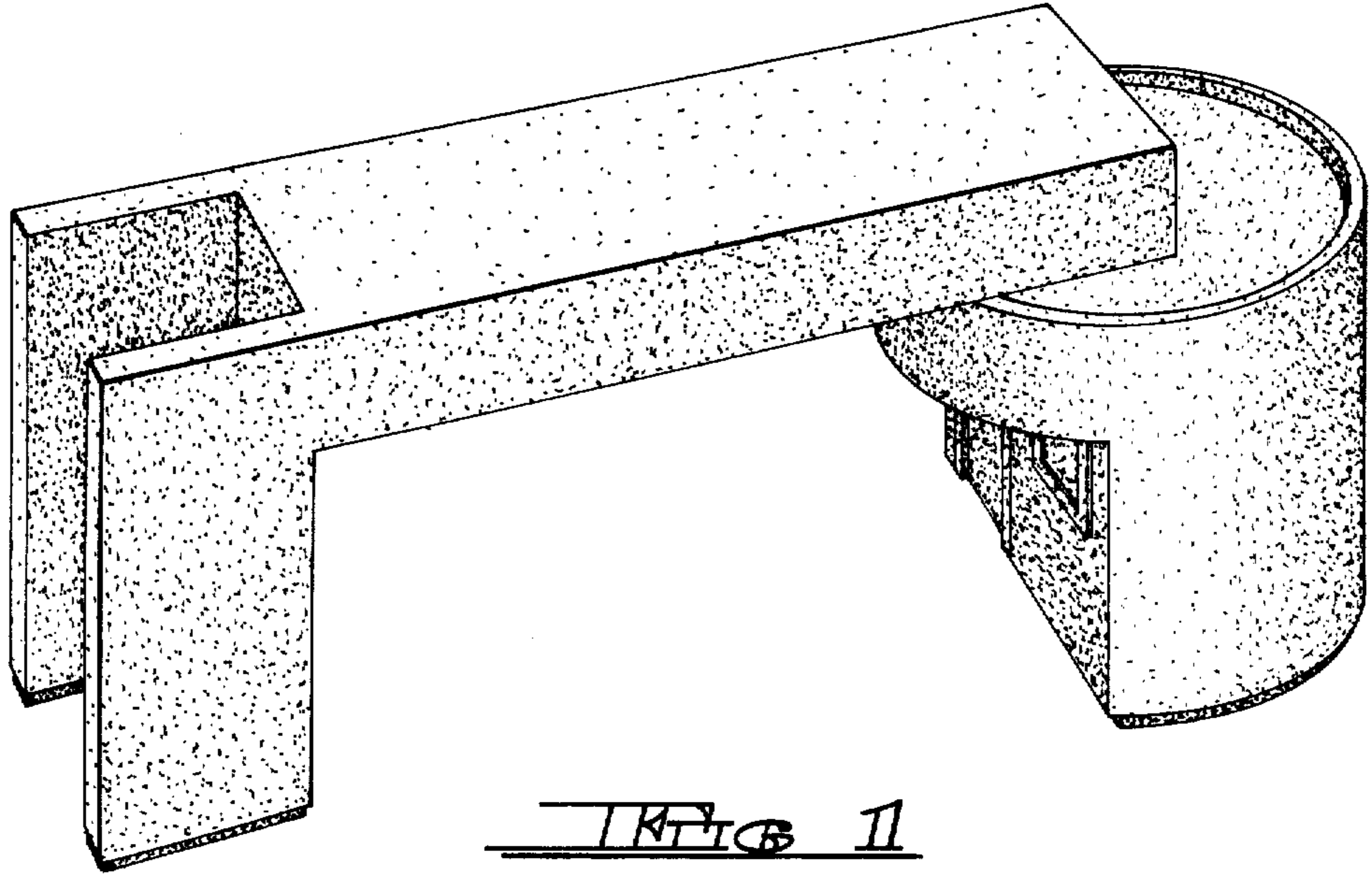


FIG 1

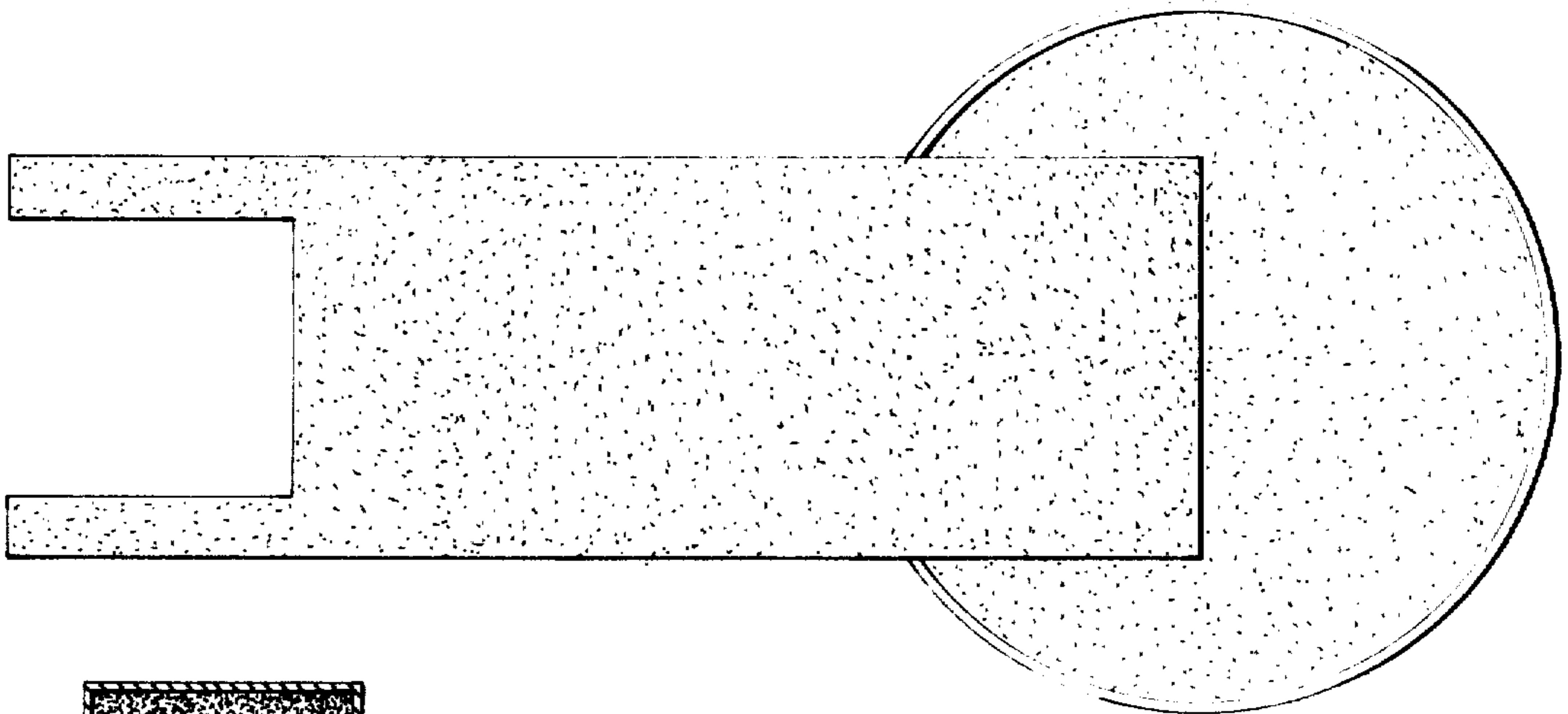


FIG 2

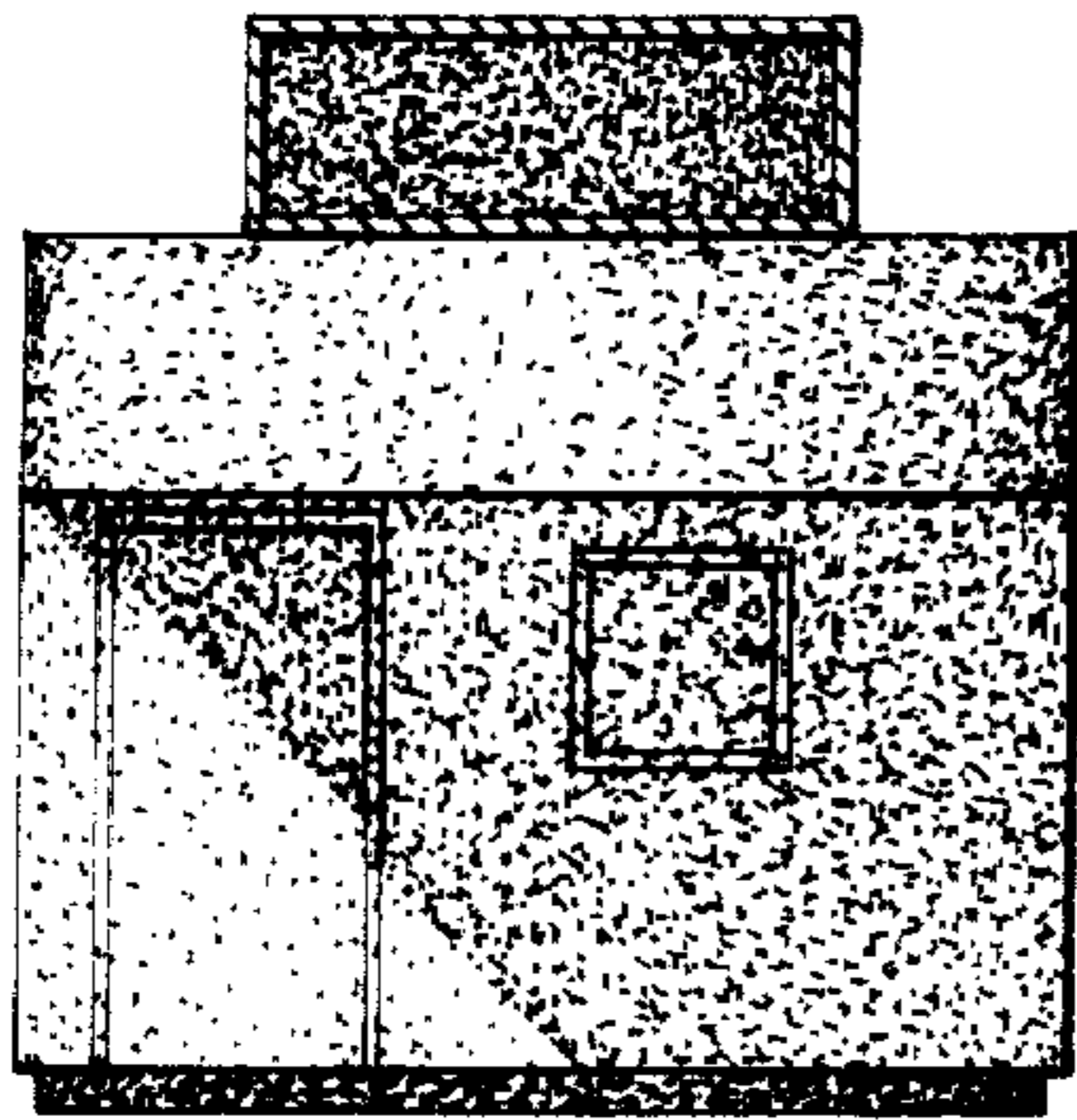


FIG 3

