

[54] **POWER BLOWER**

[75] Inventor: **Masatoshi Satoh, Tokyo, Japan**

[73] Assignee: **Kioritz Corporation, Tokyo, Japan**

[**] Term: **14 Years**

[21] Appl. No.: **172,185**

[22] Filed: **Jul. 25, 1980**

[51] Int. Cl. **D23-04**

[52] U.S. Cl. **D23/155**

[58] Field of Search **D23/139-167;**
 415/121 R, 183; 417/234, 364, 411; 239/154,
 375

[56] **References Cited**

U.S. PATENT DOCUMENTS

D. 227,987	7/1973	La Gorce	D23/162
D. 235,871	7/1975	Parke et al.	D23/18
D. 258,908	4/1981	Satoh	D23/155

2,850,228	9/1958	Rowley	417/234 X
3,883,271	5/1975	Mertes	417/234
3,900,165	8/1975	Parke et al.	239/375
4,089,441	5/1978	Cole et al.	239/154 X
4,132,507	1/1979	Akigama et al.	417/234
4,237,576	12/1980	Stakes	417/234 X
4,269,571	5/1981	Shikutani et al.	417/234

Primary Examiner—James R. Largen
Attorney, Agent, or Firm—Norbert P. Holler; Charles A. Blank

[57] **CLAIM**

The ornamental design for a power blower, as shown.

DESCRIPTION

FIG. 1 is a perspective view taken from the top, rear and right side of a power blower showing my new design;

FIG. 2 is a perspective view taken from the top, front and left side thereof; and

FIG. 3 is a bottom plan view thereof.

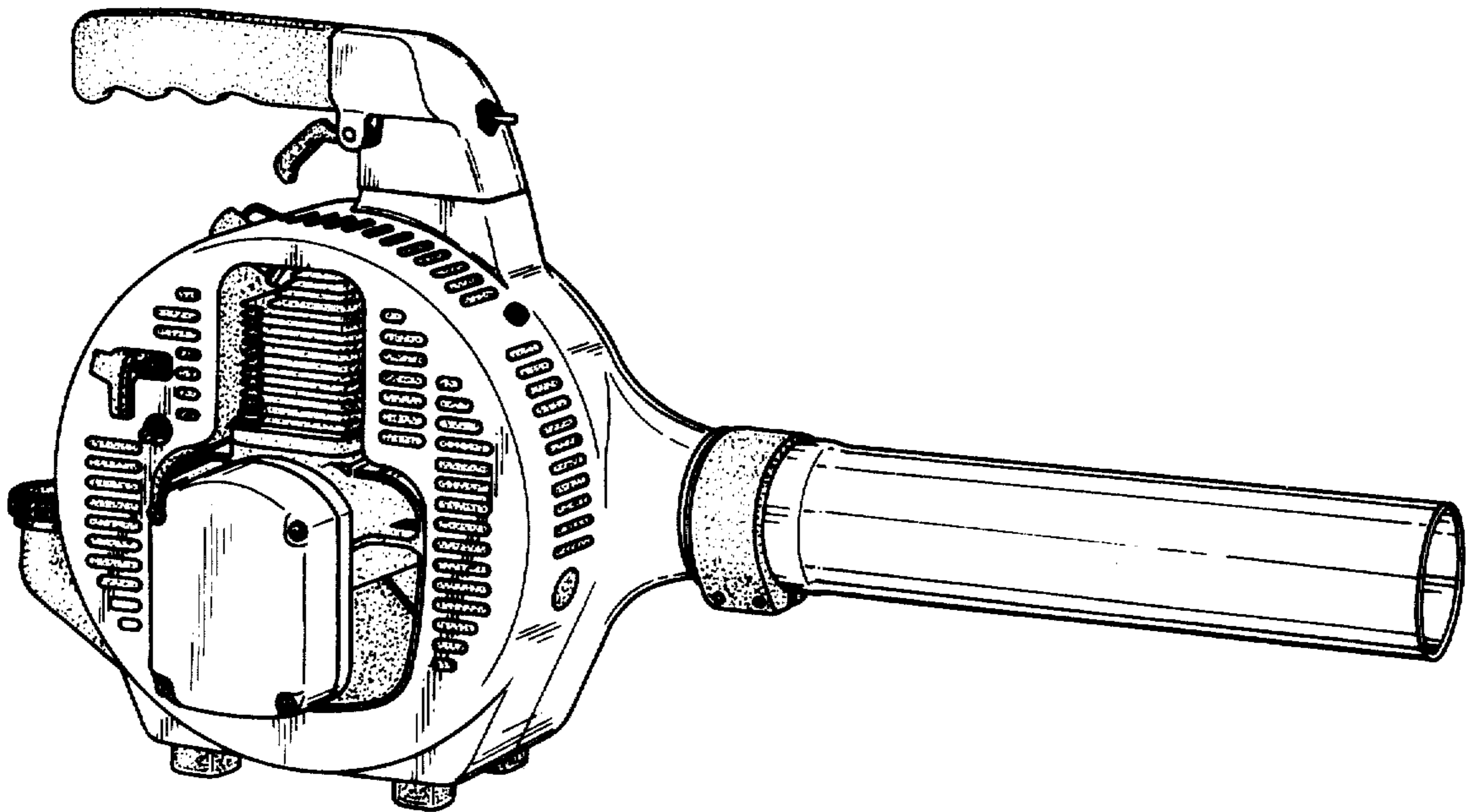


FIG. 1

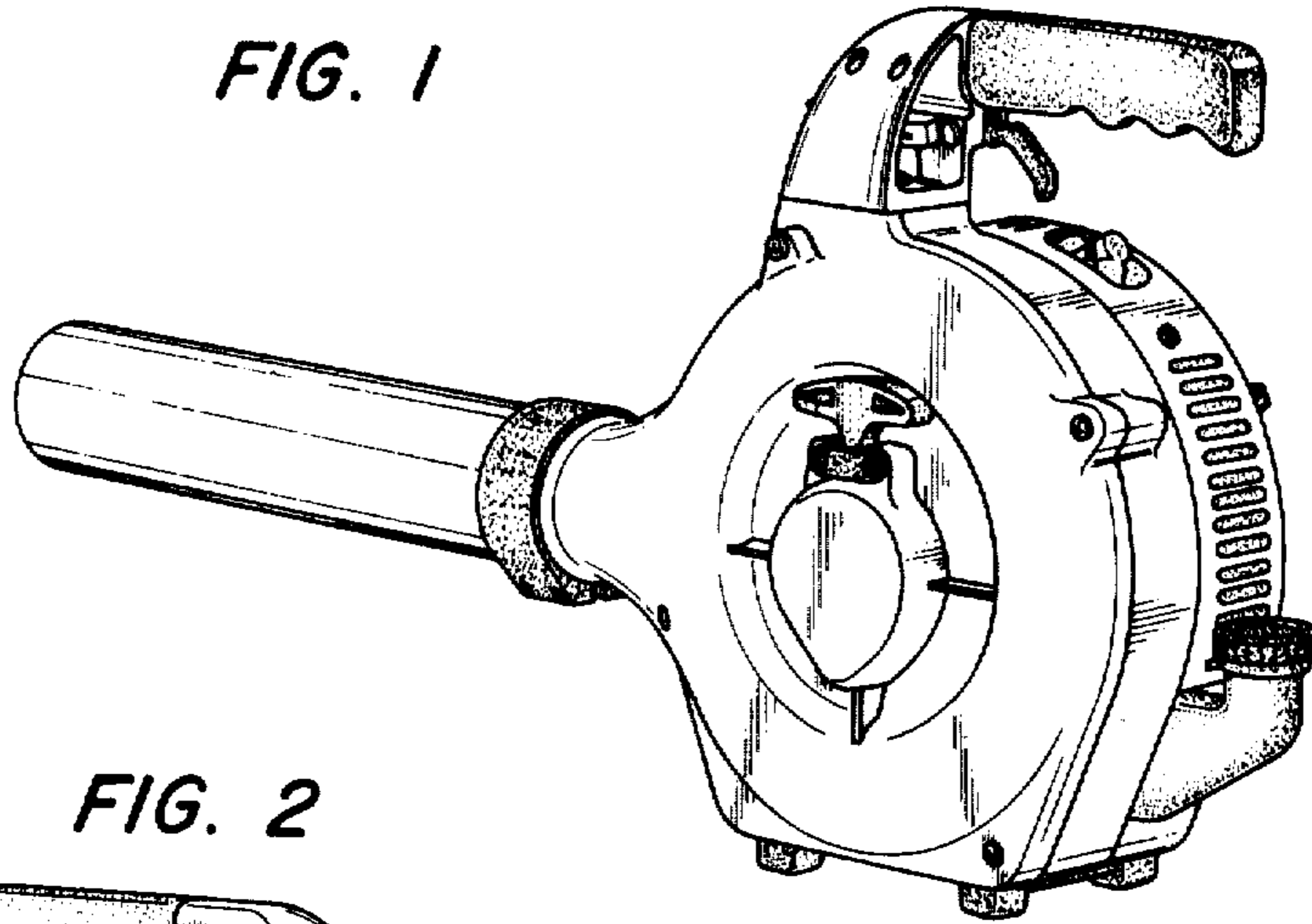


FIG. 2

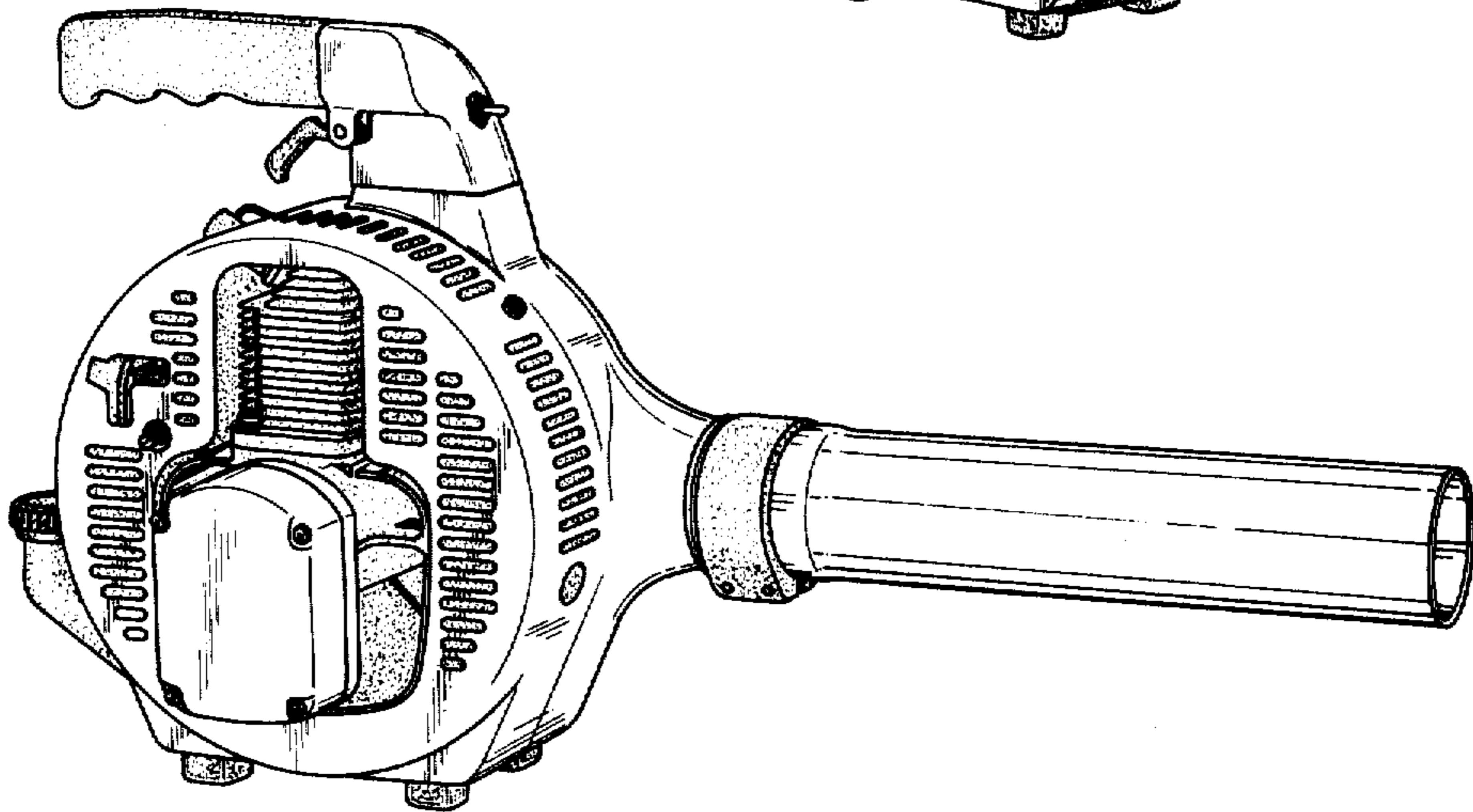
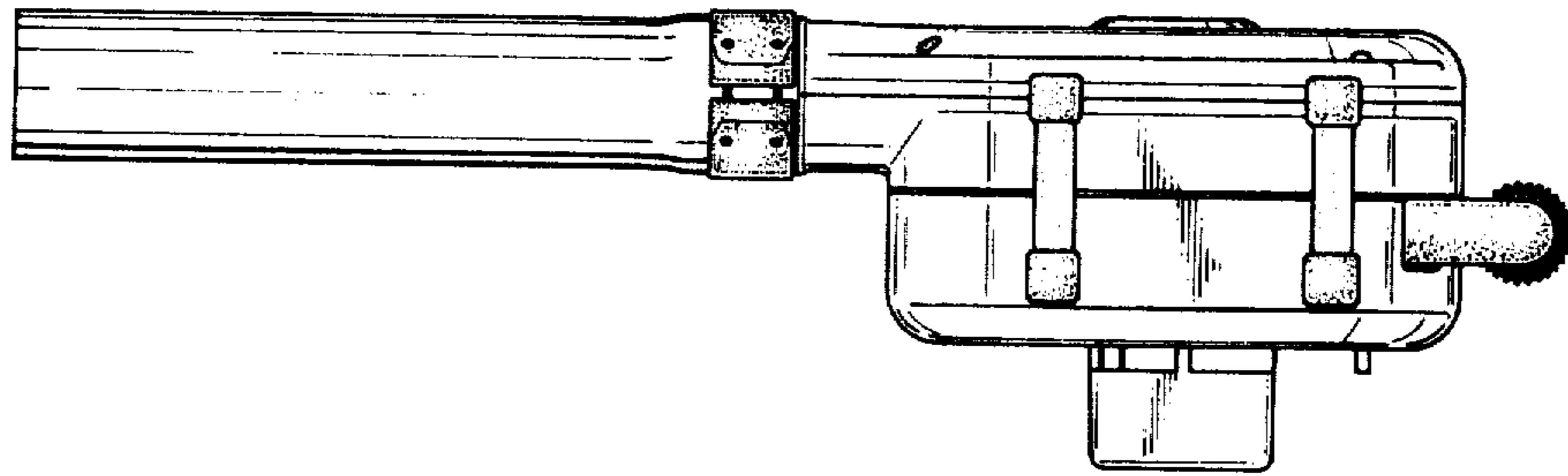


FIG. 3



UNITED STATES PATENT AND TRADEMARK OFFICE
CERTIFICATE OF CORRECTION

PATENT NO. : Des. 266,587
DATED : October 19, 1982
INVENTOR(S) : Masatoshi Satoh

It is certified that error appears in the above-identified patent and that said Letters Patent is hereby corrected as shown below:

On the title page add:

-- 30 Foreign Application Priority Data
55-5769 Japan Feb. 20, 1980 --.

Signed and Sealed this
Twenty-fifth Day of January 1983

[SEAL]

Attest:

Attesting Officer

GERALD J. MOSSINGHOFF
Commissioner of Patents and Trademarks