

[54] INDIVIDUAL HEAT-REFLECTING DEVICE

[76] Inventors: **Jury M. Barats**, ulitsa Postysheva, 107, kv. 1; **Jury N. Kiklevich**, ulitsa Universitetskaya, 97, kv. 26; **Valentin A. Selin**, ulitsa Universitetskaya, 100a, kv. 178, all of Donetsk, U.S.S.R.

[**] Term: **14 Years**

[21] Appl. No.: **124,951**

[22] Filed: **Feb. 26, 1980**

[30] Foreign Application Priority Data
May 19, 1977 [SU] U.S.S.R. 15489

[51] Int. Cl. **D23-03**
[52] U.S. Cl. **D23/77**
[58] Field of Search **D23/72, 74, 77;**
126/204, 206, 208, 210; 165/46

[56]

References Cited

U.S. PATENT DOCUMENTS

3,429,138	2/1969	Goldmerstein	165/46
3,457,908	7/1969	Hamatahl et al.	126/208
3,610,323	10/1971	Troyer	165/46
3,884,216	5/1975	McCartney	126/204
4,118,946	10/1978	Tubin	126/204 X

Primary Examiner—Catherine E. Kemper
Attorney, Agent, or Firm—Robert E. Burns; Emmanuel J. Lobato; Bruce L. Adams

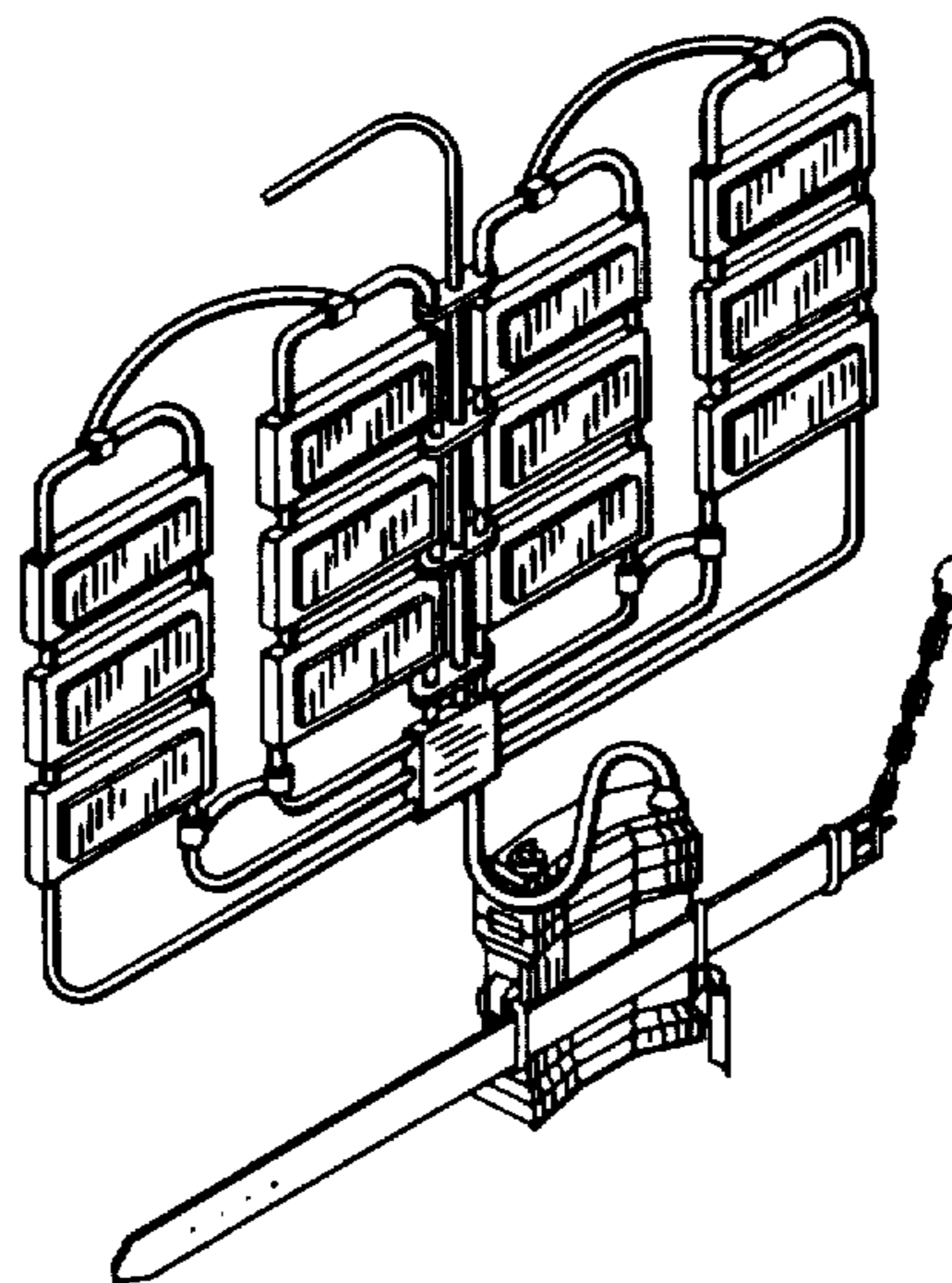
[57]

CLAIM

The ornamental design for an individual heat-reflecting device, as shown and described.

DESCRIPTION

FIG. 1 is a front elevation view of an individual heat-reflecting device showing our new design;
FIG. 2 is a rear elevation view thereof;
FIG. 3 is a top plan view thereof;
FIG. 4 is a bottom plan view thereof;
FIG. 5 is a right side elevation view thereof;
FIG. 6 is a left side elevation view thereof;
FIG. 7 is a top front perspective view thereof;
FIG. 8 is a bottom rear perspective view thereof.



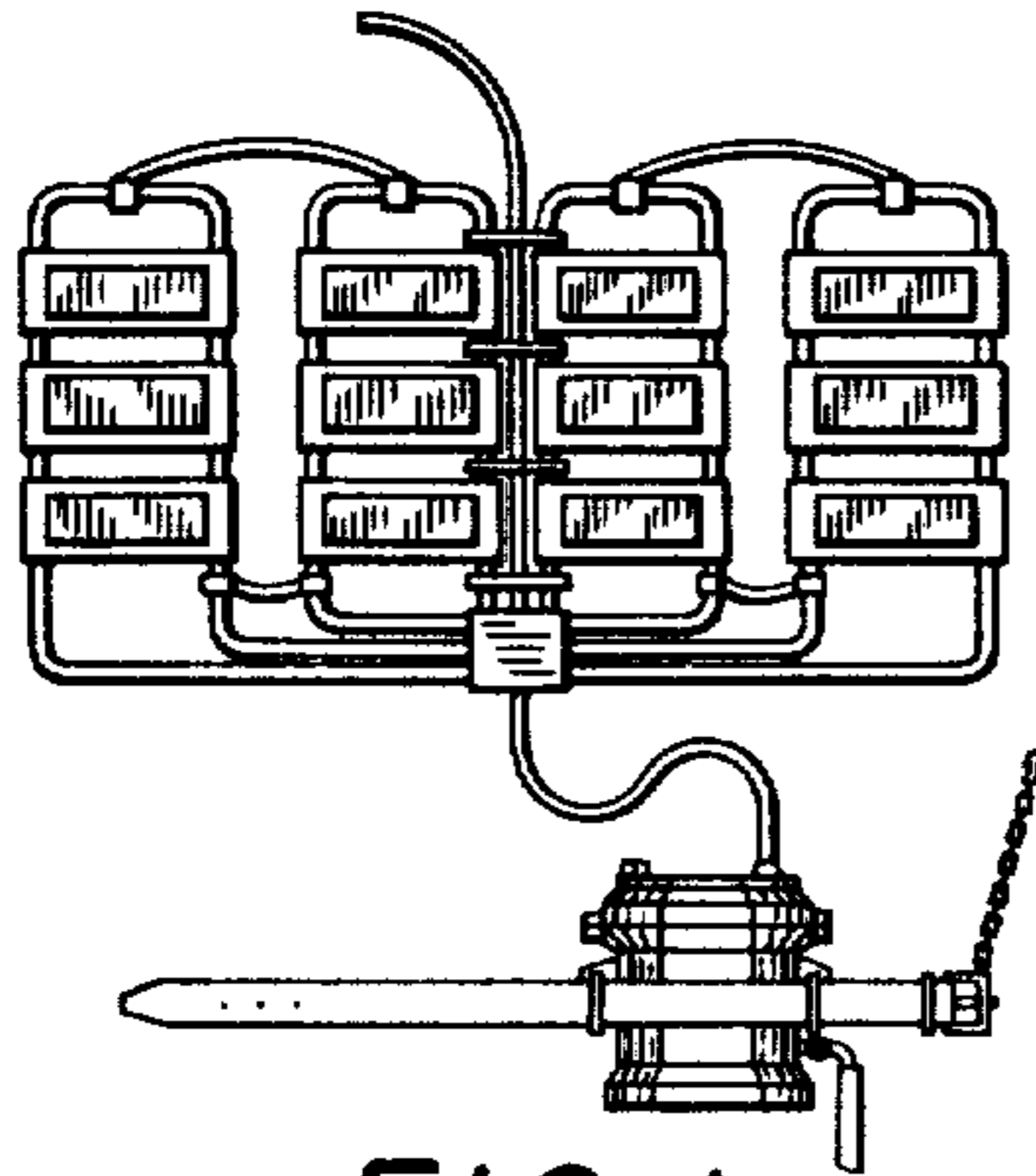


FIG. 1

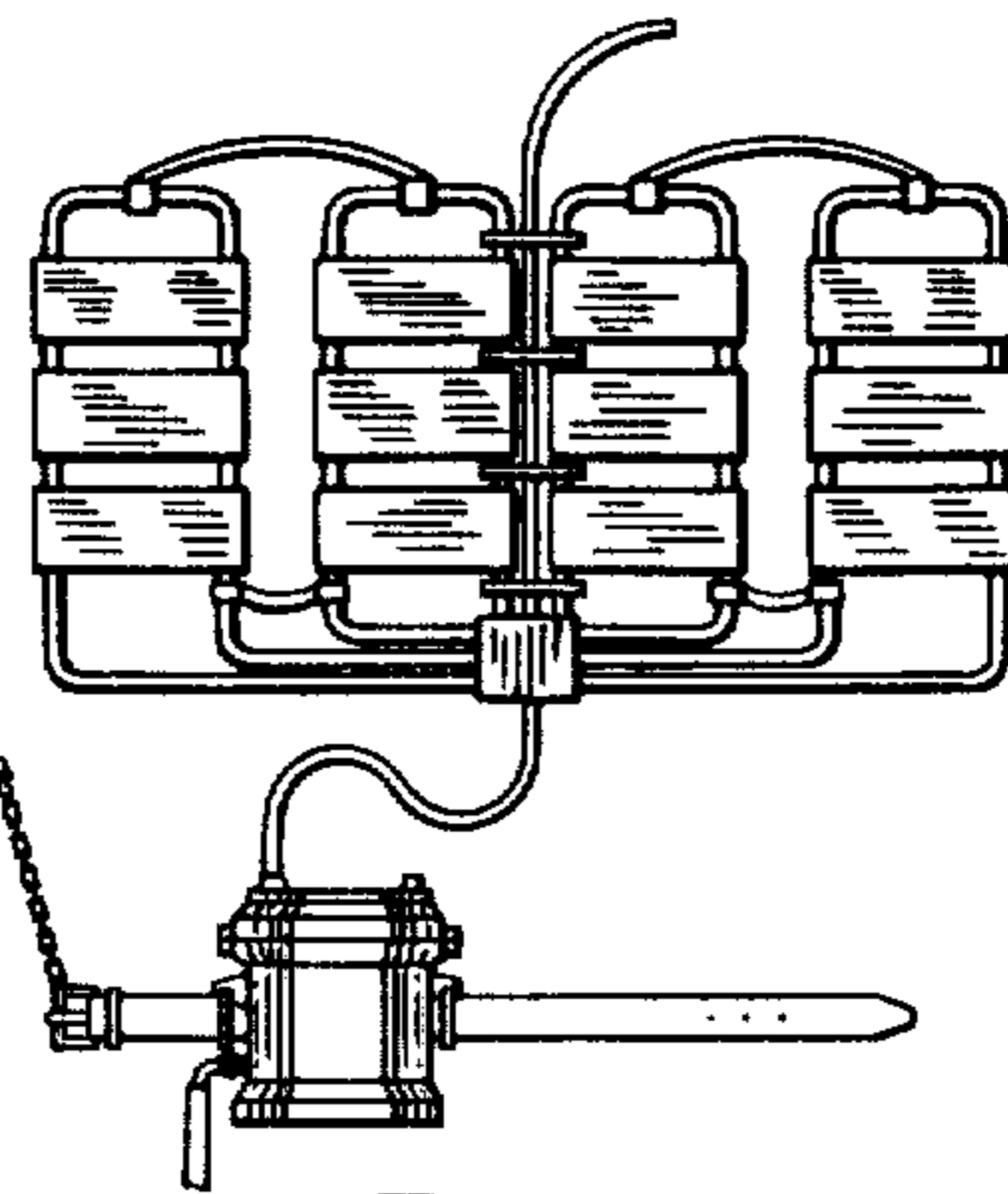


FIG. 2

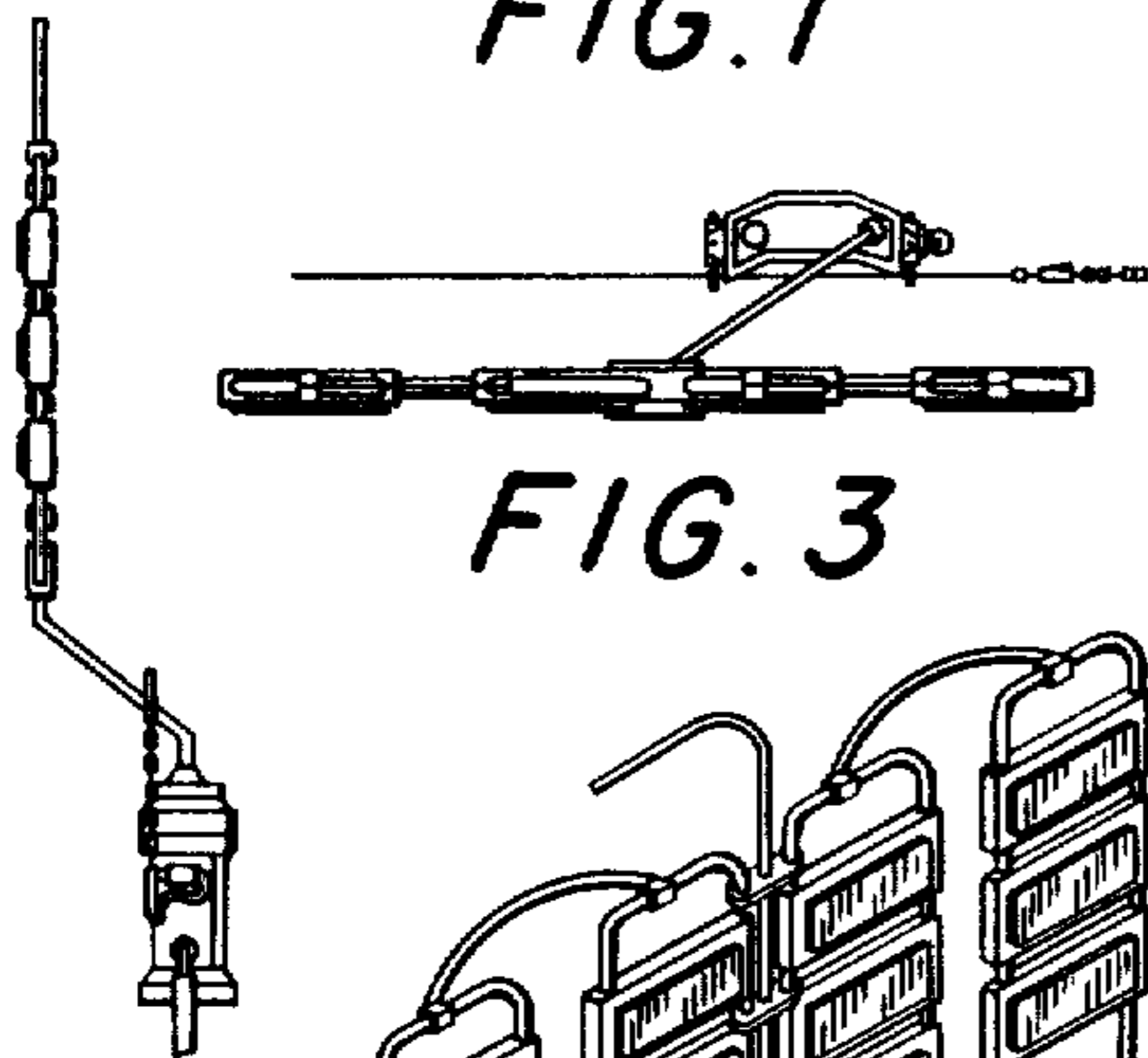


FIG. 3

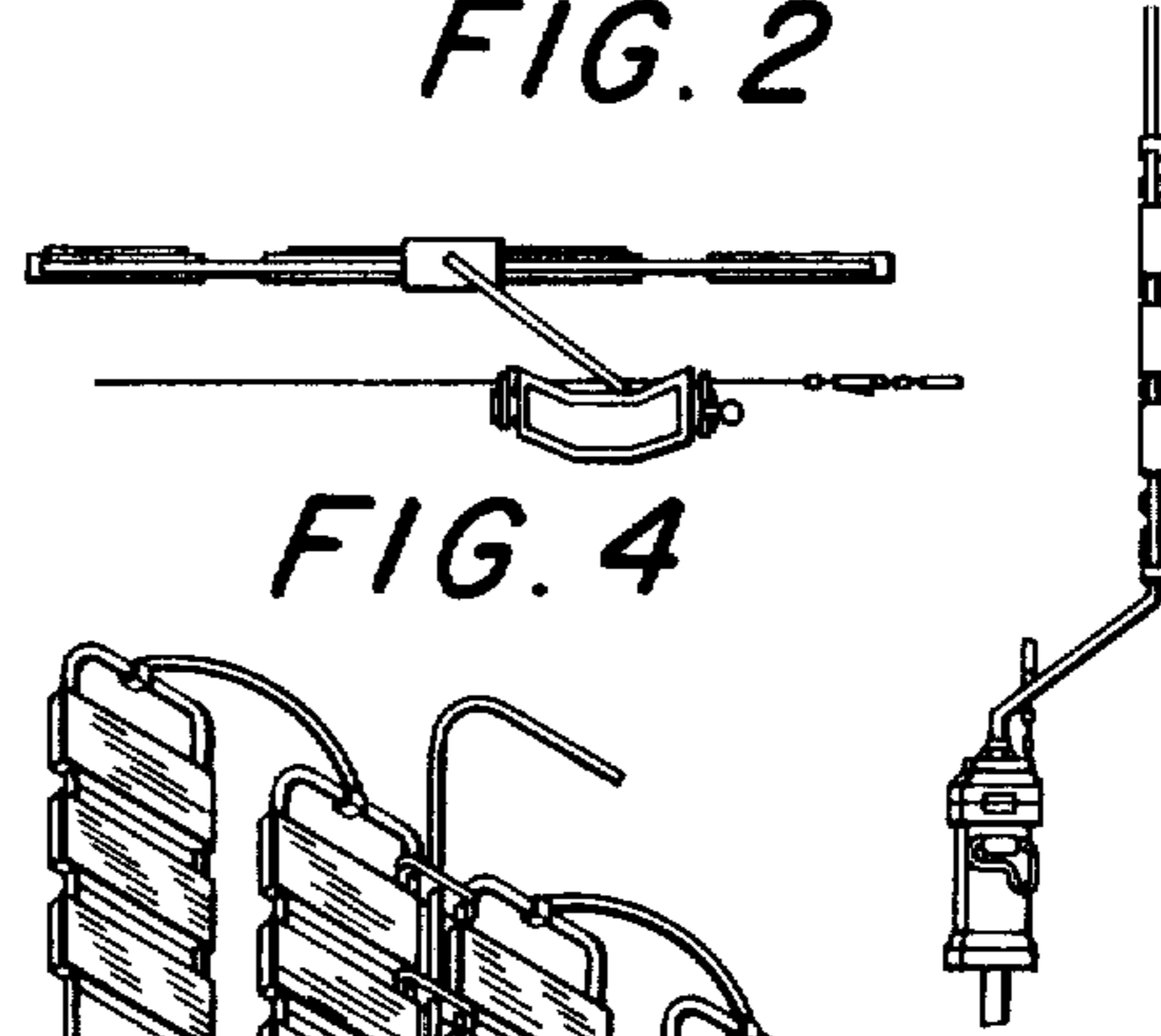


FIG. 4

FIG. 5

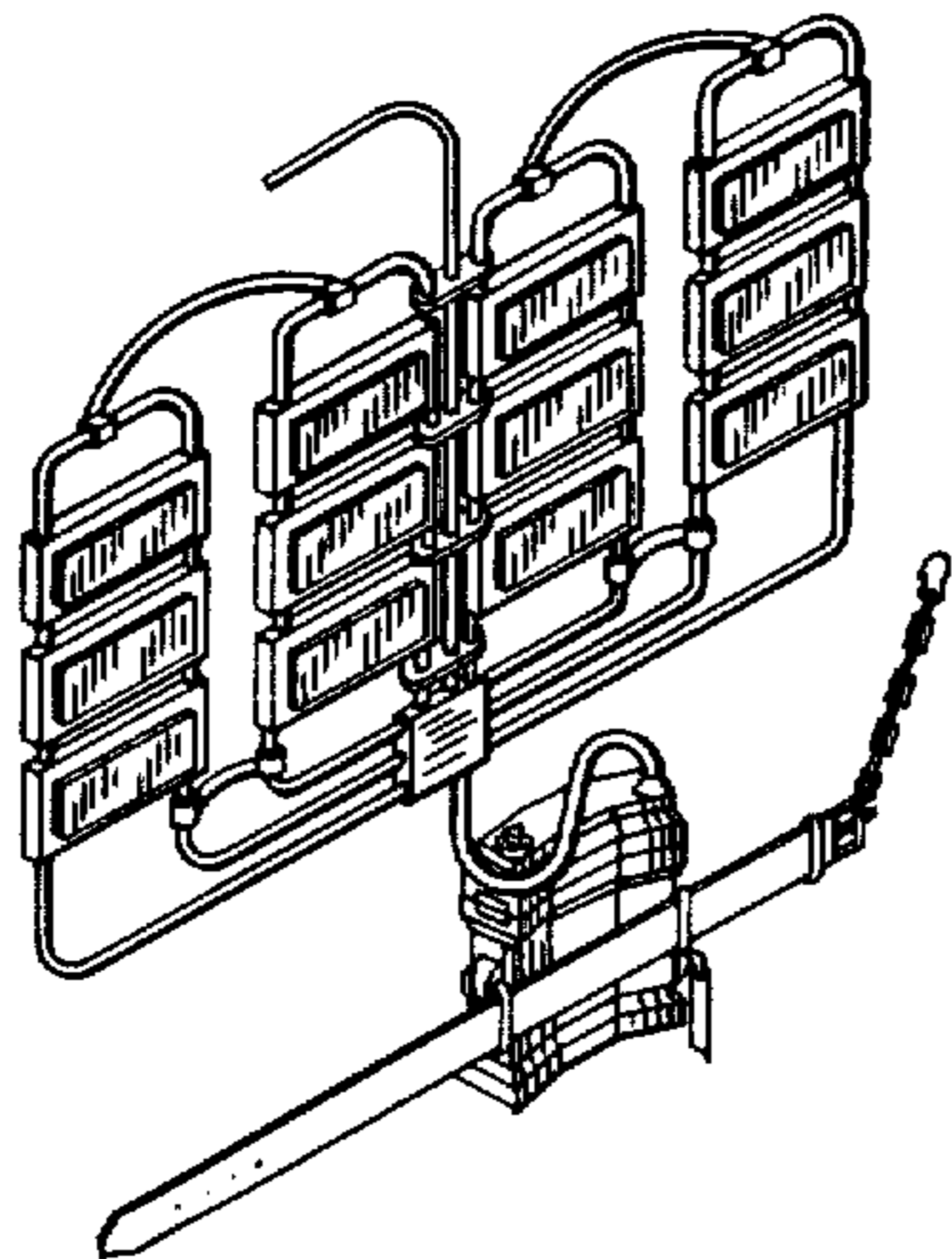


FIG. 7

FIG. 6

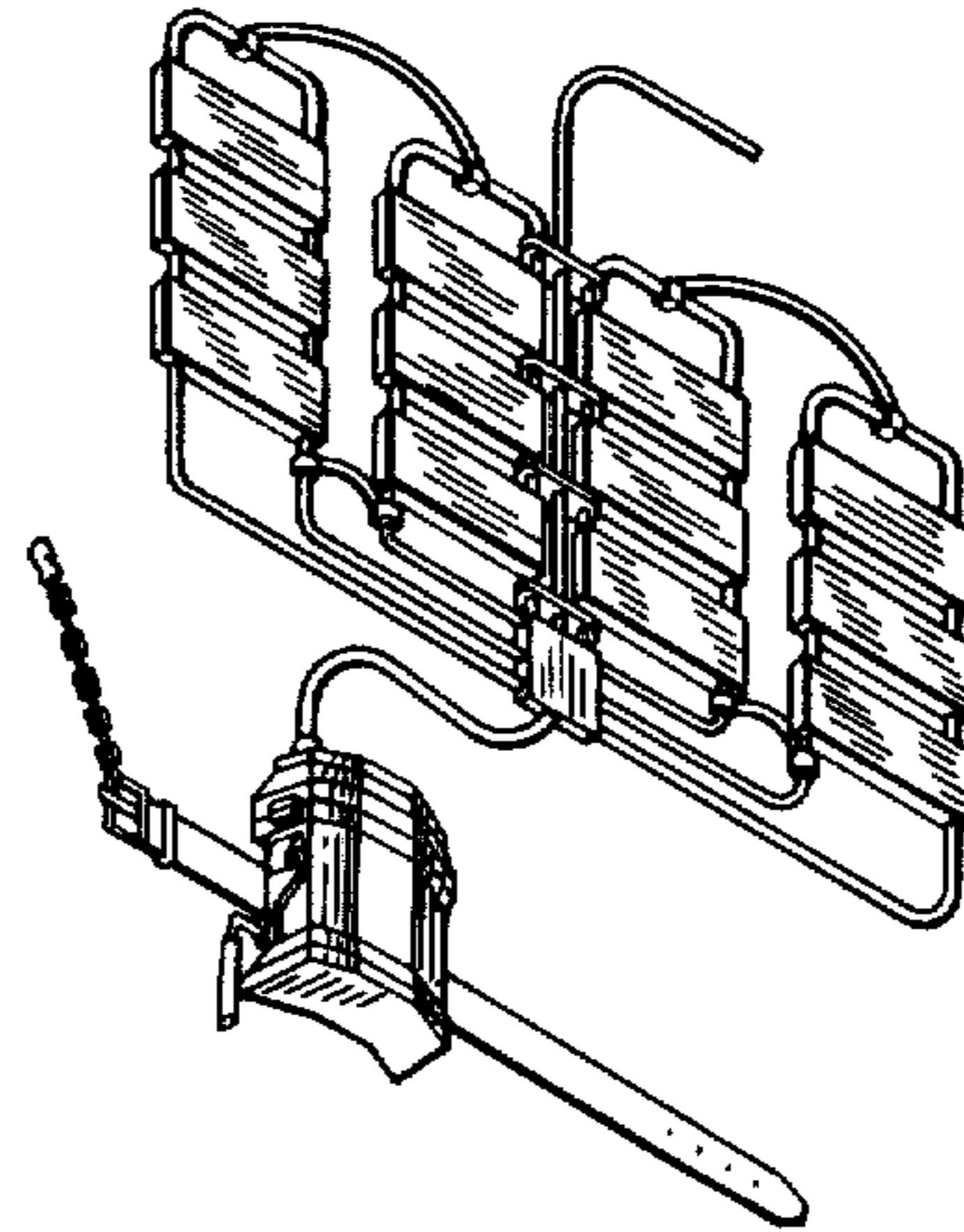


FIG. 8