

[54] SCRAPER FOR SKI POLE OR SIMILAR ARTICLE

[76] Inventor: Irwin M. Krive, 31 Slocum Ave., Port Washington, N.Y. 11050

[\*\*] Term: 14 Years

[21] Appl. No.: 52,338

[22] Filed: Jun. 27, 1979

[51] Int. Cl. .... D21-02

[52] U.S. Cl. .... D21/230; D32/47

[58] Field of Search ..... D3/7; D21/230; D7/182, D7/184, 181, 185; 15/236 R, 237; 30/169, 171, 172; 280/813

[56] References Cited

U.S. PATENT DOCUMENTS

D. 233,586	11/1974	Kopp	.....	D7/182
D. 247,415	3/1978	Harper	.....	D7/182
3,350,111	10/1967	Sahlein et al.	.....	D21/230
4,000,909	1/1977	Coale	.....	280/813
4,145,062	3/1979	Stiemert	.....	280/813

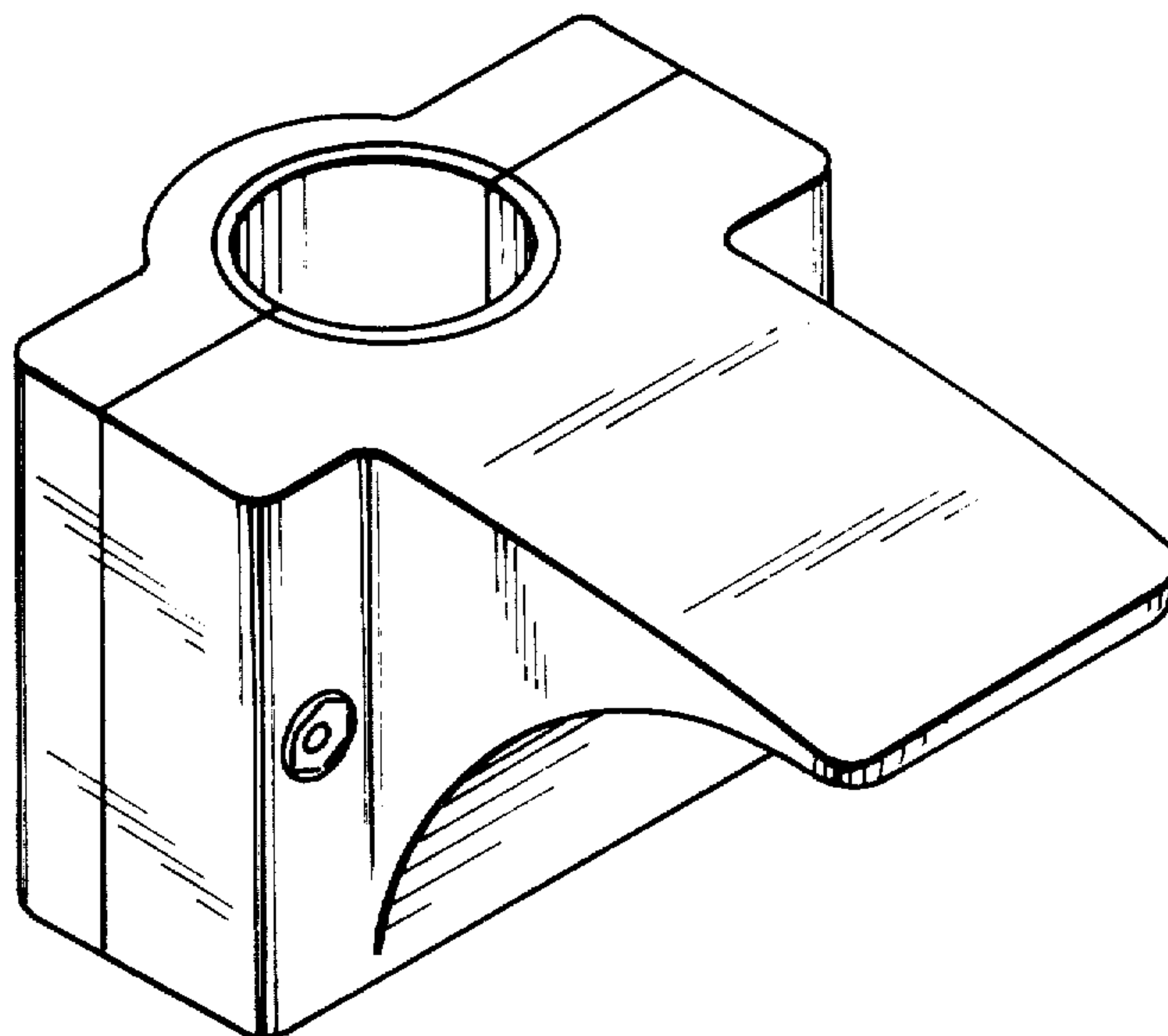
Primary Examiner—Charles A. Rademaker  
Attorney, Agent, or Firm—James J. Salerno, Jr.

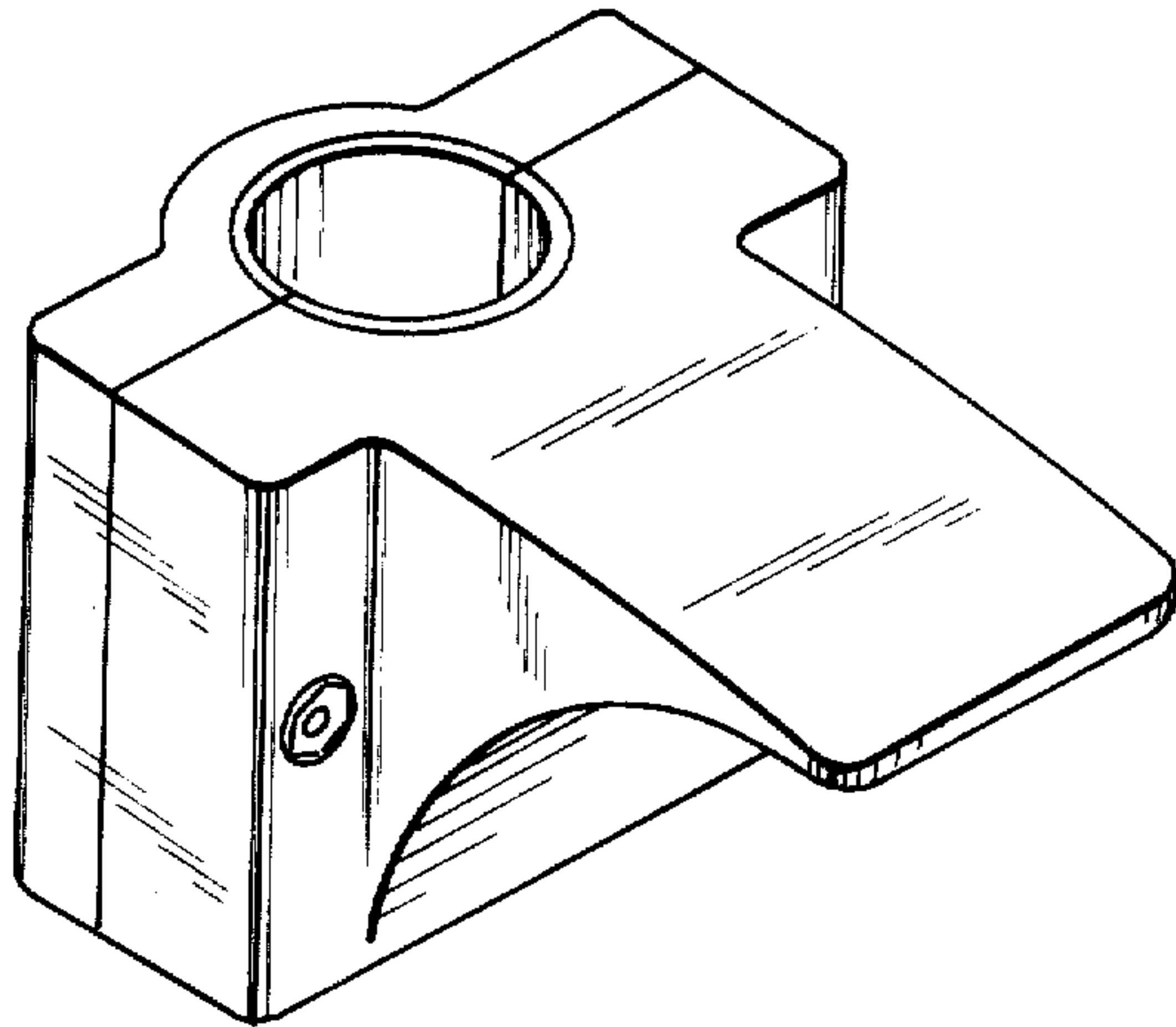
[57] CLAIM

The ornamental design for a scraper for ski pole or similar article, substantially as shown and described.

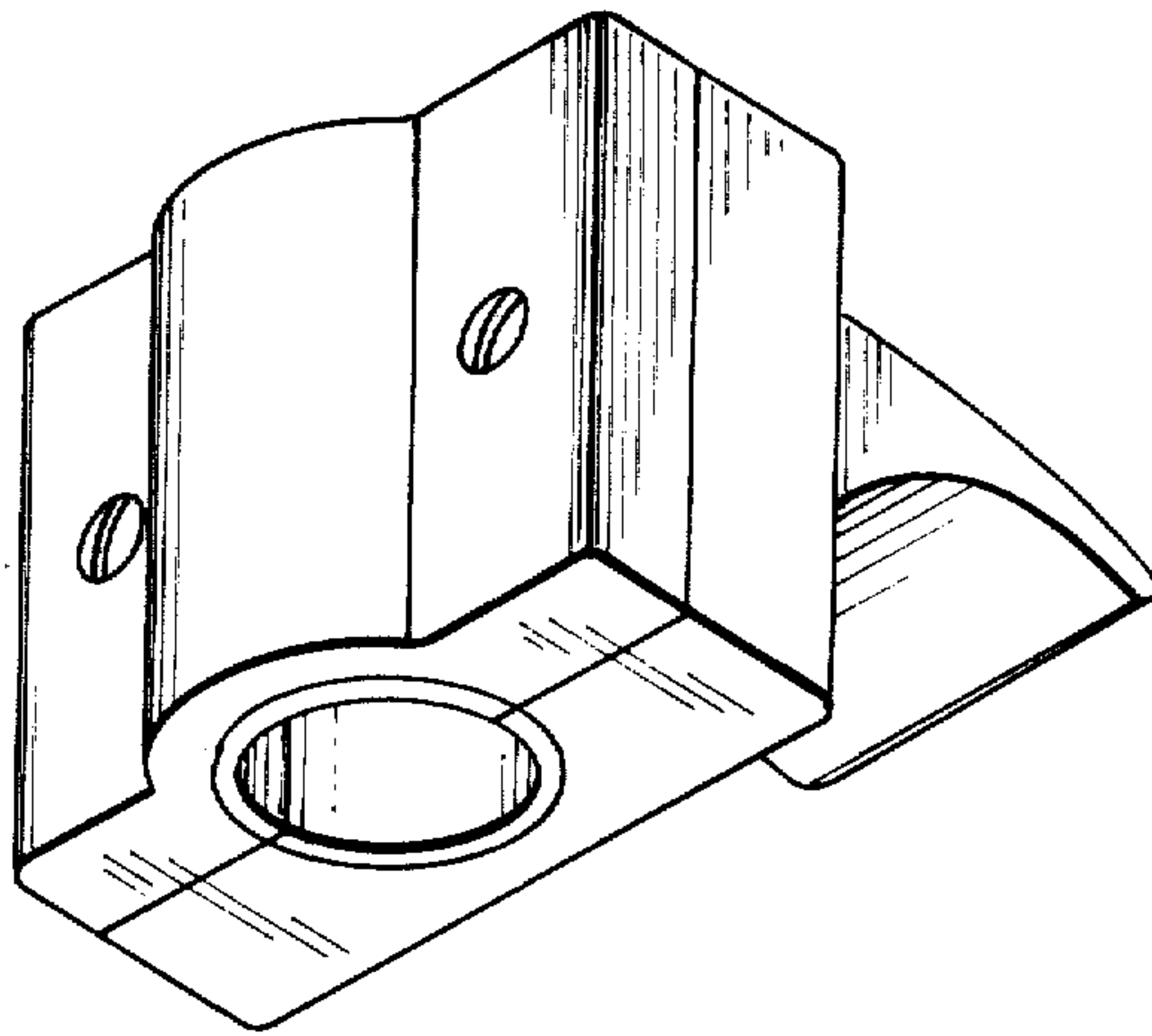
DESCRIPTION

FIG. 1 is a top perspective view of a scraper for ski pole or similar article showing my new design; and FIG. 2 is a bottom perspective view thereof.





**FIG. 1**



**FIG. 2**