

[54] INK ROLL SET FOR PRINTING APPARATUS

[75] Inventor: Masahiko Mori, Shiojiri, Japan

[73] Assignees: Kabushiki Kaisha Suwa Seikosha, Tokyo; Shinshu Seiki Kabushiki Kaisha, Nagano, both of Japan

[\*\*] Term: 14 Years

[21] Appl. No.: 180,223

[22] Filed: Aug. 21, 1980

[30] Foreign Application Priority Data

Mar. 18, 1980 [JP] Japan ..... 55-10616

[51] Int. Cl. .... D18-99

[52] U.S. Cl. .... D18/22

[58] Field of Search ..... D18/22; 101/288, 295, 101/327, 329, 348, 359

[56] References Cited

U.S. PATENT DOCUMENTS

- D. 243,795 3/1977 Sato ..... D18/22
- 3,491,719 1/1970 Rudy ..... 101/327
- 4,051,781 10/1977 Nishikawa ..... 101/348

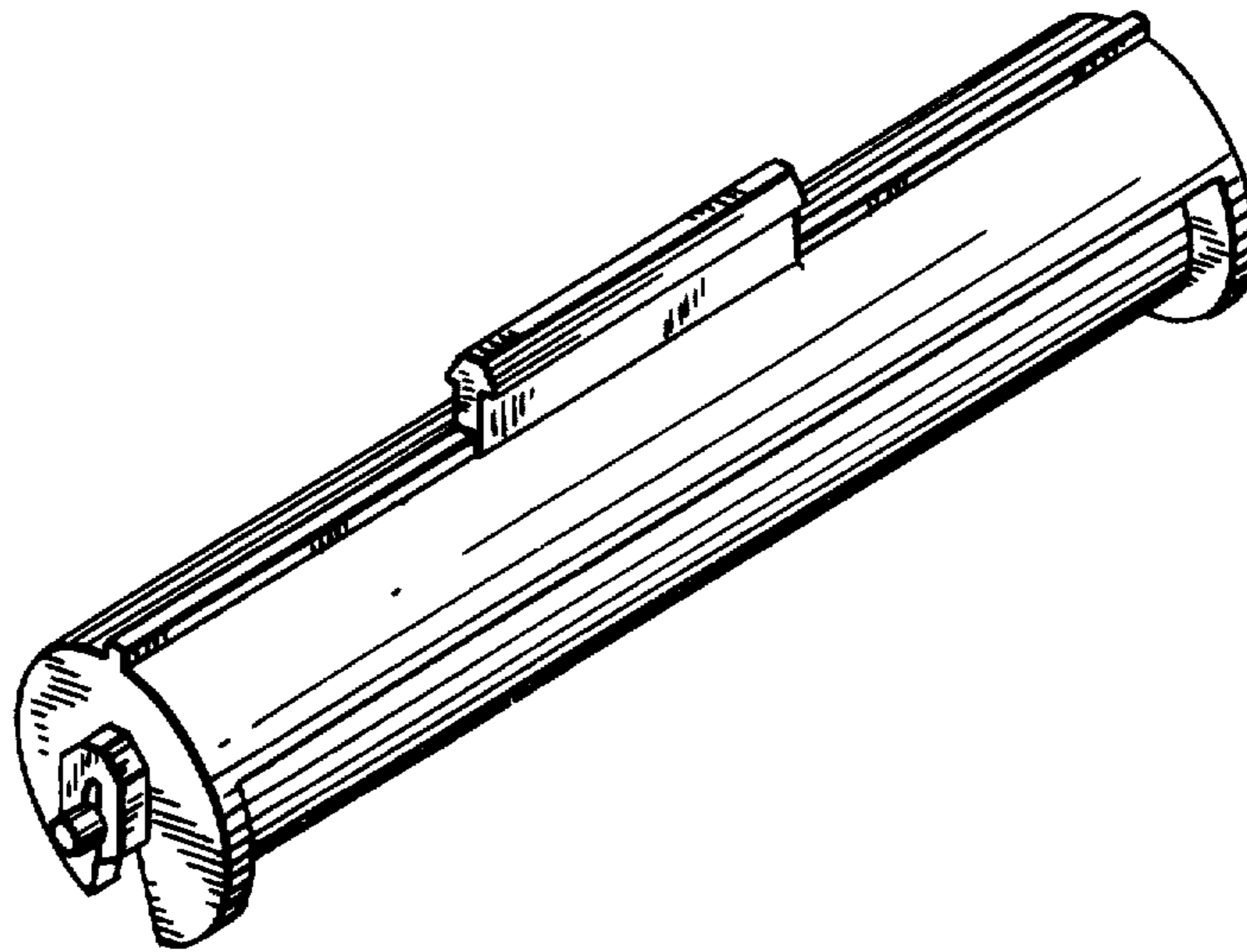
Primary Examiner—Melvin B. Feifer  
Attorney, Agent, or Firm—Blum, Kaplan, Friedman, Silberman & Beran

[57] CLAIM

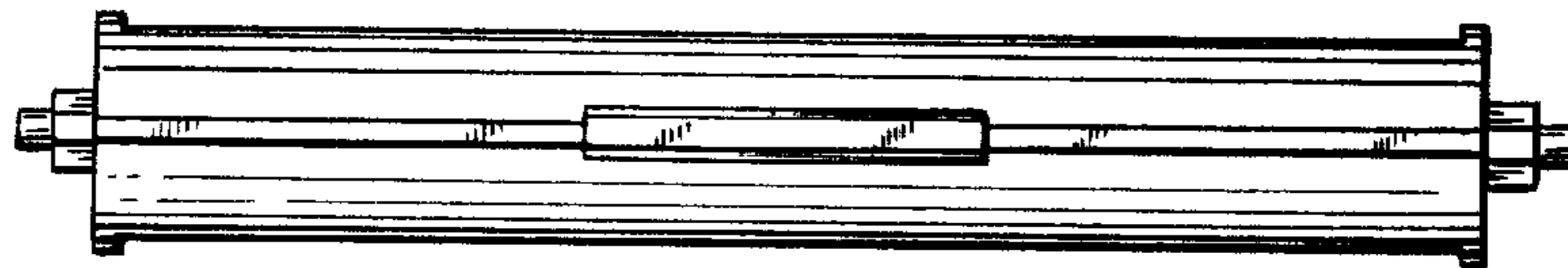
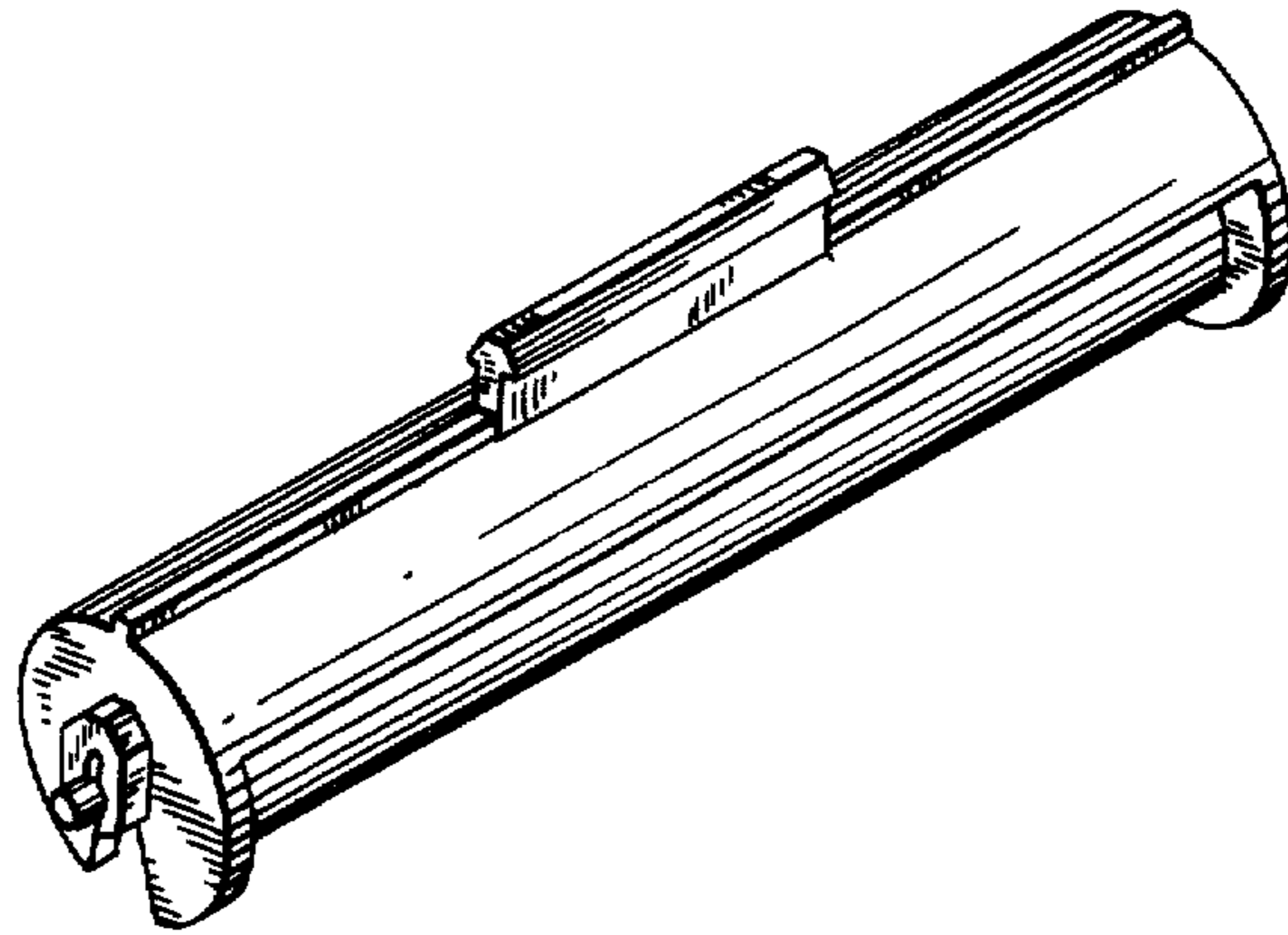
The ornamental design for an ink roll set for printing apparatus, as shown and described.

DESCRIPTION

FIG. 1 is a front perspective view of an ink roll set for printing apparatus in accordance with my new design; FIG. 2 is a top plan view thereof; FIG. 3 is a front elevational view thereof; FIG. 4 is a bottom plan view thereof; and FIG. 5 is a right side view thereof which is symmetrical with the left side view thereof.

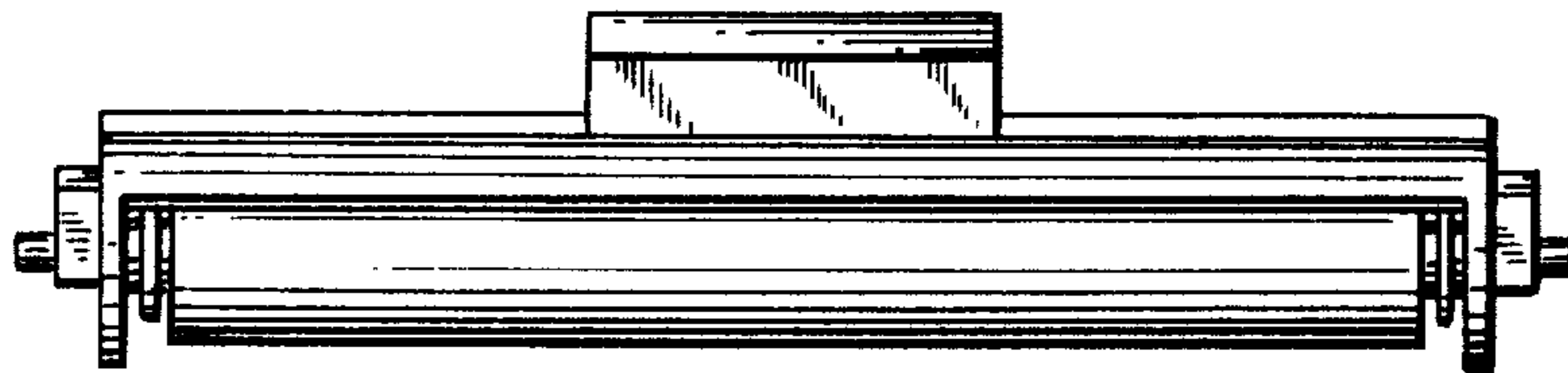


*FIG. 1*

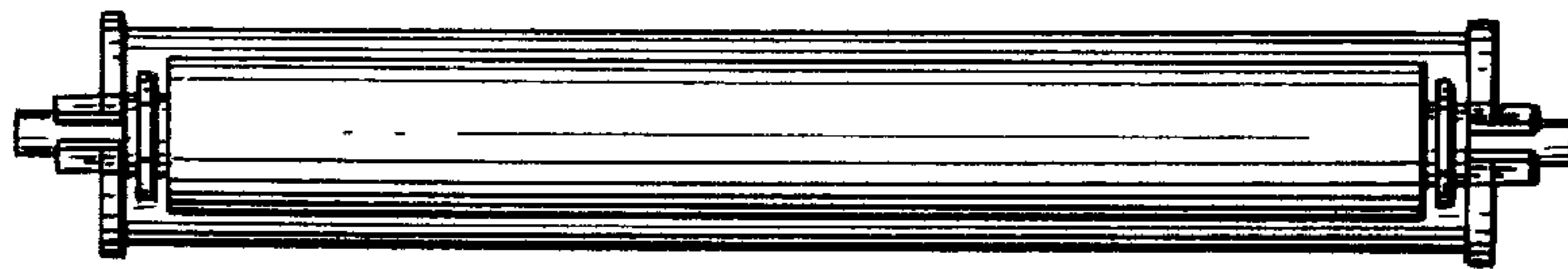


*FIG. 2*

*FIG. 3*



*FIG. 4*



*FIG. 5*

