

[54] ALUMINUM CAN CRUNCHER
[76] Inventor: Richard E. Schmid, 1911 Northshore Dr., Humble, Tex. 77339

[**] Term: 14 Years

[21] Appl. No.: 163,241

[22] Filed: Jun. 26, 1980

[51] Int. Cl. D15-09

[52] U.S. Cl. D15/123

[58] Field of Search D15/123; 100/295, 902, 100/DIG. 2

[56] References Cited

U.S. PATENT DOCUMENTS

D. 240,074	5/1976	Smith	D15/123
D. 247,294	2/1978	Grable	D15/123
4,133,261	1/1979	Belfils	100/902

4,143,595	3/1979	Carlson	100/902
4,168,661	9/1979	Wigdahl	100/902
4,290,354	9/1981	Stevens	100/295

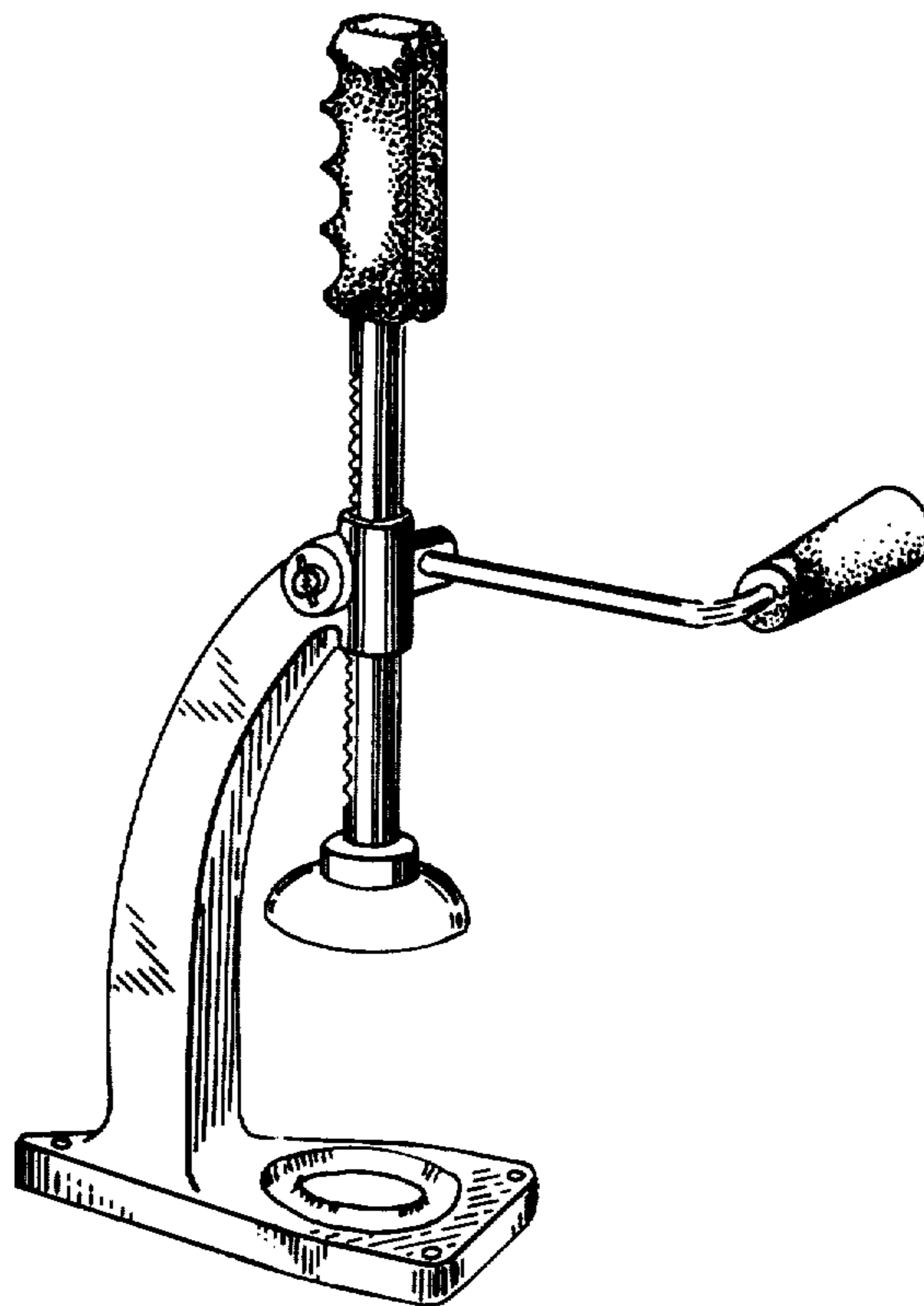
Primary Examiner—B. J. Bullock
Attorney, Agent, or Firm—Jack Darrell

[57] CLAIM

The ornamental design for an aluminum can cruncher, substantially as shown and described.

DESCRIPTION

FIG. 1 is a reduced perspective view of an aluminum can cruncher showing my new design; FIG. 2 is a top plan view thereof; FIG. 3 is a front elevational view thereof; FIG. 4 is a side elevational view taken from the right of FIG. 1; and FIG. 5 is a fragmentary partial enlarged sectional view taken in the direction of the arrows on line 5—5 of FIG. 4.



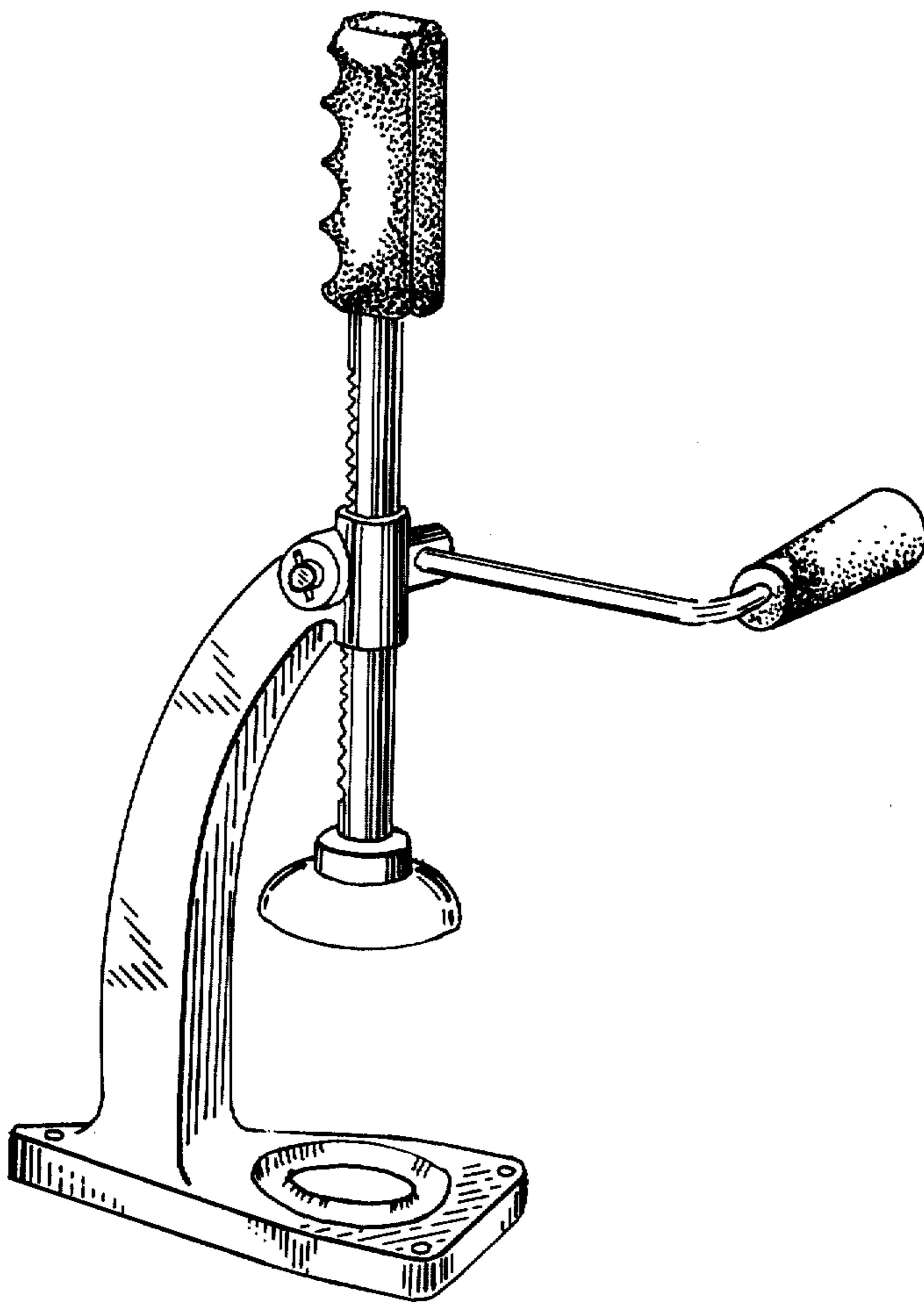


FIG. 1

FIG. 2

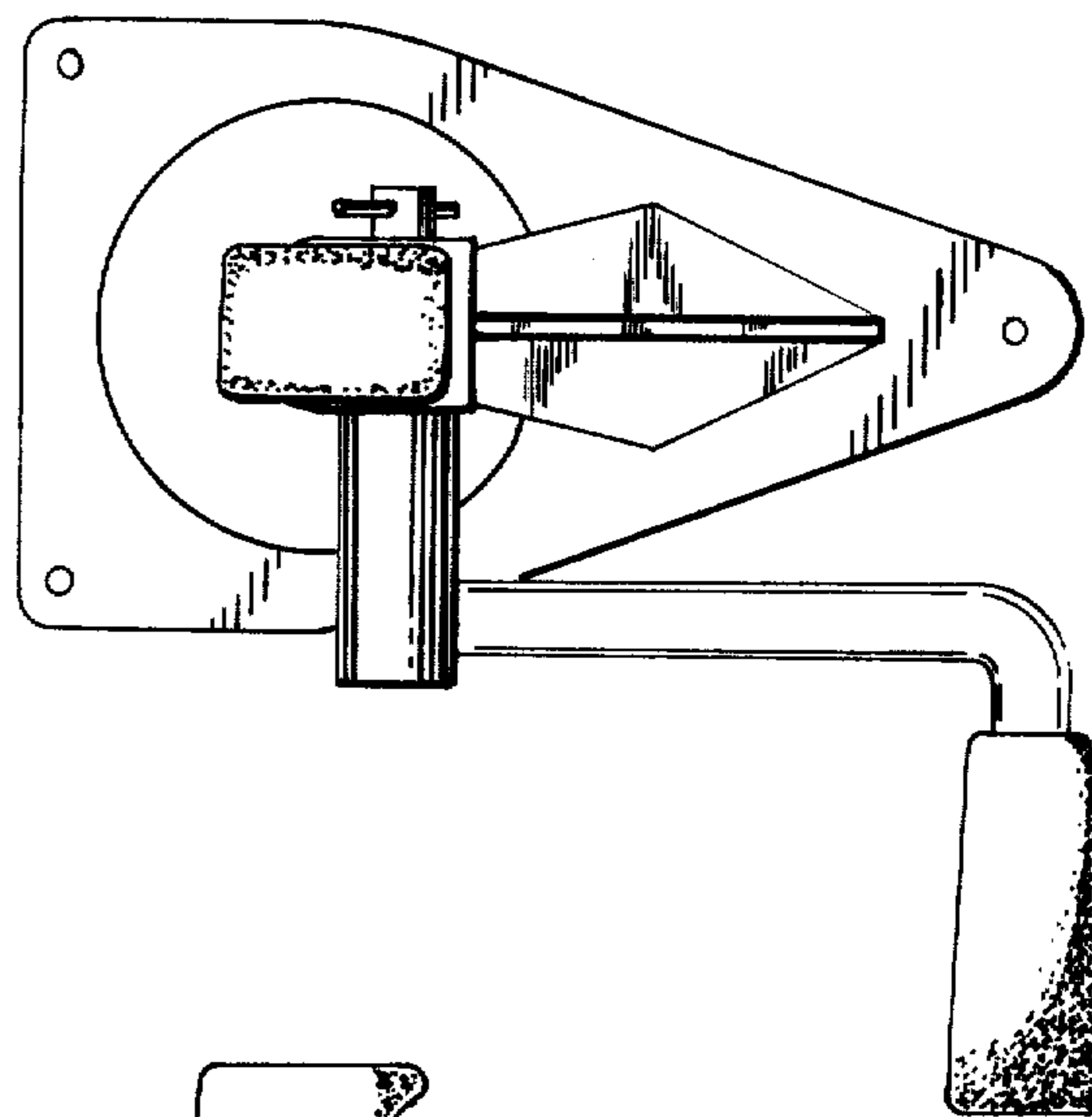


FIG. 3

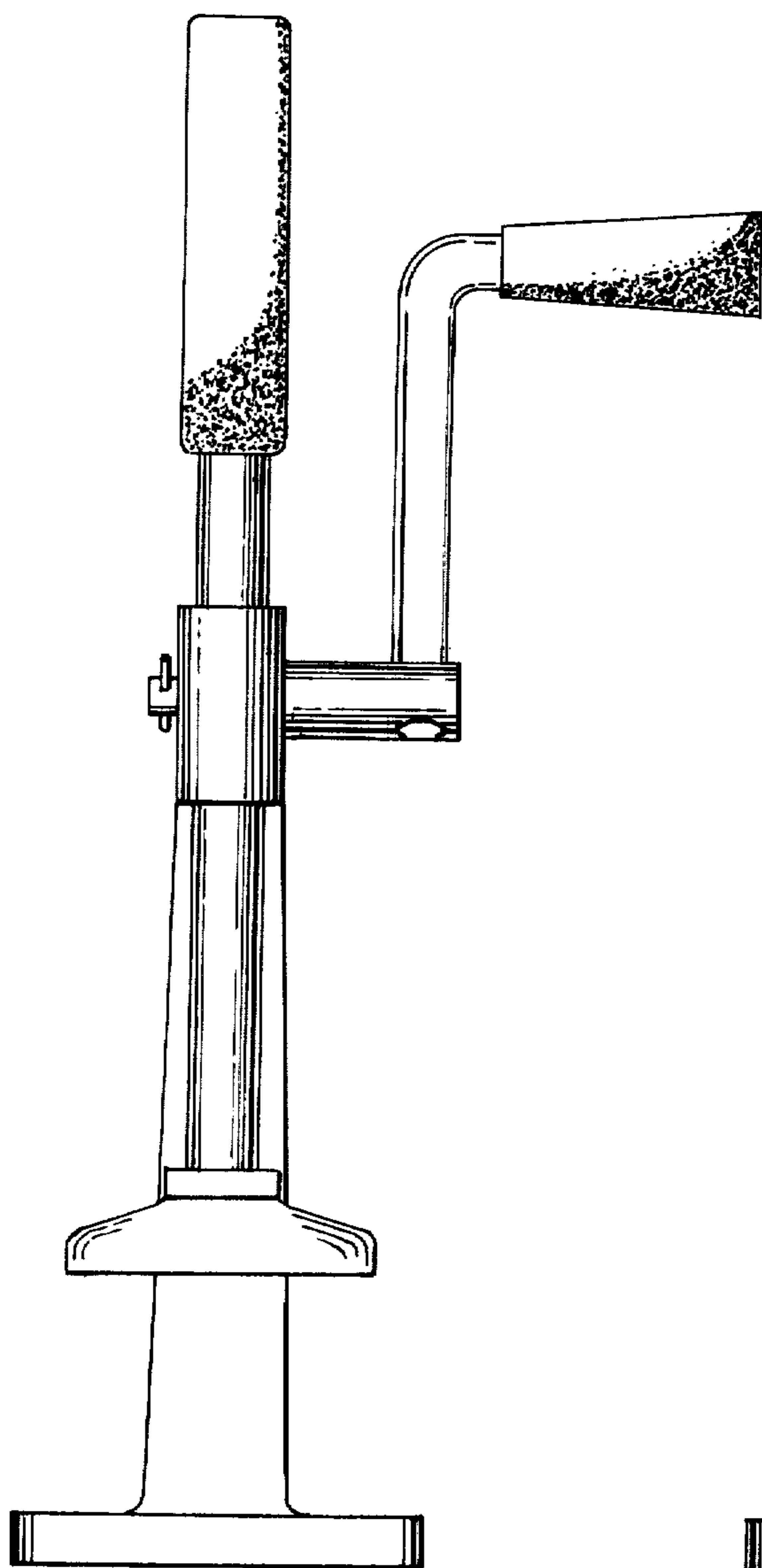
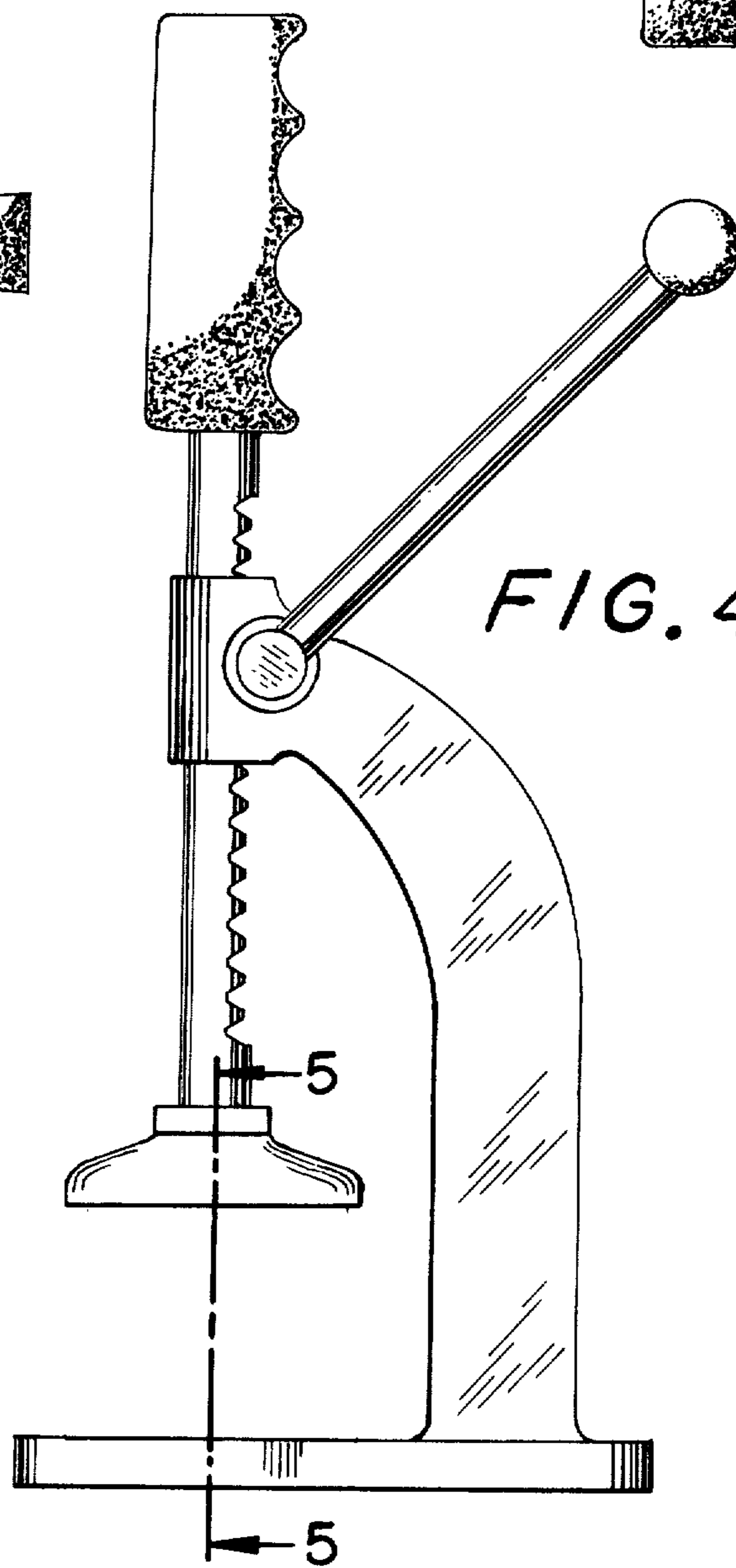


FIG. 4



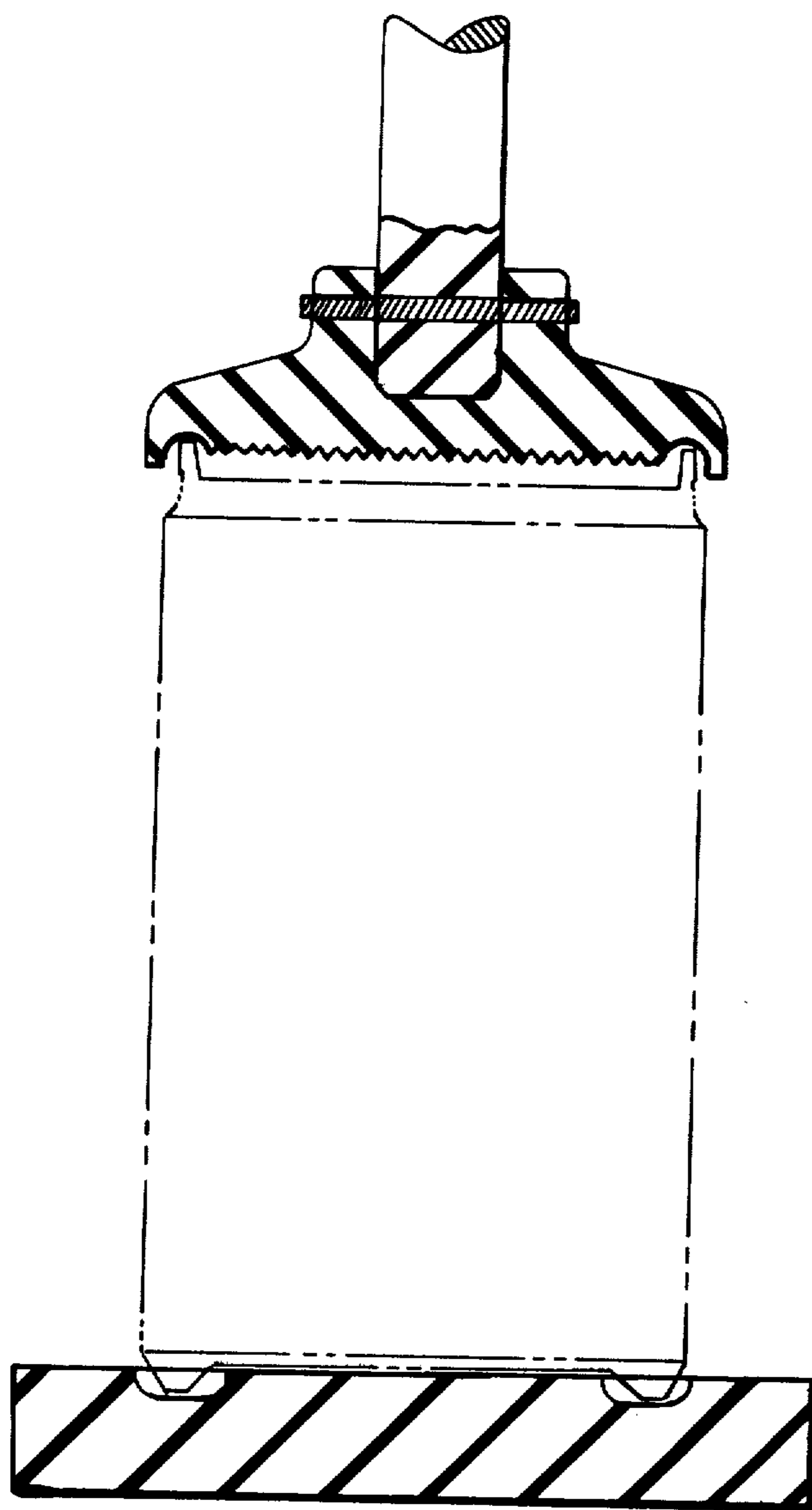


FIG. 5