

[54] **JUICE VENDING BACK COUNTER UNIT**

[75] **Inventor:** Morley L. Smith, Beaconsfield, Canada

[73] **Assignee:** Orangematic Canada Inc., Canada

[\*\*] **Term:** 3½ Years

[21] **Appl. No.:** 142,888

[22] **Filed:** Apr. 22, 1980

[30] **Foreign Application Priority Data**

Oct. 24, 1979 [CA] Canada ..... 2410791

[51] **Int. Cl.** ..... D15-08

[52] **U.S. Cl.** ..... D15/112

[58] **Field of Search** ..... D7/61; D15/92, 99, 111-121; 222/106, 129.1-129.4, 132; 312/140.2

[56] **References Cited**

**U.S. PATENT DOCUMENTS**

D. 91,899 4/1934 Phillips ..... D15/112  
D. 161,419 1/1951 Burger ..... D15/112

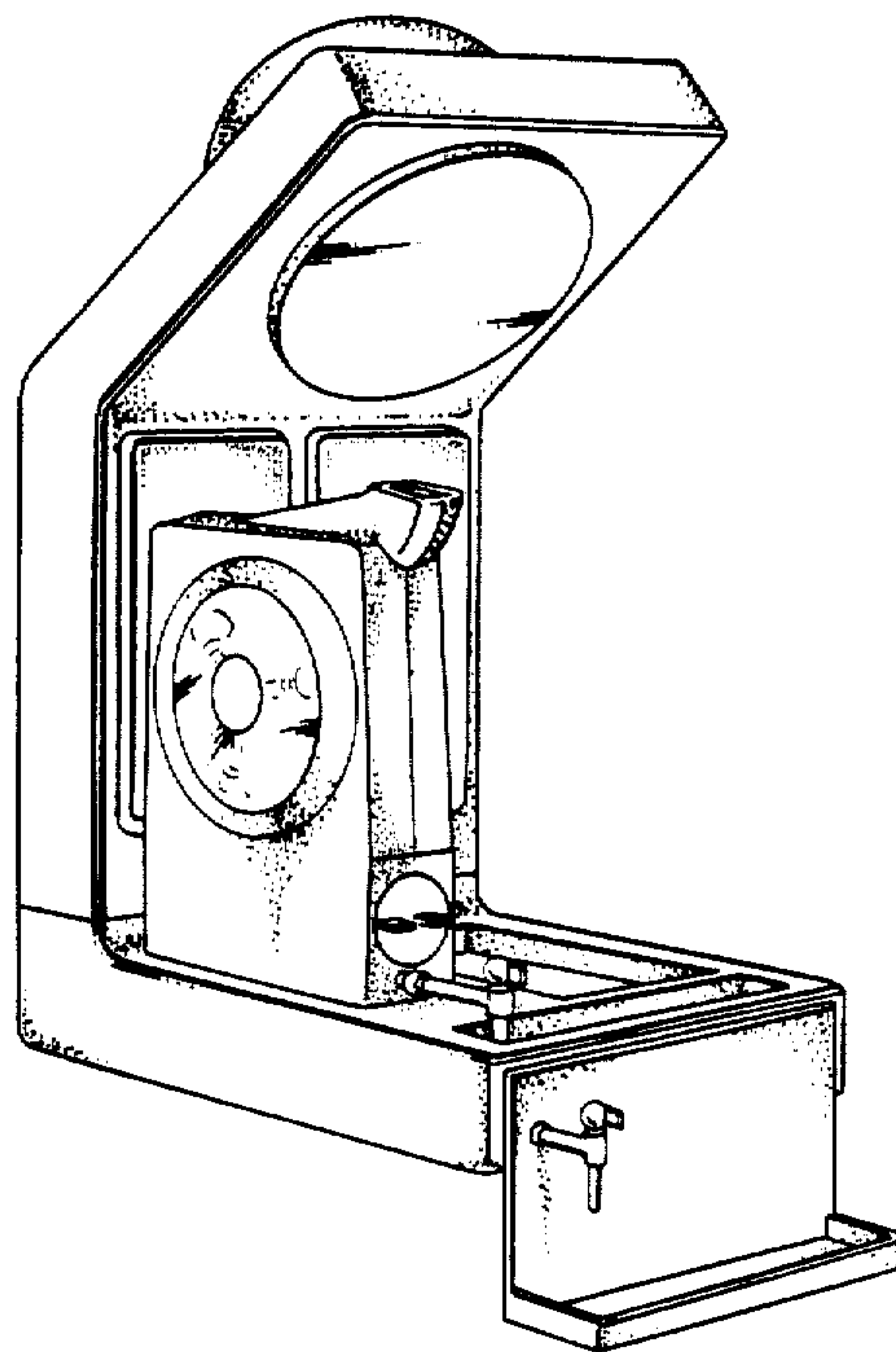
*Primary Examiner*—Leland A. Sebastian  
*Attorney, Agent, or Firm*—Laff, Whitesel, Conte & Saret

[57] **CLAIM**

The ornamental design for a juice vending back counter unit, as shown.

**DESCRIPTION**

FIG. 1 is a perspective view of a juice vending back counter unit showing my new design;  
FIG. 2 is a front elevational view thereof;  
FIG. 3 is a right side elevational view thereof;  
FIG. 4 is a rear elevational view thereof;  
FIG. 5 is a left side elevational view thereof, and  
FIG. 6 is a top plan view thereof.



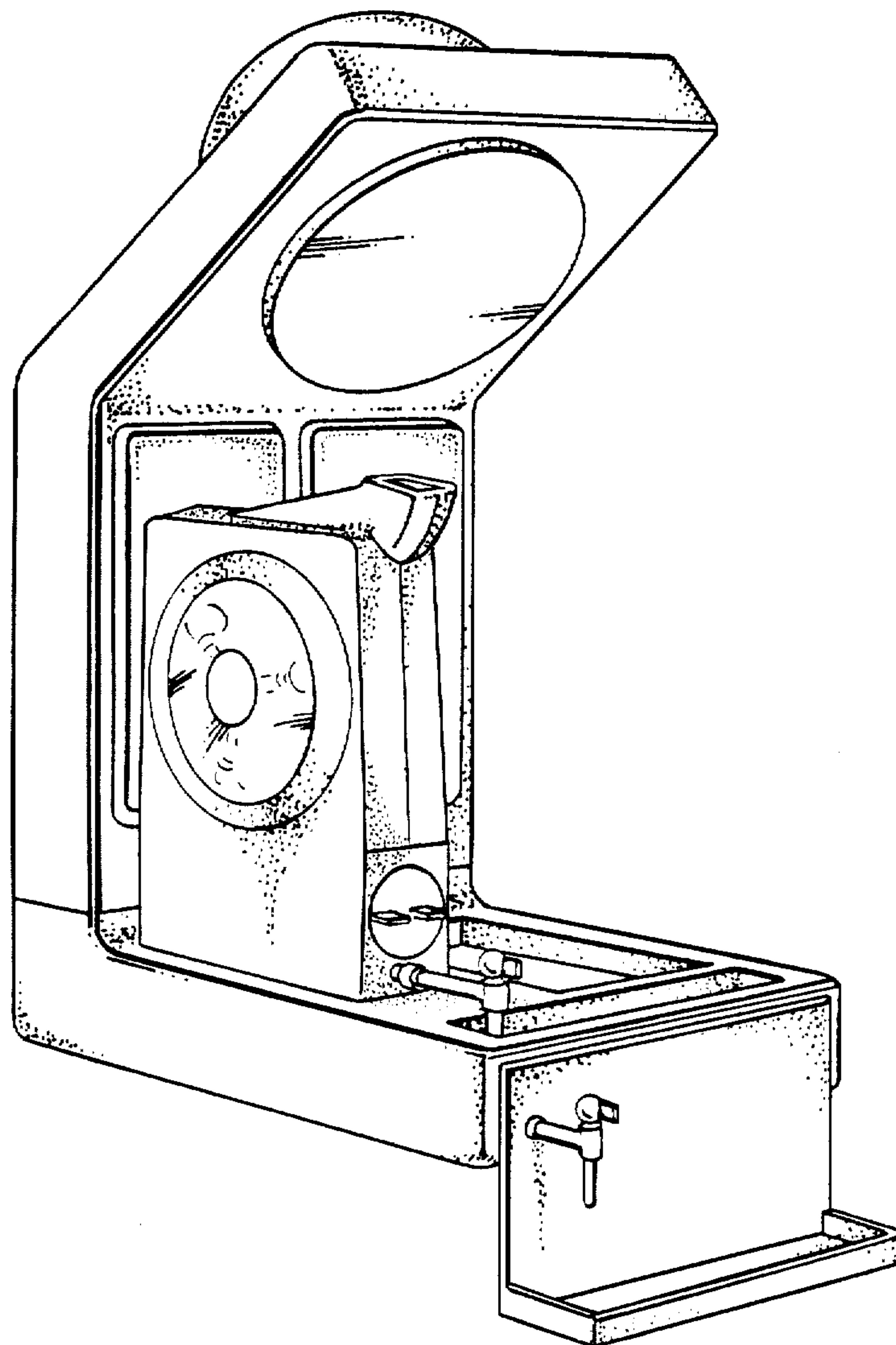


FIG. 1

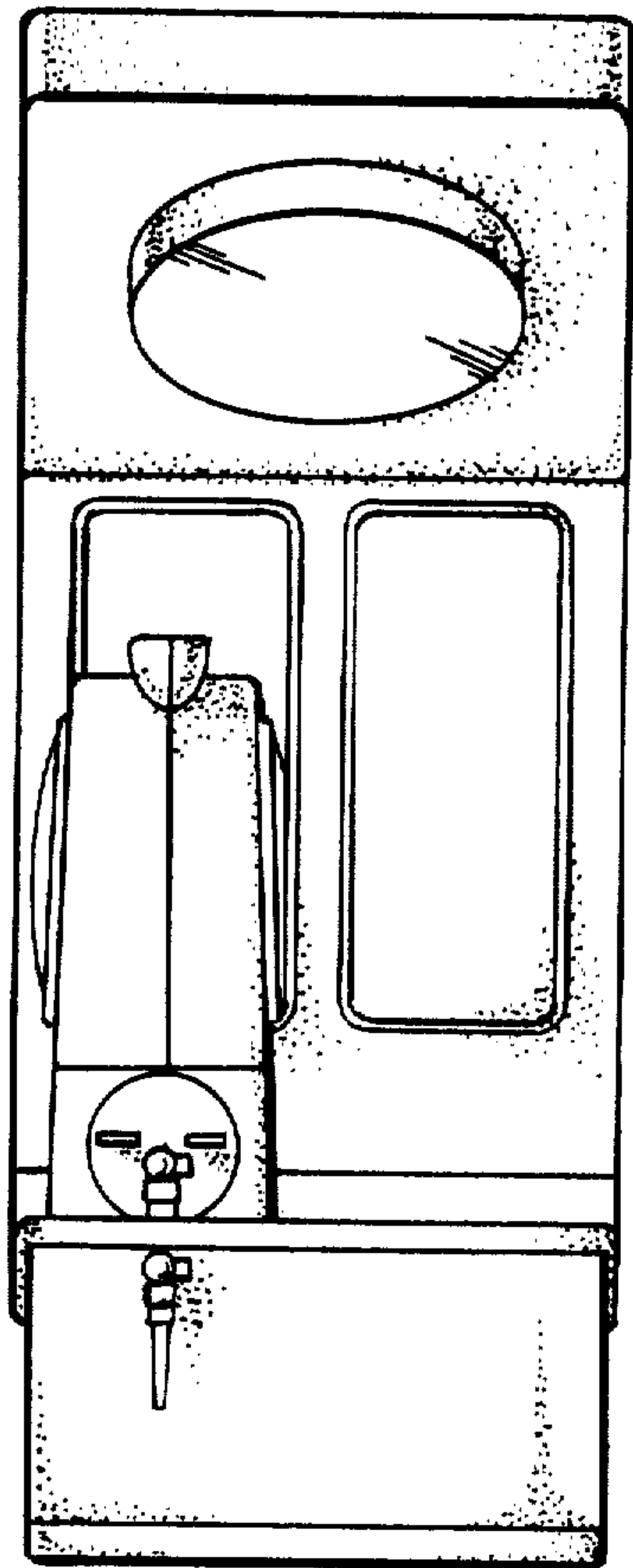


FIG. 2

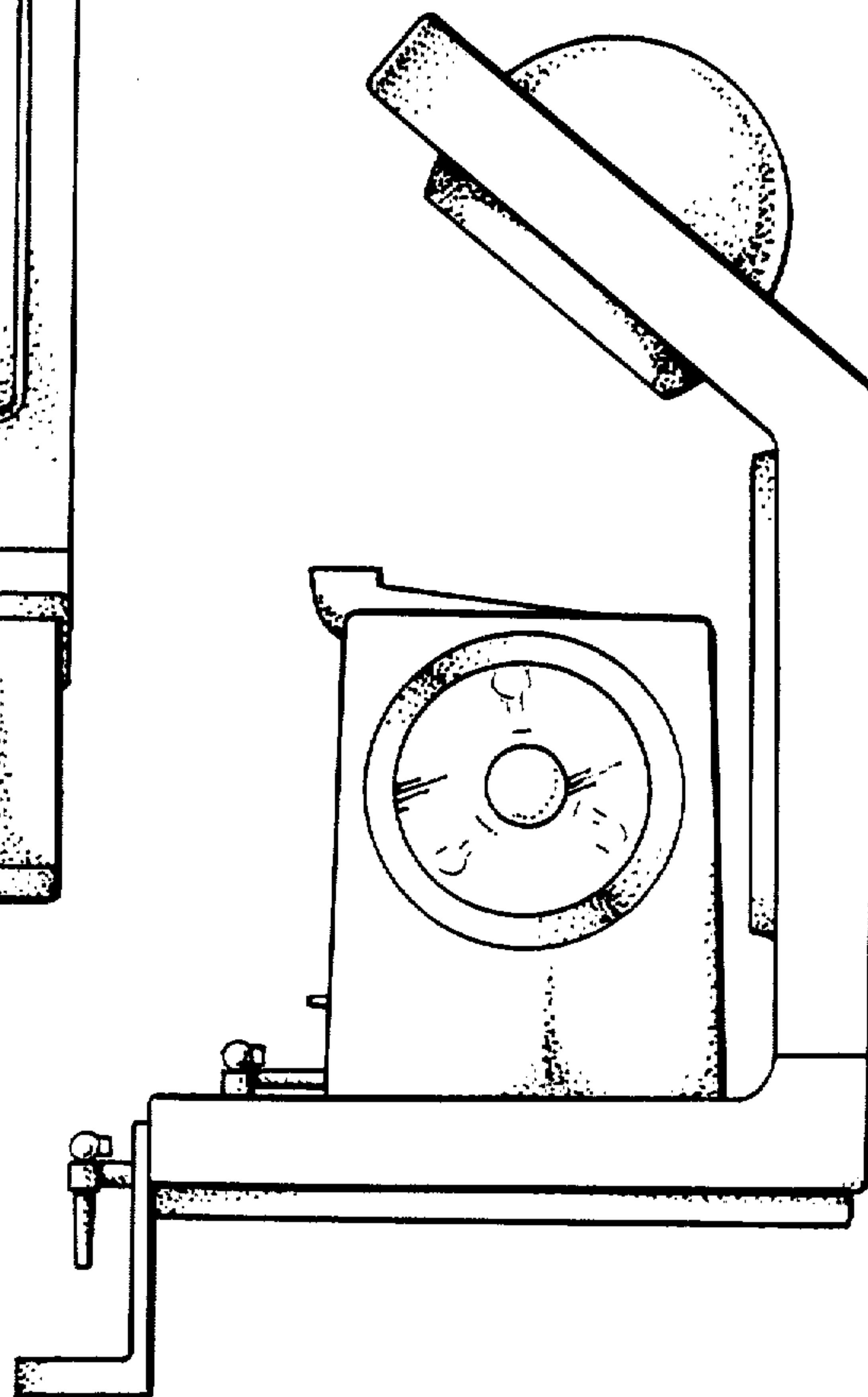


FIG. 3

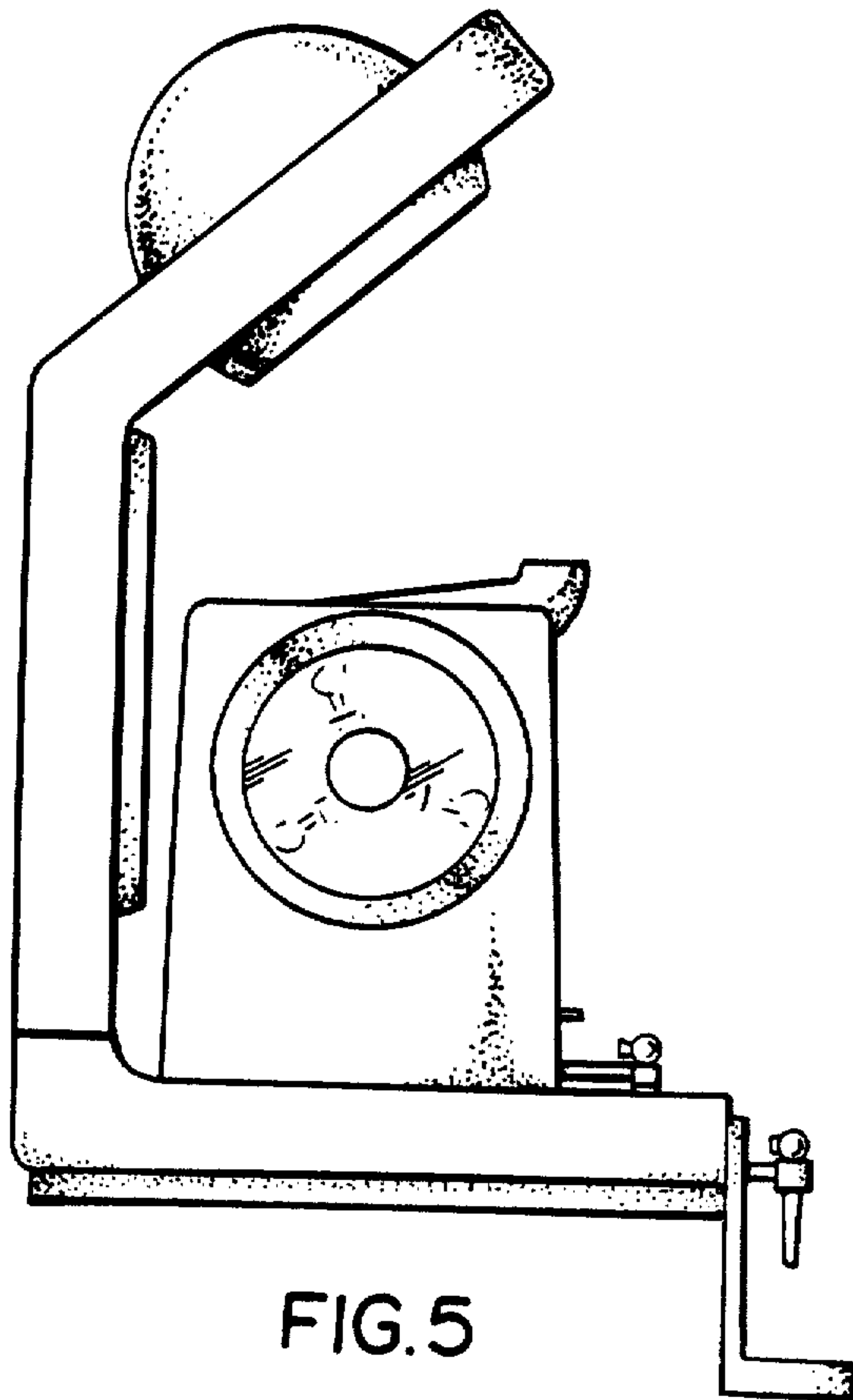


FIG. 5

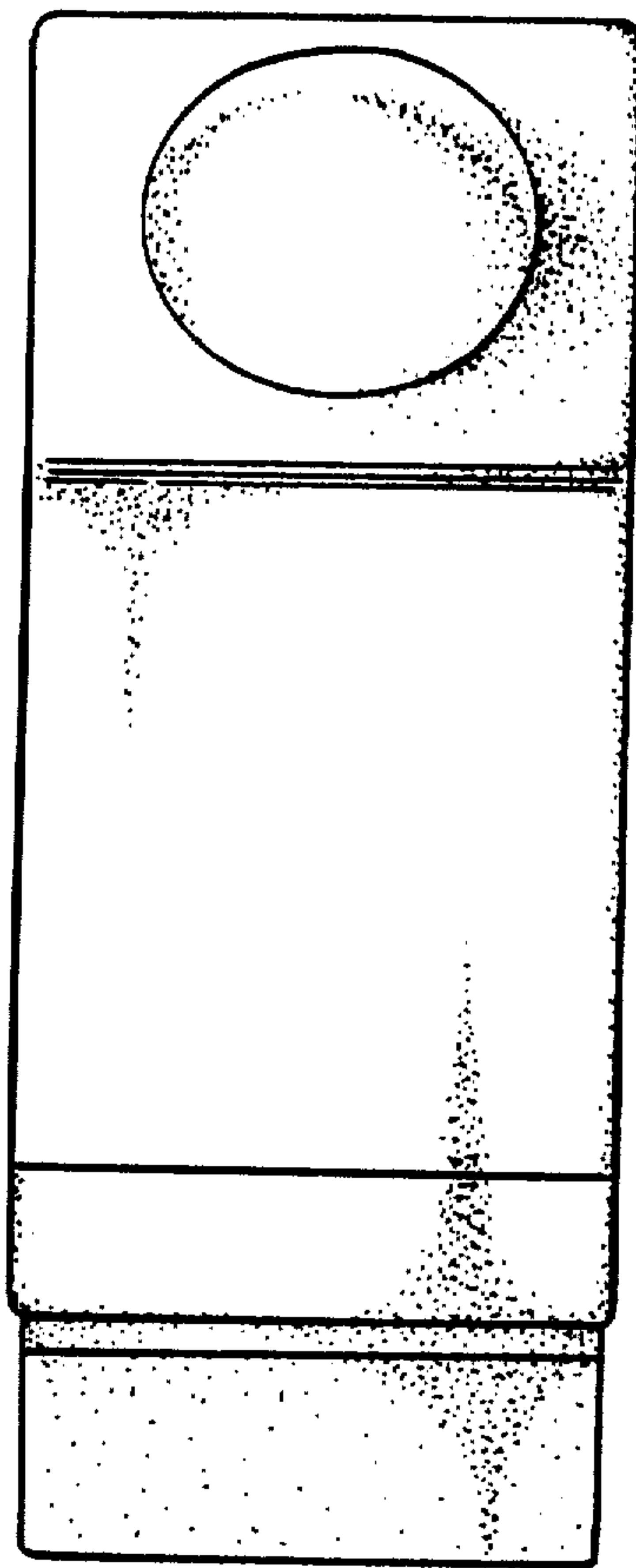


FIG. 4

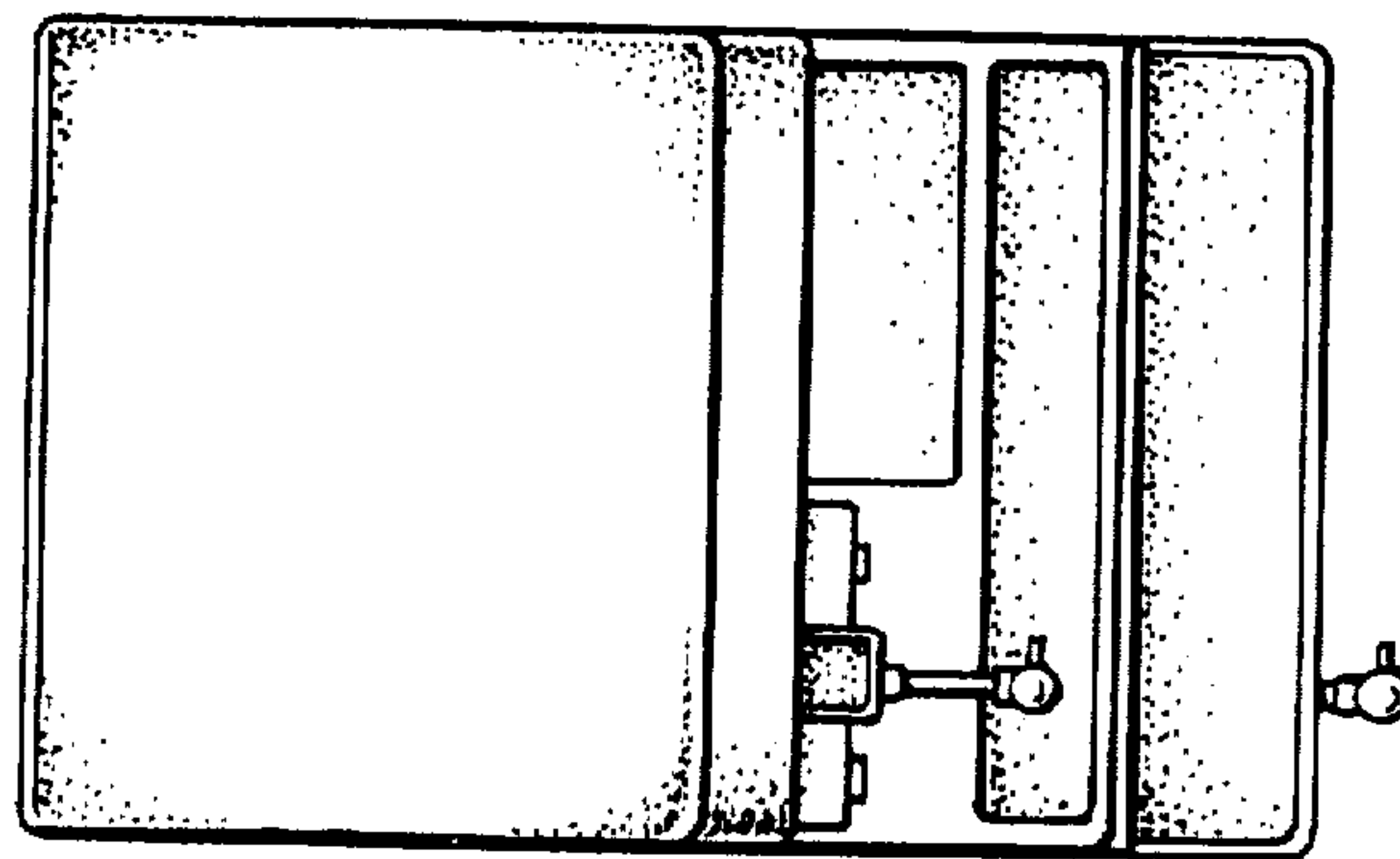


FIG. 6