

[54] BODY FOR ELECTRIC PLUG

[75] Inventor: Ronald D. Gibbs, Naperville, Ill.

[73] Assignee: Belden Corporation, Geneva, Ill.

[**] Term: 14 Years

[21] Appl. No.: 124,657

[22] Filed: Feb. 25, 1980

[51] Int. Cl. D13-03

[52] U.S. Cl. D13/28

[58] Field of Search D13/24, 27, 28;
339/195 R, 119 C, 103

[56] References Cited

U.S. PATENT DOCUMENTS

- D. 196,584 10/1963 Alberts D13/28
- D. 237,889 12/1975 Lawrence et al. D13/28
- 2,182,446 12/1939 Nelson .
- 2,909,754 10/1959 Bach .
- 3,725,848 4/1973 Davidson 339/119 C X

Primary Examiner—Susan J. Lucas

Attorney, Agent, or Firm—Fitch, Even, Tabin, Flannery & Welsh

[57] CLAIM

The ornamental design for a body for electric plug, substantially as shown and described.

DESCRIPTION

FIG. 1 is a perspective view of the body for electric plug showing my new design;

FIG. 2 is a top plan view, on an enlarged scale, of the electrical plug body of FIG. 1;

FIG. 3 is a bottom view, on an enlarged scale, of the electrical plug body of FIG. 1;

FIG. 4 is a front elevational view, on an enlarged scale, of the electrical plug body of FIG. 1;

FIG. 5 is a rear view, on an enlarged scale, of the electrical plug body of FIG. 1; and

FIG. 6 is a side elevational view, on an enlarged scale, of the electrical plug body of FIG. 1 but with the plug turned end-for-end.

The contact prongs, cable collar and cable are shown in broken lines for illustrative purposes only.

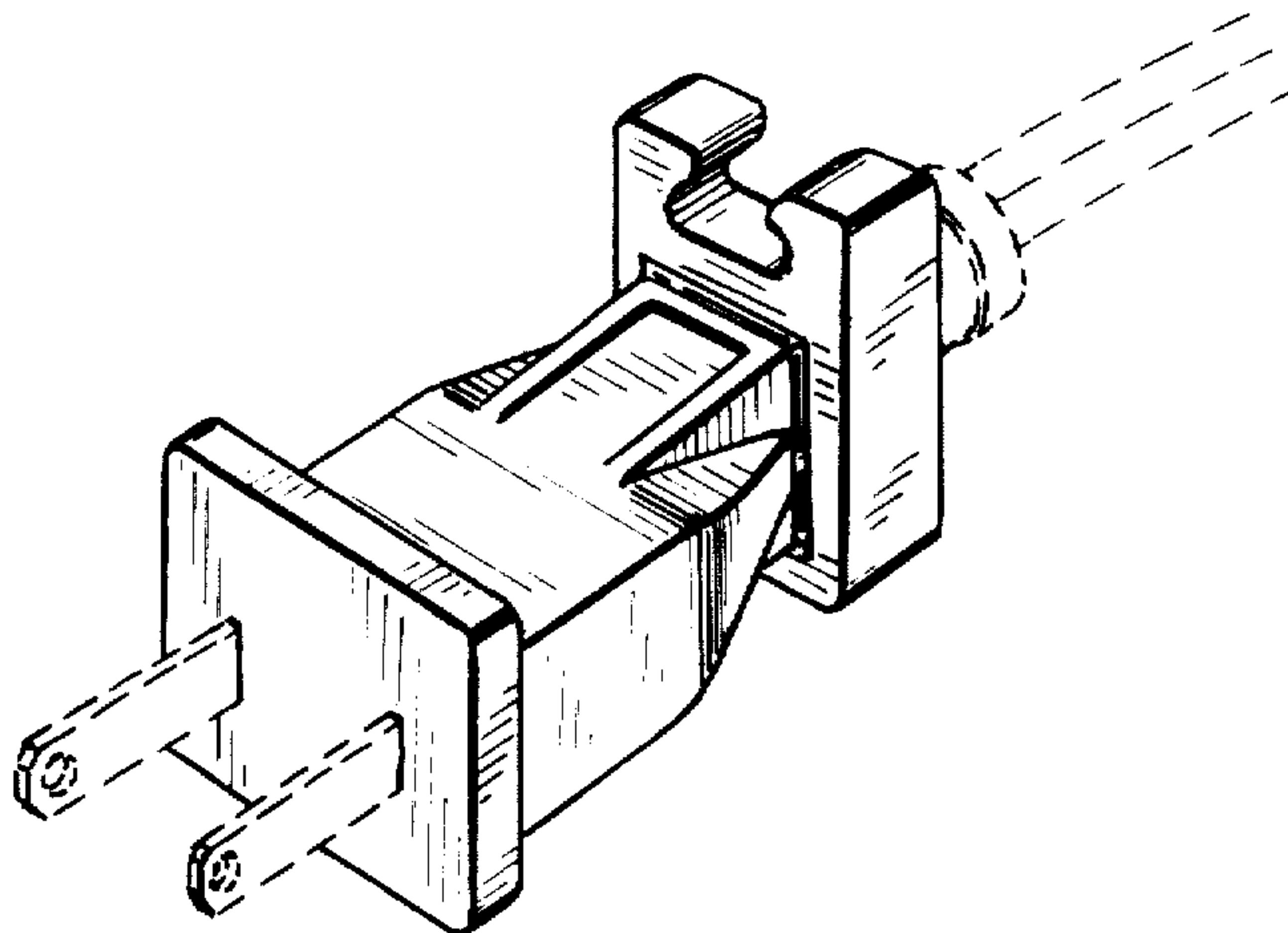


Fig. 1.

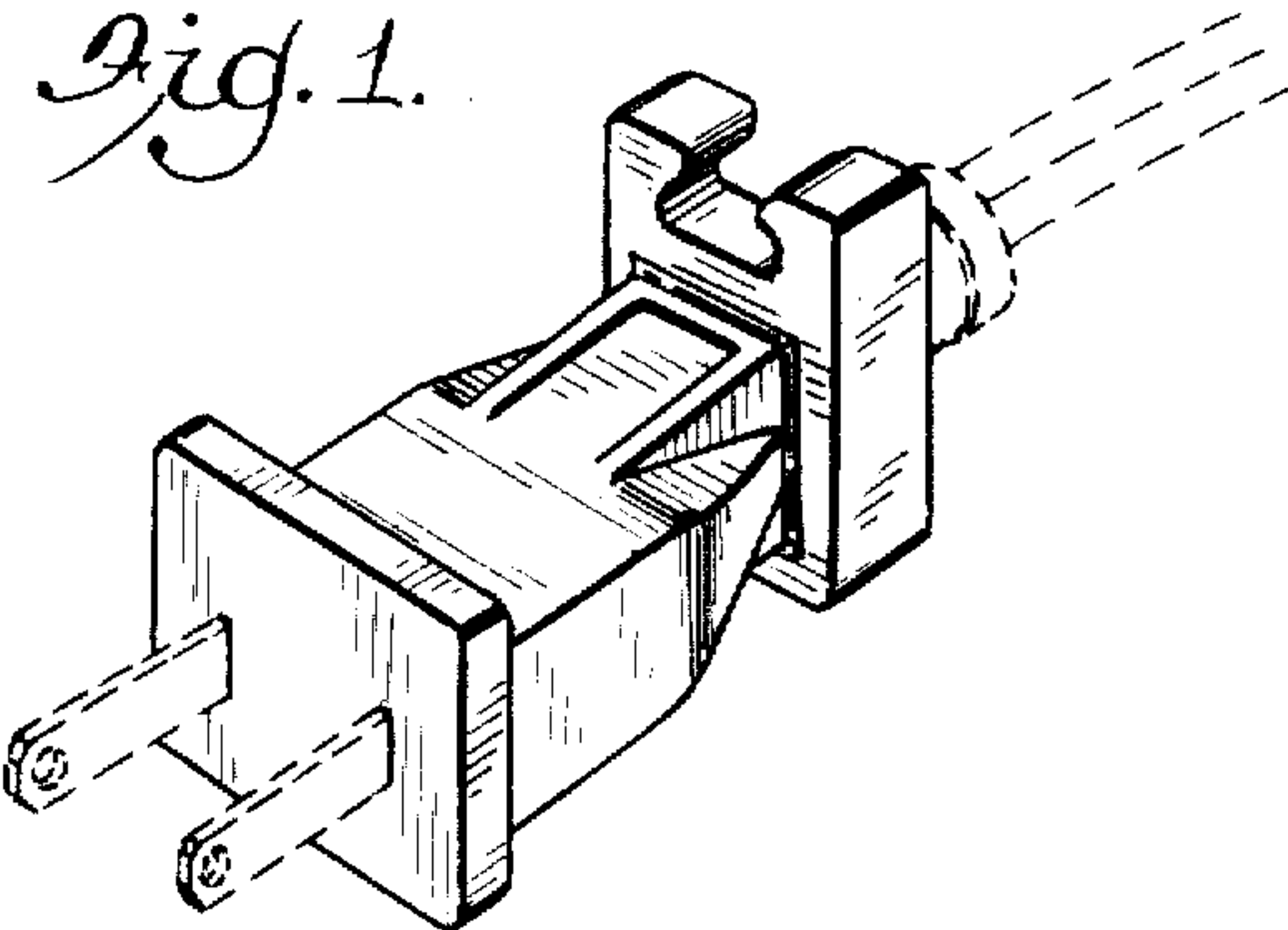


Fig. 2.

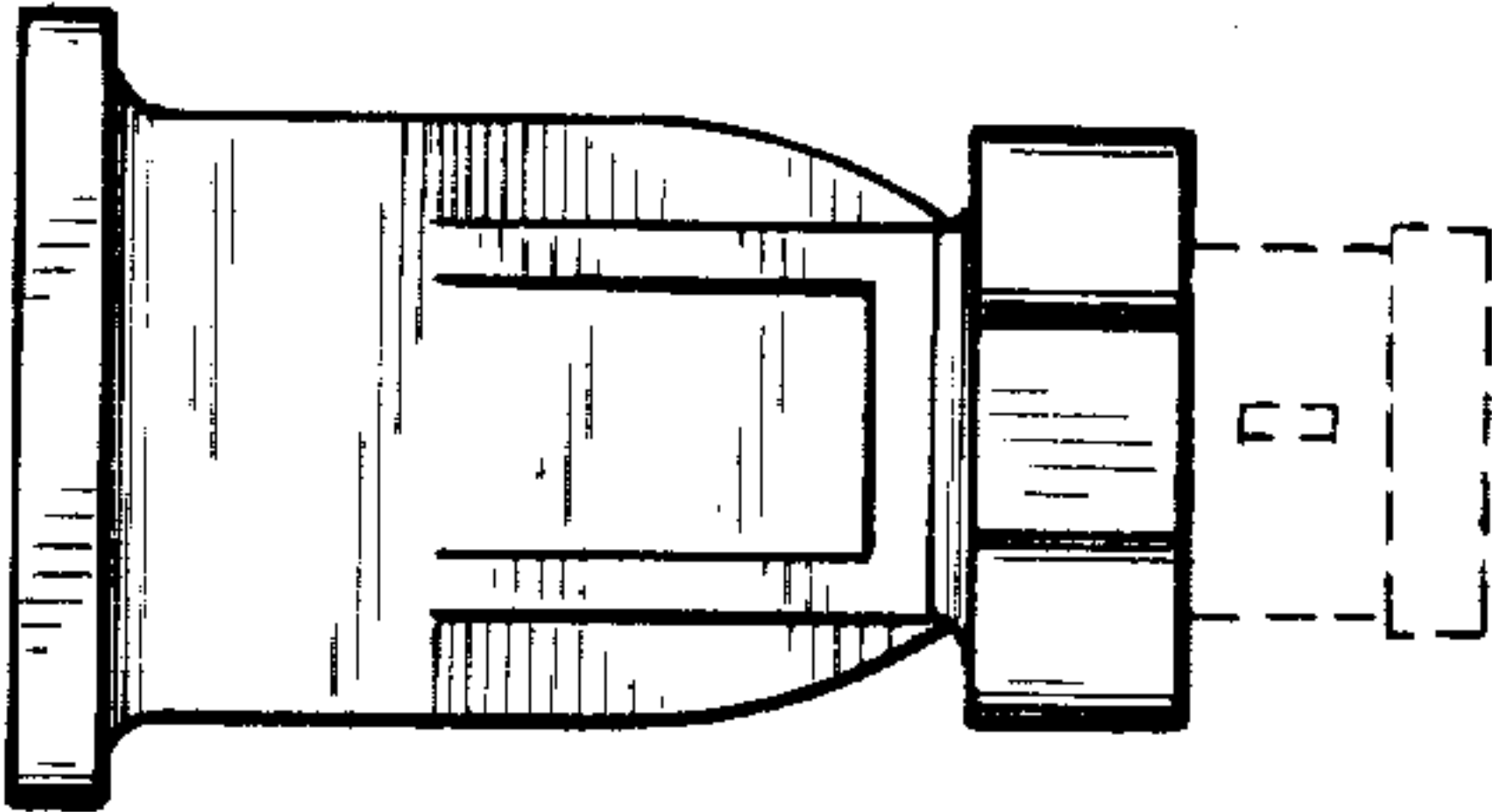


Fig. 4.

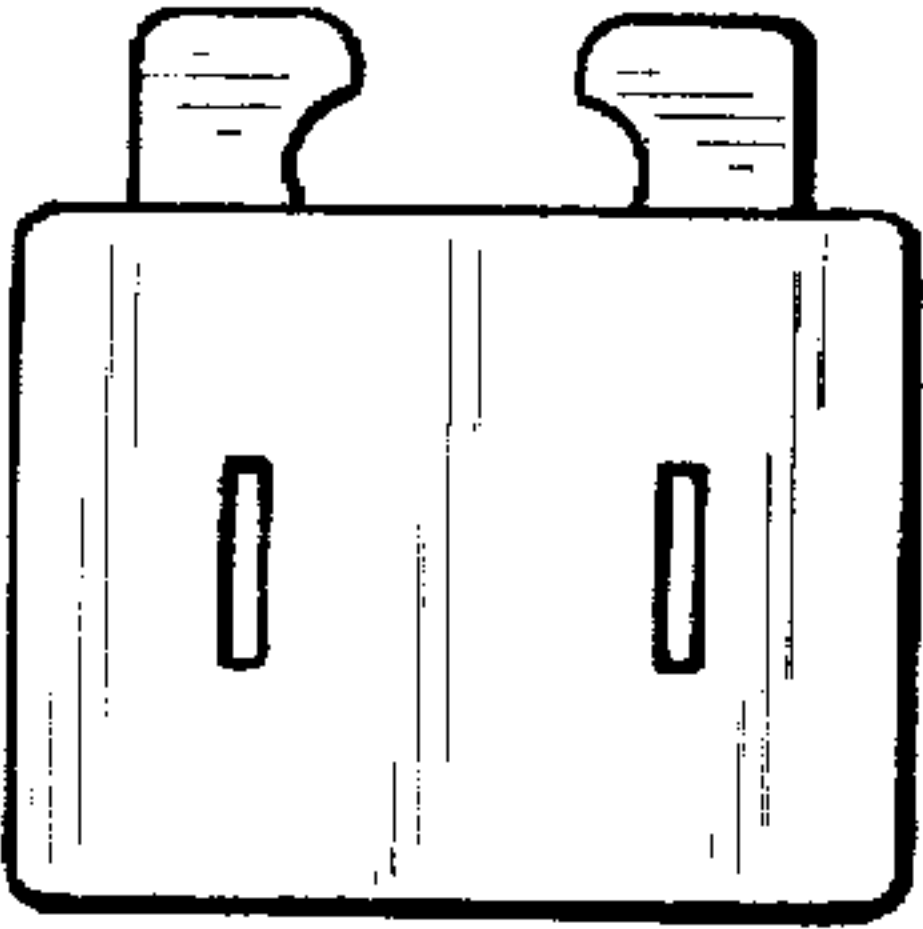


Fig. 3.

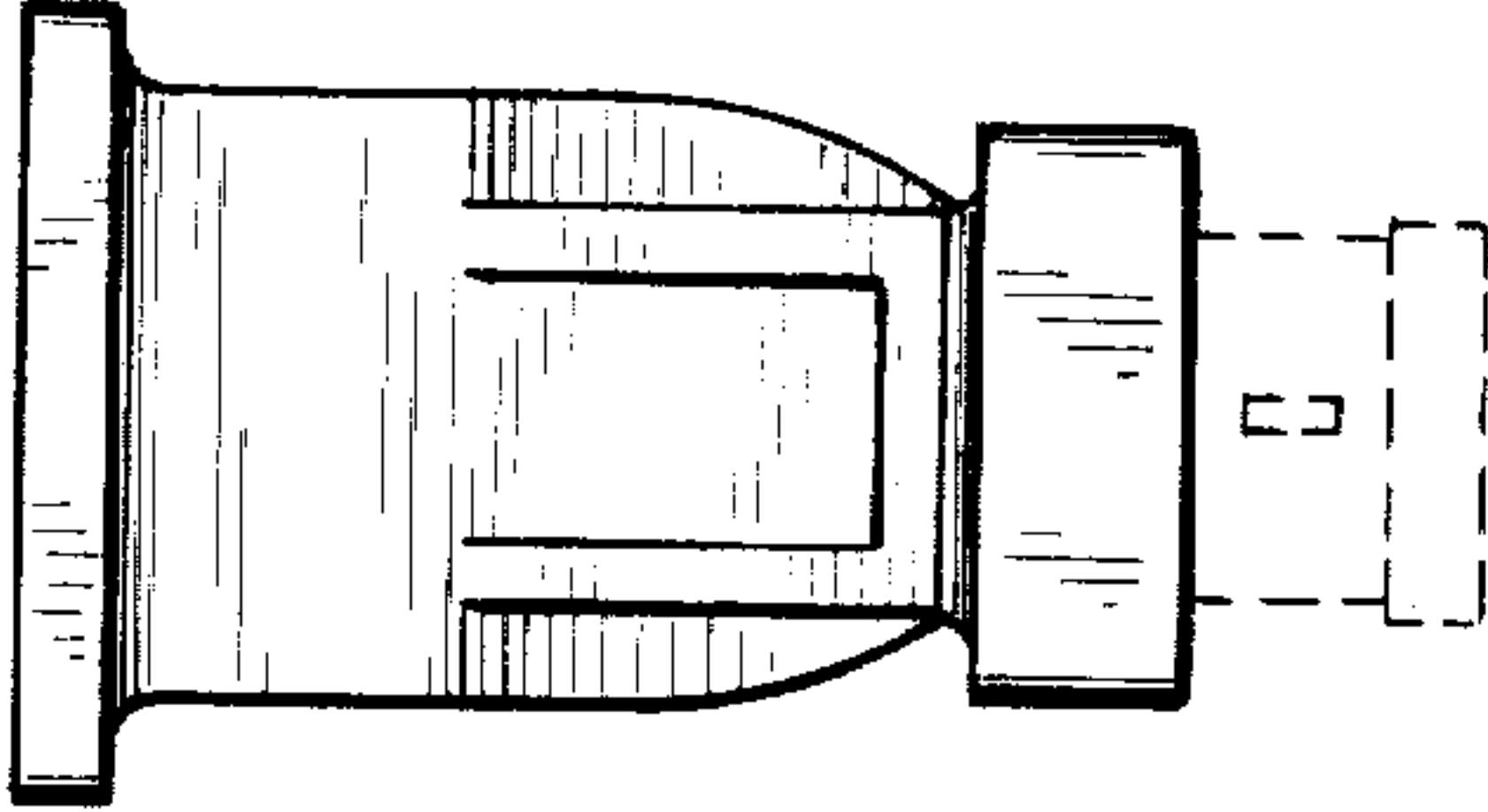


Fig. 5.

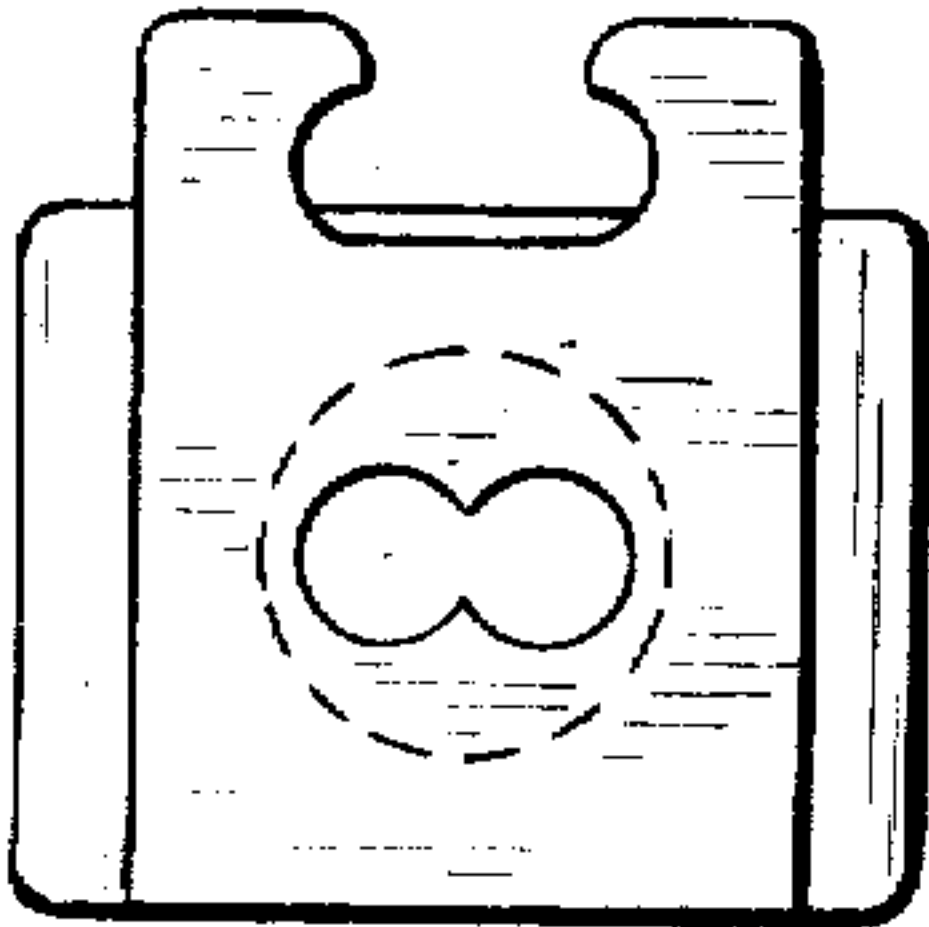


Fig. 6.

