

- [54] **COMBINED BICYCLE SPROCKET AND CHAIN GUARD**
- [75] **Inventors:** John D. Breen, Antioch; Ronald L. Ihrie, Nashville, both of Tenn.
- [73] **Assignee:** The Murray Ohio Manufacturing Co., Brentwood, Tenn.
- [**] **Term:** 14 Years
- [21] **Appl. No.:** 111,001
- [22] **Filed:** Jan. 10, 1980
- [51] **Int. Cl.** D12-11
- [52] **U.S. Cl.** D12/123
- [58] **Field of Search** D12/123, 127; 474/144, 474/160

- [56] **References Cited**
U.S. PATENT DOCUMENTS
- D. 210,564 3/1968 Brilando et al. D12/123
- D. 242,539 11/1976 Manofsky et al. D12/123
- 3,550,465 12/1970 Maeda 474/160
- Primary Examiner*—James M. Gandy
- Attorney, Agent, or Firm*—Cushman, Darby & Cushman

[57] **CLAIM**
The ornamental design for a combined bicycle sprocket and chain guard, as shown and described.

DESCRIPTION
FIG. 1 is a side elevational view of a combined bicycle sprocket and chain guard showing our new design; FIG. 2 is an elevational view of the side opposite that shown in FIG. 1; and FIG. 3 is a top plan view, with a portion shown in section taken along line 3—3 in FIG. 1.

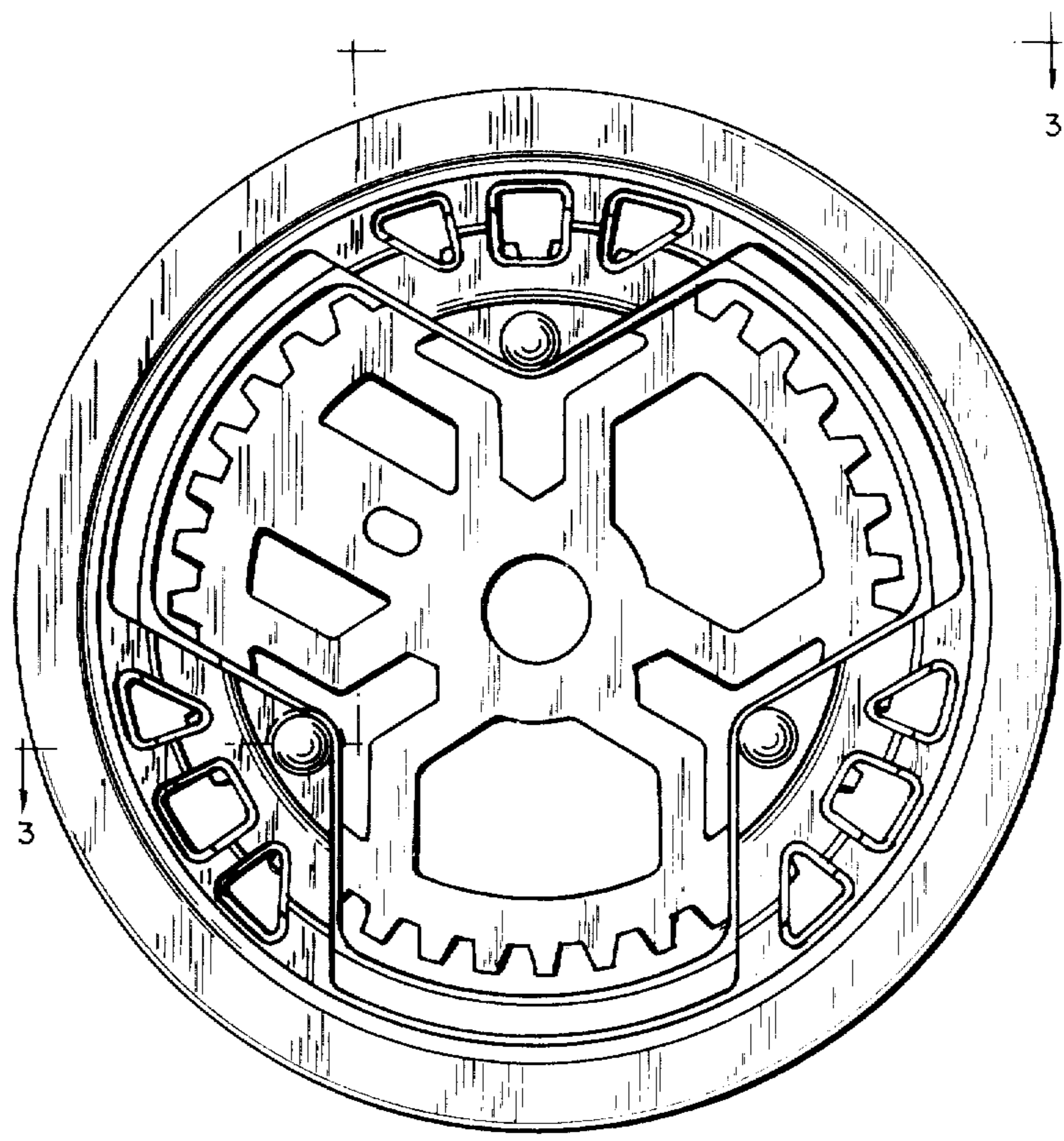


Fig. 1.

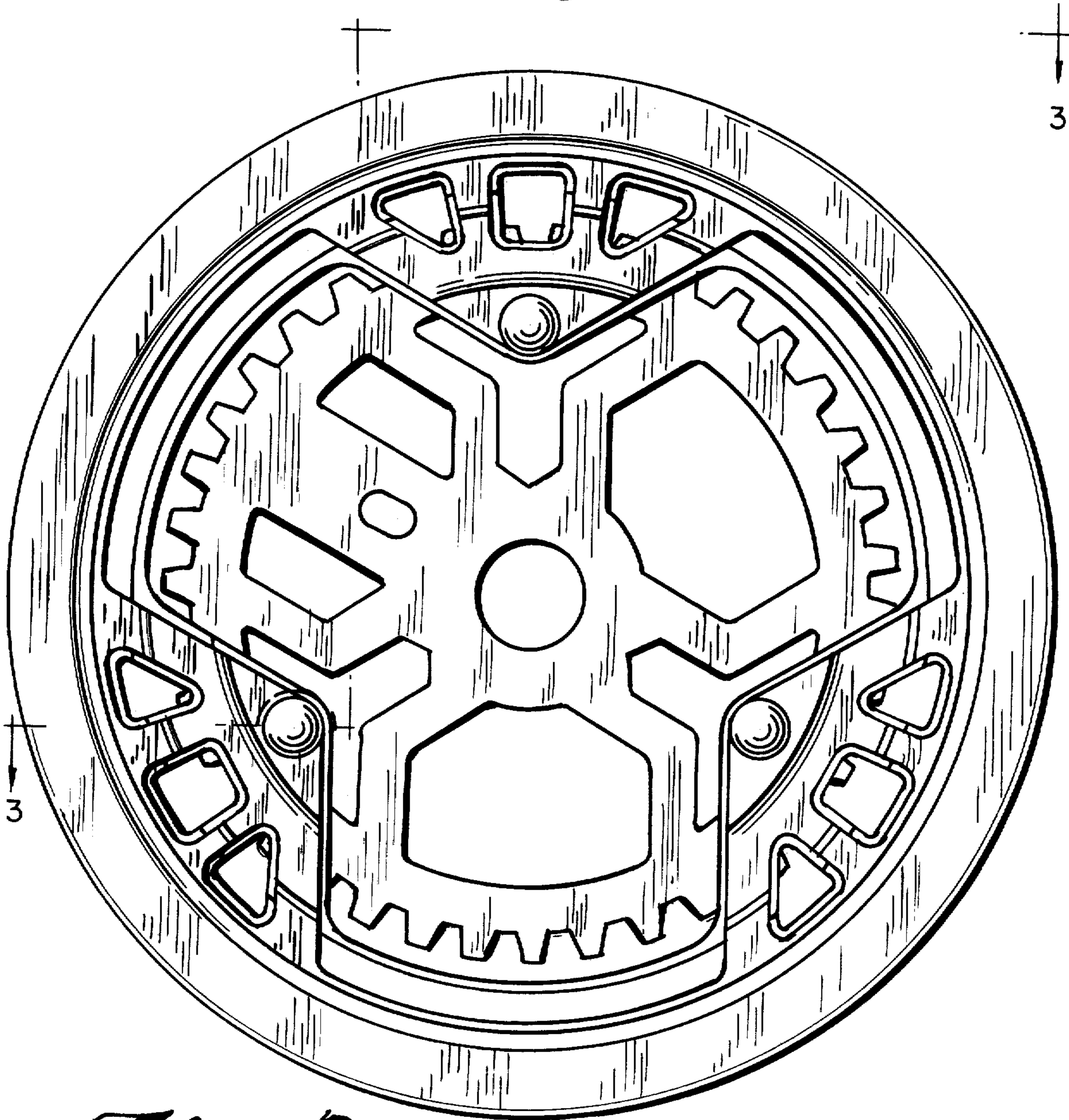


Fig. 3.

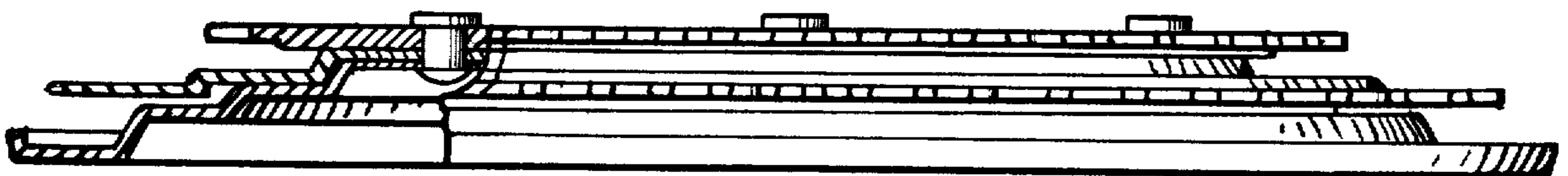


Fig. 2.

