

[54] **BICYCLE RACK**

[76] Inventor: **Terrance R. Smith**, 28 Roundhay Dr.,
Nepean, Ontario, Canada, K2G 1B5

[**] Term: **14 Years**

[21] Appl. No.: **200,259**

[22] Filed: **Oct. 23, 1980**

[30] **Foreign Application Priority Data**

Oct. 16, 1980 [CA] Canada 16-10-80-4

[51] Int. Cl. **D08—10**

[52] U.S. Cl. **D12/115**

[58] Field of Search D12/115; 211/17, 20,
211/22

[56] **References Cited**

U.S. PATENT DOCUMENTS

D. 234,924 4/1975 Seiler D12/115

FOREIGN PATENT DOCUMENTS

24952 of 1898 United Kingdom 211/22

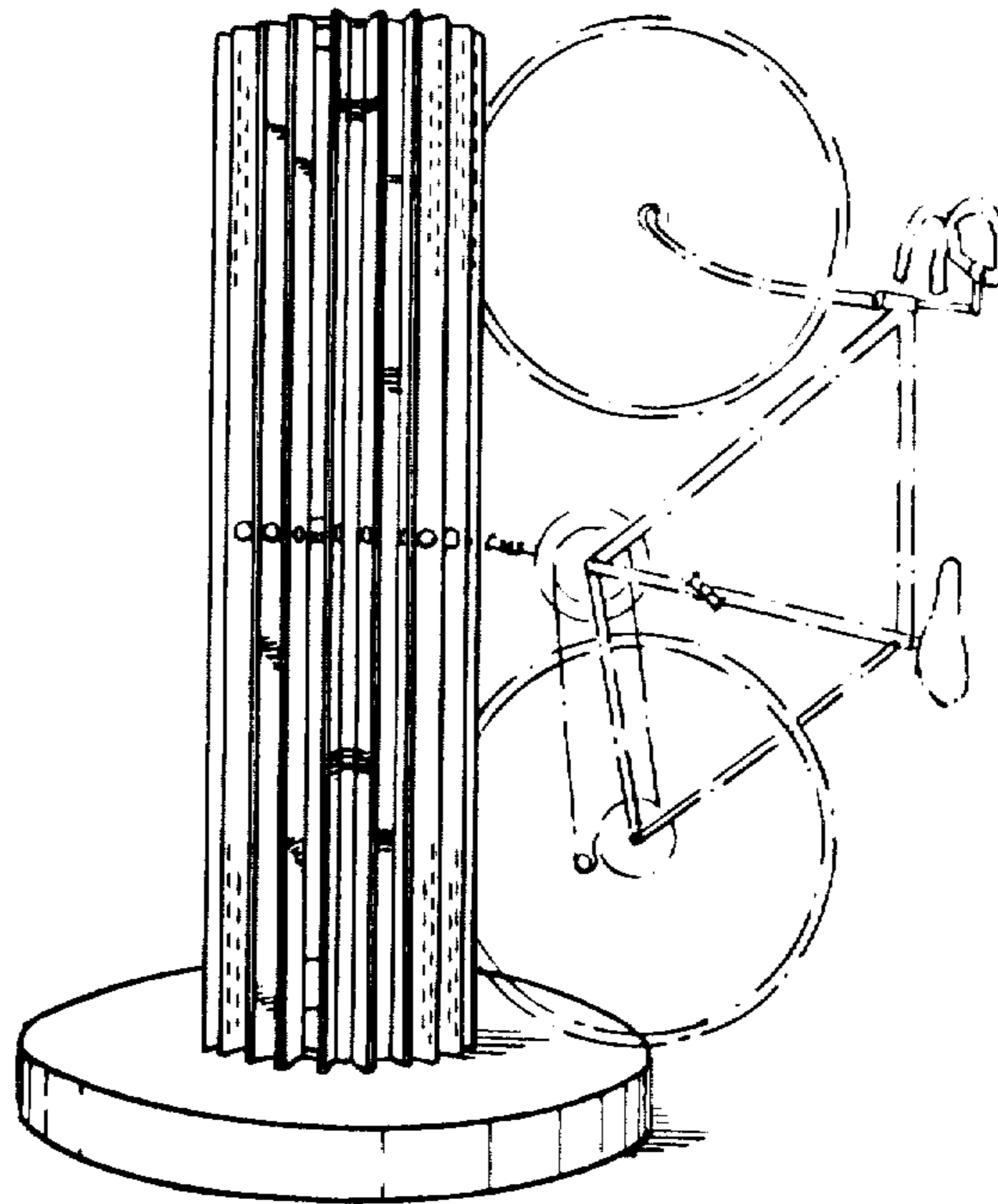
Primary Examiner—James M. Gandy

[57] **CLAIM**

The ornamental design for a bicycle rack, substantially as shown and described.

DESCRIPTION

FIG. 1 is a perspective view of a bicycle rack showing my new design it being understood that the broken lines are for illustrative purposes only; and FIG. 2 is a top plan view.



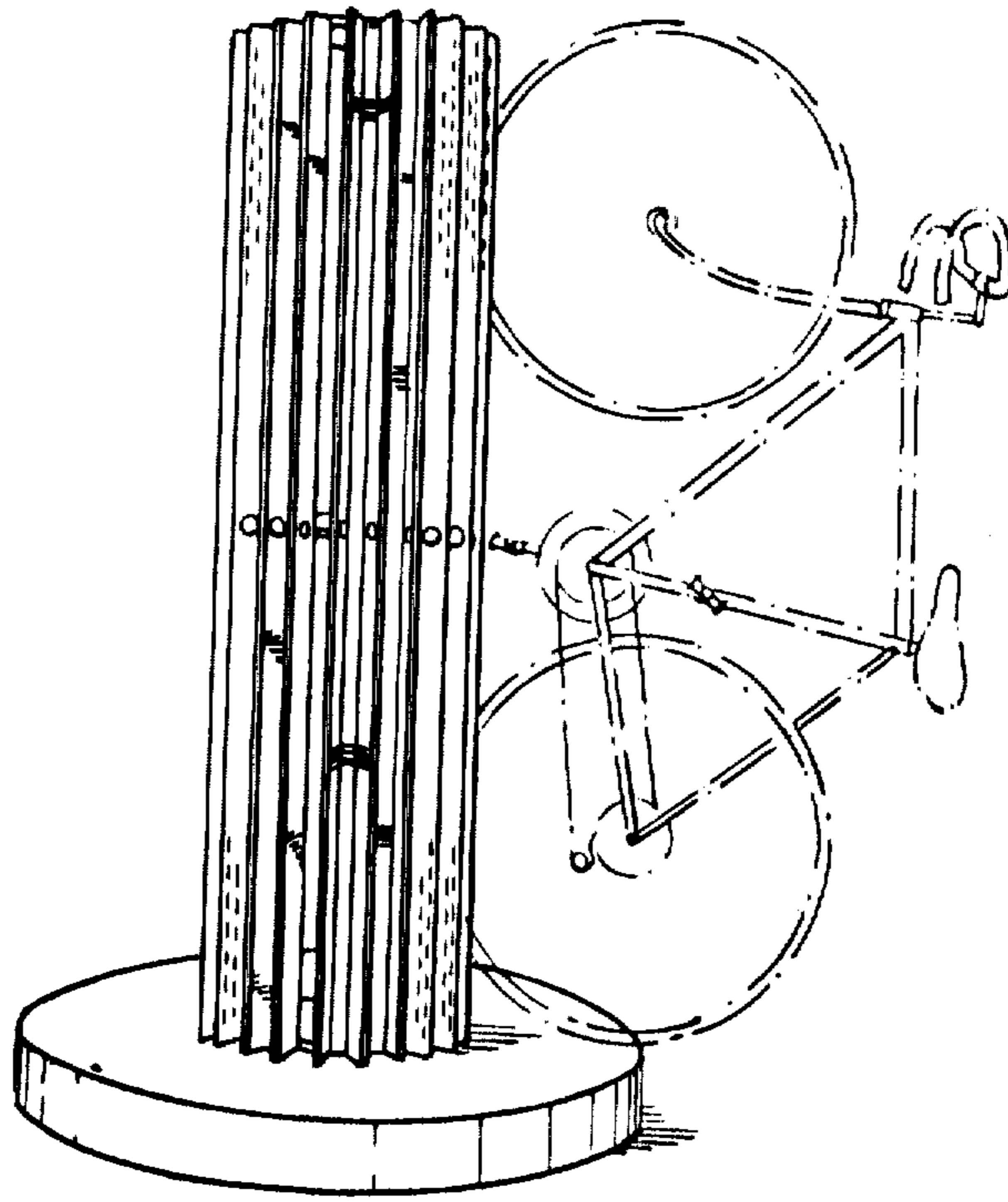


FIG. 1

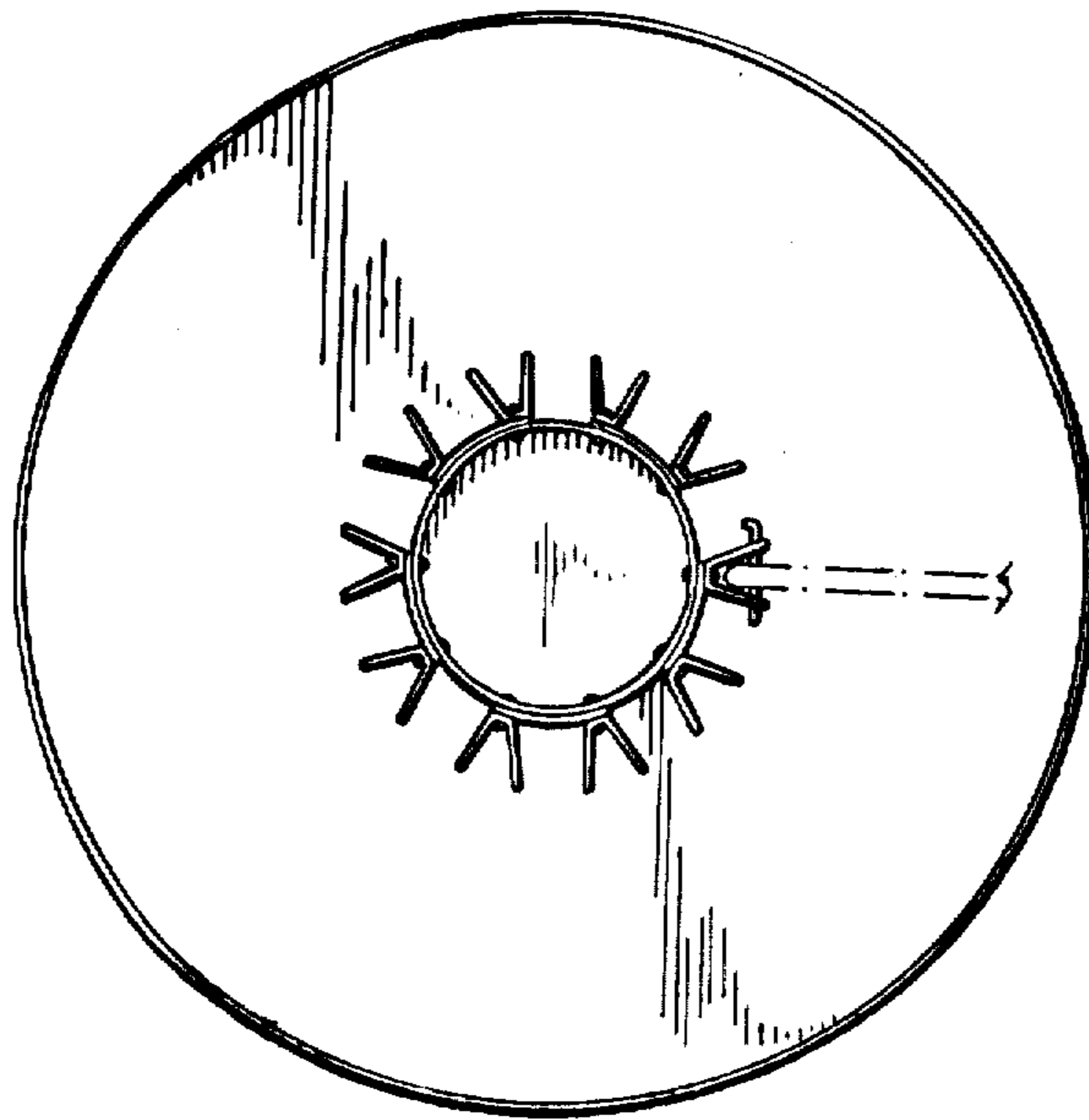


FIG. 2