

[54] TRICYCLE

[76] Inventor: David S. Arthur, 14000 Tahiti Way, Marina Del Rey, Calif. 90291

[\*\*] Term: 14 Years

[21] Appl. No.: 164,771

[22] Filed: Jun. 30, 1980

[51] Int. Cl. .... D12-11

[52] U.S. Cl. .... D12/112

[58] Field of Search ..... D12/112, 107; 280/202, 280/222, 231, 273, 281 LP, 281 B, 282

[56] References Cited

U.S. PATENT DOCUMENTS

3,664,684 5/1972 Long ..... 280/231

OTHER PUBLICATIONS

Mobile-Modular Housing Dealer, 10/74, p. 116, Duo-Cycle, bottom left side of page. Form, 4/79, p. 20, Tricycle.

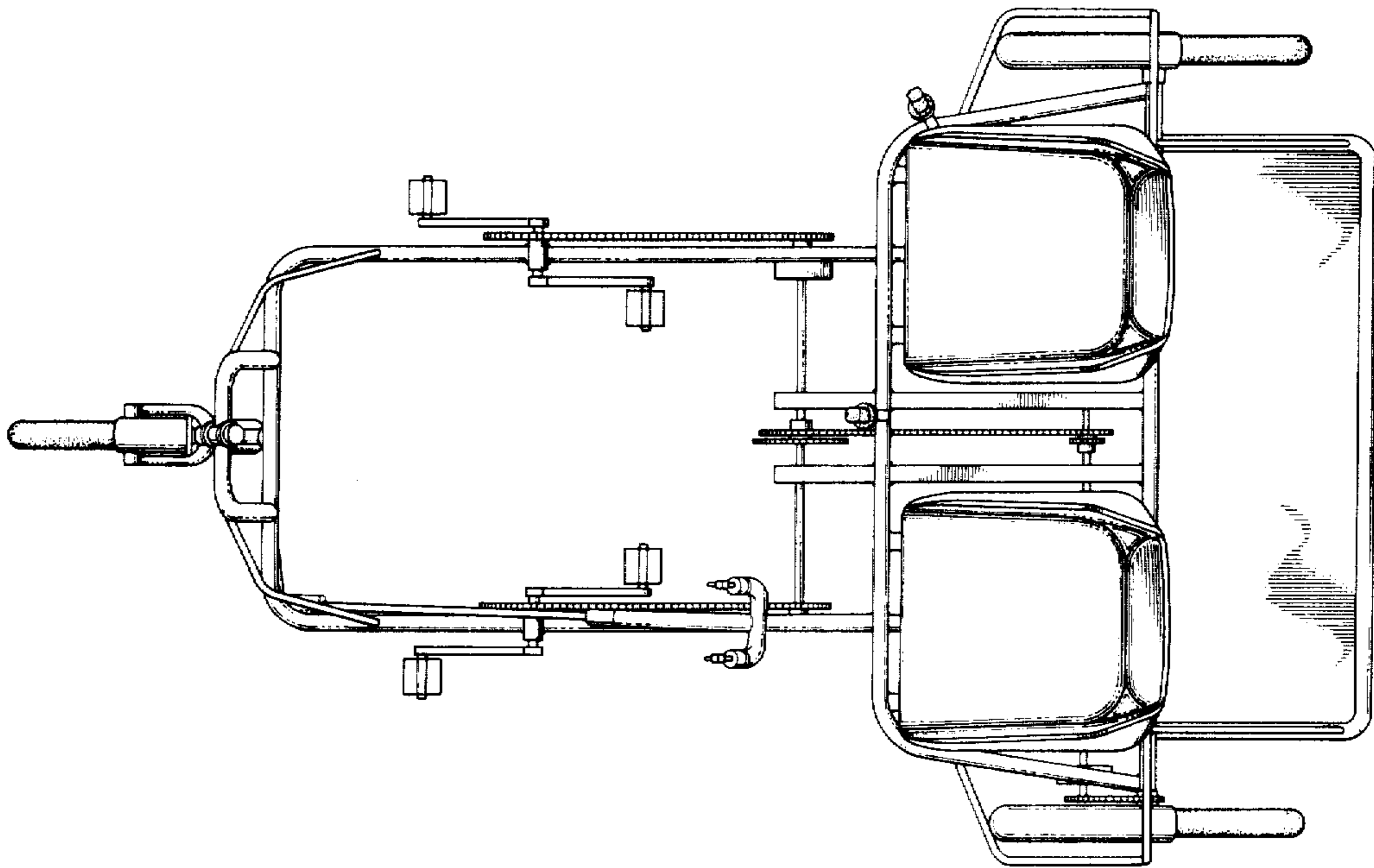
Primary Examiner—James M. Gandy  
Attorney, Agent, or Firm—Lyon & Lyon

[57] CLAIM

The ornamental design for a tricycle, as shown.

DESCRIPTION

FIG. 1 is a top plan view of a tricycle showing my new design;  
FIG. 2 is a side elevational view thereof;  
FIG. 3 is a side elevational view thereof opposite to that shown in FIG. 2;  
FIG. 4 is a front elevational view thereof;  
FIG. 5 is a rear elevational view thereof; and  
FIG. 6 is a bottom plan view thereof.



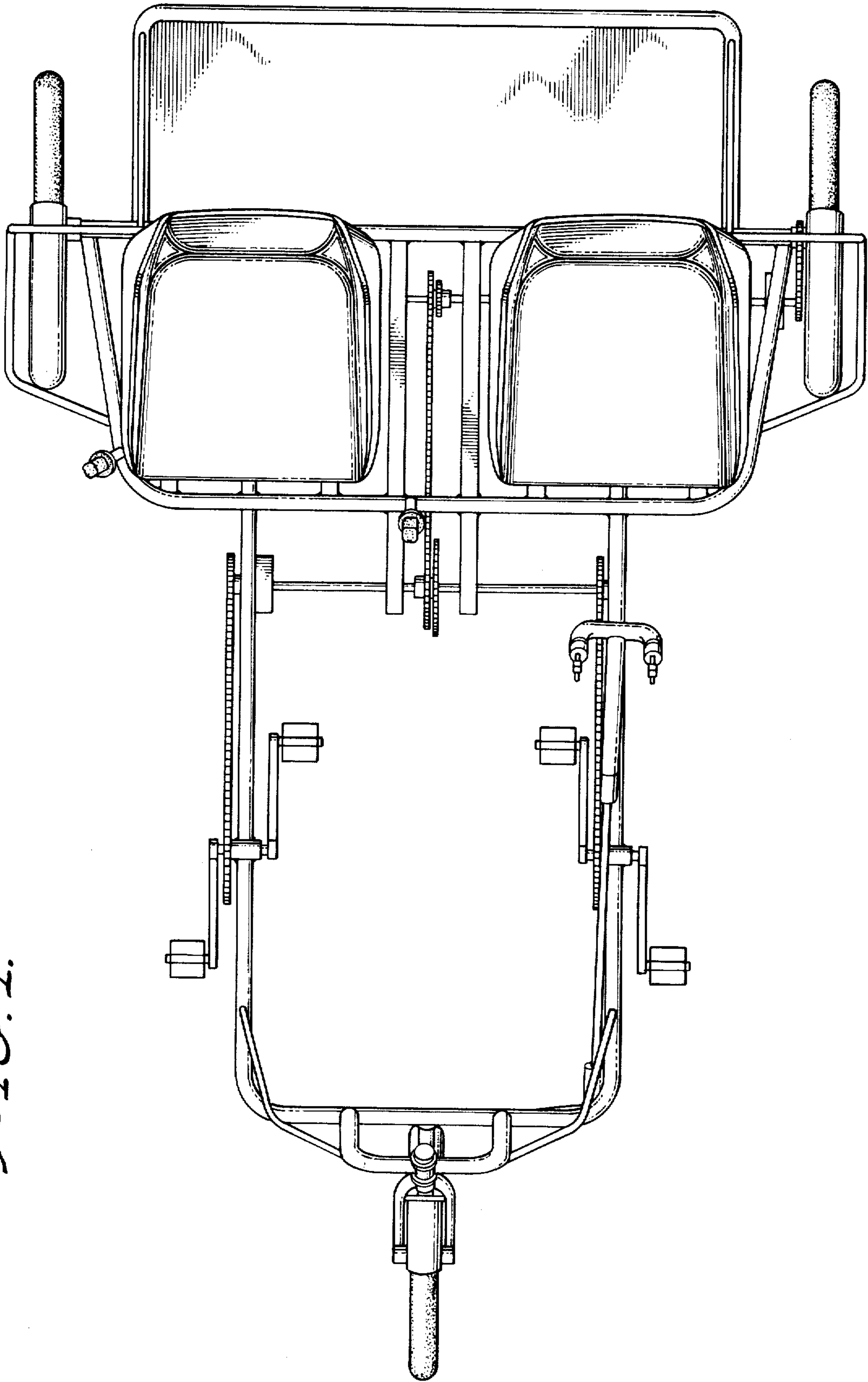
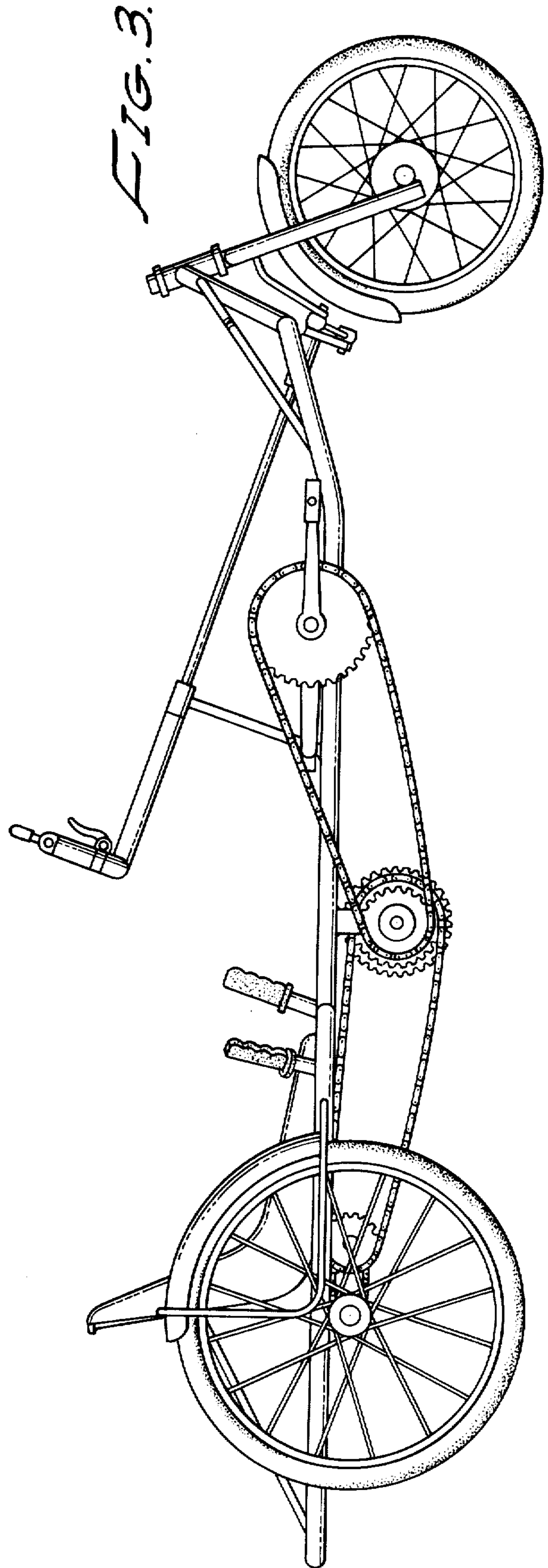
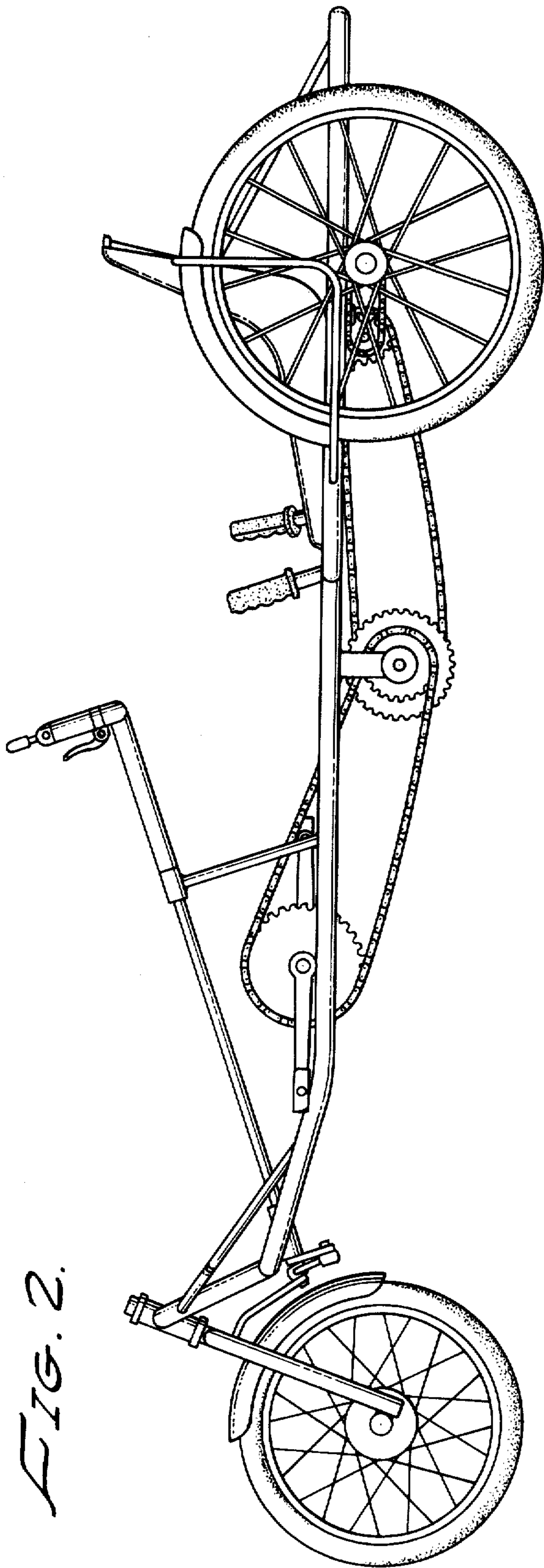
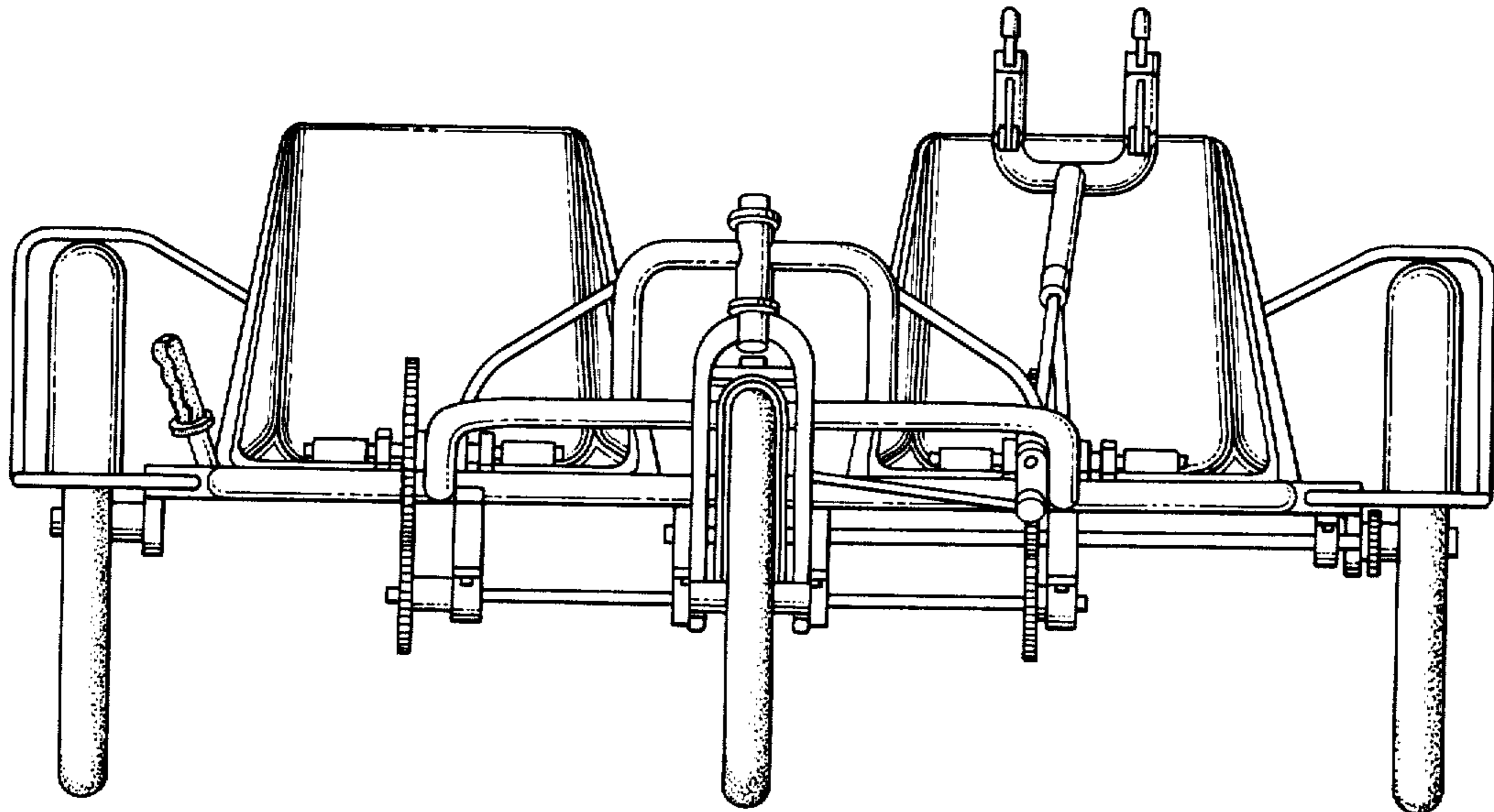
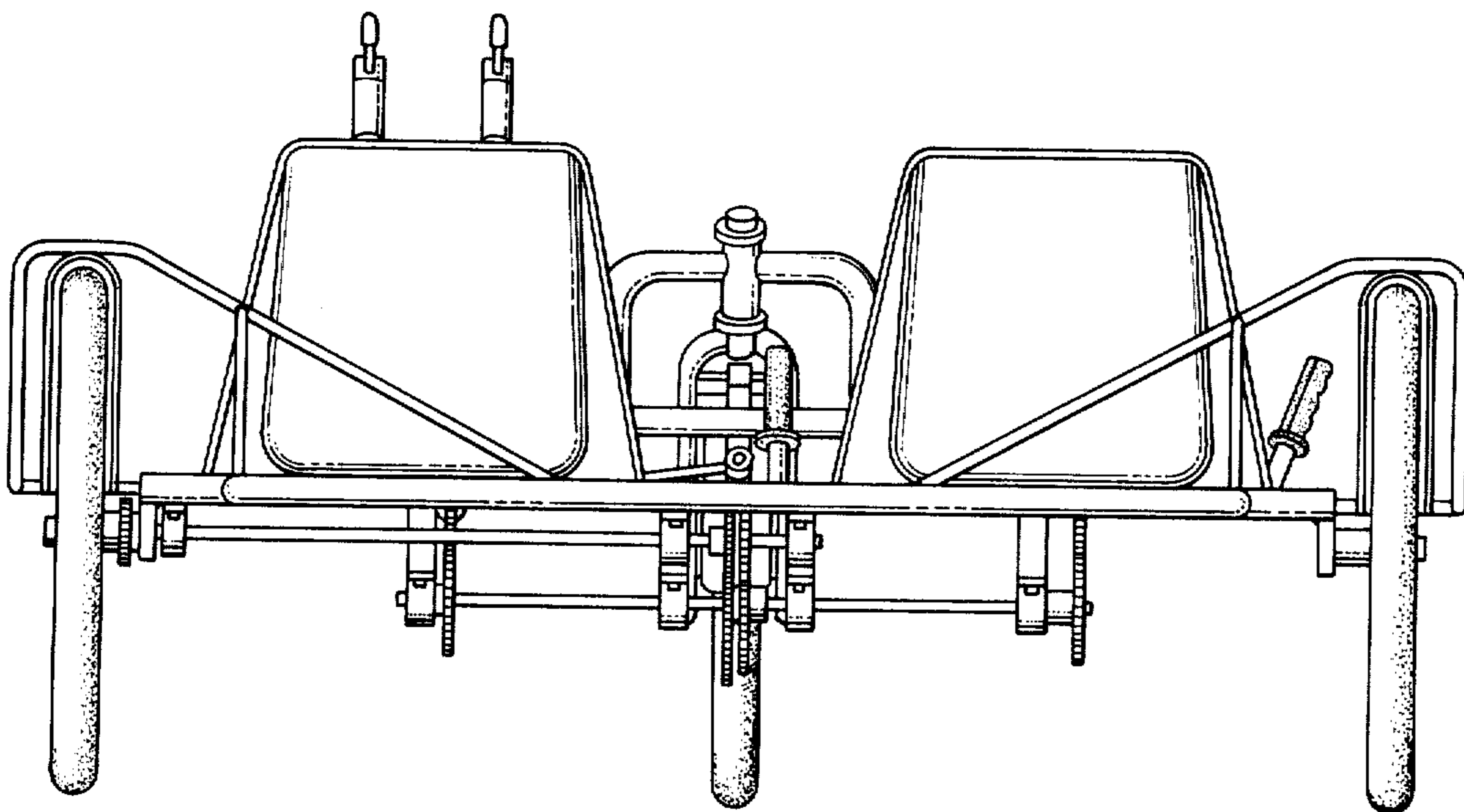


FIG. 1.





*FIG. 4.*



*FIG. 5.*

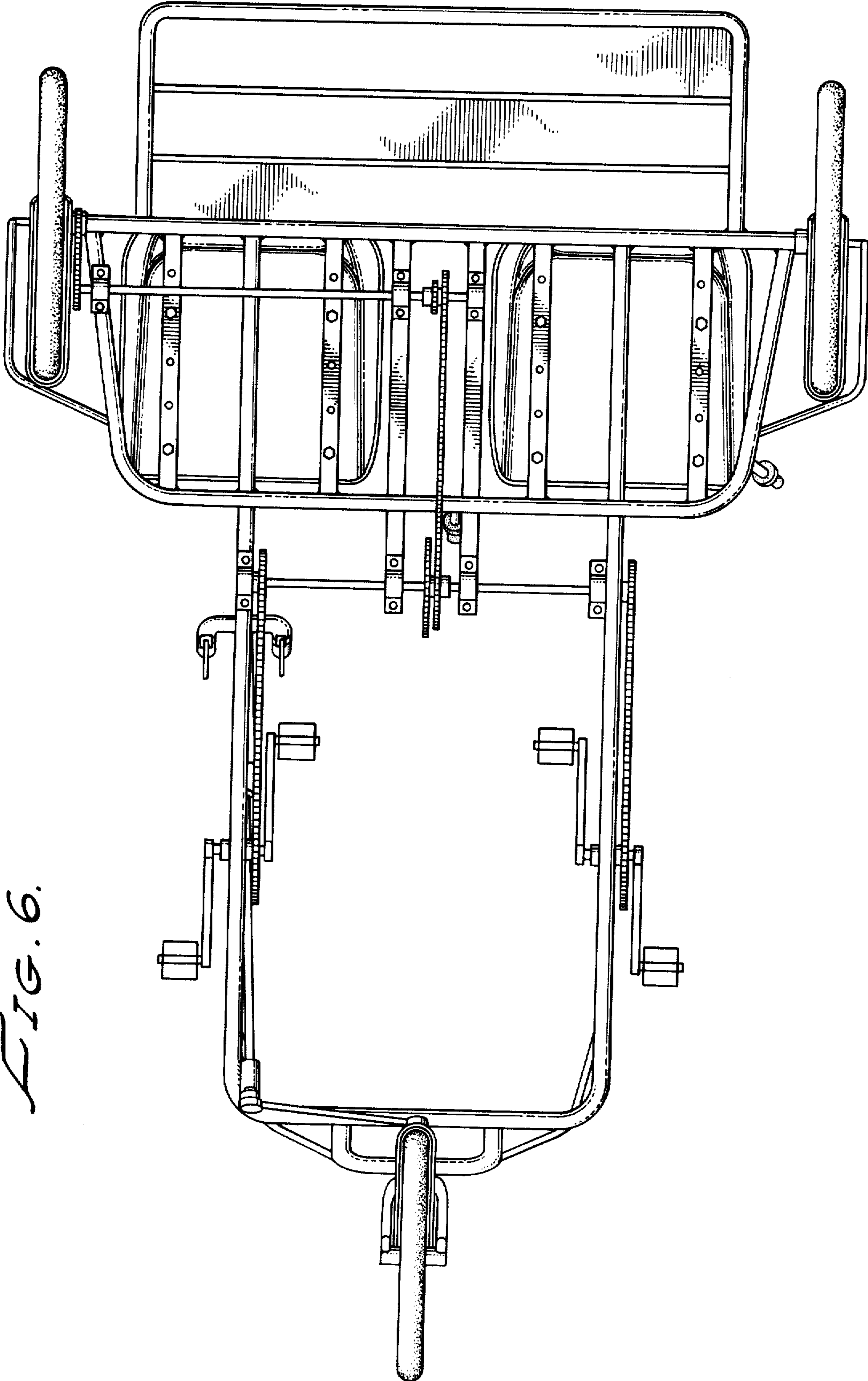


FIG. 6.