

[54] **MINIATURE TWO-SIDED PICTURE FRAME**

[76] **Inventor:** Aidan M. McNally, P.O. Box 530155,
Miami, Fla. 33153

[**] **Term:** 14 Years

[21] **Appl. No.:** 134,569

[22] **Filed:** Mar. 27, 1980

[51] **Int. Cl.** D11-03

[52] **U.S. Cl.** D11/80; D3/62

[58] **Field of Search** D11/1, 2, 7, 40, 44,
D11/43, 79, 80; D10/30, 38, 39; 63/1 R, 2, 13,
18-21, 23; 40/10 D; D6/235; D20/27, 28;
D3/62

[56] **References Cited**

U.S. PATENT DOCUMENTS

2,540,951 2/1951 Kellems 40/10 D

2,793,451 5/1957 Goldsholl D20/27

FOREIGN PATENT DOCUMENTS

728518 4/1955 United Kingdom 40/10 D

Primary Examiner—George P. Word
Attorney, Agent, or Firm—Jerome A. Gross

[57] **CLAIM**

The ornamental design for a miniature two-sided picture frame, substantially as shown and described.

DESCRIPTION

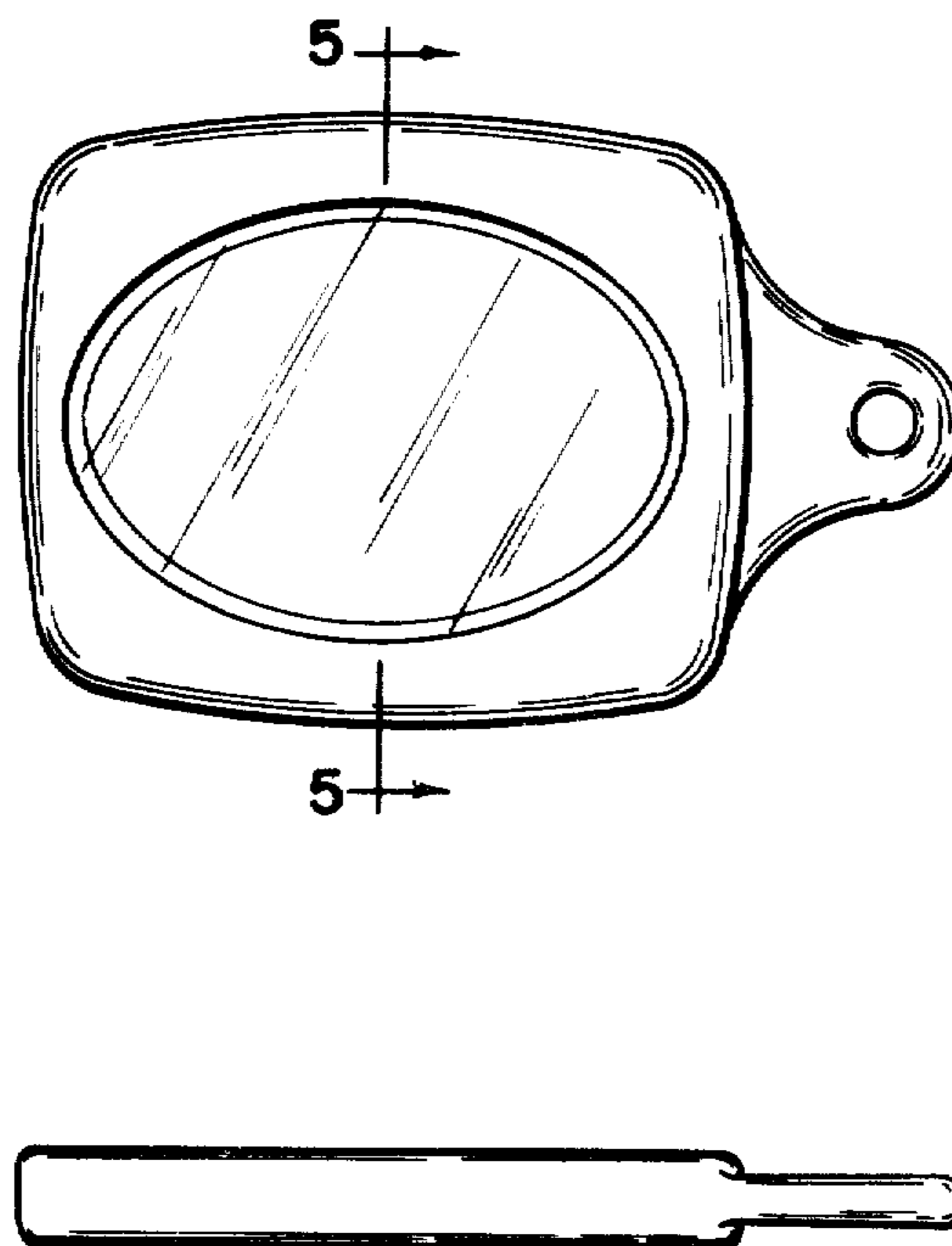
FIG. 1 is a front elevational view of a miniature two-sided picture frame showing my new design, the opposite side being a mirror image thereof.

FIG. 2 is a top plan view thereof.

FIG. 3 is a left end elevational view thereof.

FIG. 4 is a right end elevational view thereof.

FIG. 5 is a cross-sectional view taken along line 5—5 of FIG. 1.



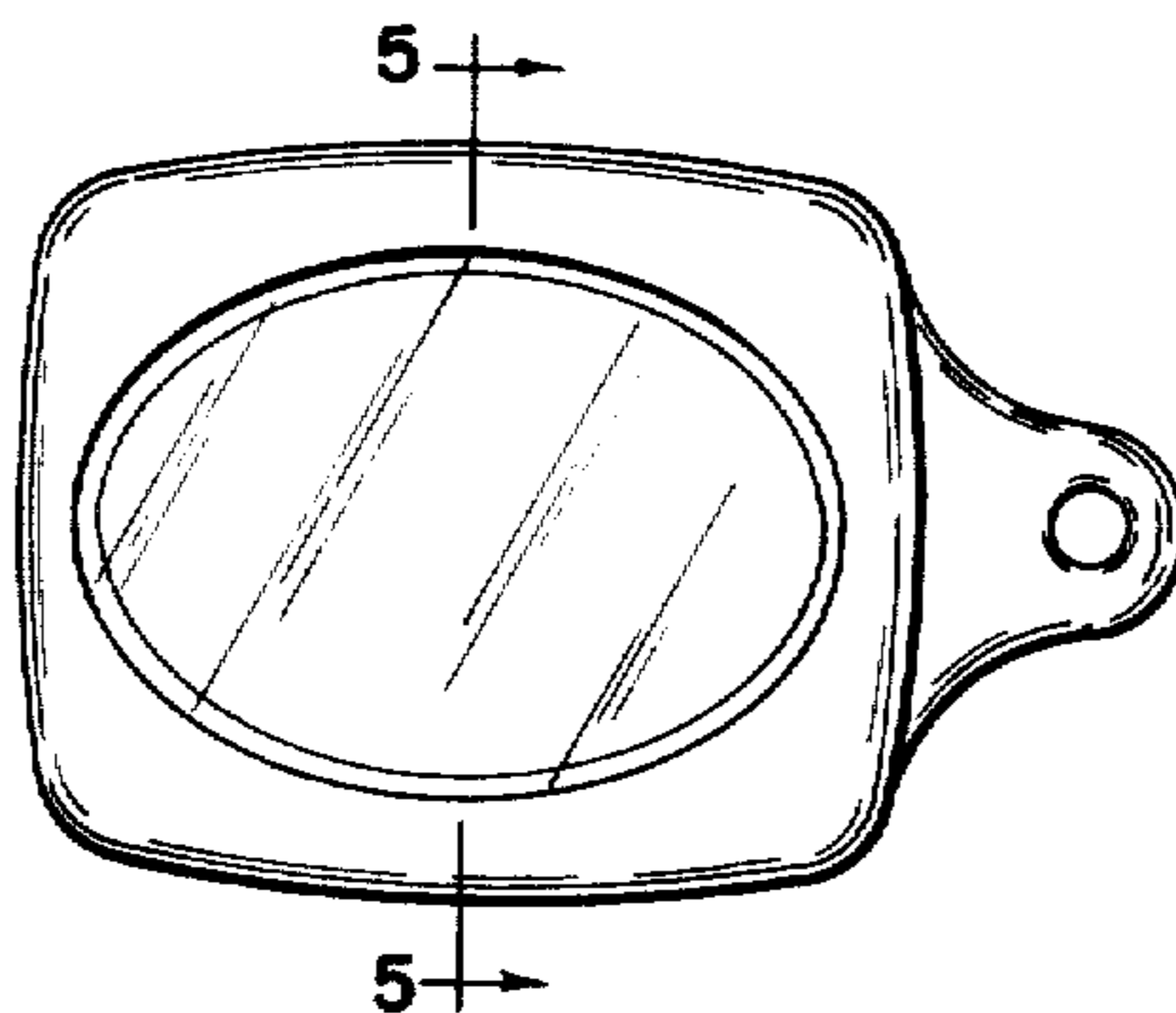


FIG. 1



FIG. 2



FIG. 3



FIG. 4



FIG. 5