

[54] FOOTGAUGE

[75] Inventors: Pierre Bidegain; Georgy Bidegain, both of Pau, France; Dieter Baumann, Greifenstein-Holzhausen, Fed. Rep. of Germany; Rolf Baumann, Leun-Stockhausen, Fed. Rep. of Germany; Peter Stielhoff, Dortmund, Fed. Rep. of Germany

[73] Assignee: Bidegain S.A., Pau, France

[**] Term: 14 Years

[21] Appl. No.: 181,210

[22] Filed: Aug. 25, 1980

[30] Foreign Application Priority Data

Feb. 25, 1980 [DE] Fed. Rep. of Germany URA 202/80

[51] Int. Cl. D10-04

[52] U.S. Cl. D10/70

[58] Field of Search D10/46, 61, 62, 64, D10/70, 71; 33/3 R, 3 A, 3 B, 3 C, 174 D

[56] References Cited

U.S. PATENT DOCUMENTS

D. 205,307	7/1966	Marriott	D10/64
2,519,677	8/1950	Mackay	33/3 B
4,190,959	3/1980	Darvin	33/3 B
4,294,014	10/1981	Baumann et al.	33/3 C

Primary Examiner—Nelson C. Holtje
Attorney, Agent, or Firm—Darby & Darby

[57] CLAIM

The ornamental design for a footgauge, as shown.

DESCRIPTION

FIG. 1 is a top plan view of a foot gauge showing our new design;
FIG. 2 is a front elevational view thereof;
FIG. 3 is a rear elevational view thereof;
FIG. 4 is a right side elevational view thereof;
FIG. 5 is a left side elevational view thereof;
FIG. 6 is a bottom plan view thereof;
FIG. 7 is a top and left front perspective view thereof.

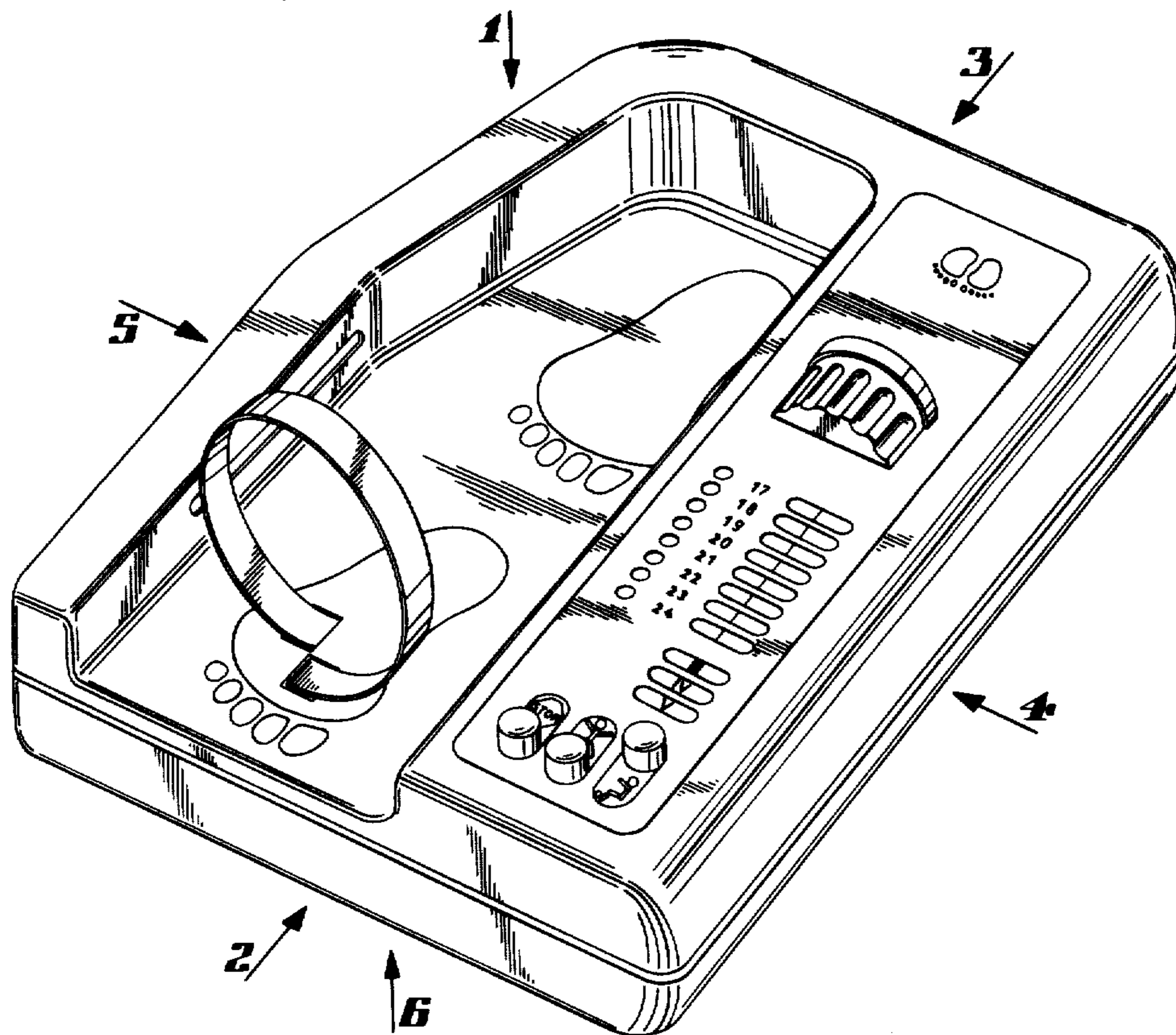
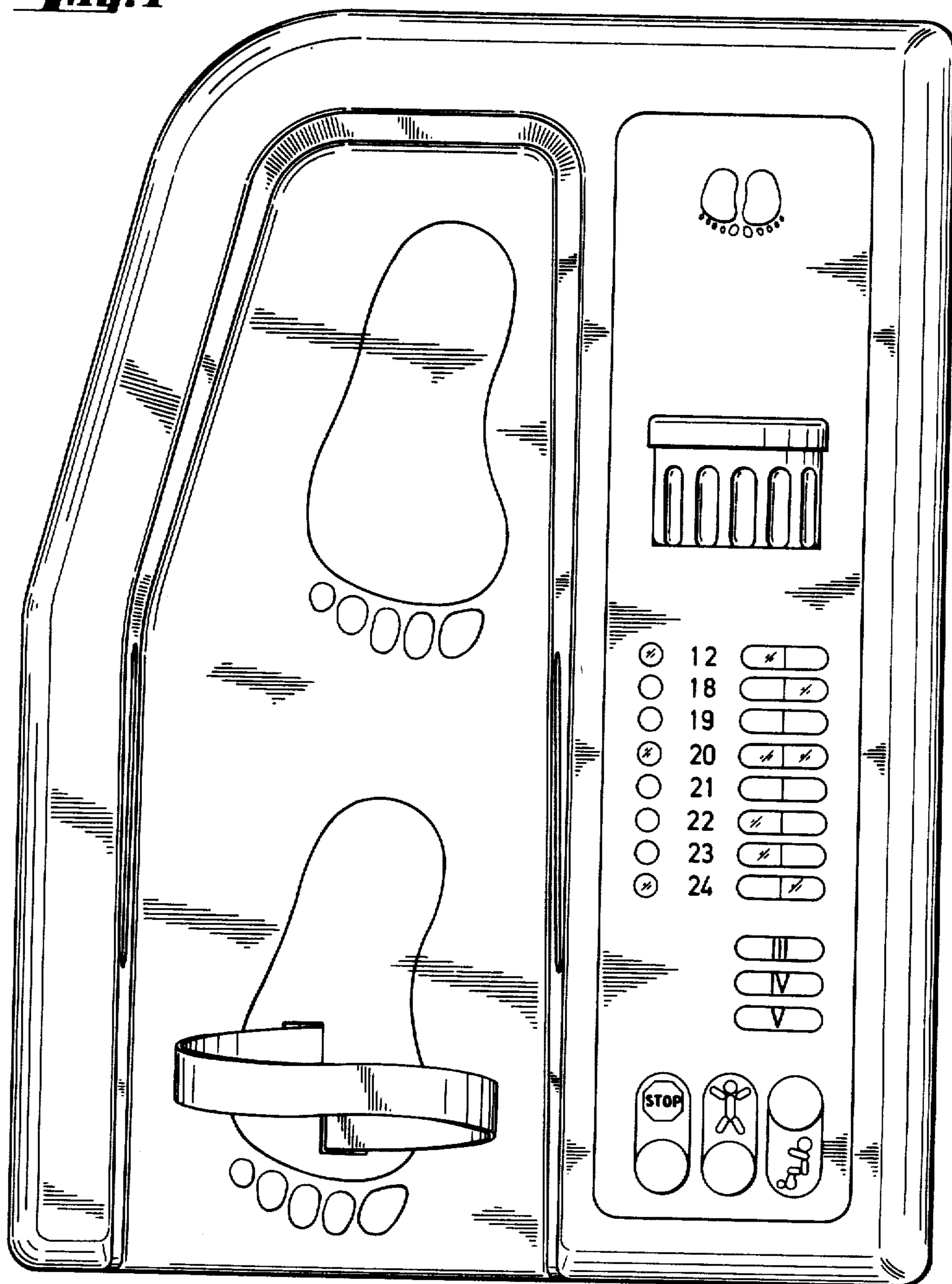
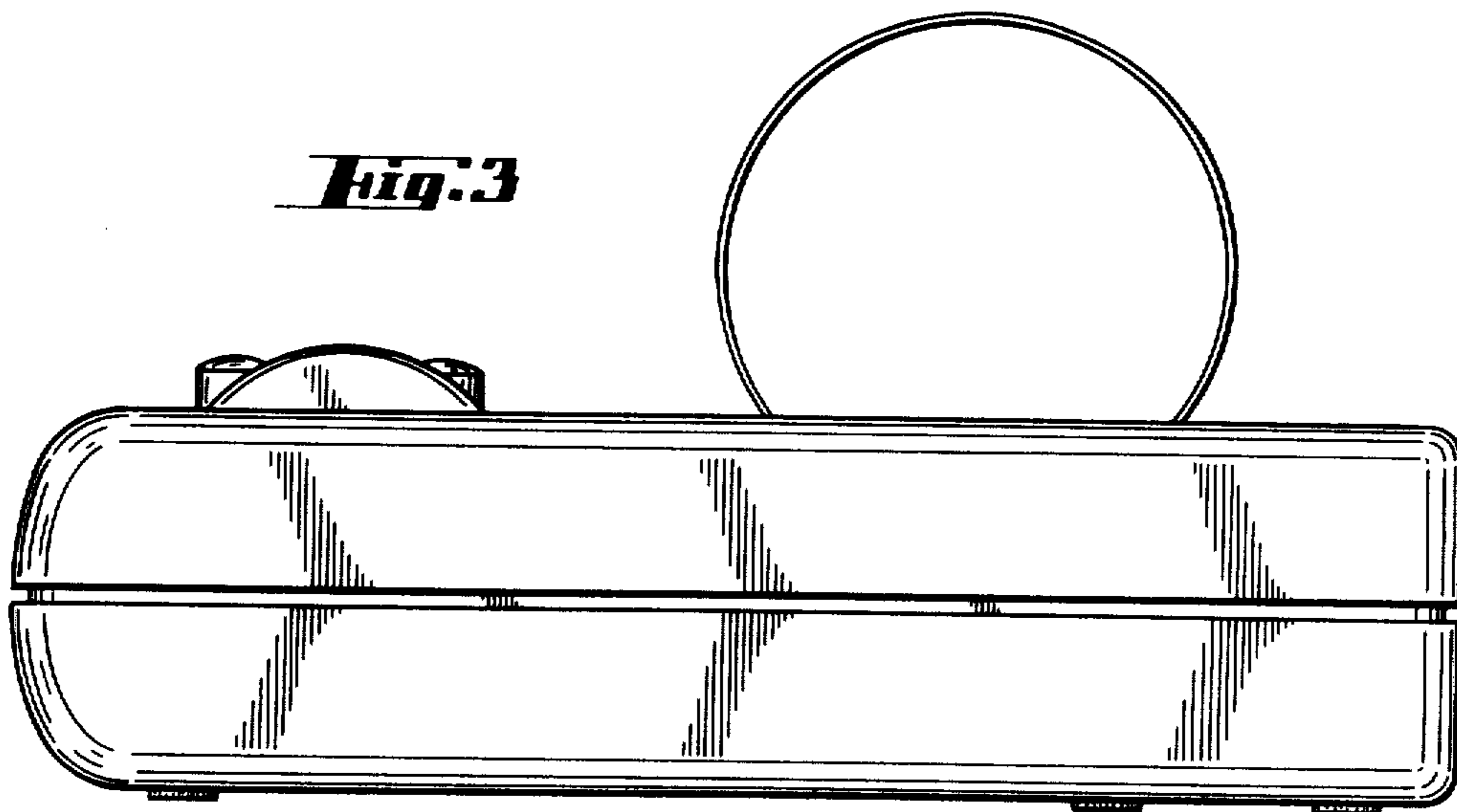
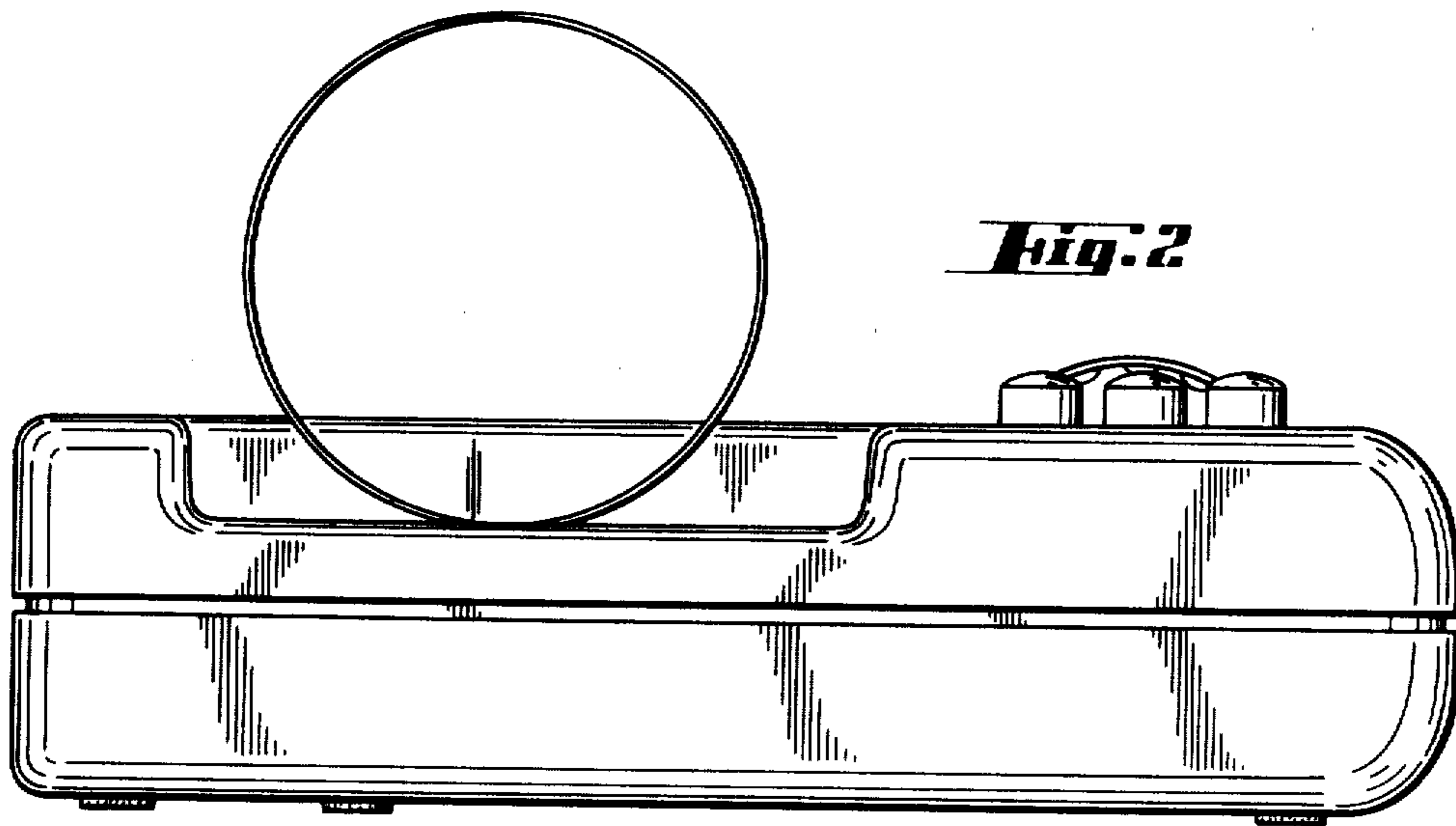


Fig. 1





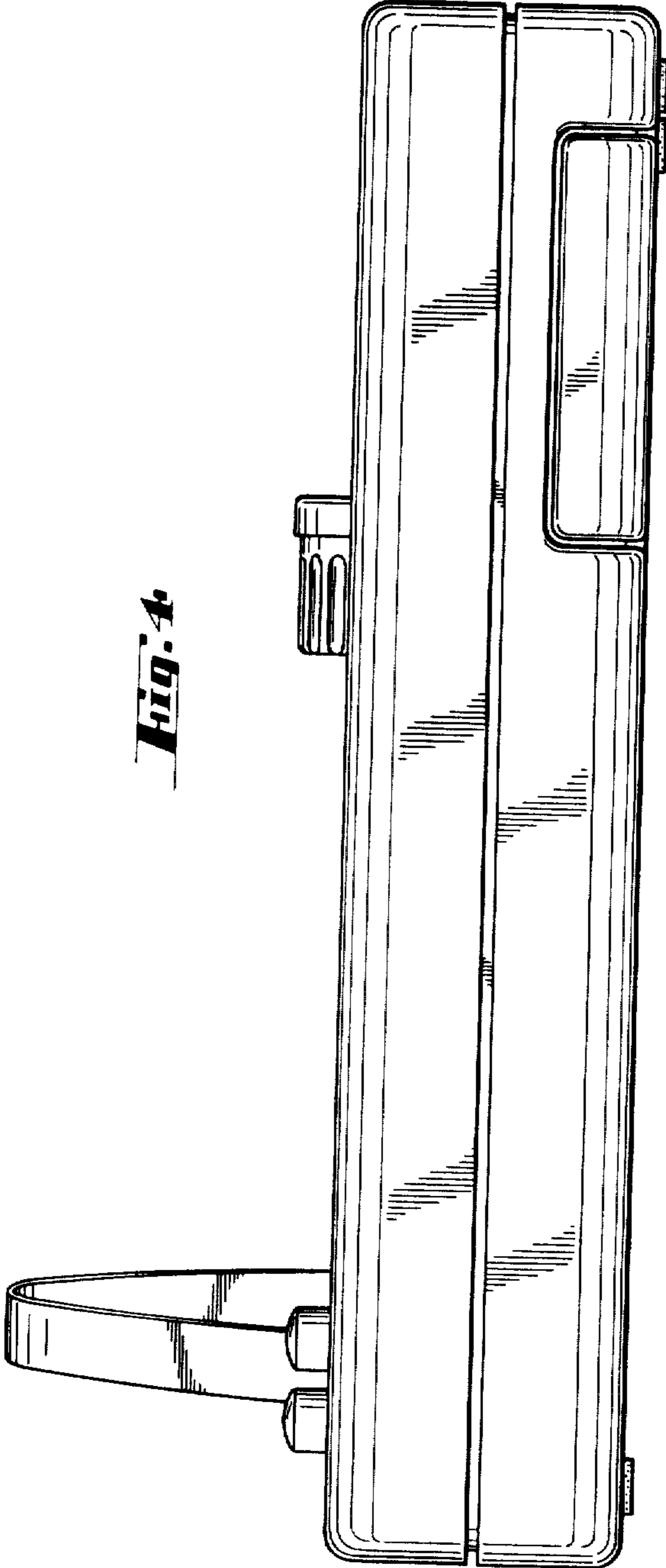


Fig. 4

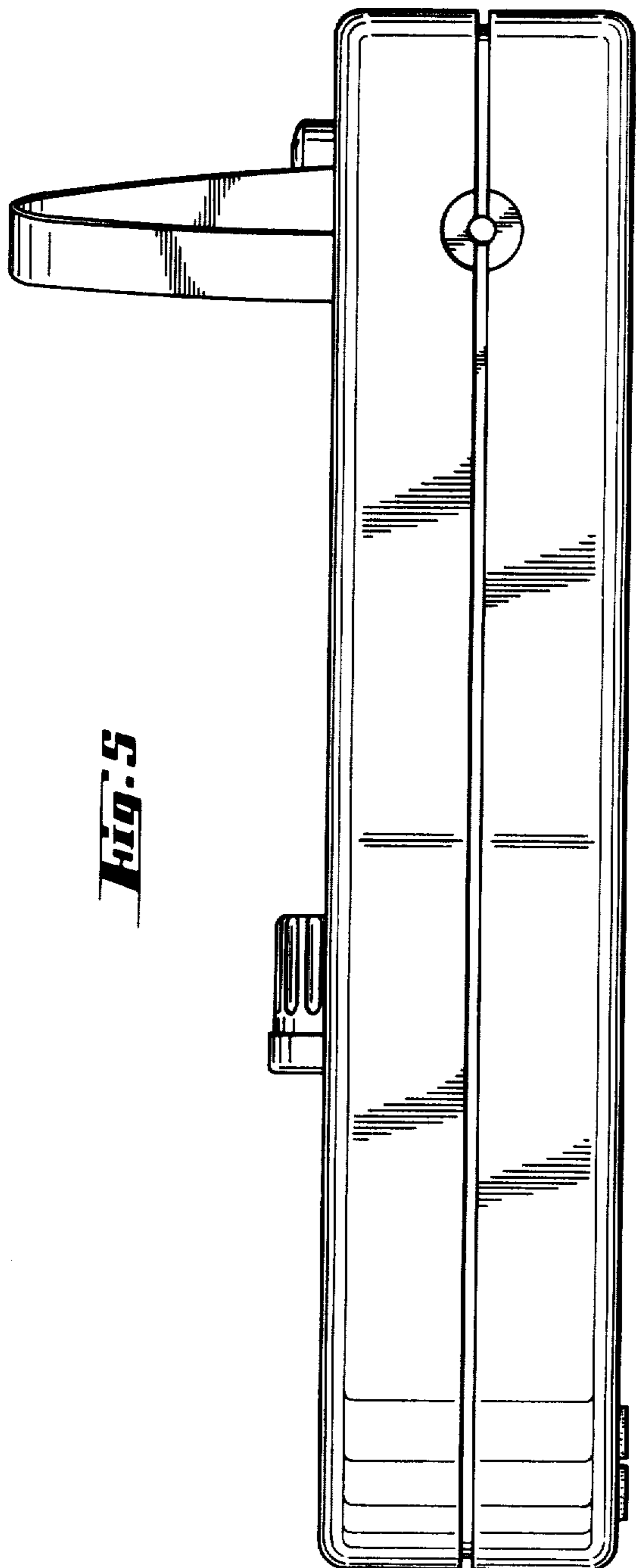


Fig. 5

Fig. 6

