

[54] **TOY RACING GAME TRACK**
 [75] Inventor: Eiji Aoki, Tokyo, Japan
 [73] Assignee: Tomy Kogyo Co., Inc., Tokyo, Japan
 [**] Term: 14 Years
 [21] Appl. No.: 125,220
 [22] Filed: Feb. 27, 1980

[30] **Foreign Application Priority Data**
 Aug. 30, 1979 [JP] Japan 54-36223

[51] Int. Cl. D21-01
 [52] U.S. Cl. D21/143
 [58] Field of Search D21/143, 3; 46/1 K,
 46/43, 202, 216; 104/160

[56] **References Cited**
U.S. PATENT DOCUMENTS
 D. 203,937 3/1966 Dunbar D21/143
 D. 204,468 4/1966 Smedley et al. D21/143

D. 249,289 9/1978 Burcham D21/143
 1,999,052 4/1935 Kennedy D21/143

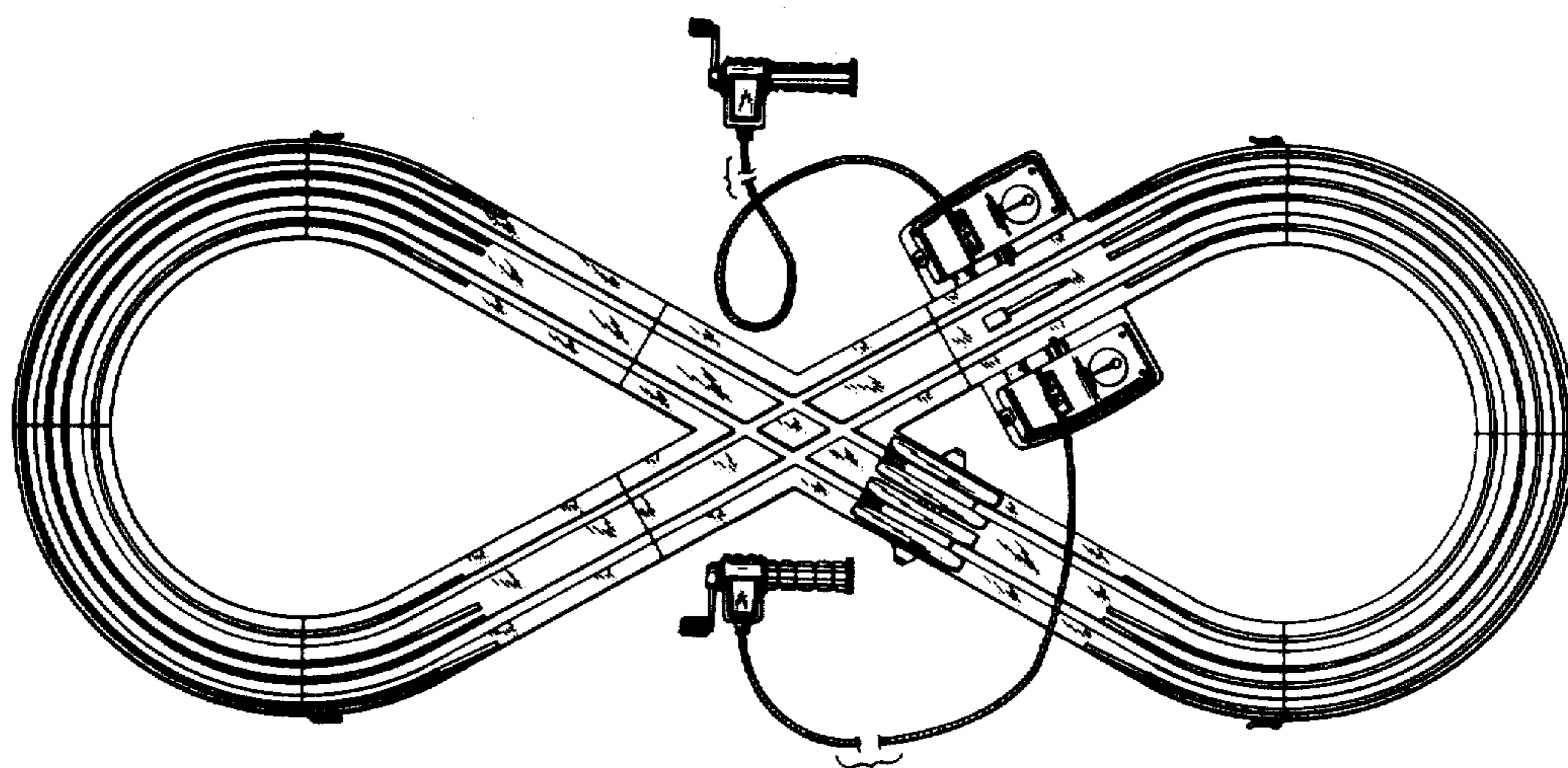
Primary Examiner—Charles A. Rademaker
Attorney, Agent, or Firm—K. H. Boswell; Edward D. O'Brian

[57] **CLAIM**

The ornamental design for a toy racing game track, substantially as shown and described.

DESCRIPTION

FIG. 1 is a top plan view of a toy racing game track showing my new design;
 FIG. 2 is a right side elevational view thereof;
 FIG. 3 is a bottom plan view thereof;
 FIG. 4 is a left side elevational view thereof;
 FIG. 5 is a left end elevational view thereof;
 FIG. 6 is a right end elevational view thereof;
 FIG. 7 is a perspective view of the center section of FIG. 1 shown on an enlarged scale.
 Portions of the cord member have been shown in partial fragment in FIGS. 1, 3 and 4 for ease of illustration.



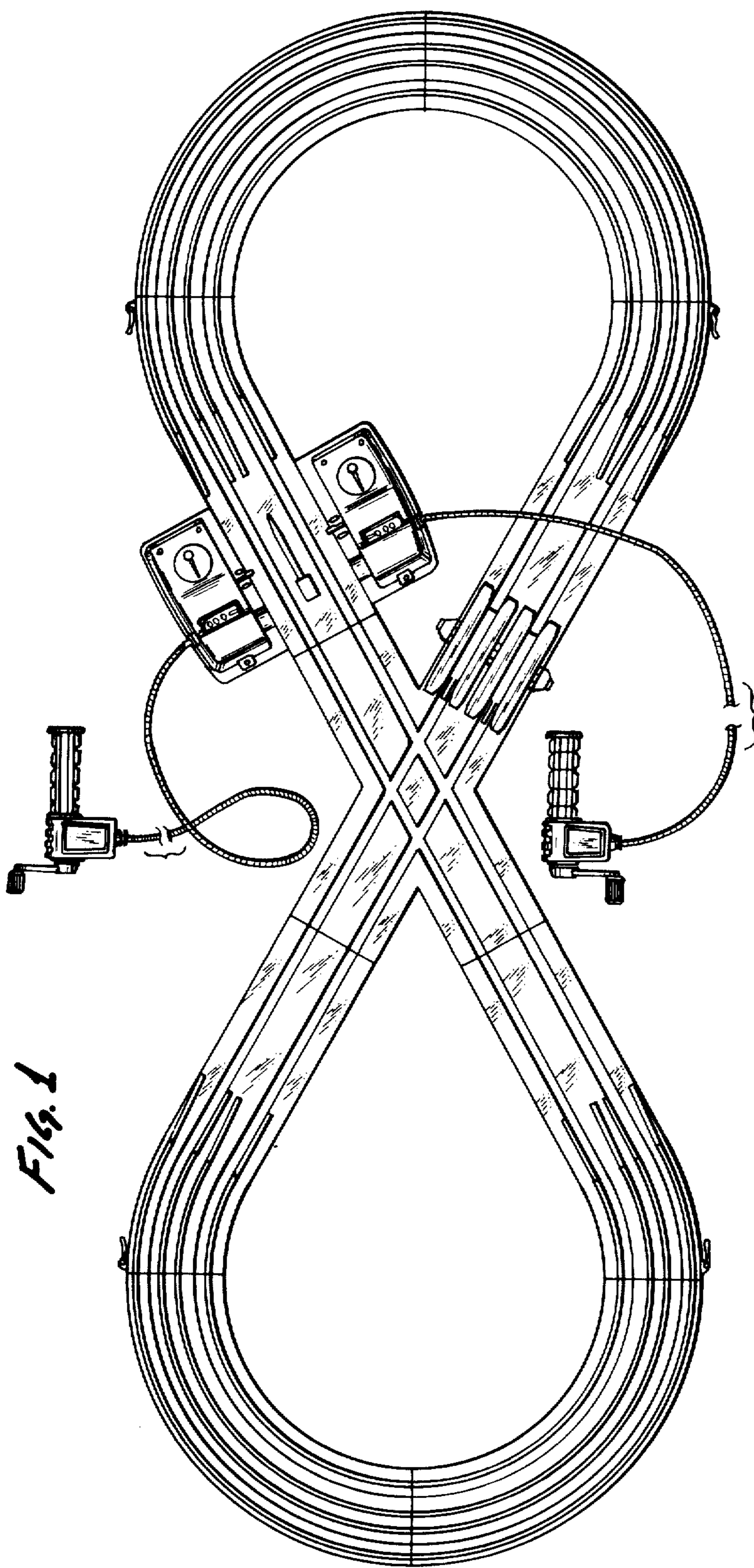


Fig. 1

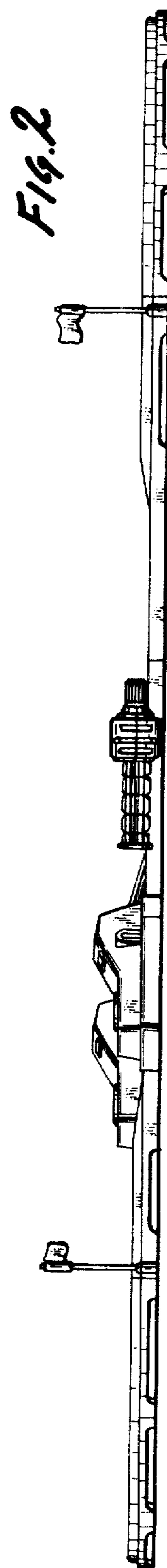


Fig. 2

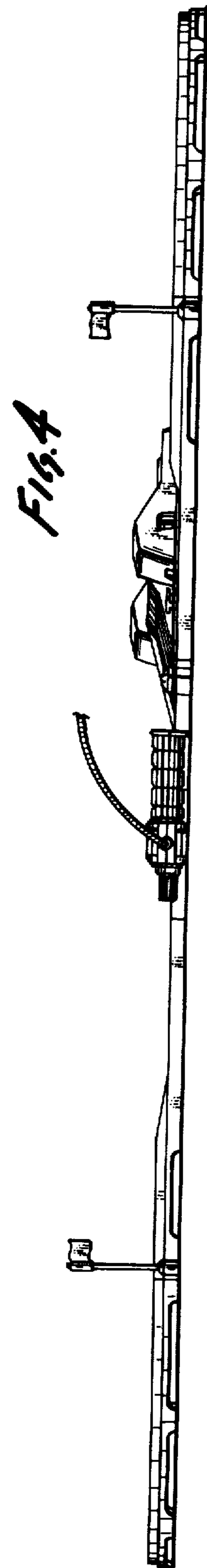
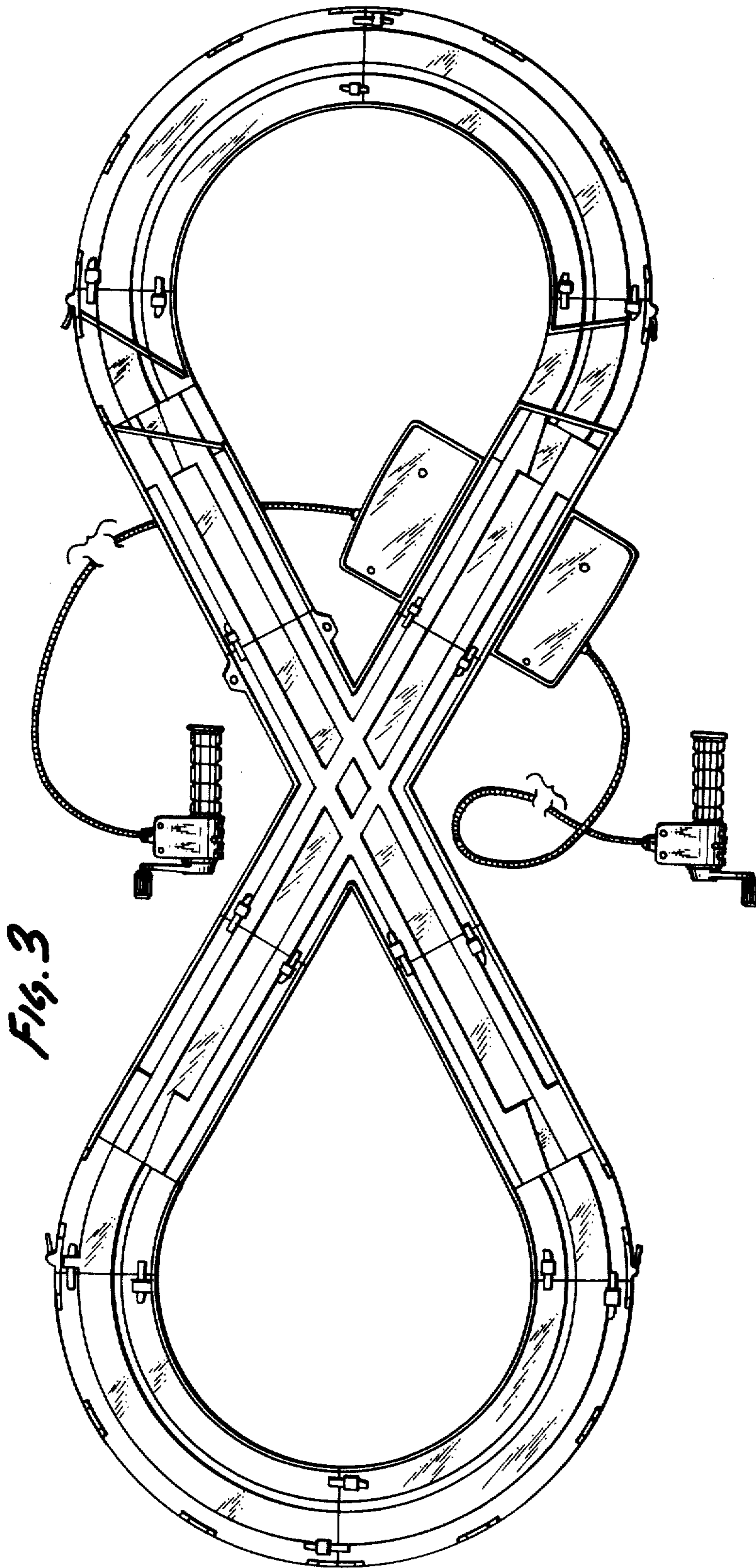


Fig. 7

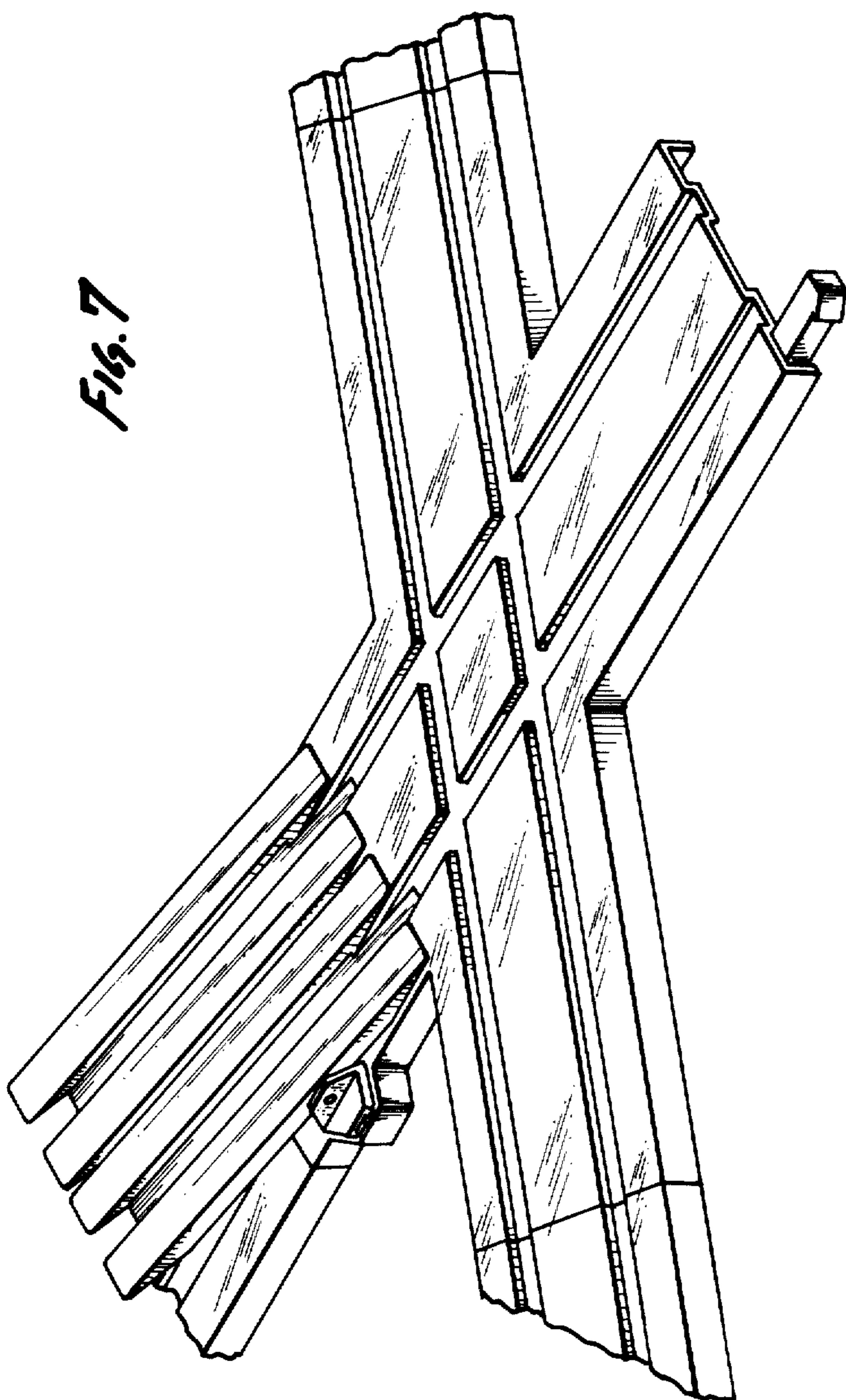


Fig. 5

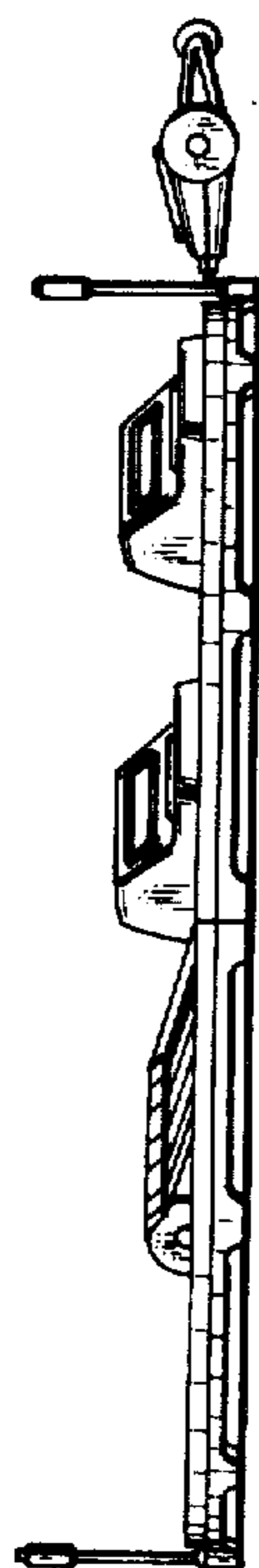


Fig. 6

