

[54] PHOTOGRAPH STORAGE AND DISPLAY CASE

[76] Inventor: Robert E. Raine, 196 Third St., Stoughton, Mass. 02072

[**] Term: 14 Years

[21] Appl. No.: 143,884

[22] Filed: Apr. 25, 1980

[51] Int. Cl. D19-02

[52] U.S. Cl. D19/76; D3/30.1; D3/78; D6/140

[58] Field of Search D3/30.1, 33, 35, 78; D19/75, 76, 78, 86, 92; 40/379, 404, 405; 211/50; D6/140; 206/428

[56] References Cited

U.S. PATENT DOCUMENTS

- D. 258,295 2/1981 Evenson D19/76
- 2,472,567 6/1949 Bruen D19/76

4,091,918 5/1978 Soulakis et al. 206/425

FOREIGN PATENT DOCUMENTS

2038770 2/1972 Fed. Rep. of Germany 40/404

OTHER PUBLICATIONS

Miles Kimbal Cat. ©1979, p. 11, Item left center.

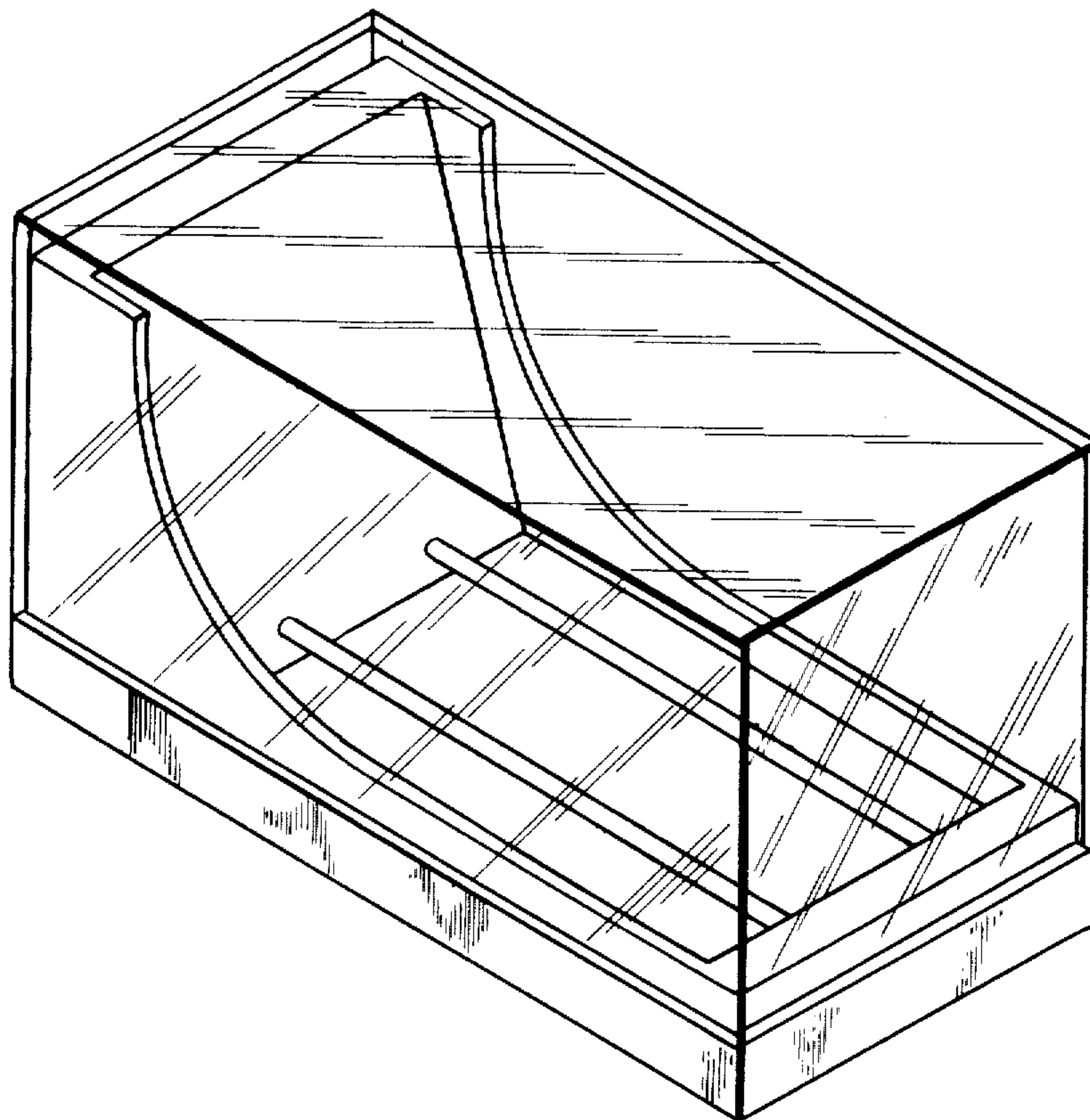
Primary Examiner—George P. Word
Attorney, Agent, or Firm—Robert L. Goldberg

[57] CLAIM

The ornamental design for a photograph storage and display case, substantially as shown and described.

DESCRIPTION

FIG. 1 is a perspective view of a photograph storage and display case showing my new design; FIG. 2 is a top plan view thereof; FIG. 3 is a front elevational view thereof; FIG. 4 is a left side elevational view thereof, the right side being identical with the left side; and FIG. 5 is a rear elevational view thereof.



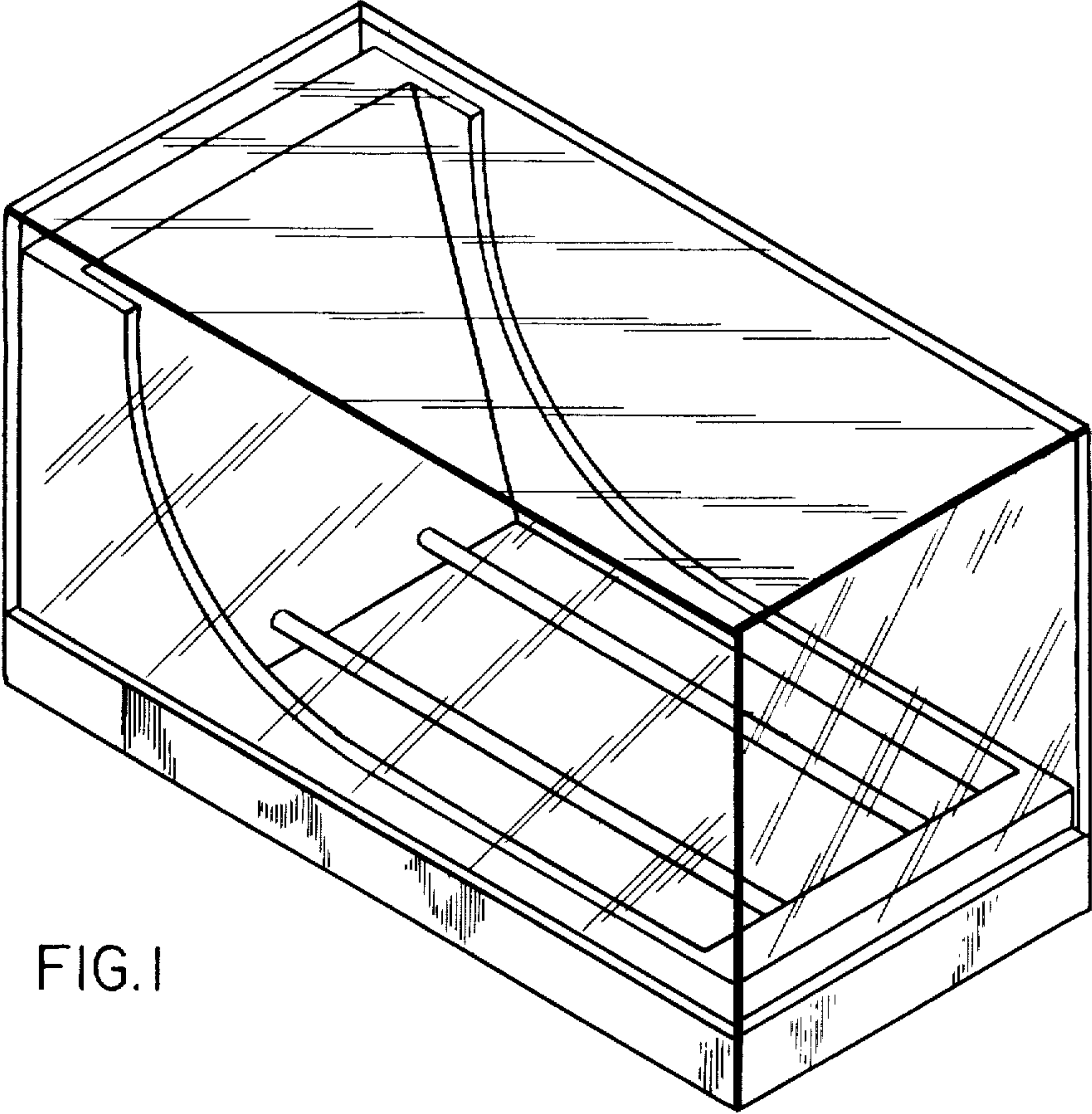


FIG. 1

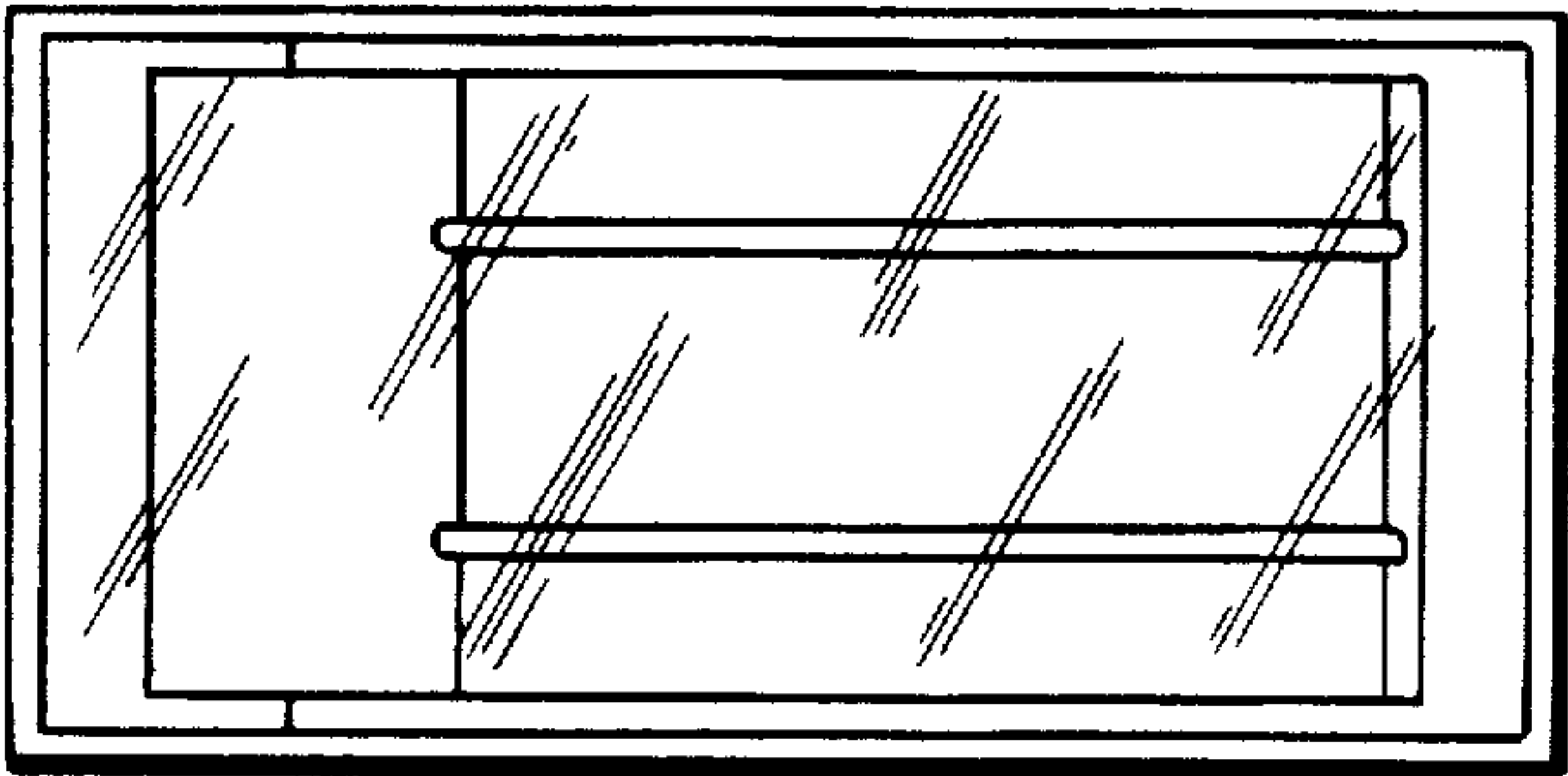


FIG. 2

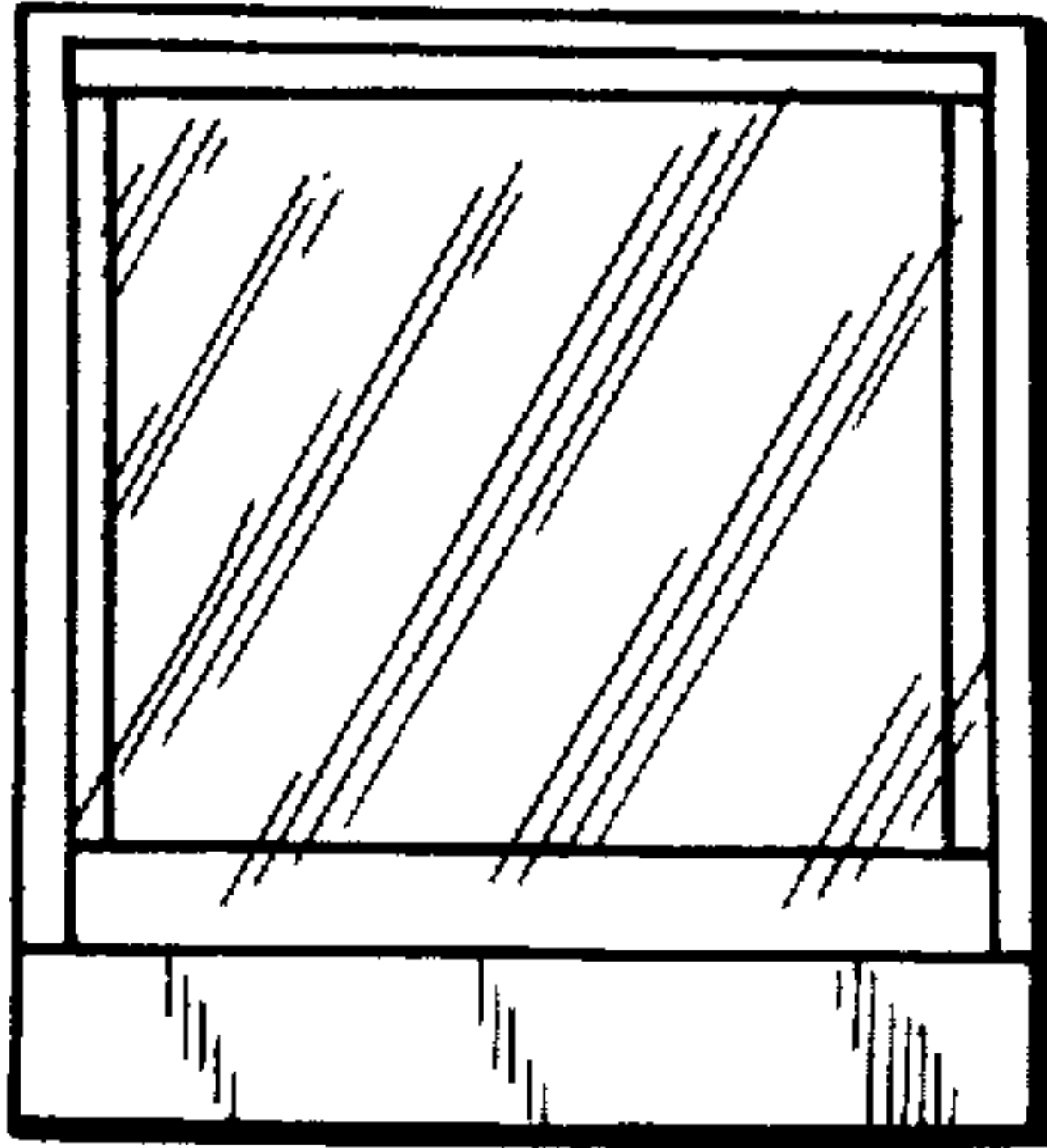


FIG. 3

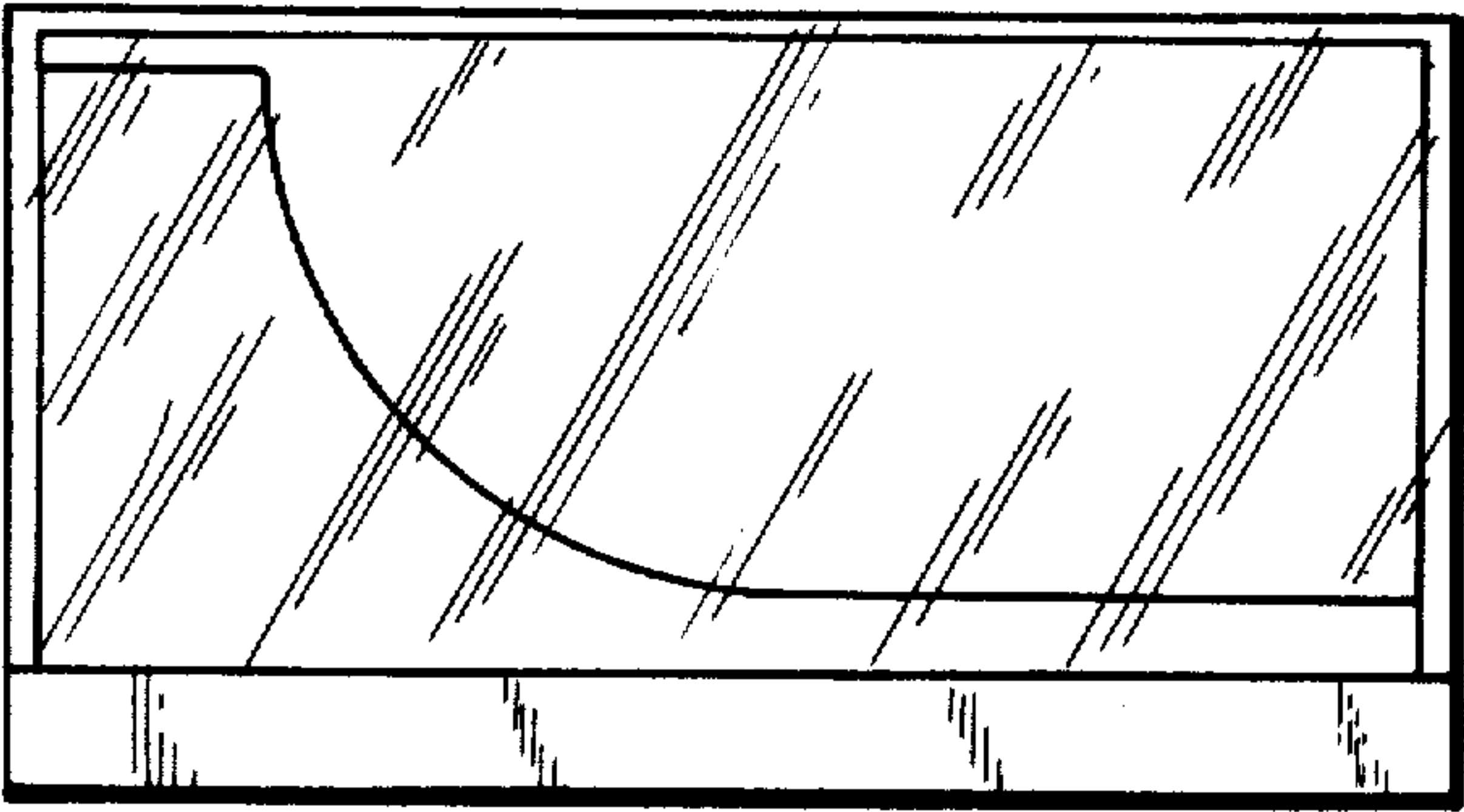


FIG. 4

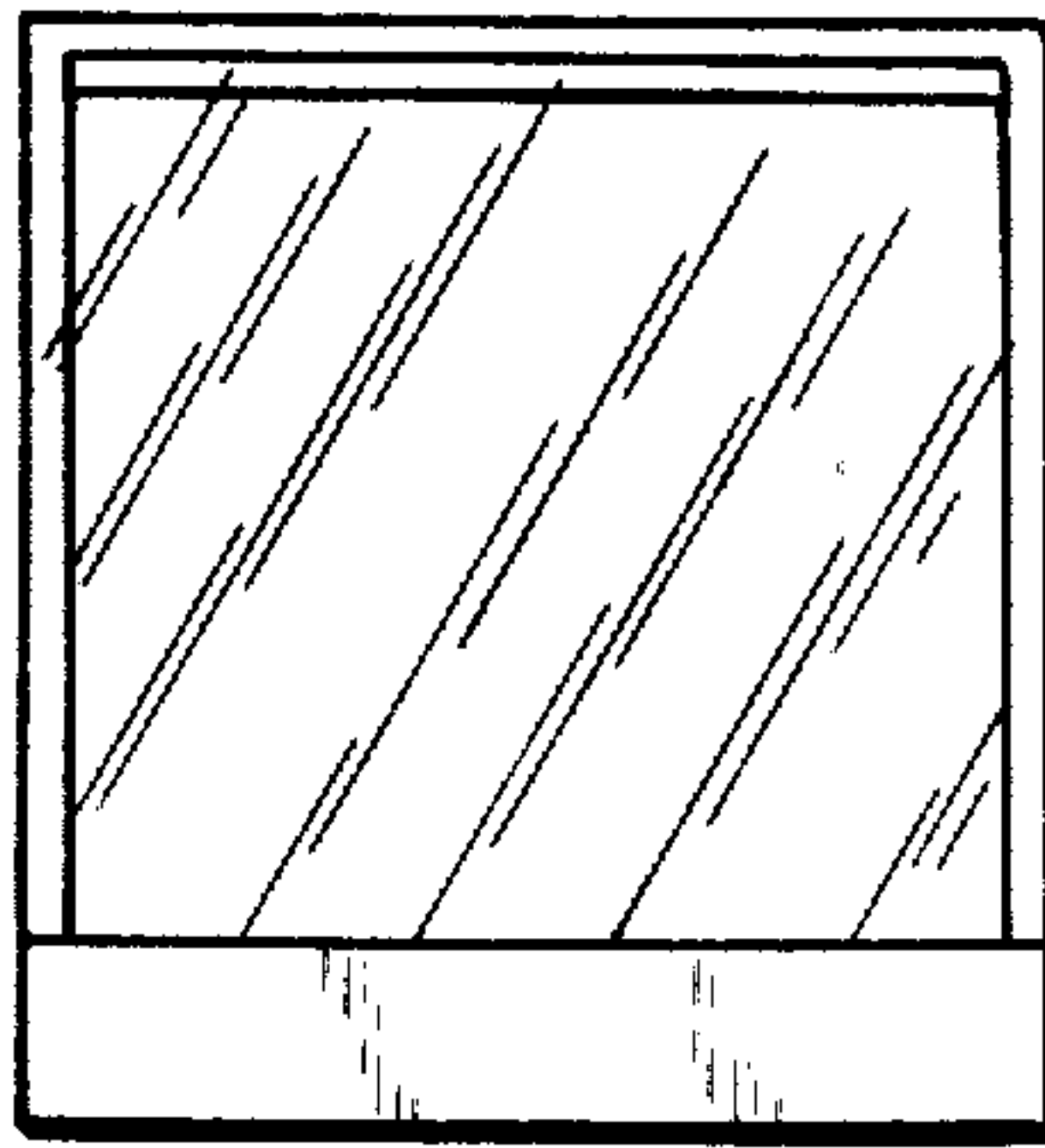


FIG. 5