

[54] **AUTOMATIC FOCUSING LENS**

[75] **Inventor: Hiroshi Matsushima, Tokyo, Japan**

[73] **Assignee: Canon Kabushiki Kaisha, Tokyo, Japan**

[**] **Term: 14 Years**

[21] **Appl. No.: 163,417**

[22] **Filed: Jun. 27, 1980**

[51] **Int. Cl. D16-05**

[52] **U.S. Cl. D16/134**

[58] **Field of Search D16/134, 135, 136; 354/195, 25 R, 25 A; 352/140**

[56] **References Cited**

U.S. PATENT DOCUMENTS

D. 192,706 5/1962 Himmelsbach D16/134

D. 235,034 4/1975 Clegg D16/134
3,730,068 5/1973 Freeland 354/195
4,095,244 6/1978 Yokoyama 354/195

Primary Examiner—Nelson C. Holtje
Attorney, Agent, or Firm—Fitzpatrick, Cella, Harper & Scinto

[57] **CLAIM**

The ornamental design for an automatic focusing lens, as shown and described.

DESCRIPTION

FIG. 1 is a right side elevational view of an automatic focusing lens showing my new design;
FIG. 2 is a left side elevational view thereof;
FIG. 3 is a top plan view thereof;
FIG. 4 is a bottom plan view thereof;
FIG. 5 is a front elevational view thereof;
FIG. 6 is a rear elevational view thereof;
FIG. 7 is a right front perspective view thereof.

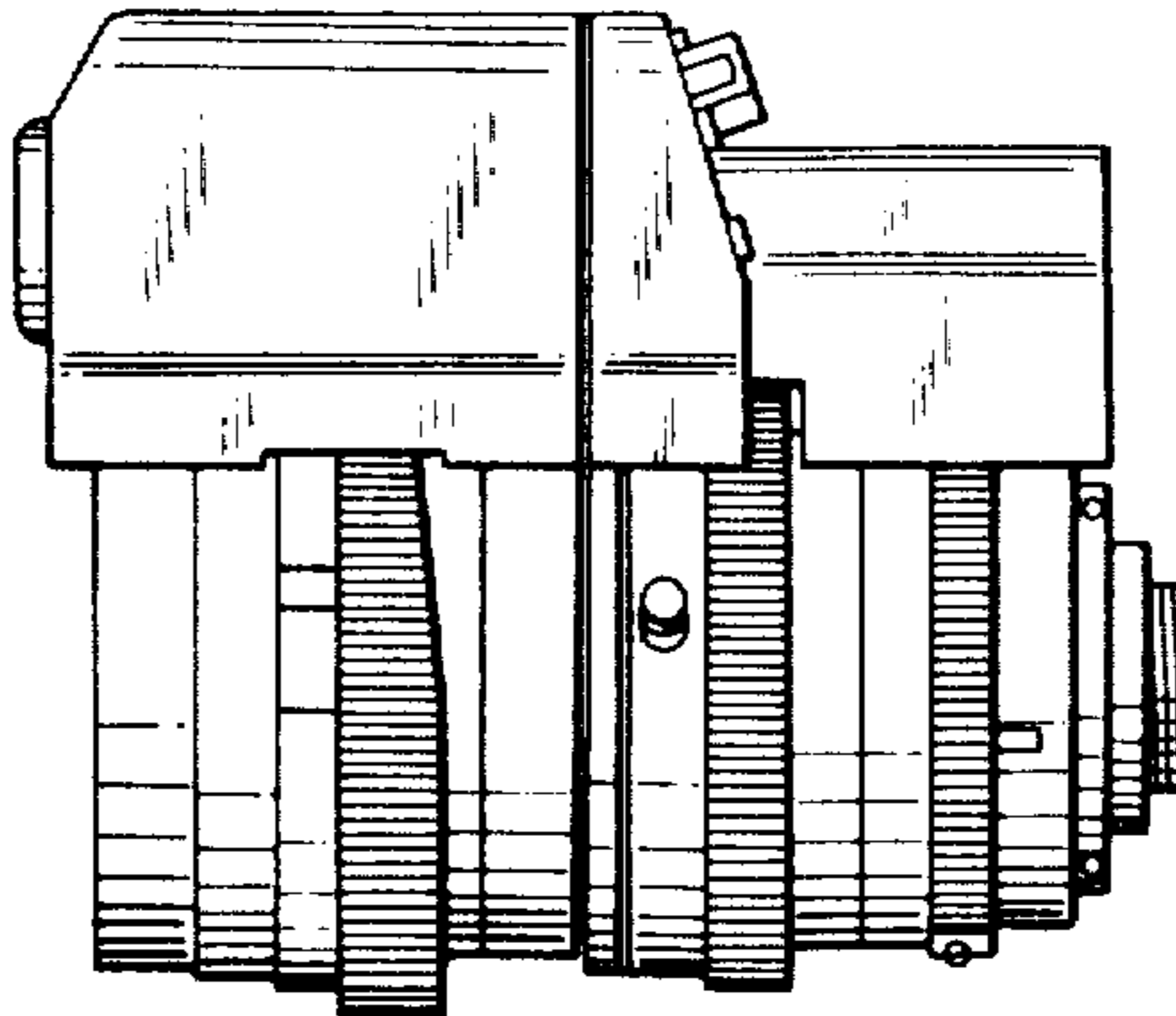


FIG. 1

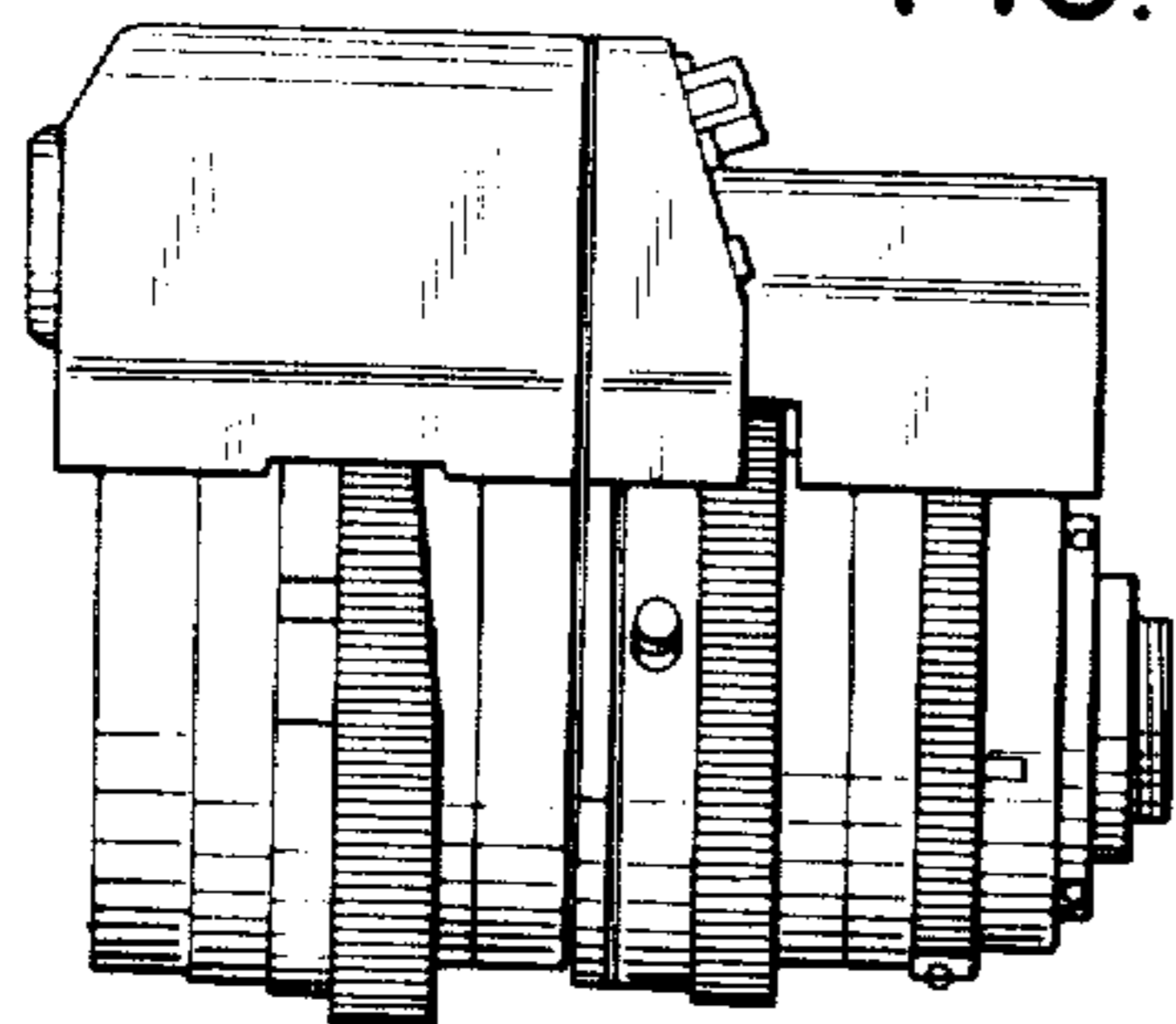


FIG. 2

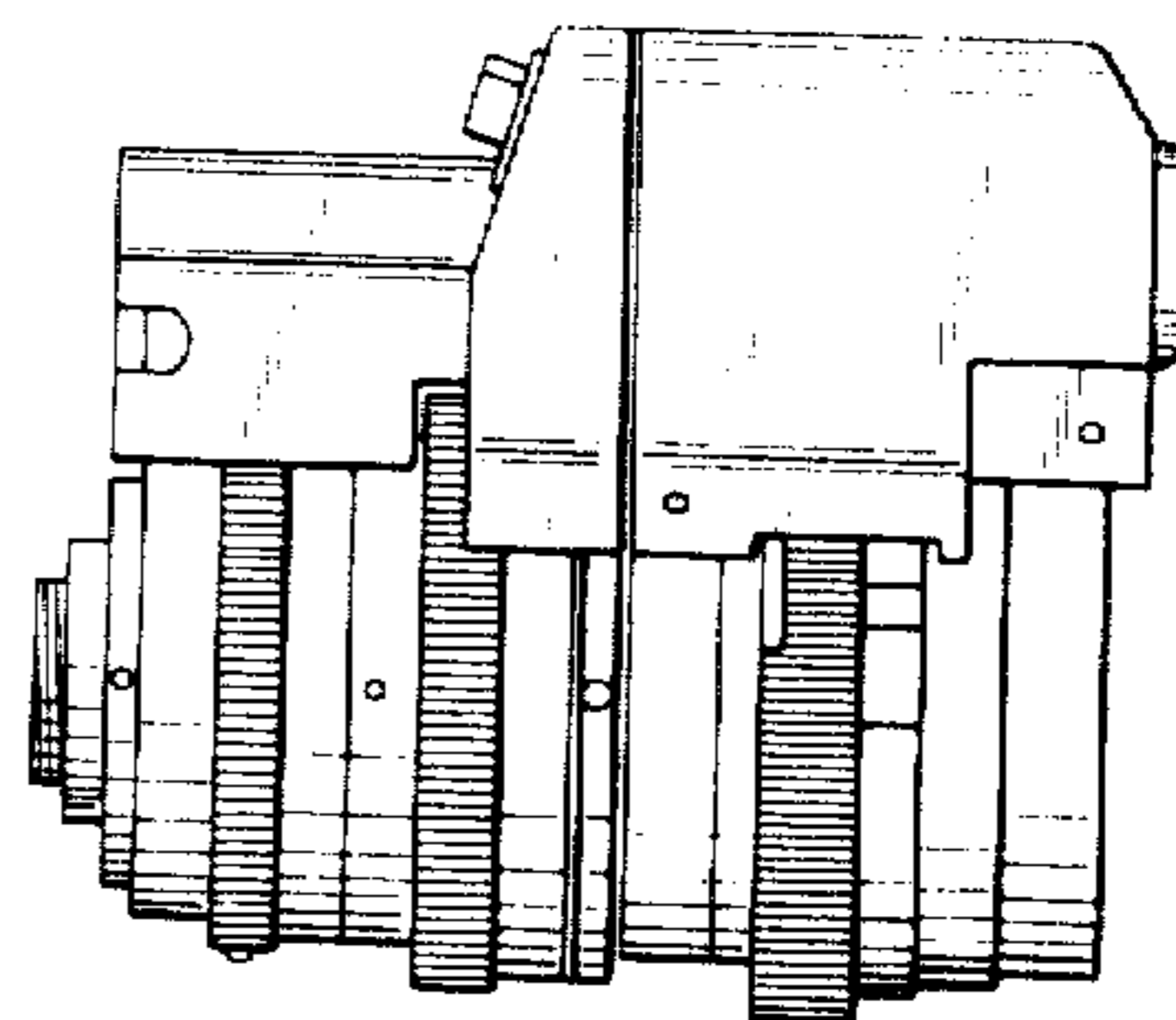


FIG. 3

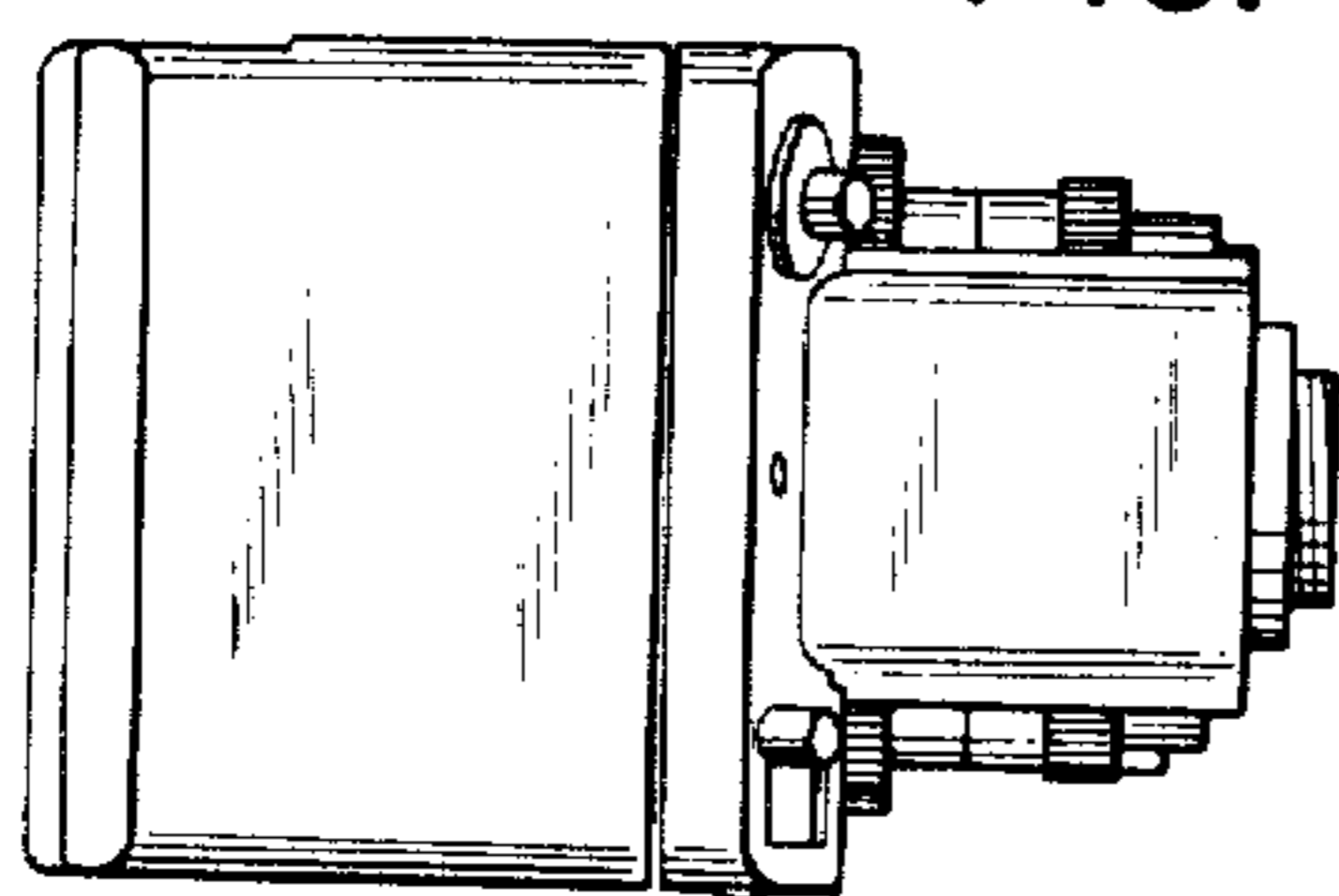


FIG. 4

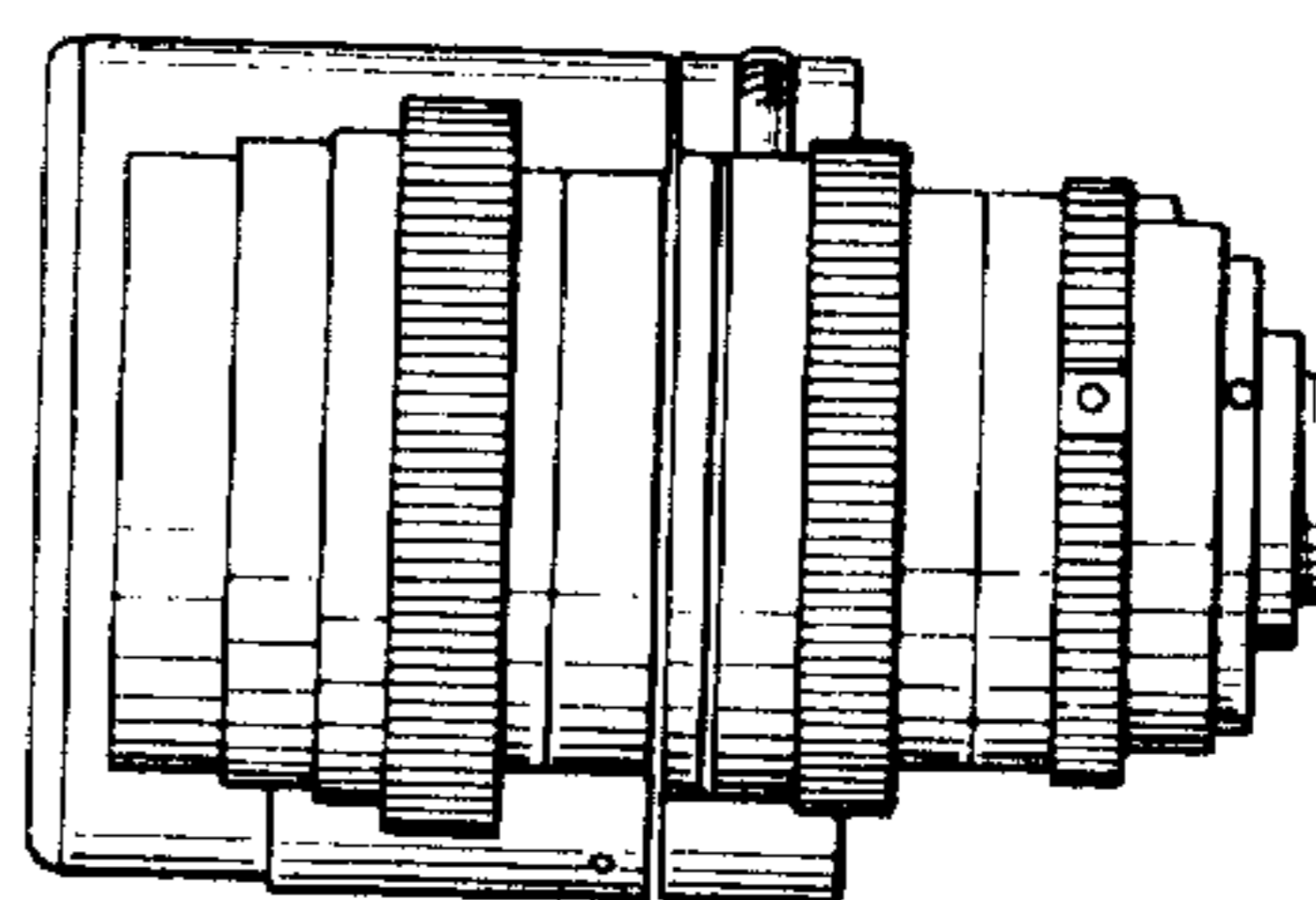


FIG. 5

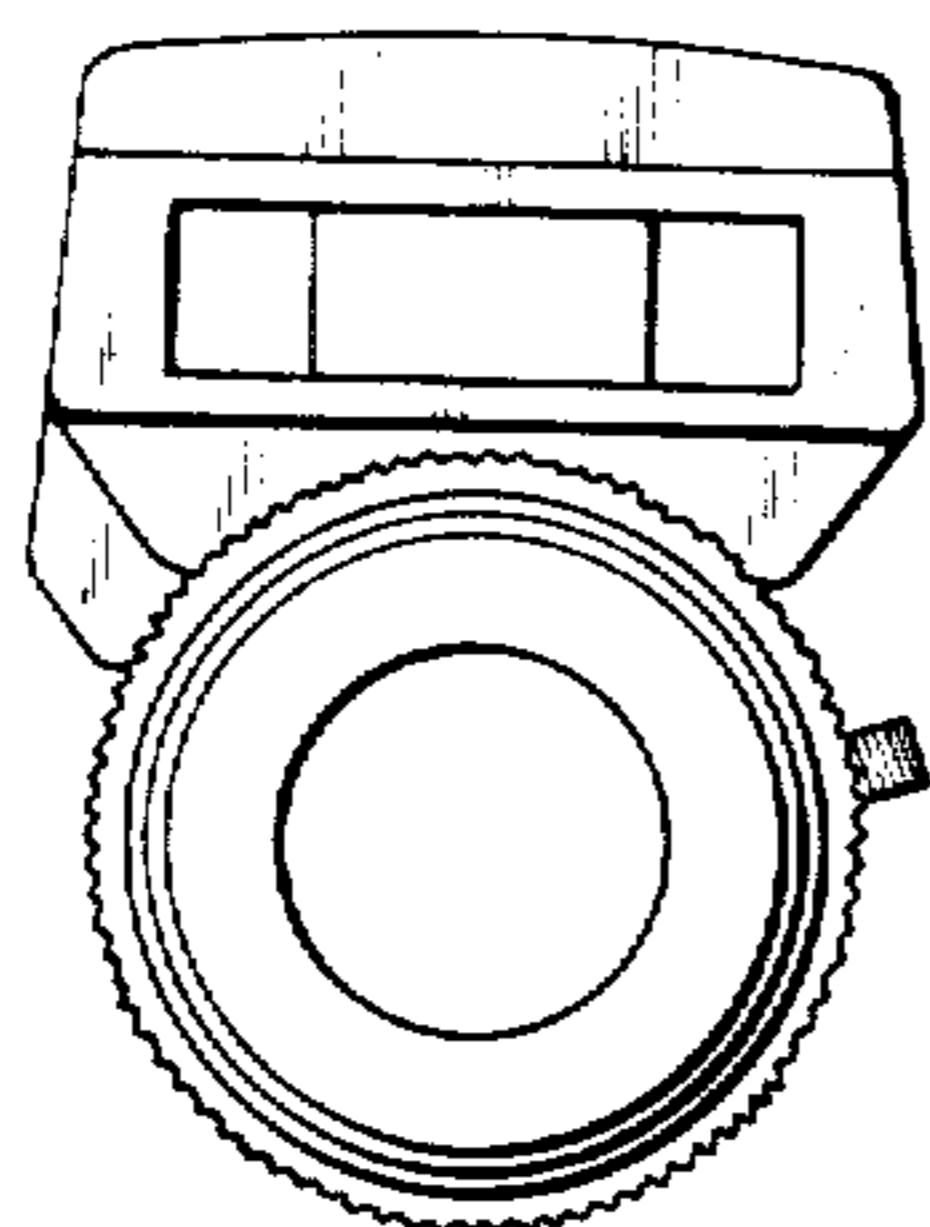


FIG. 6

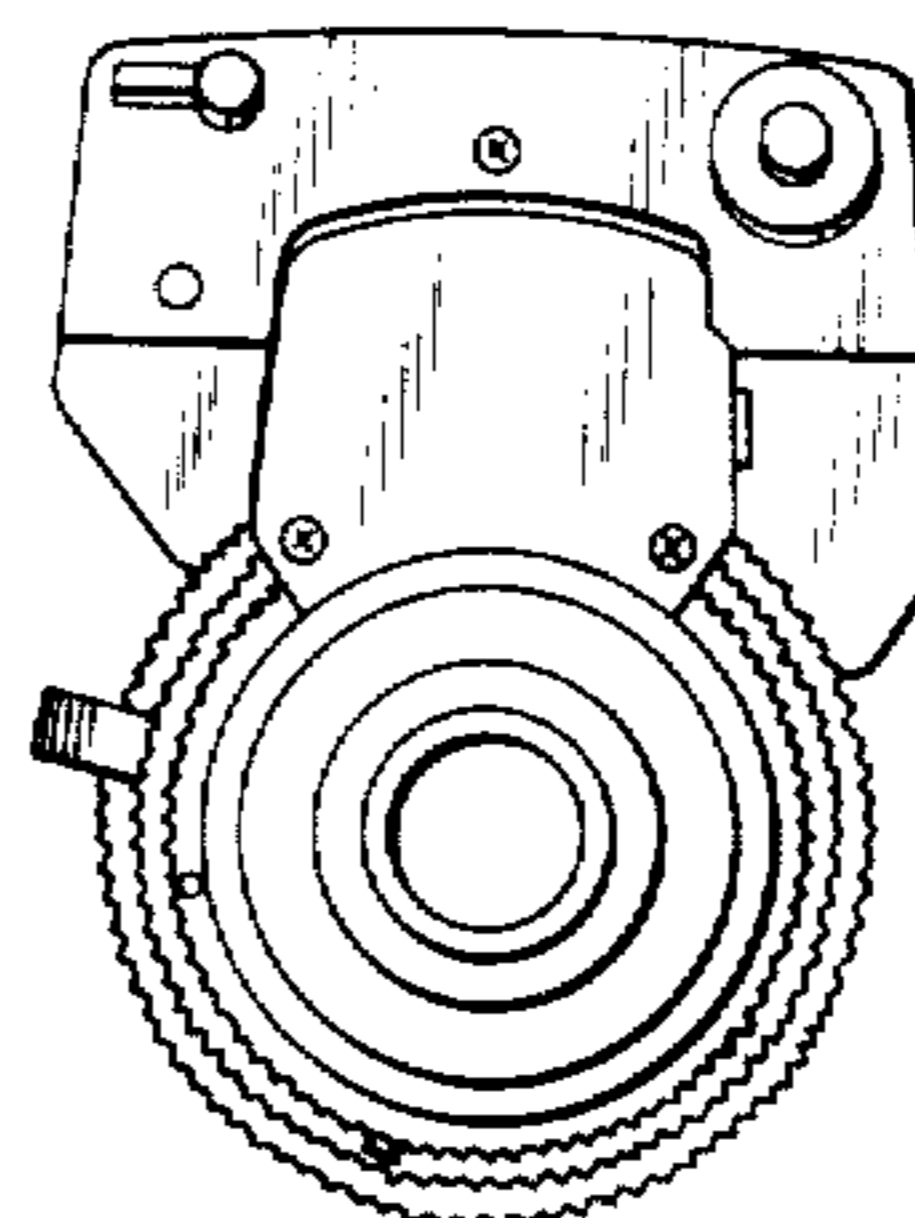


FIG. 7

