

[54] **SORTER FOR USE WITH A COPYING MACHINE**

[75] Inventors: **Shigeki Yasutani, Kashiwa; Kunio Hara, Chiba, both of Japan**

[73] Assignee: **Tokyo Shibaura Denki Kabushiki Kaisha, Japan**

[**] Term: **14 Years**

[21] Appl. No.: **148,703**

[22] Filed: **May 12, 1980**

[30] **Foreign Application Priority Data**

Nov. 20, 1979 [JP] Japan 54-48396

[51] Int. Cl. **D16-03**

[52] U.S. Cl. **D16/32; D14/110**

[58] Field of Search **D16/26-32; 271/283-293; D14/110**

[56] **References Cited**

U.S. PATENT DOCUMENTS

D. 209,409	11/1967	Britt	D16/32
D. 230,515	2/1974	Hutcheson	D16/30
D. 236,853	9/1975	Lucker	D14/110
D. 236,854	9/1975	Lucker	D14/110
D. 244,280	5/1977	Cross	D16/32
D. 245,166	7/1977	Bevilacqua	D16/32
D. 251,789	5/1979	Hoyt	D16/32
D. 261,522	10/1981	Snellman	D16/32
4,299,382	11/1981	Ichikawa	271/287

OTHER PUBLICATIONS

Japanese Design Registration No. 385212 registered on 6/20/74.

Japanese Design-of-Similarity No. 1 to Registration No. 385212 registered on Jun. 20, 1974, registered on Jul. 22, 1976.

Japanese Design-of-Similarity No. 2 to Registration No. 385212 registered on Jun. 20, 1974, registered on 8/18/77.

Japanese Design Registration No. 471769 registered on Nov. 15, 1977.

Japanese Design Application No. 48396/79 which has been registered as registration No. 556,512 on 4/21/81 without any official action on the merit and without any cited references, and has been published in the Official Gazette issued on 8/1/81.

Primary Examiner—Nelson C. Holtje
Attorney, Agent, or Firm—Finnegan, Henderson, Farabow, Garrett & Dunner

[57] **CLAIM**

The ornamental design for a sorter for use with a copying machine, substantially as shown and described.

DESCRIPTION

FIG. 1 is a perspective view of a sorter for use with a copying machine showing our new design; FIG. 2 is a front elevational view thereof; FIG. 3 is a rear elevational view thereof; FIG. 4 is a left side elevational view thereof; FIG. 5 is a right side elevational view thereof; FIG. 6 is a top plan view thereof; and FIG. 7 is a bottom plan view thereof.

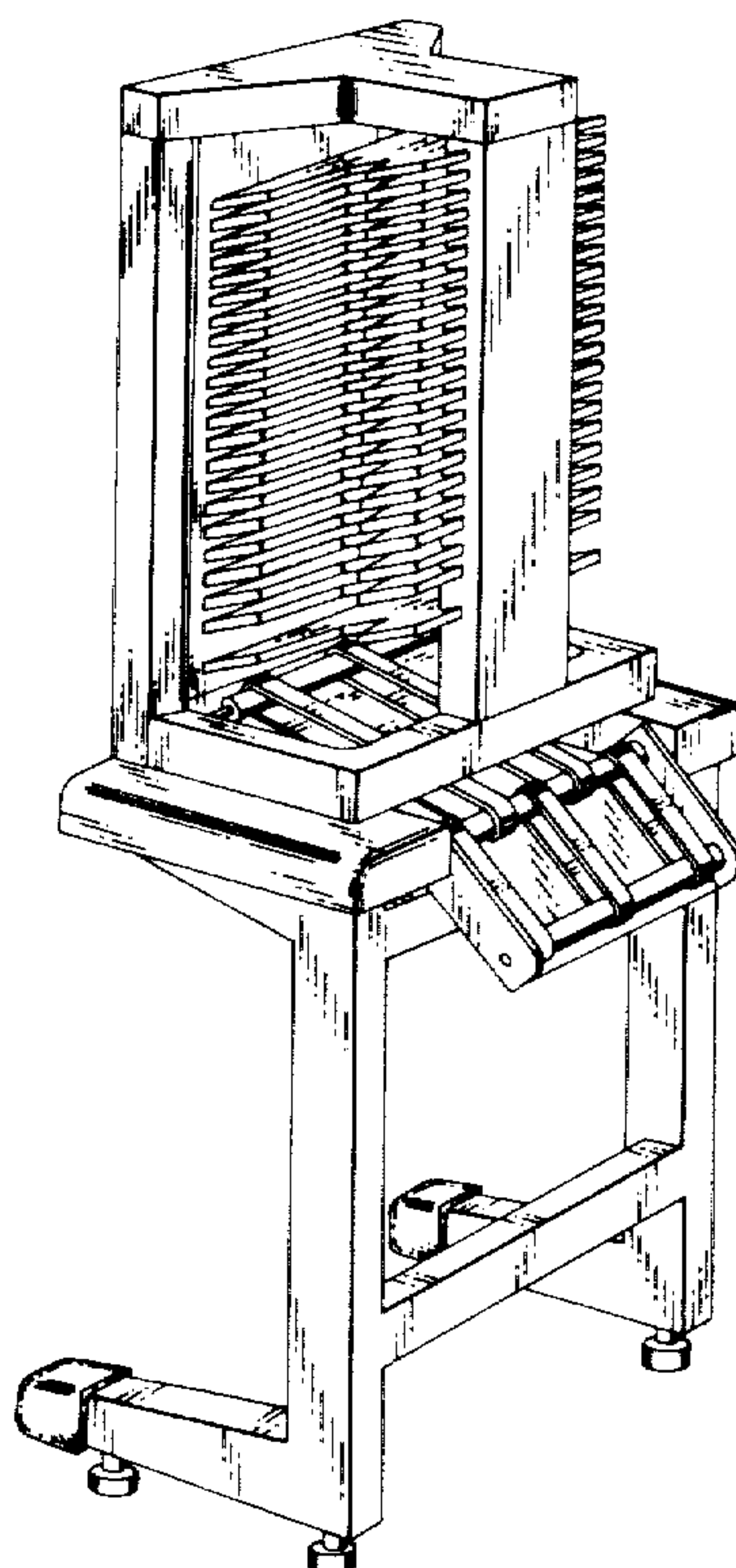


FIG. 3

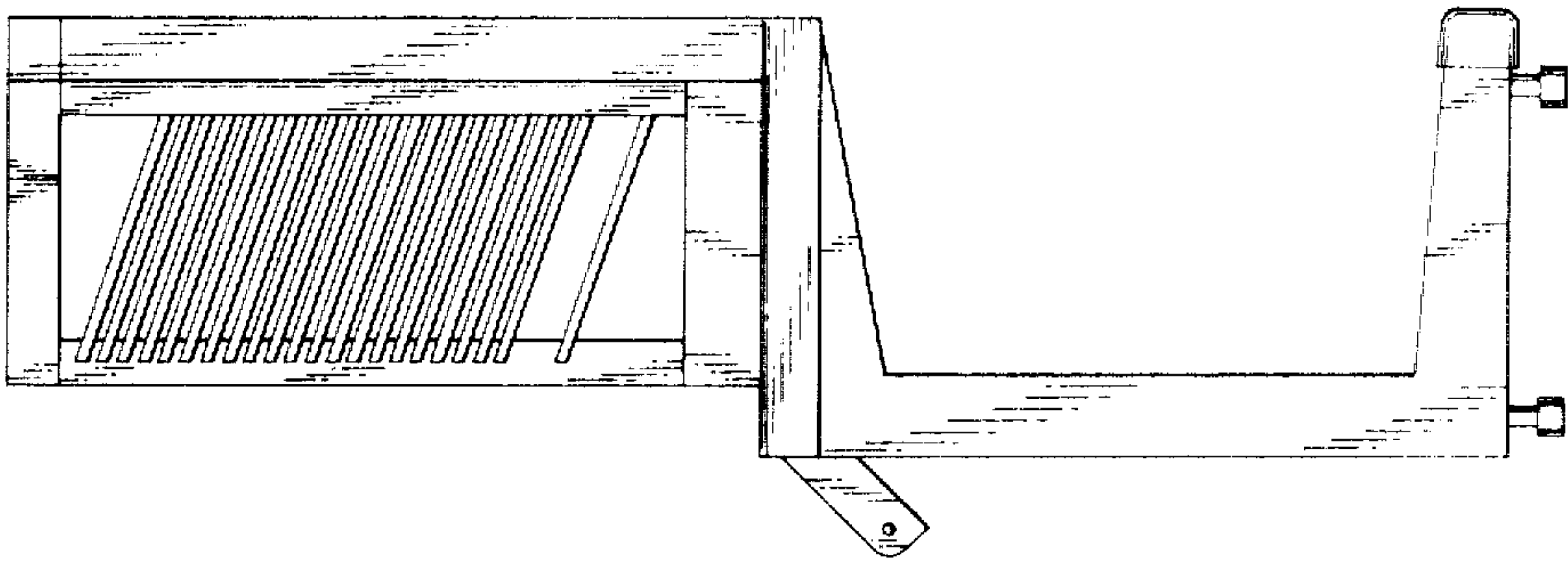


FIG. 2

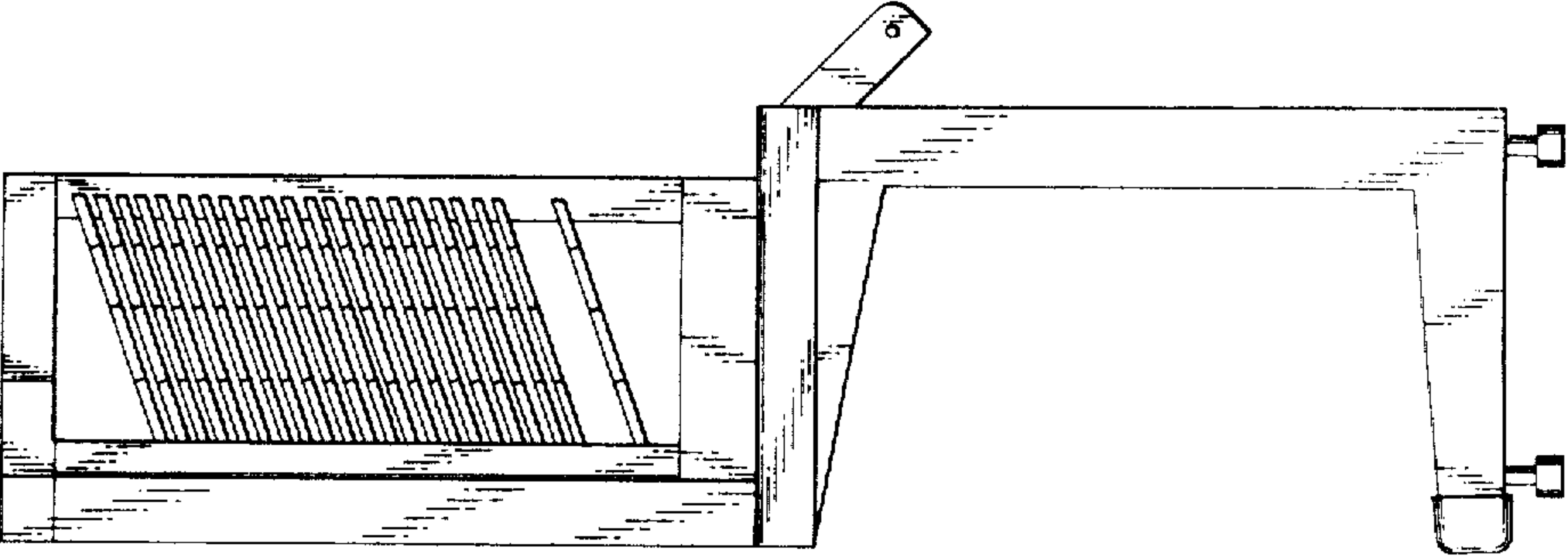


FIG. 1

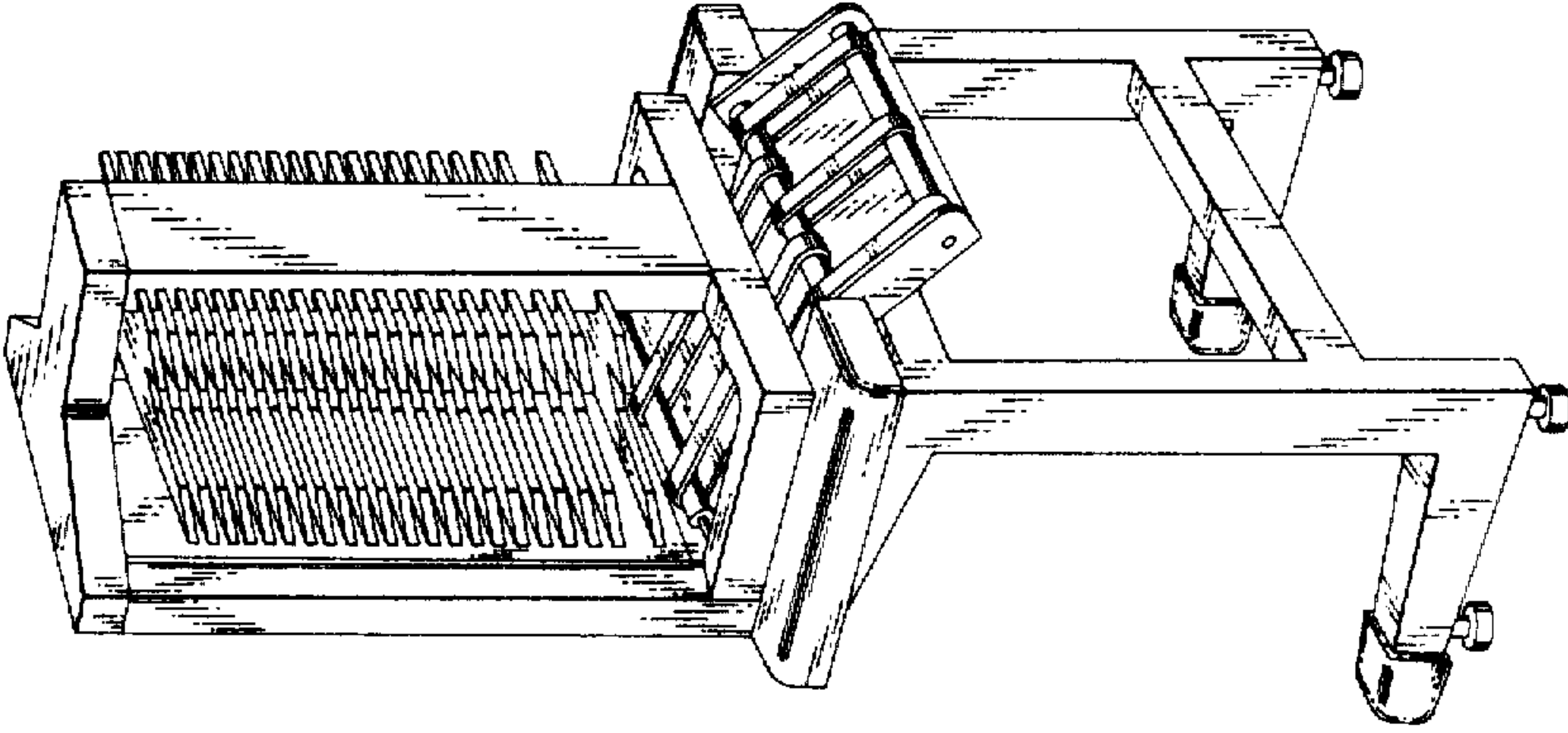


FIG. 6

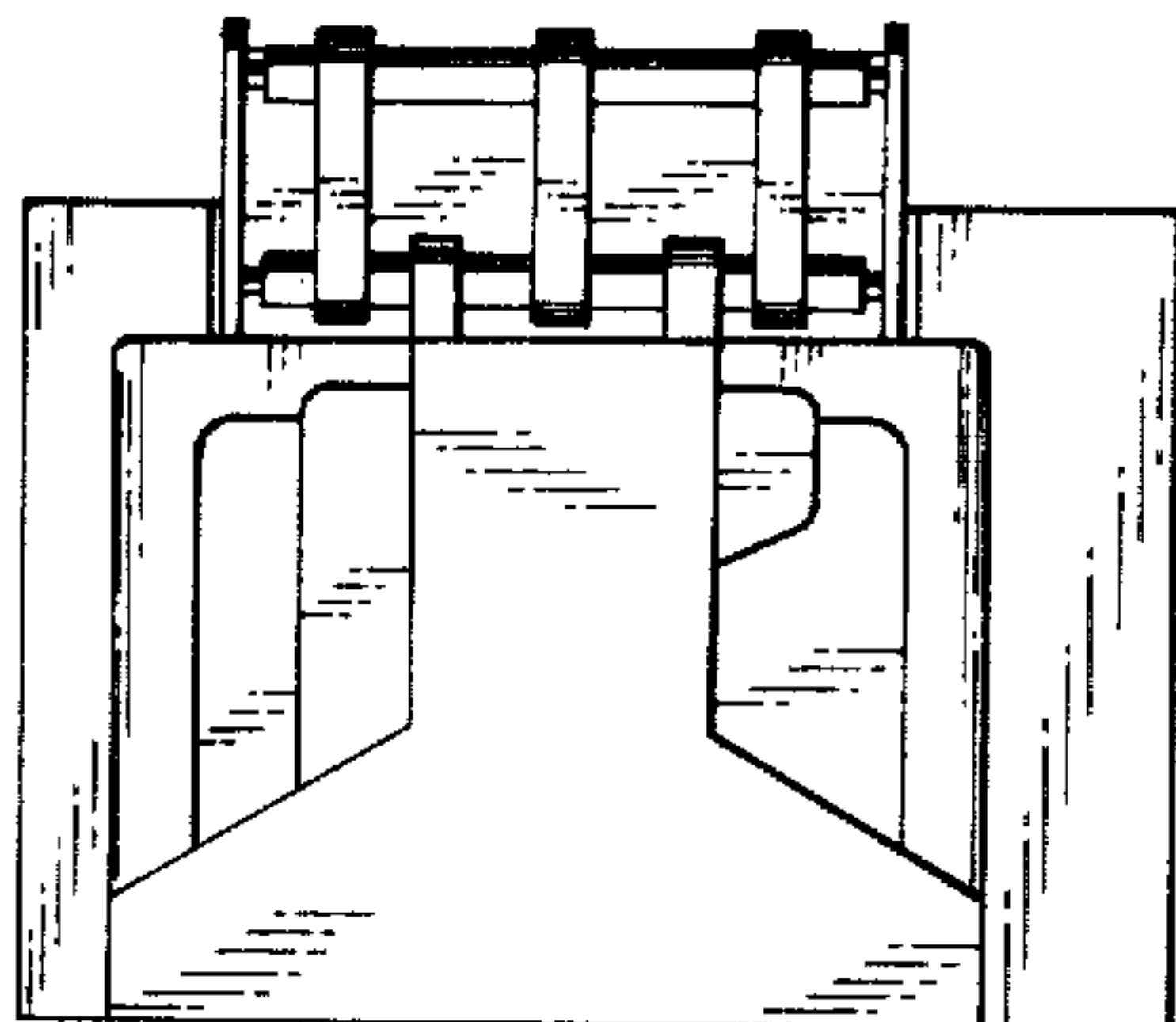


FIG. 7

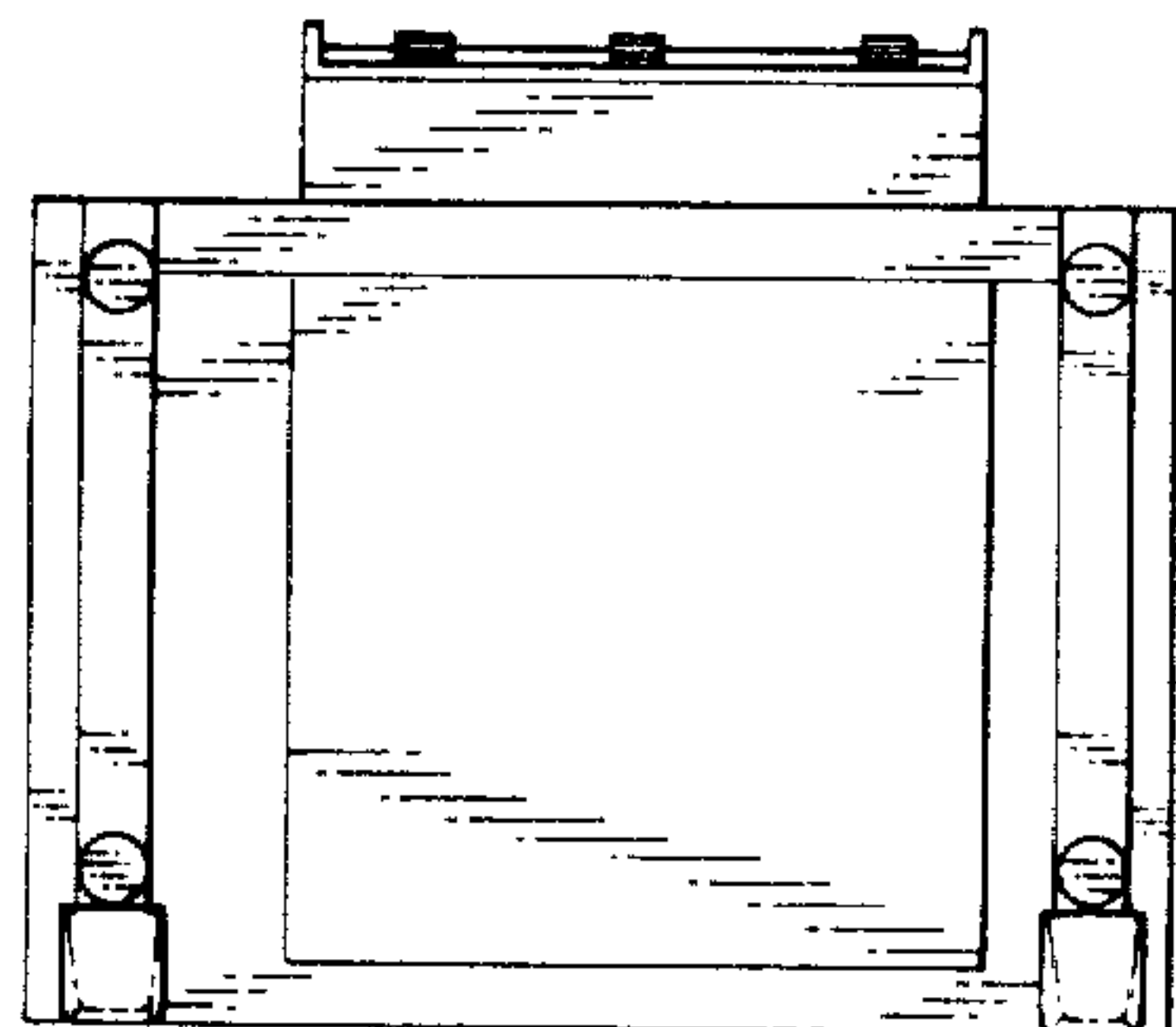


FIG. 5

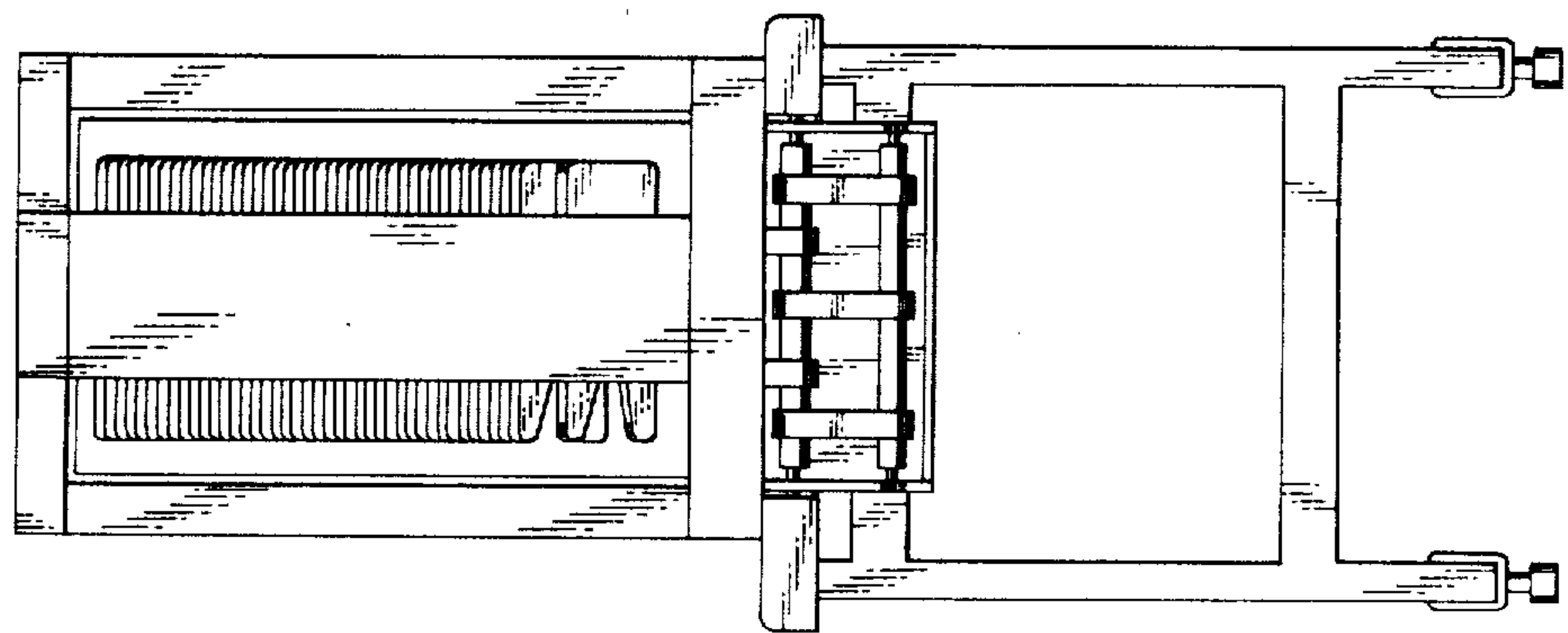


FIG. 4

