

[54] TAPE FOLDER

[75] Inventors: Daniel A. Norris, Dallas; Frank L. Sweet, Carrollton, both of Ga.

[73] Assignee: Southwire Company, Carrollton, Ga.

[**] Term: 14 Years

[21] Appl. No.: 139,928

[22] Filed: Apr. 14, 1980

[51] Int. Cl. D15-99

[52] U.S. Cl. D15/145; D15/199

[58] Field of Search D15/136, 122, 199, 145; 156/47, 49

[56] References Cited

U.S. PATENT DOCUMENTS

D. 230,504	2/1974	Gentry	D15/136
3,574,015	4/1971	Blee	156/47
3,685,147	8/1972	Nevin	156/47
3,737,997	6/1973	Davis	156/49

Primary Examiner—B. J. Bullock

Attorney, Agent, or Firm—Herbert M. Hanegan; Stanley L. Tate; R. Steven Linne

[57] CLAIM

The ornamental design for a tape folder, substantially as shown and described.

DESCRIPTION

FIG. 1 is a side elevational view of the tape folder showing our new design;

FIG. 2 is a top plan view thereof;

FIG. 3 is a bottom plan view thereof;

FIG. 4 is an end elevational view taken from the right of FIG. 1;

FIG. 5 is an end elevational view taken from the left of FIG. 1;

FIG. 6 is a sectional view taken in the direction of the arrows on line 6-6 of FIG. 1;

FIG. 7 is an elevation view of the interior taken in the direction of the arrows on line 7-7 of FIG. 2; and

FIG. 8 is an exploded perspective view thereof.

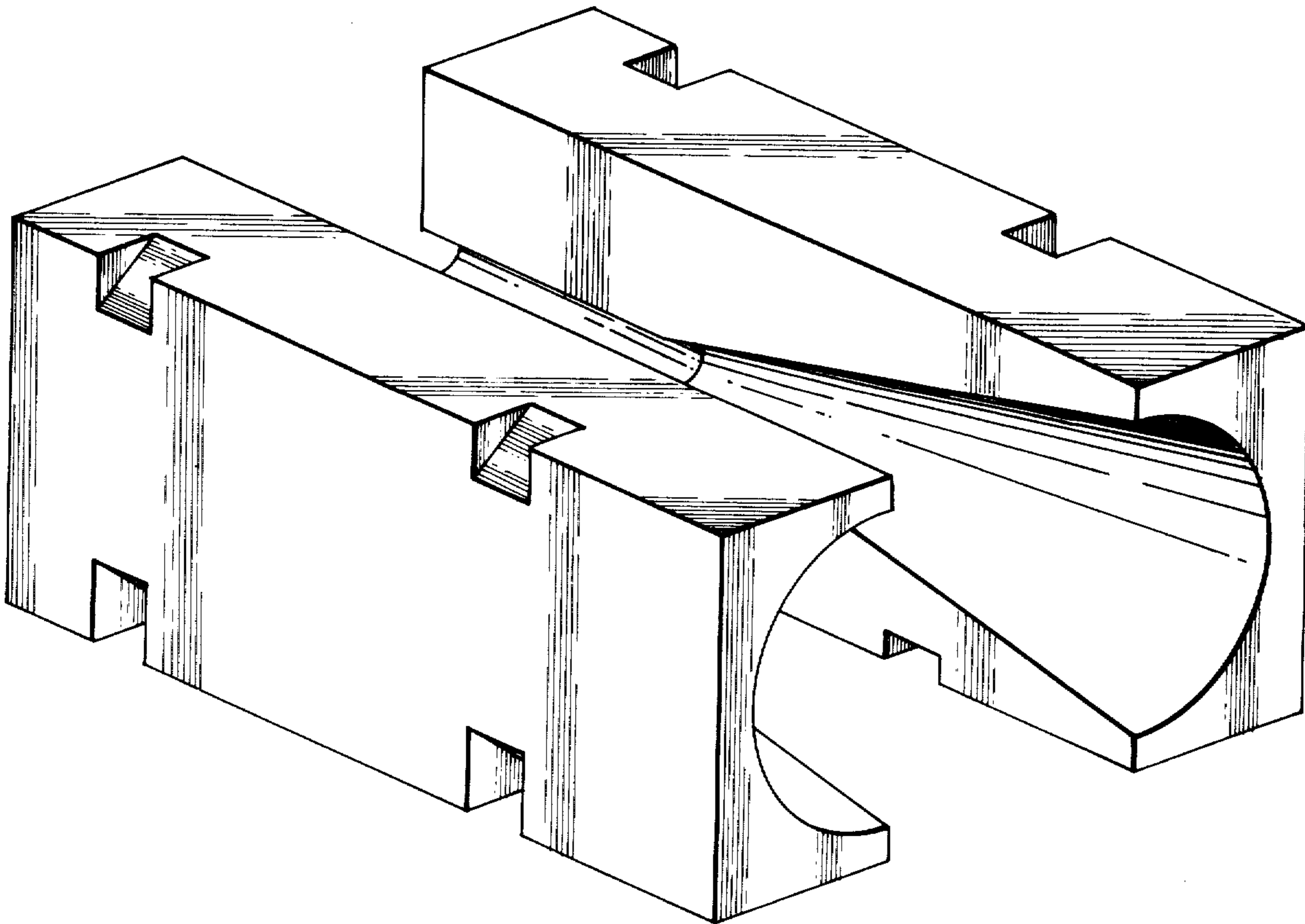


FIG. 1

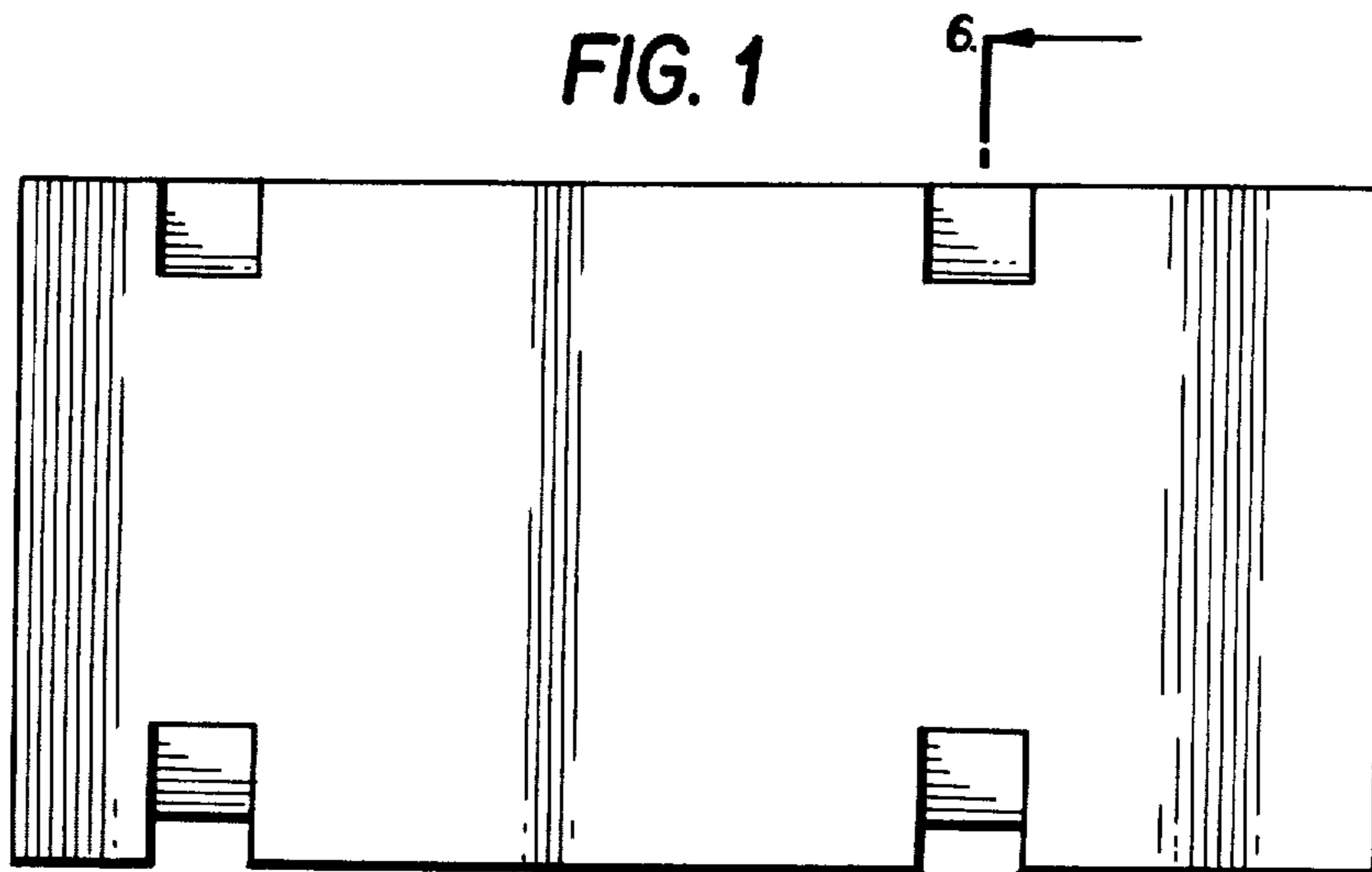


FIG. 2

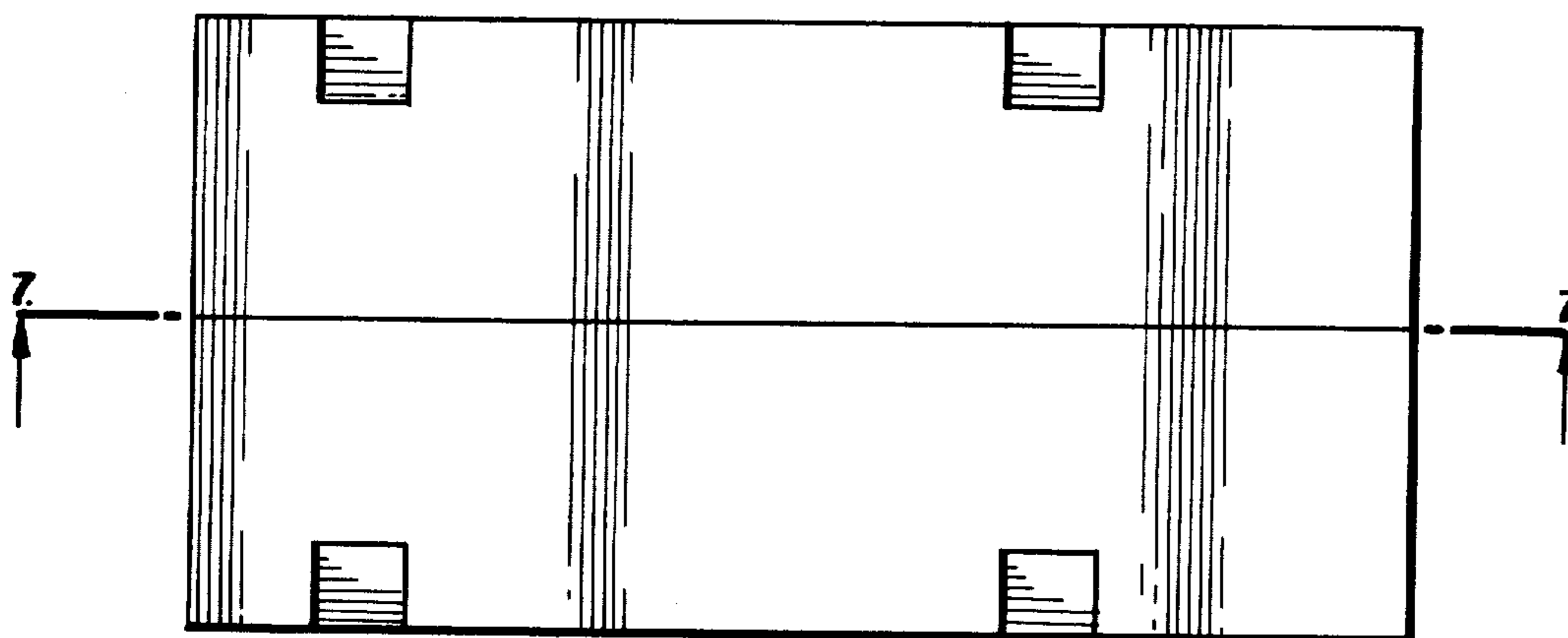


FIG. 3

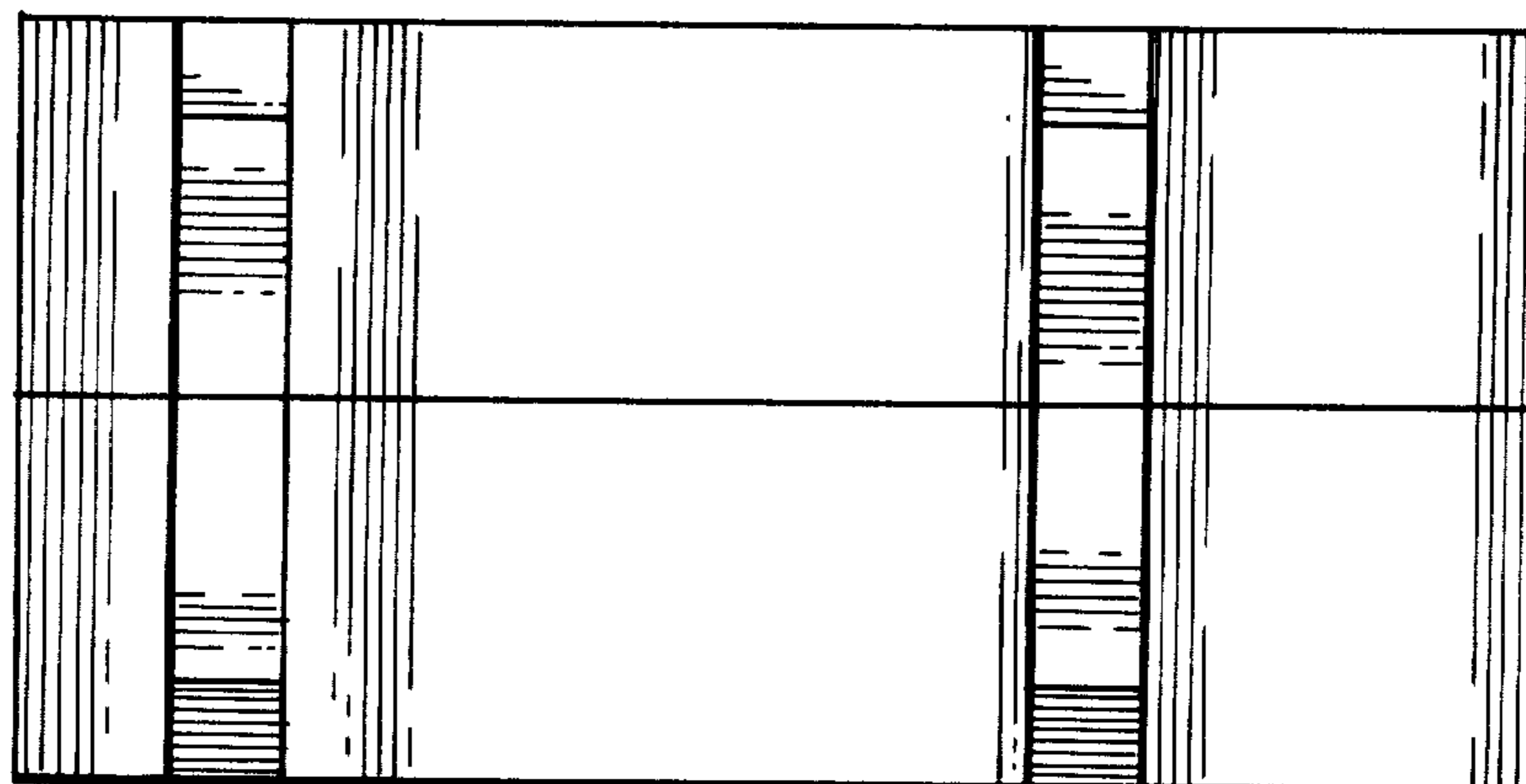


FIG. 4

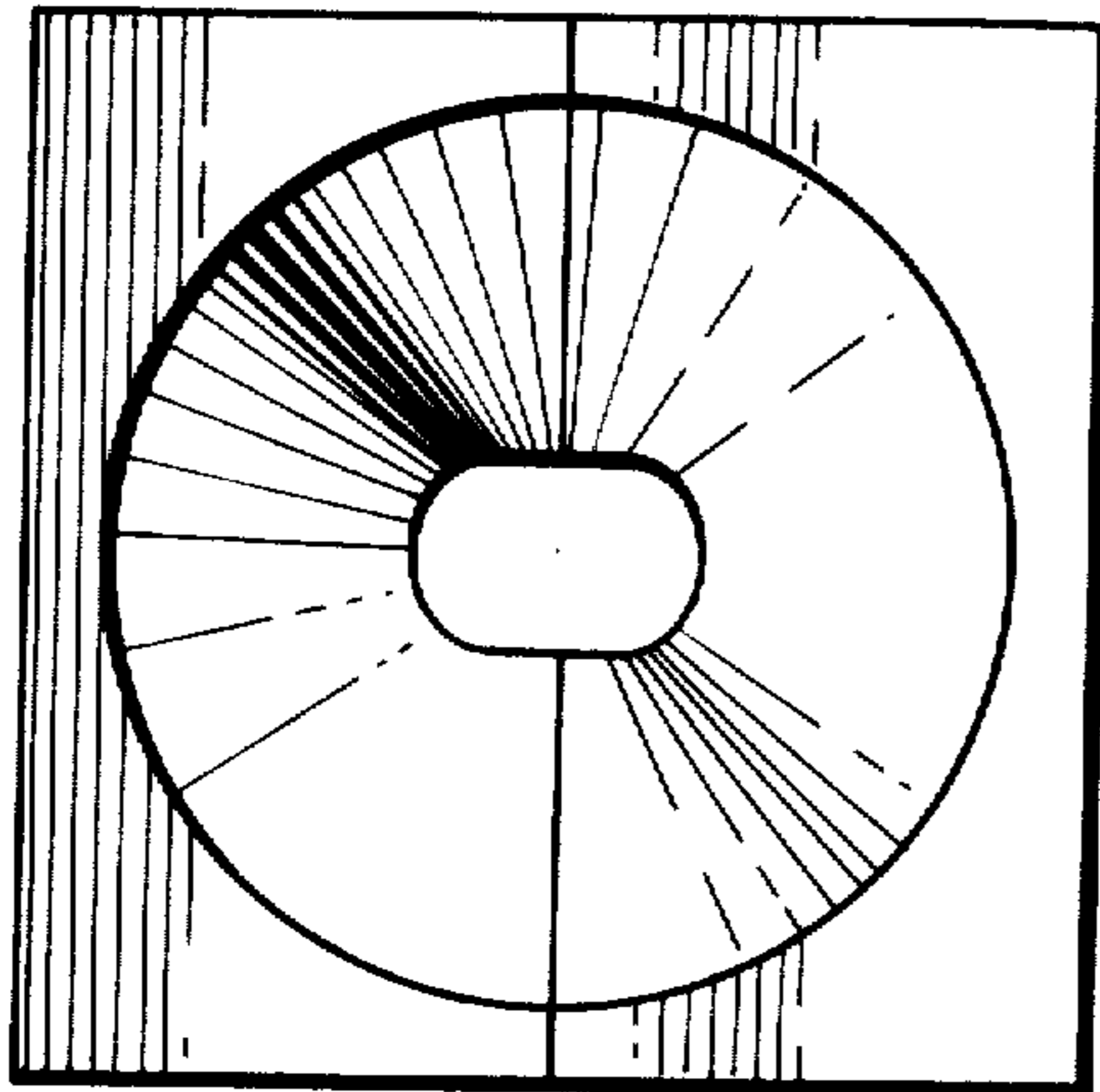


FIG. 5

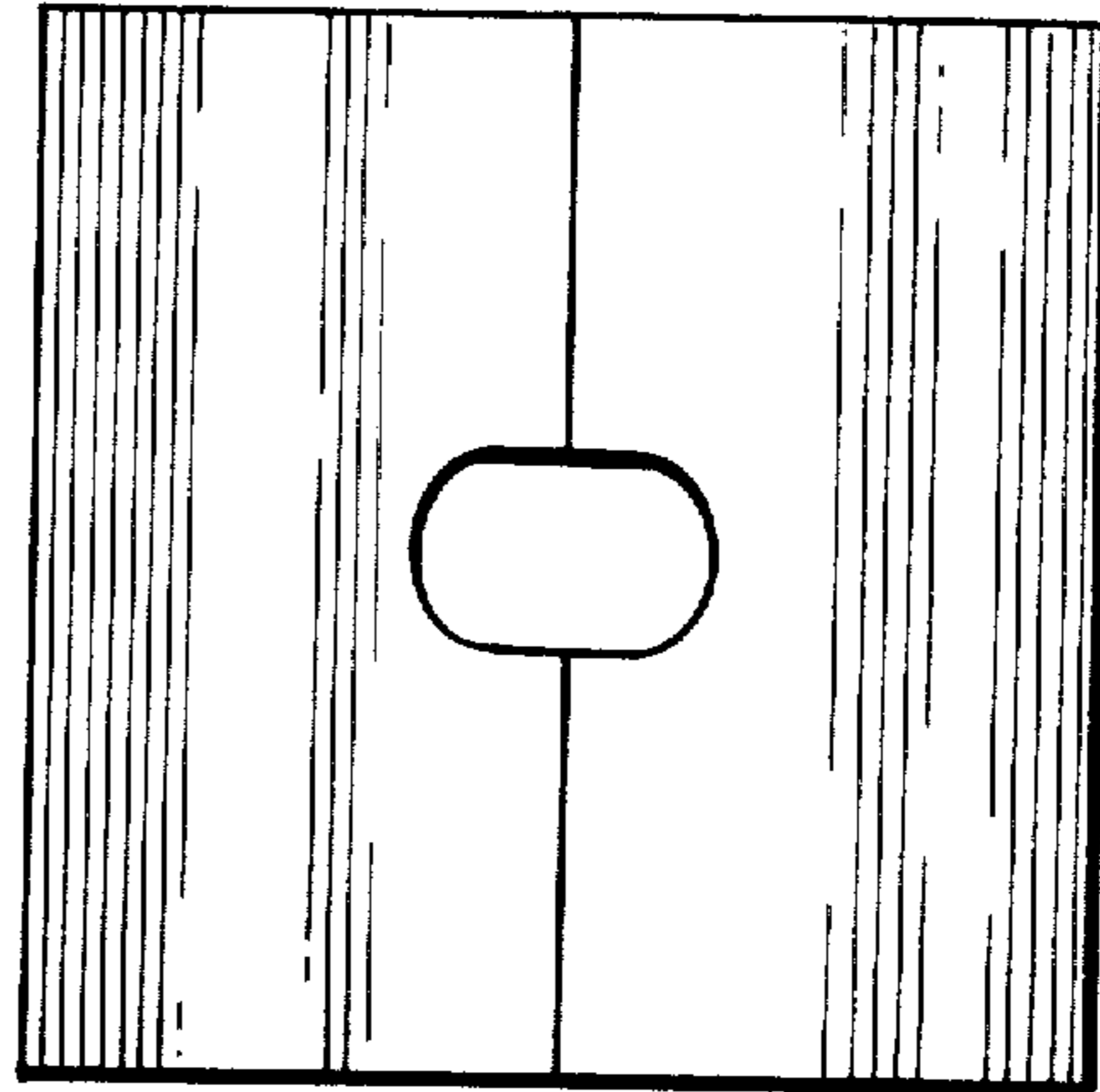


FIG. 6

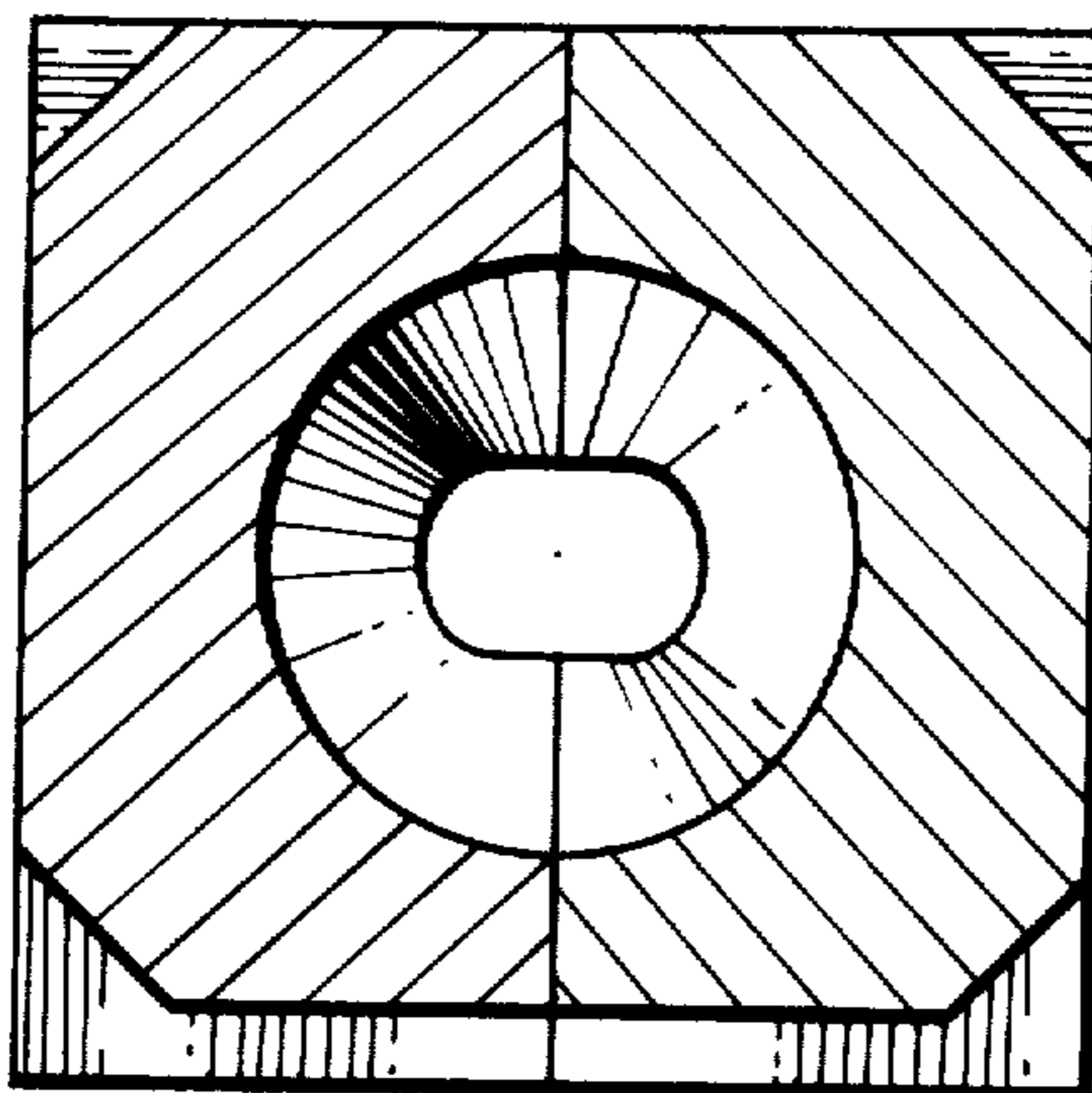
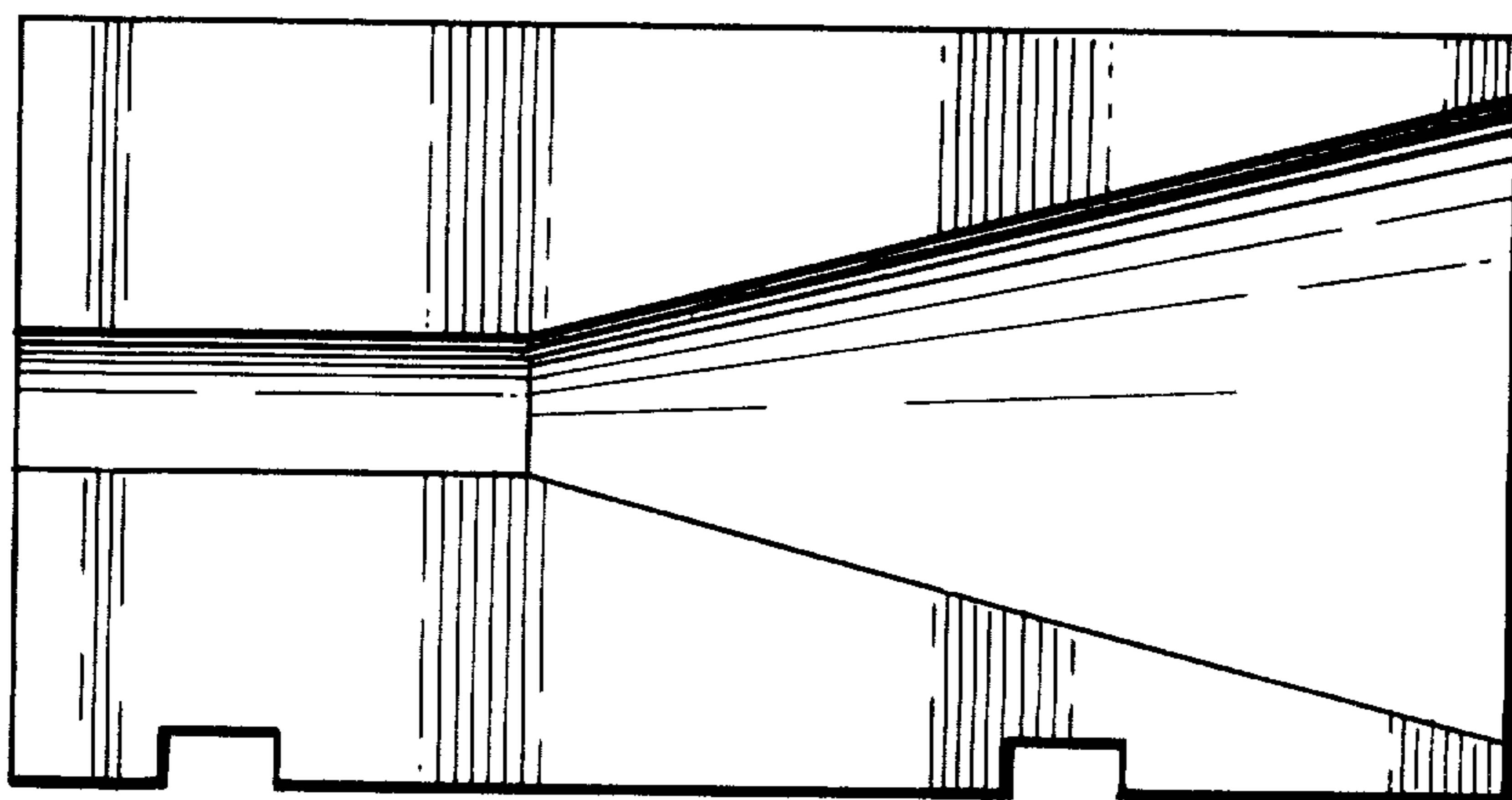


FIG. 7



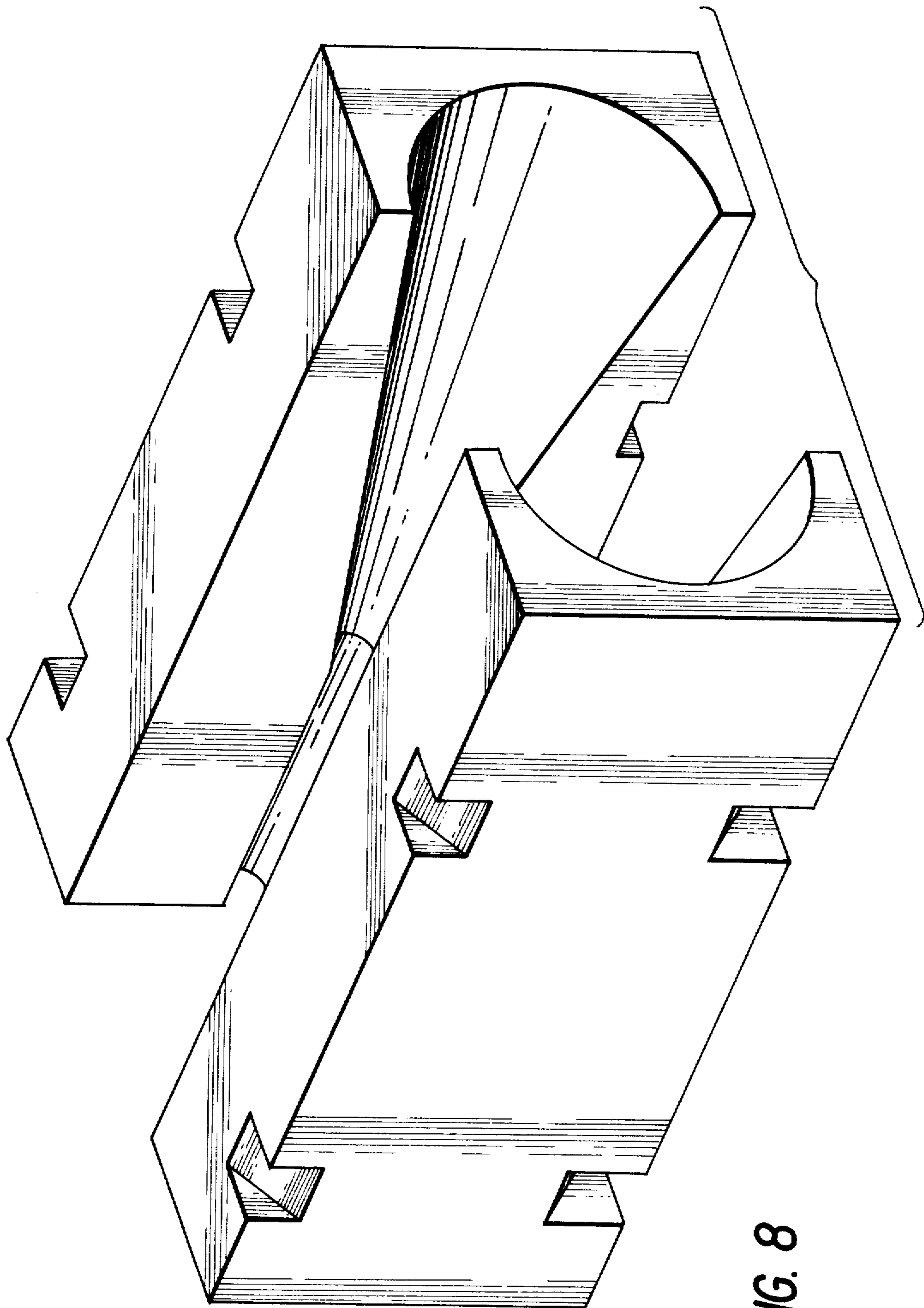


FIG. 8