

[54] MATERIAL MACHINING DEVICE ENCLOSURE

[75] Inventor: Simon L. Engel, Sunnyvale, Calif.

[73] Assignee: HDE Systems, Inc., Sunnyvale, Calif.

[**] Term: 14 Years

[21] Appl. No.: 67,877

[22] Filed: Aug. 20, 1979

[51] Int. Cl. D15-09

[52] U.S. Cl. D15/122

[58] Field of Search D15/122, 127, 129; 331/DIG. 1; 219/121 L, 121 LM, 121 LG, 121 LH, 121 LJ, 121 LC, 121 LD

[56] References Cited

U.S. PATENT DOCUMENTS

4,046,986 9/1977 Barker 219/121 L
4,141,456 2/1979 Hart 219/121 LH

Primary Examiner—Peter M. Caun

Attorney, Agent, or Firm—C. Michael Zimmerman

[57] CLAIM

The ornamental design for a material machining device enclosure, as shown and described.

DESCRIPTION

FIG. 1 is a perspective view showing a first preferred

embodiment of my design for a material machining device enclosure;

FIG. 2 is a front elevation view of the embodiment of FIG. 1;

FIG. 3 is an end elevation view of the embodiment of FIG. 1, it being understood that the end opposite that shown is the same;

FIG. 4 is a top plan view of the embodiment of FIG. 1; FIG. 5 is a bottom plan view of the embodiment of FIG. 1;

FIG. 6 is a rear elevation view of the embodiment of FIG. 1;

FIG. 7 is a front elevation view of a second preferred embodiment of my design for a material machining device enclosure, it being understood that all other views of such design are the same as the corresponding views of my first preferred embodiment shown in FIGS. 1-6;

FIG. 8 is a front elevation view of a third preferred embodiment of my design for a material machining device enclosure;

FIG. 9 is a top plan view of the third preferred embodiment of my design;

FIG. 10 is a rear elevation view of the third preferred embodiment of my design; and

FIG. 11 is a bottom plan view of the third preferred embodiment of my design, it being understood that both end elevation views of such embodiment are the same as the end elevation view depicted in FIG. 3 for the first preferred embodiment of my design.

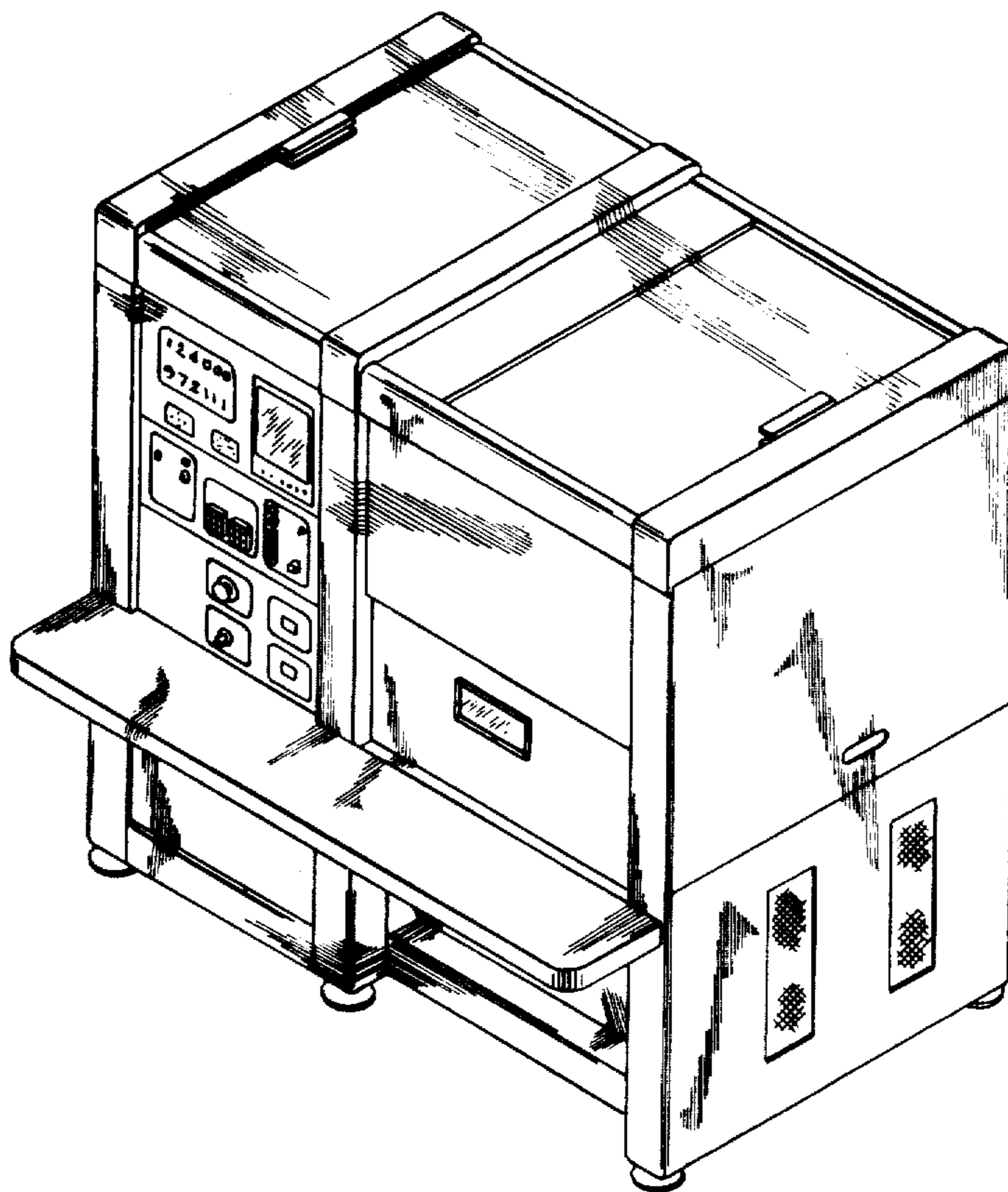


FIG. 1

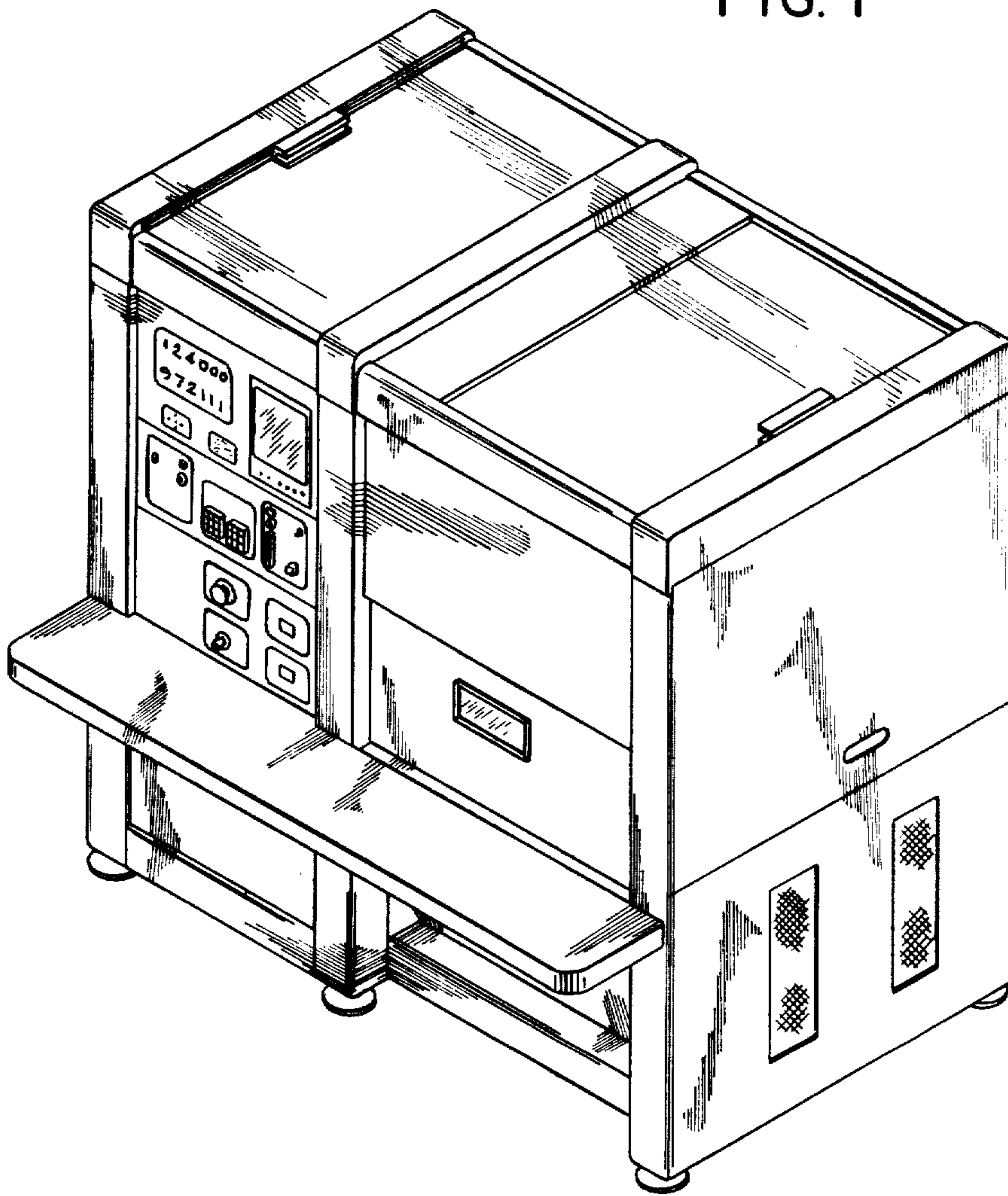


FIG. 2

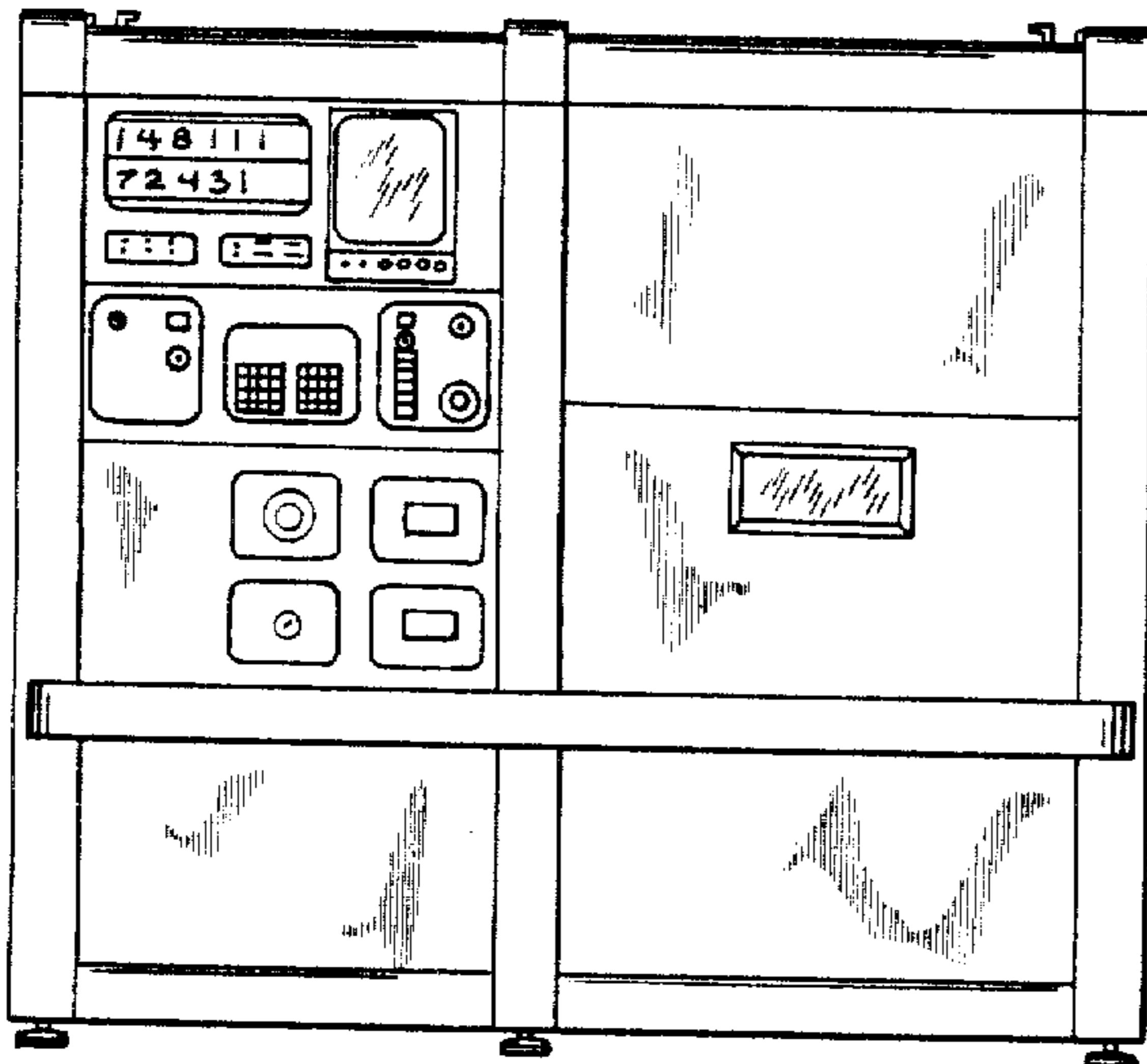


FIG. 3

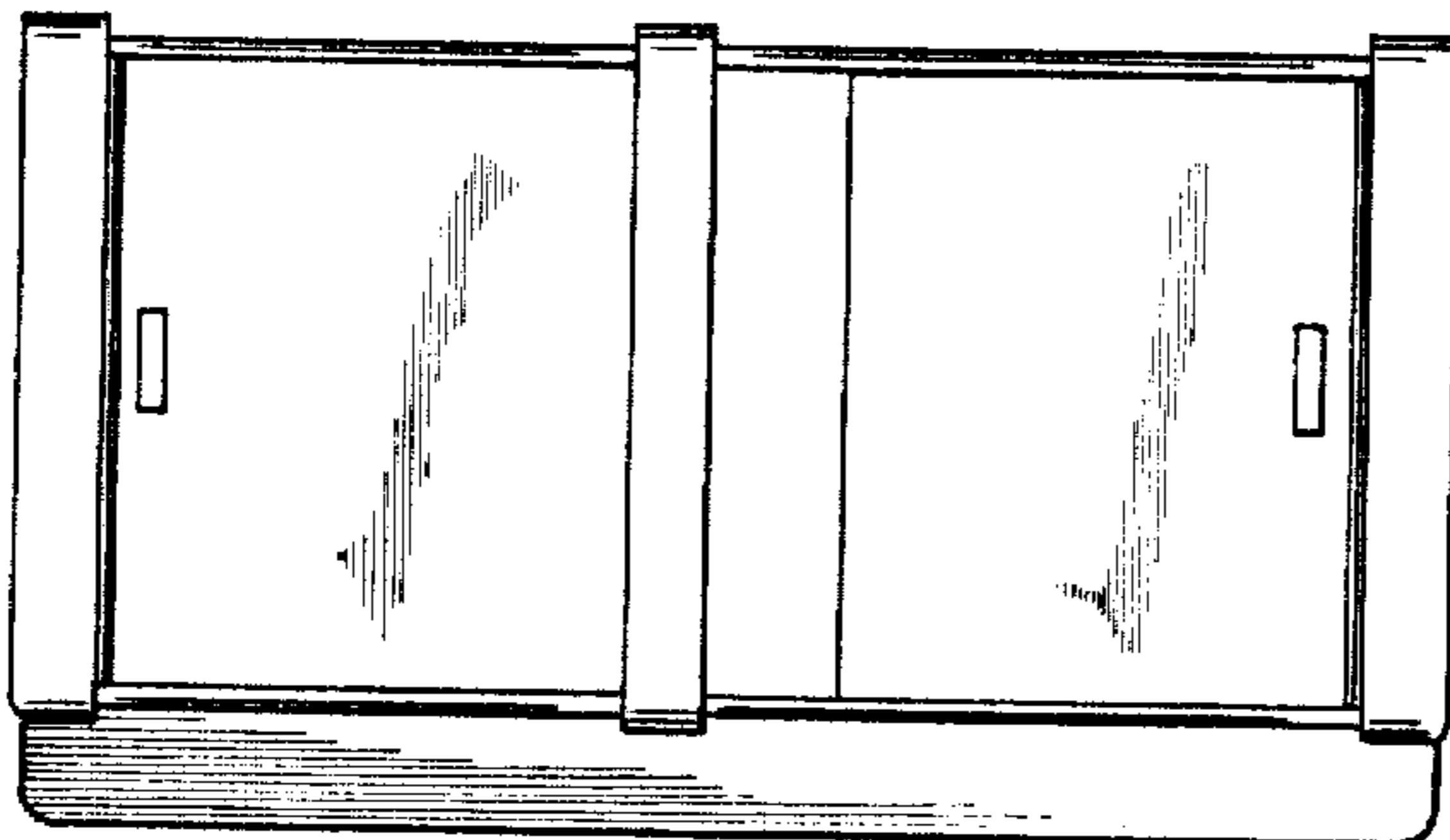
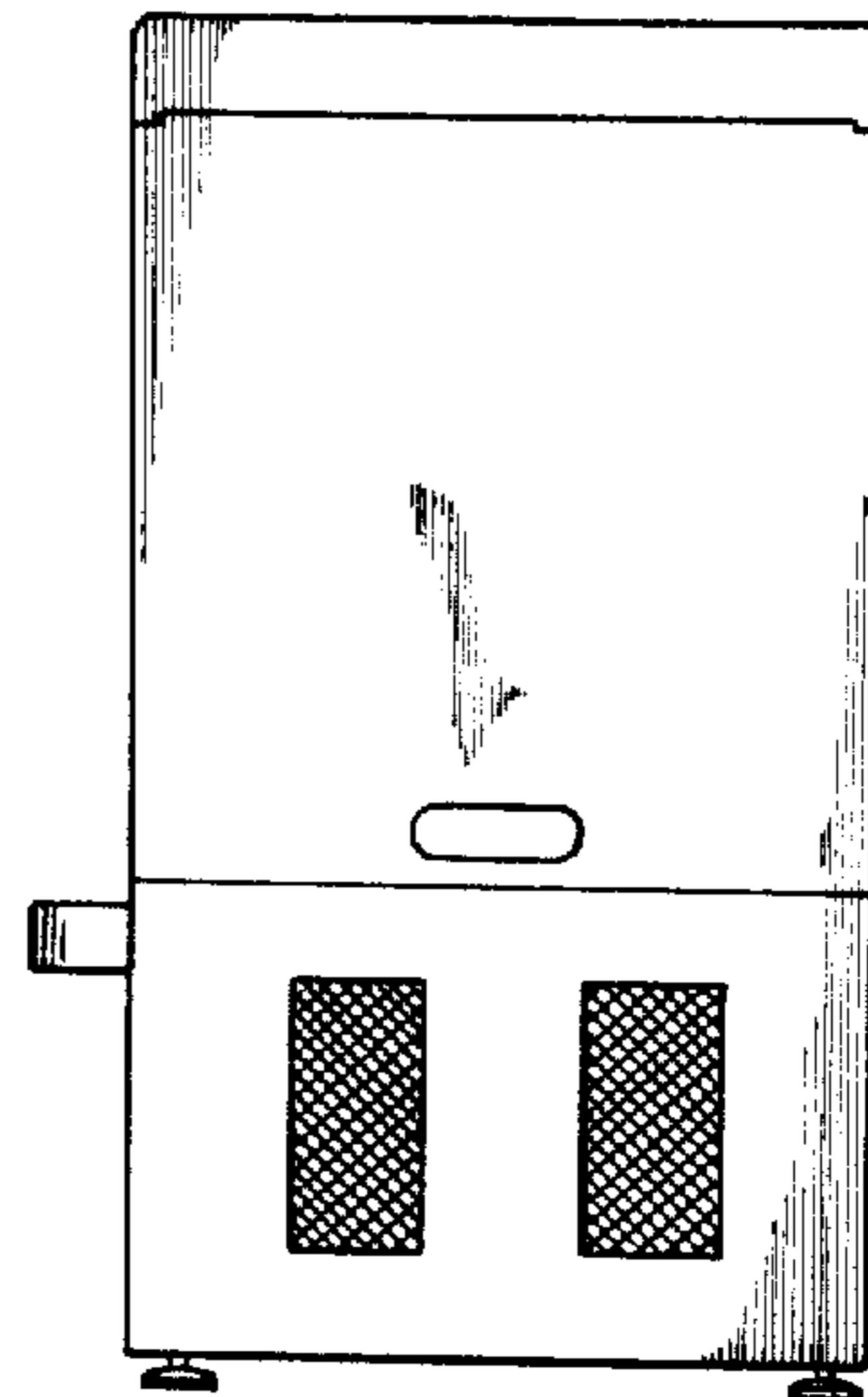


FIG. 4

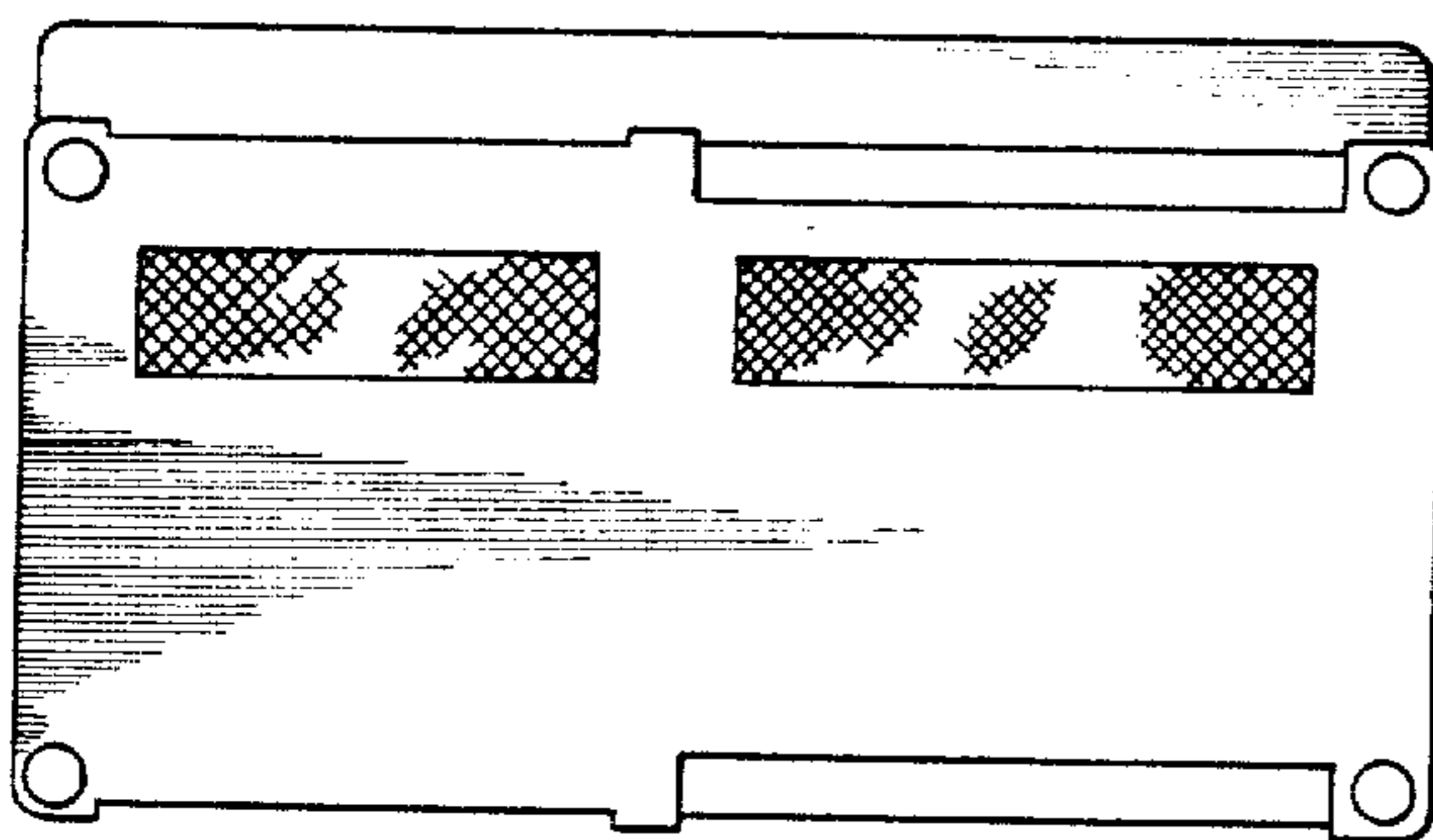


FIG. 5

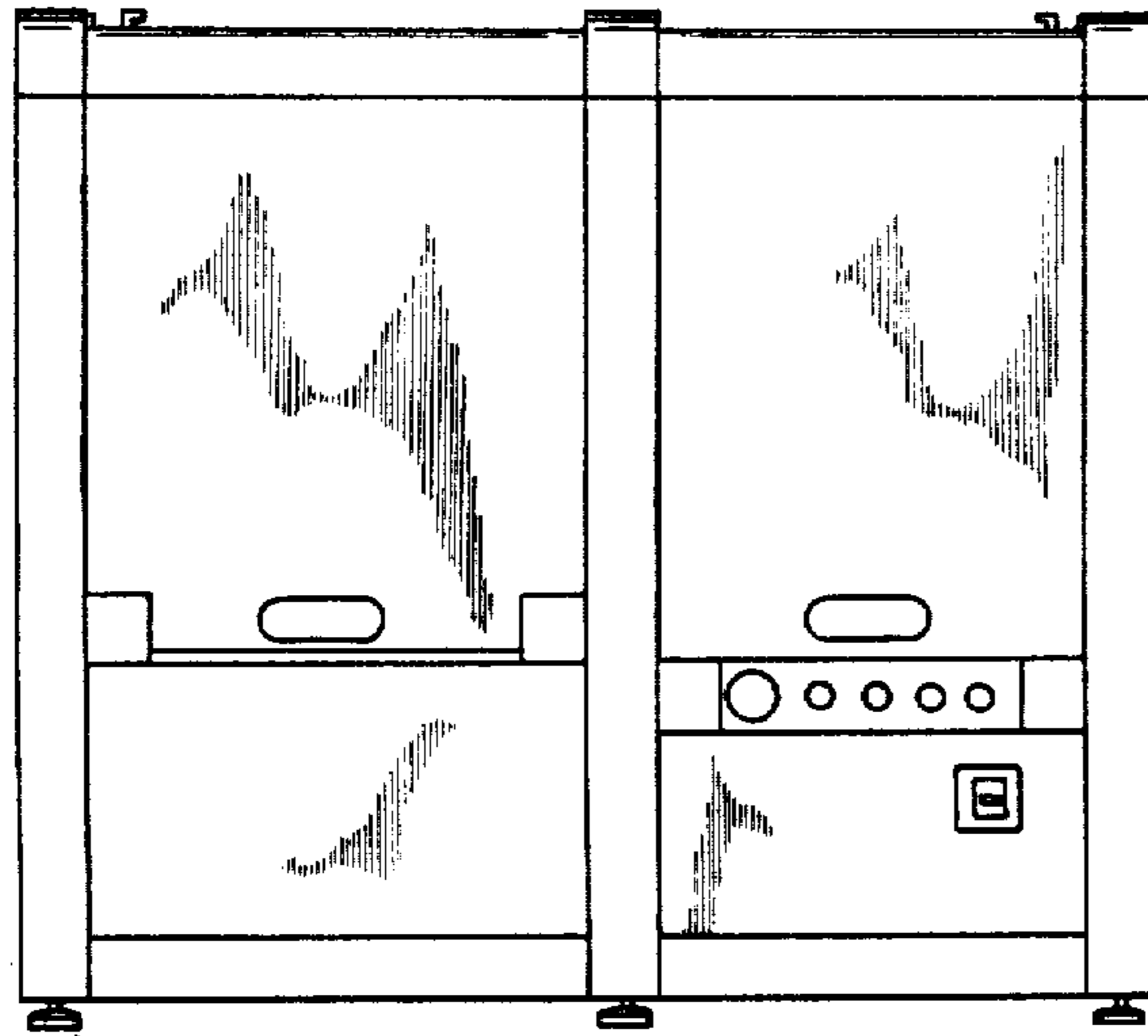


FIG. 6

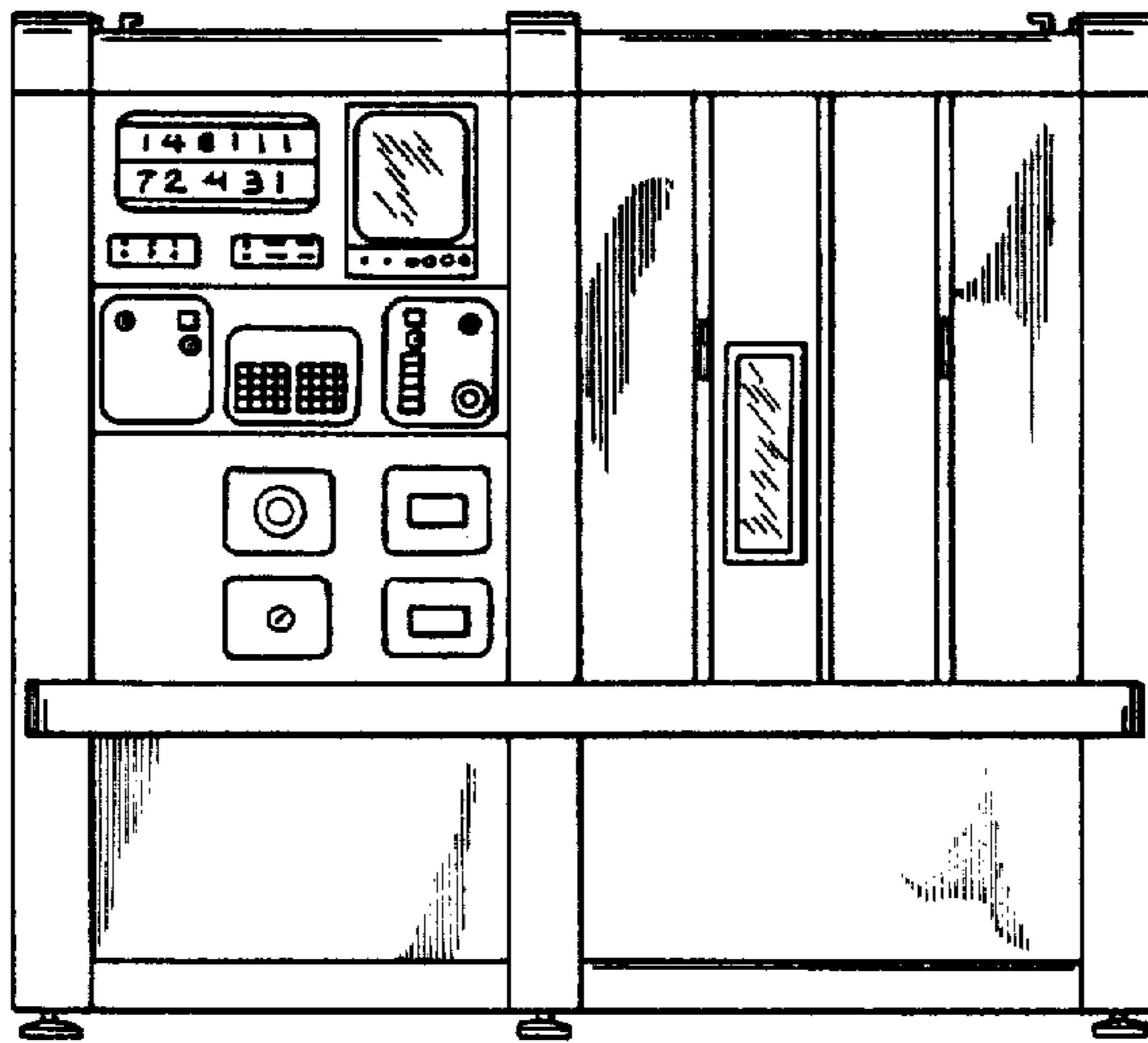


FIG. 7

FIG. 10

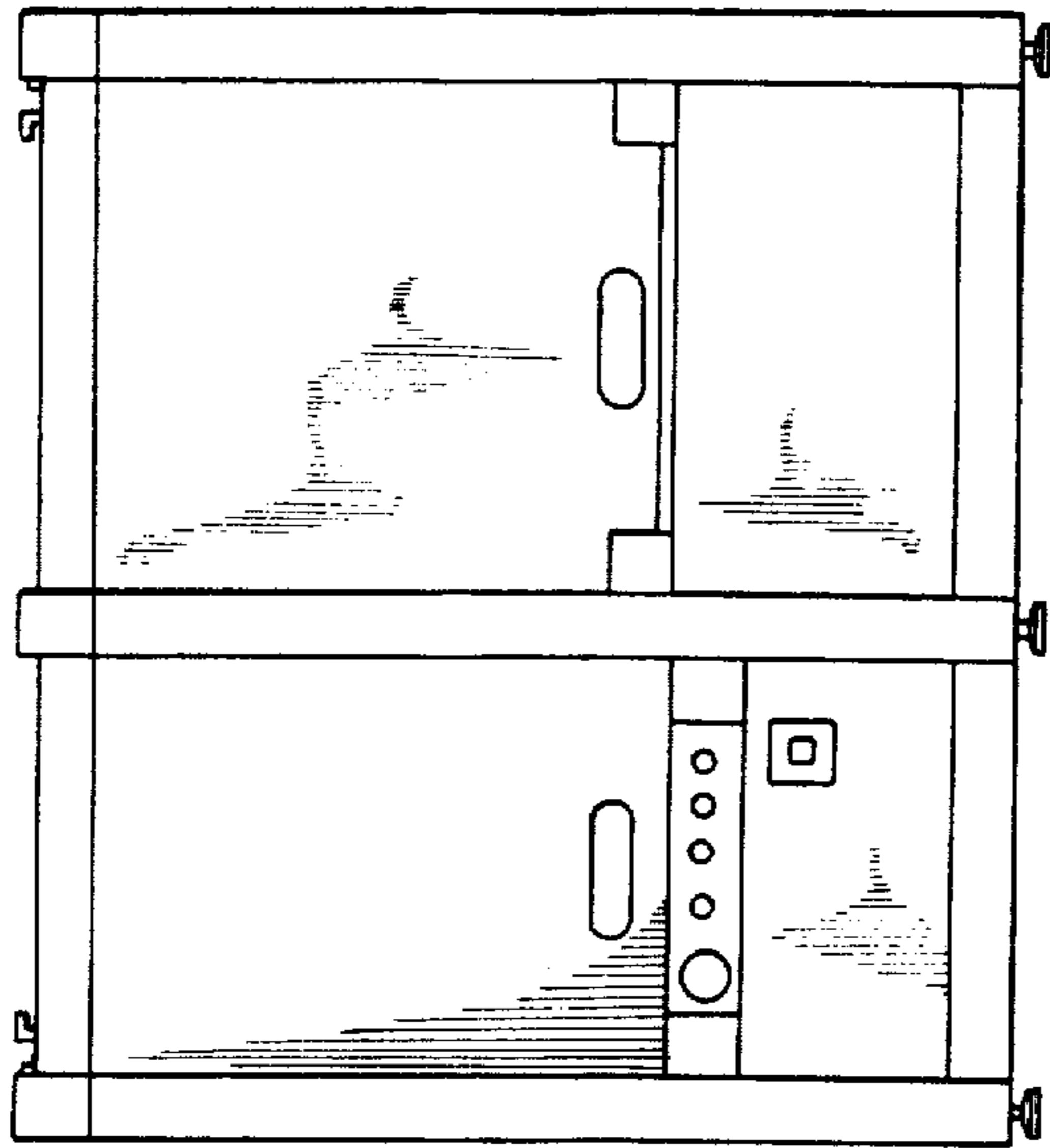


FIG. 11

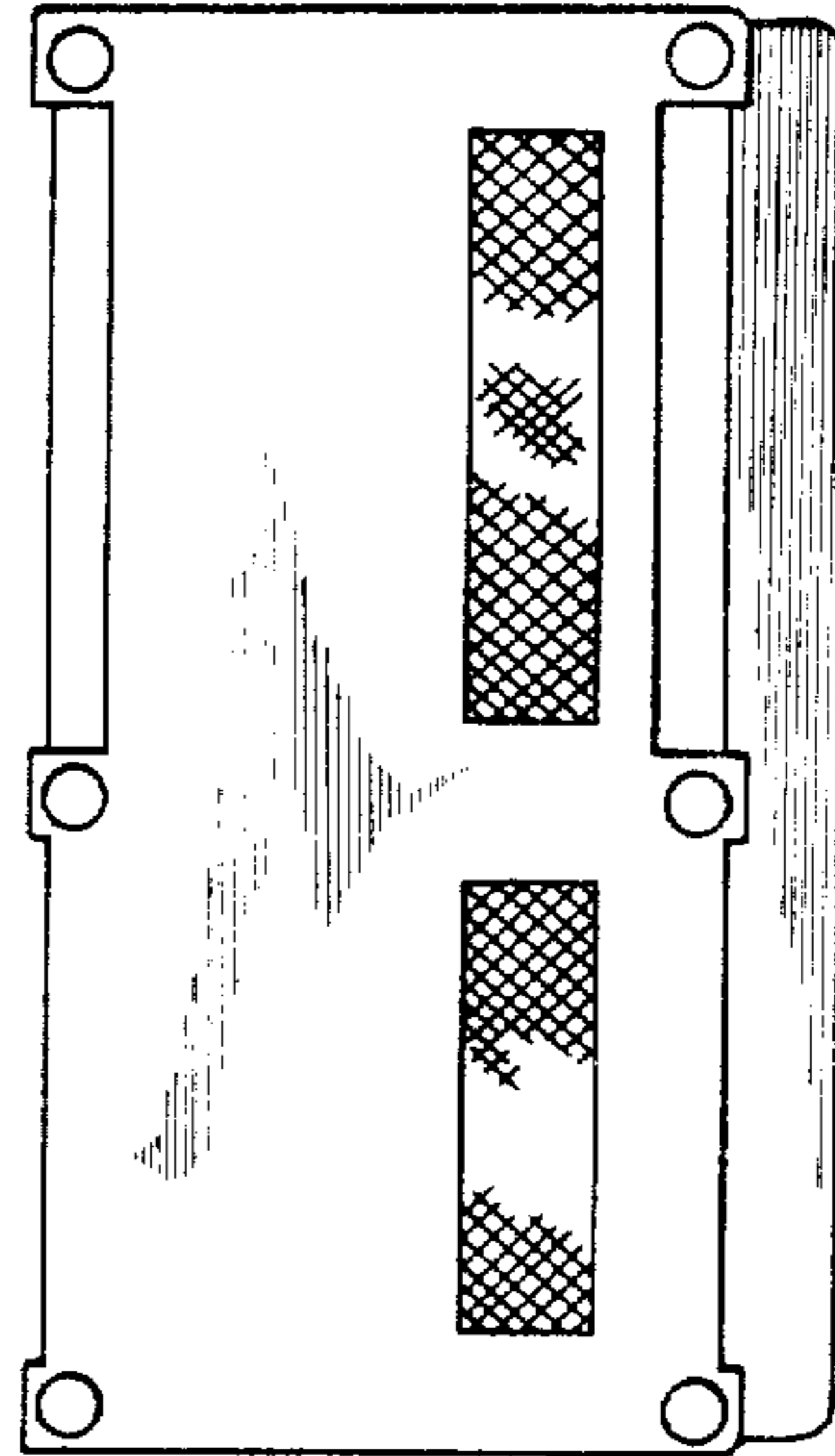


FIG. 8

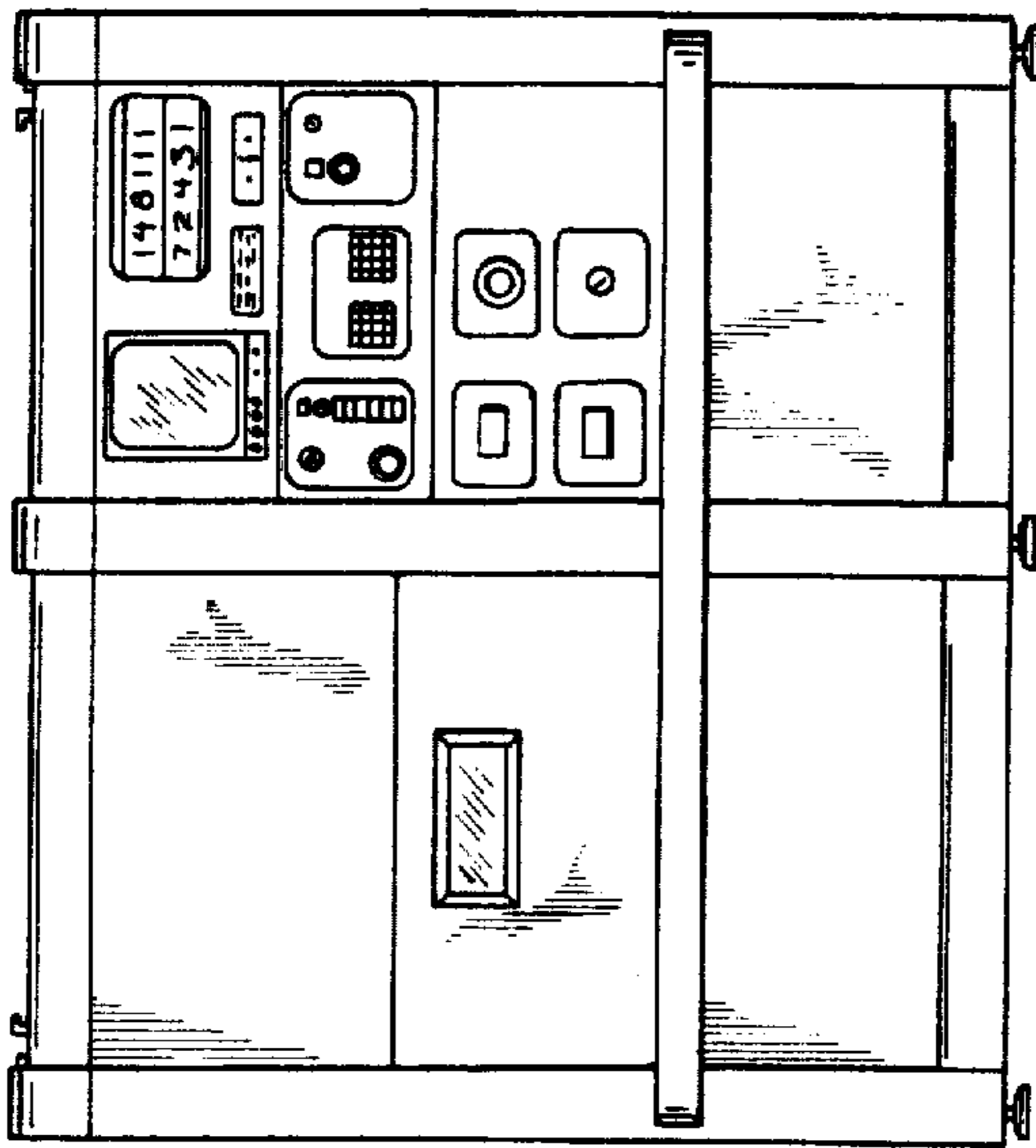


FIG. 9

