

- [54] **COMBINED SEWING MACHINE AND WORK SUPPORT EXTENSION**
- [75] Inventors: **Donald M. Genaro**, Haworth, N.J.;
Cristian J. Felix, Flushing, N.Y.
- [73] Assignee: **The Singer Company**, Stamford, Conn.
- [**] Term: **14 Years**
- [21] Appl. No.: **84,348**
- [22] Filed: **Oct. 12, 1979**
- [51] Int. Cl. **D15-06**
- [52] U.S. Cl. **D15/68**
- [58] Field of Search **D15/66, 68, 69, 70, D15/72, 74, 76, 78; 112/168, 258, 260, 259**

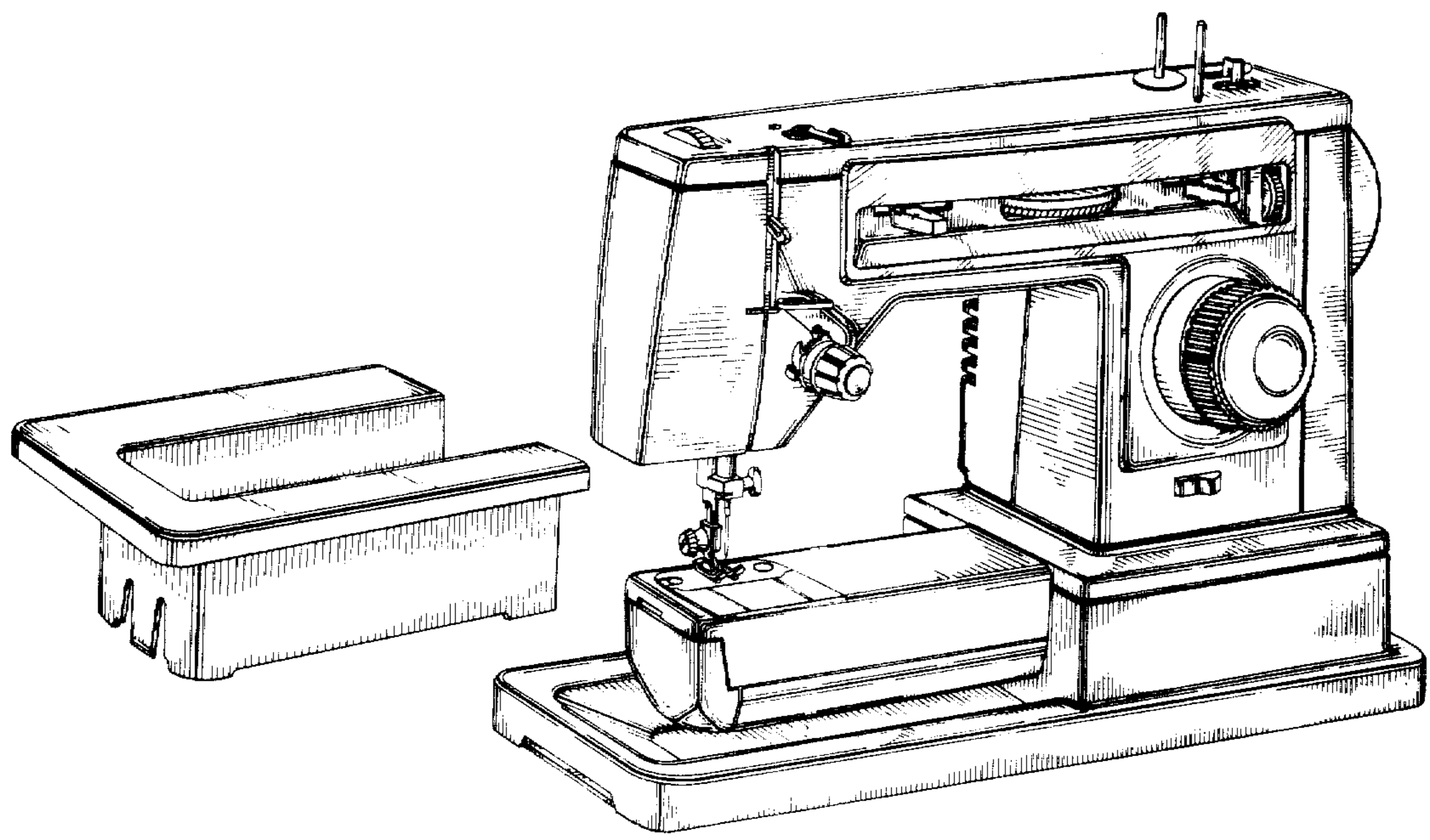
- [56] **References Cited**
- U.S. PATENT DOCUMENTS**
- D. 224,574 8/1972 Yamamoto D15/69
- D. 255,360 6/1980 Sibuya et al. D15/68
- 3,587,500 6/1971 Fresard 112/258
- 3,675,603 7/1972 Yamashita 112/168
- 3,822,659 7/1974 Maag 112/258
- 3,995,573 12/1976 Nishigami et al. 112/258
- 4,080,913 3/1978 Arendash et al. 112/258
- FOREIGN PATENT DOCUMENTS**
- 2219267 8/1974 France 112/259

Primary Examiner—Joel Stearman
Assistant Examiner—Carmen H. Vales

Attorney, Agent, or Firm—James M. Trygg; Robert E. Smith; Edward L. Bell

[57] **CLAIM**
The ornamental design for a combined sewing machine and work support extension, substantially as shown and described.

DESCRIPTION
FIG. 1 is a front perspective view of a combined sewing machine and work support extension, showing our new design, the work support extension removed for convenience of illustration;
FIG. 2 is a front perspective view of the work support extension, the sewing machine removed for convenience of illustration;
FIG. 3 is a top plan view thereof;
FIG. 4 is a front elevation view thereof;
FIG. 5 is a rear elevation view thereof;
FIG. 6 is a bottom plan view thereof;
FIG. 7 is a left elevation view thereof;
FIG. 8 is a right elevation view thereof;
FIG. 9 is similar to FIG. 3 with the work support extension removed;
FIG. 10 is similar to FIG. 4 with the work support extension removed;
FIG. 11 is similar to FIG. 5 with the work support extension removed;
FIG. 12 is similar to FIG. 6 with the work support extension removed;
FIG. 13 is similar to FIG. 7 with the work support extension removed;
FIG. 14 is similar to FIG. 8 with the work support extension removed.



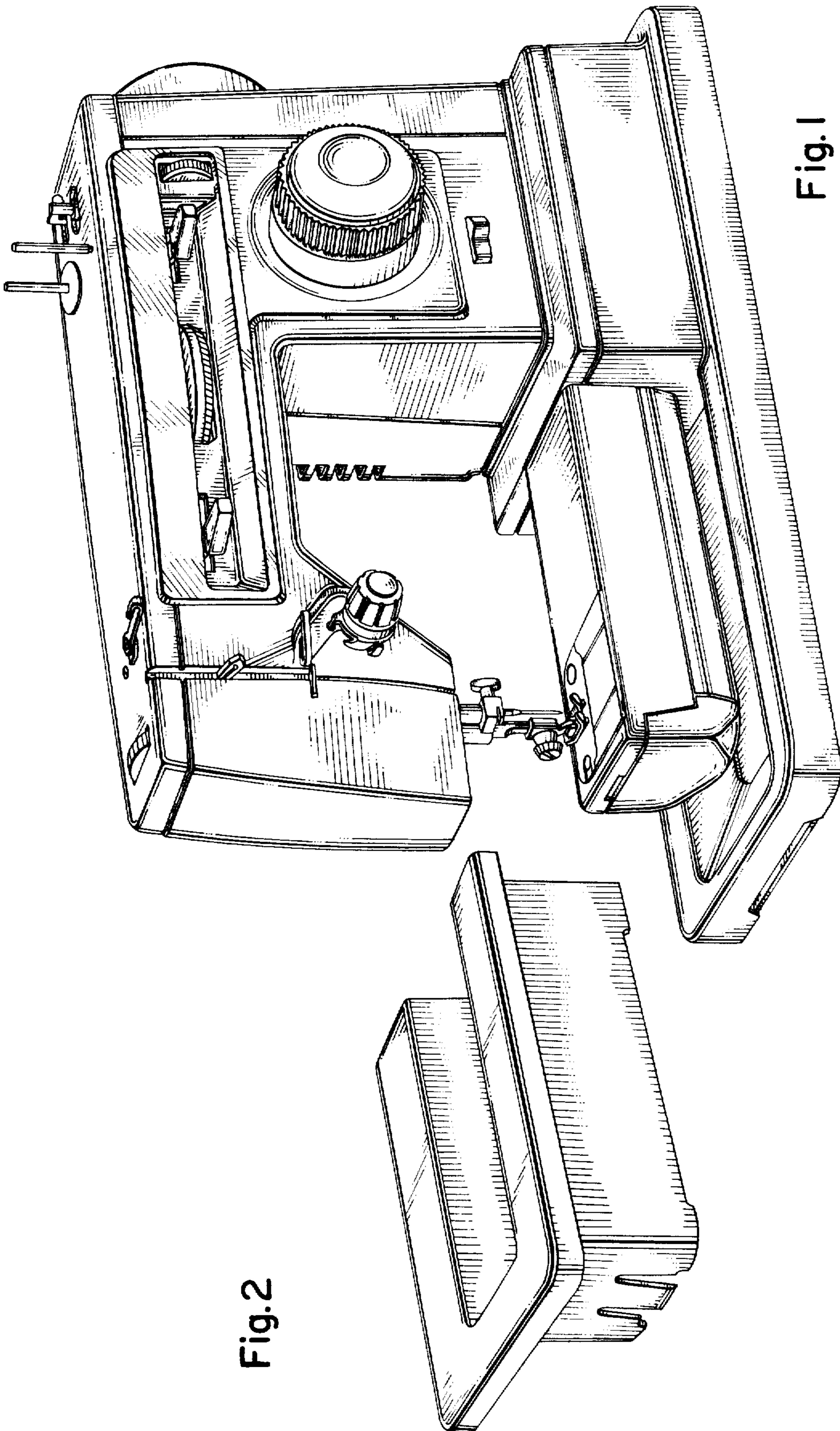


Fig. 1

Fig. 2

Fig.3

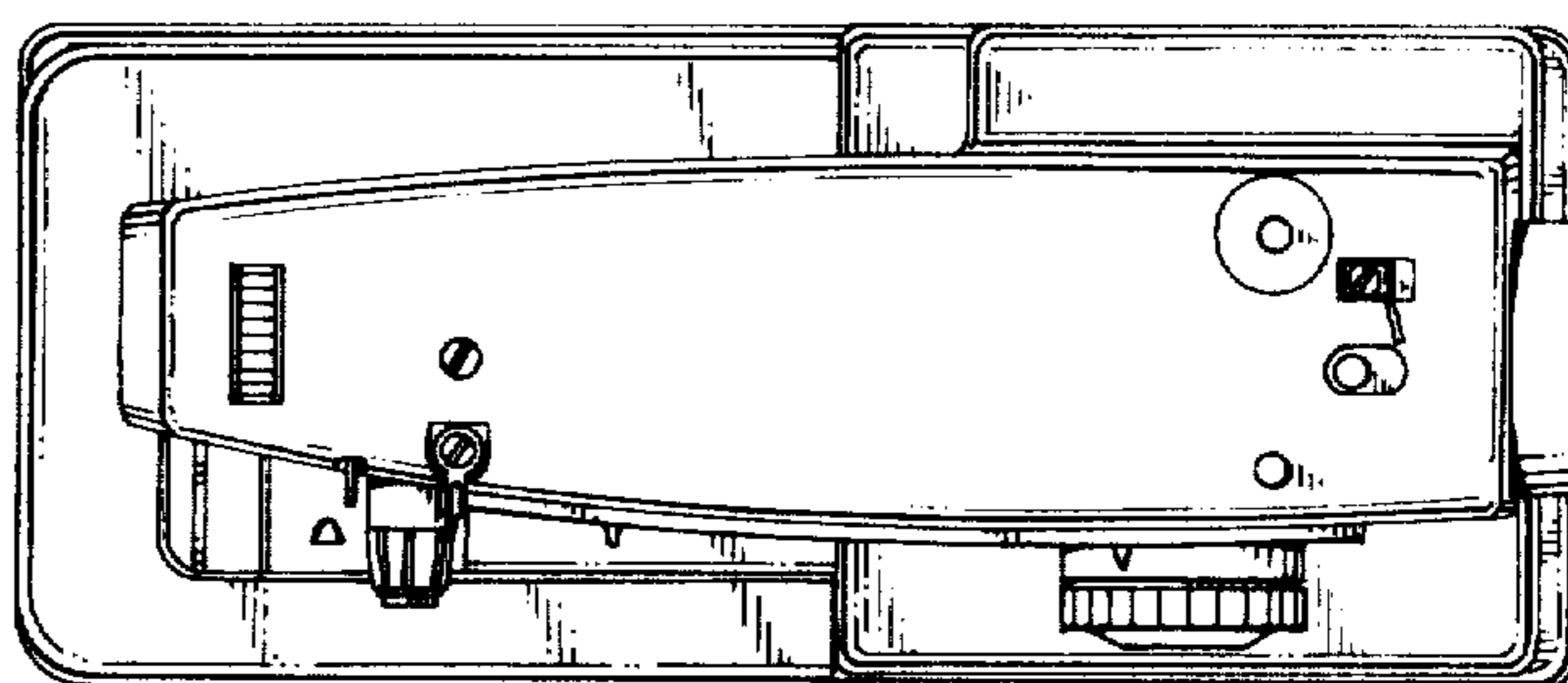


Fig.7

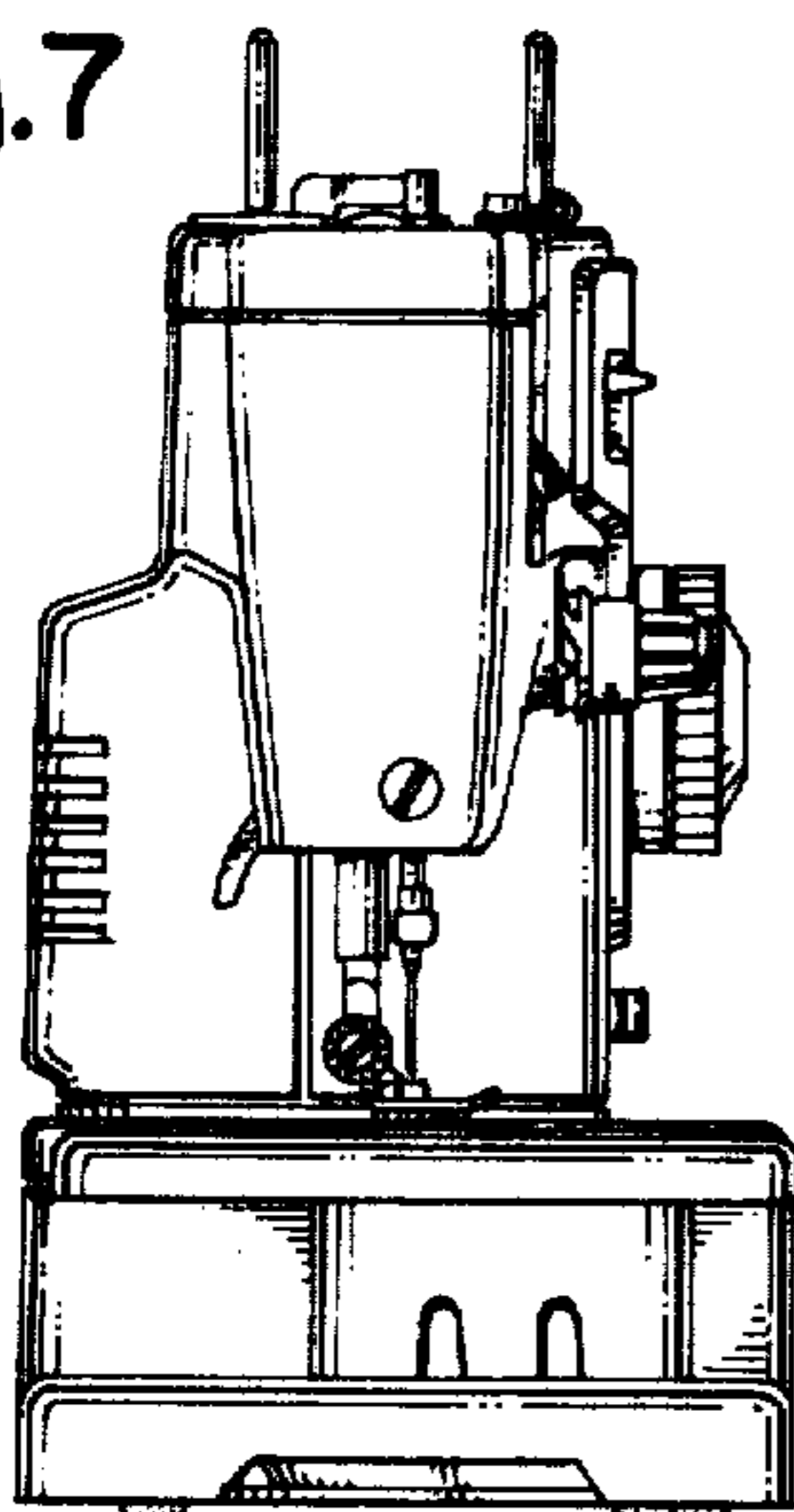


Fig.4

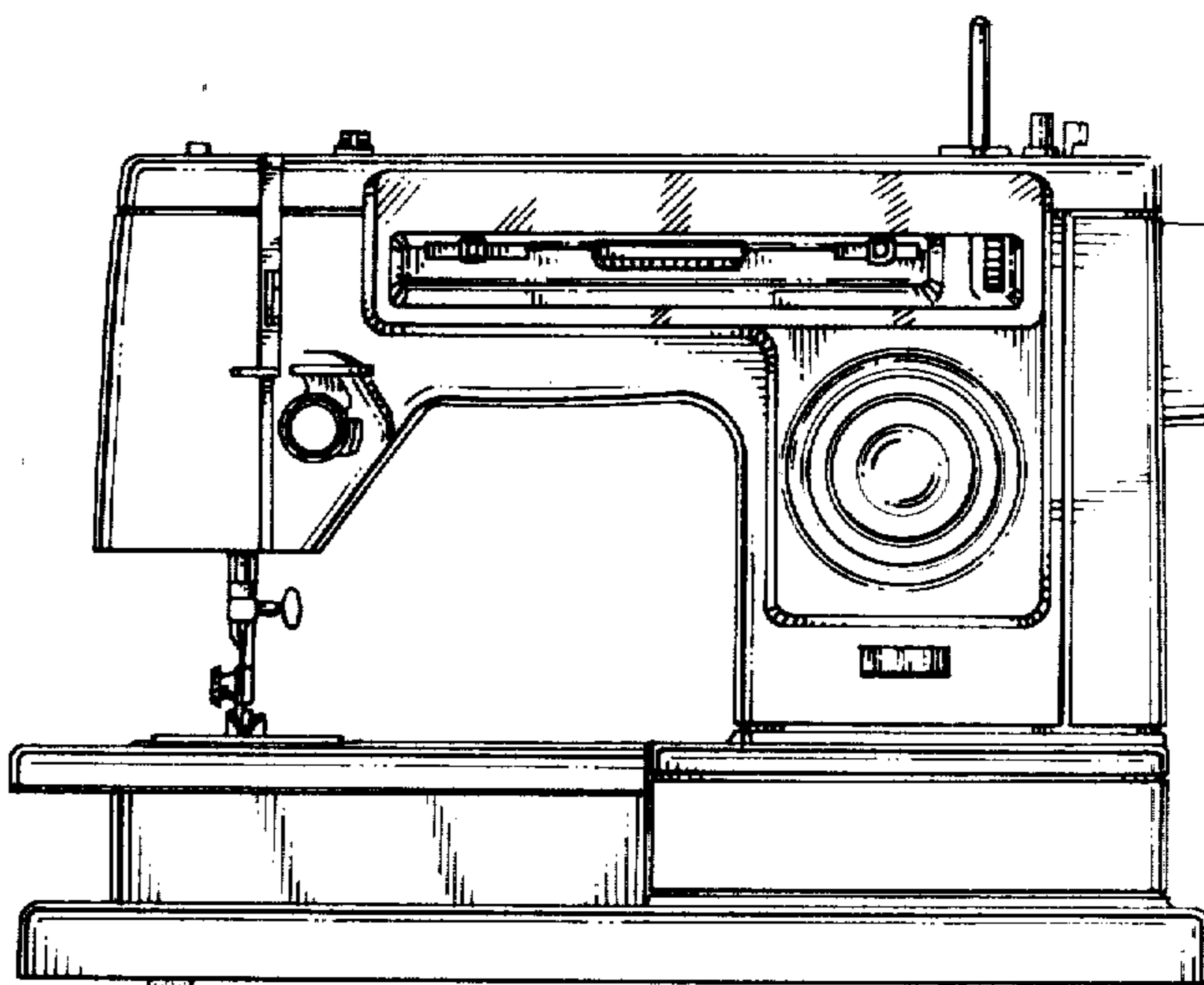


Fig.8

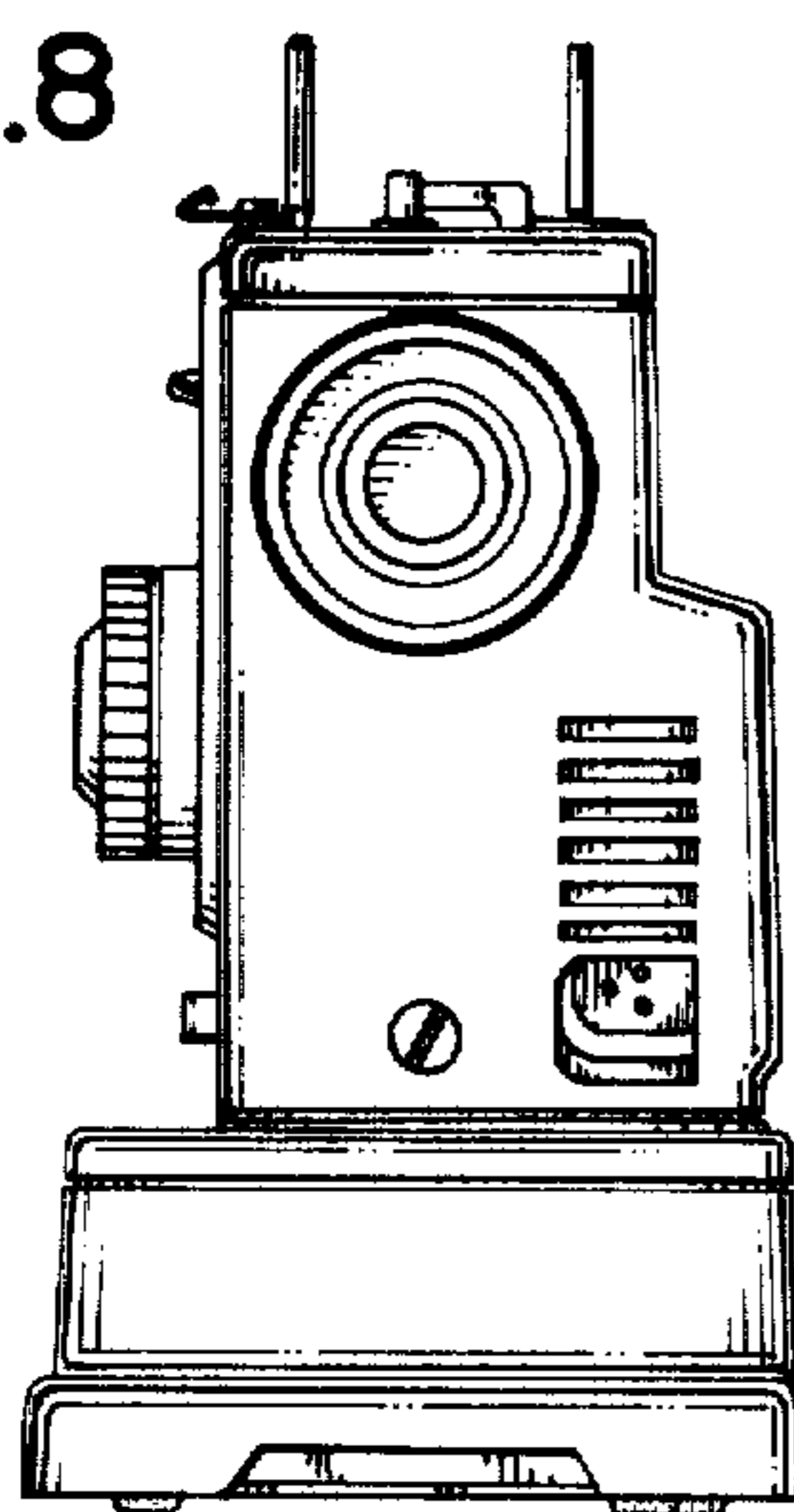


Fig.5

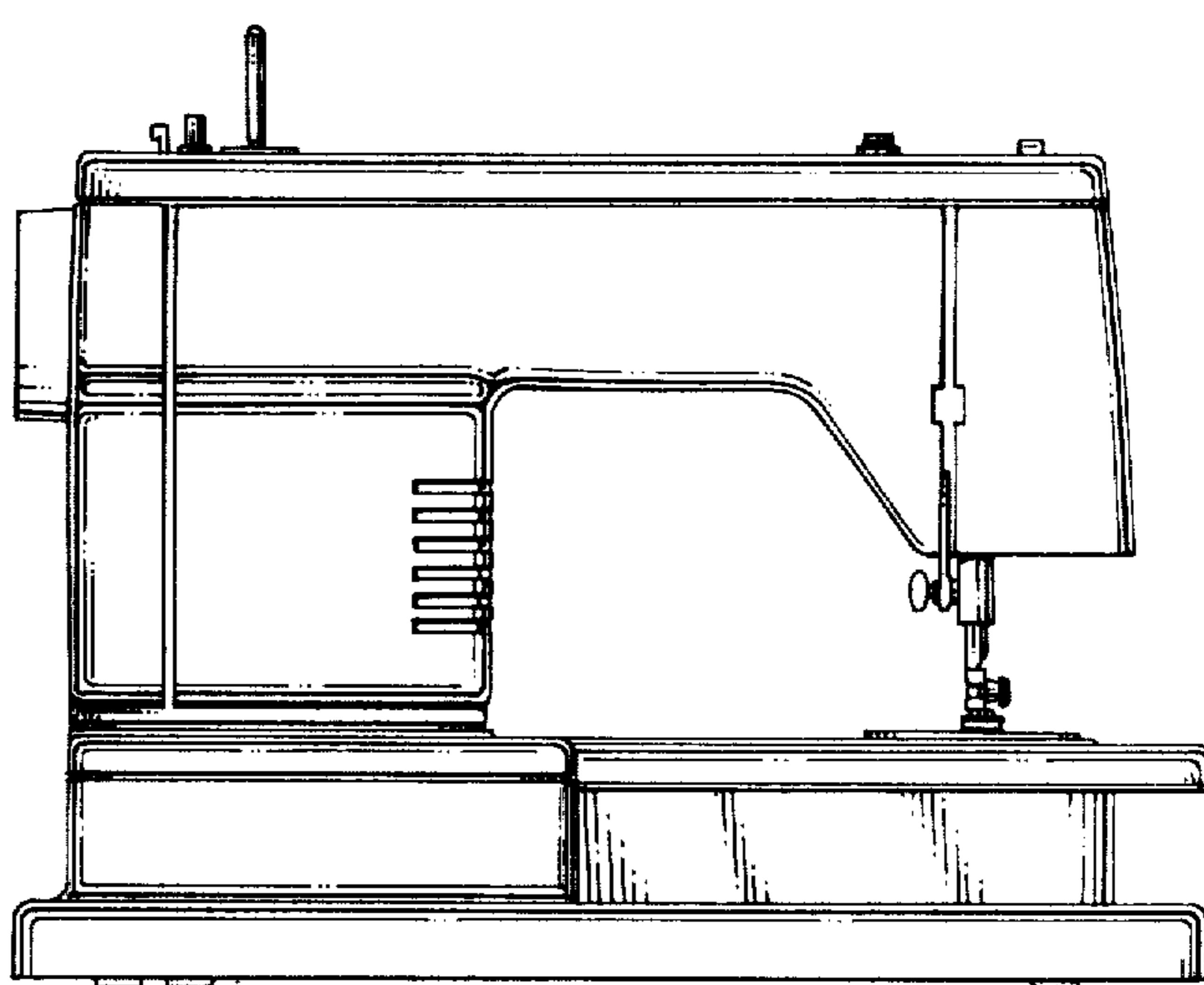


Fig.6

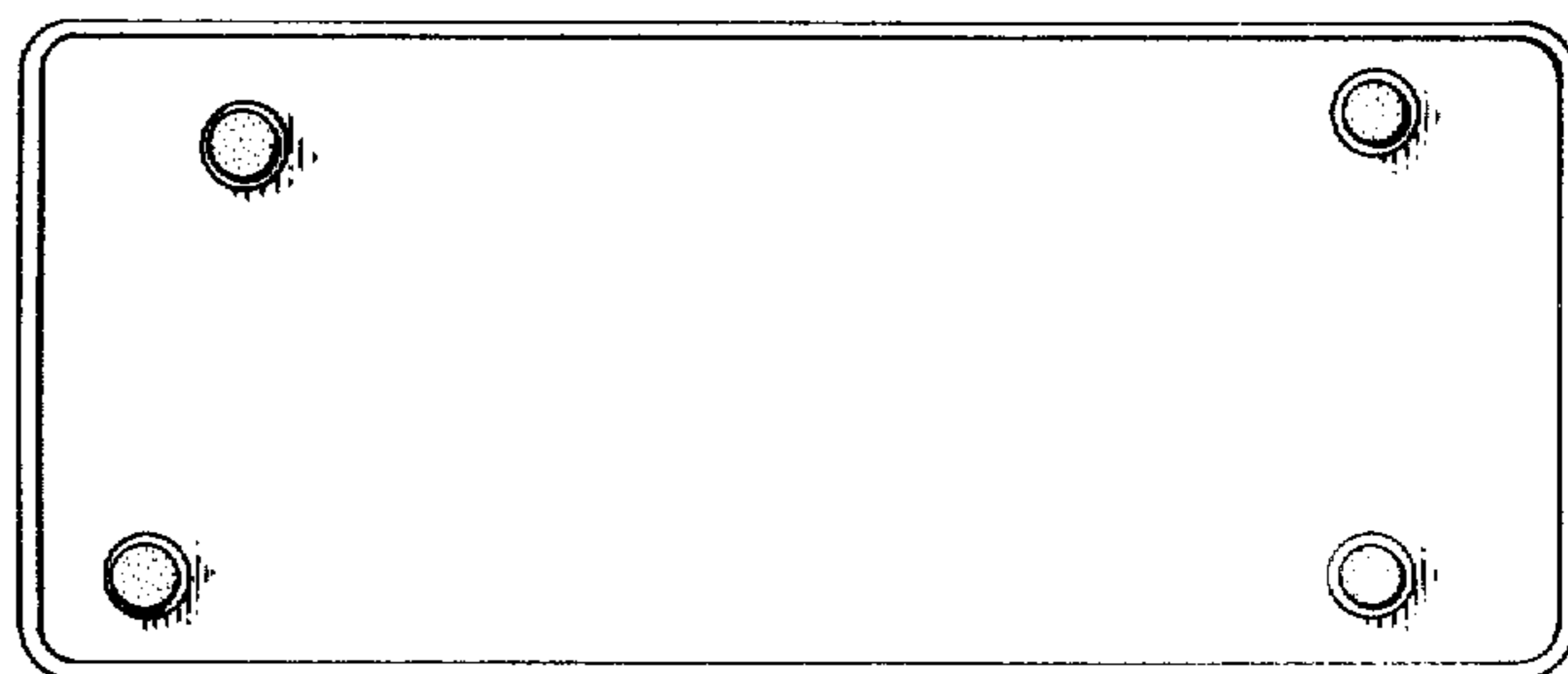


Fig.9

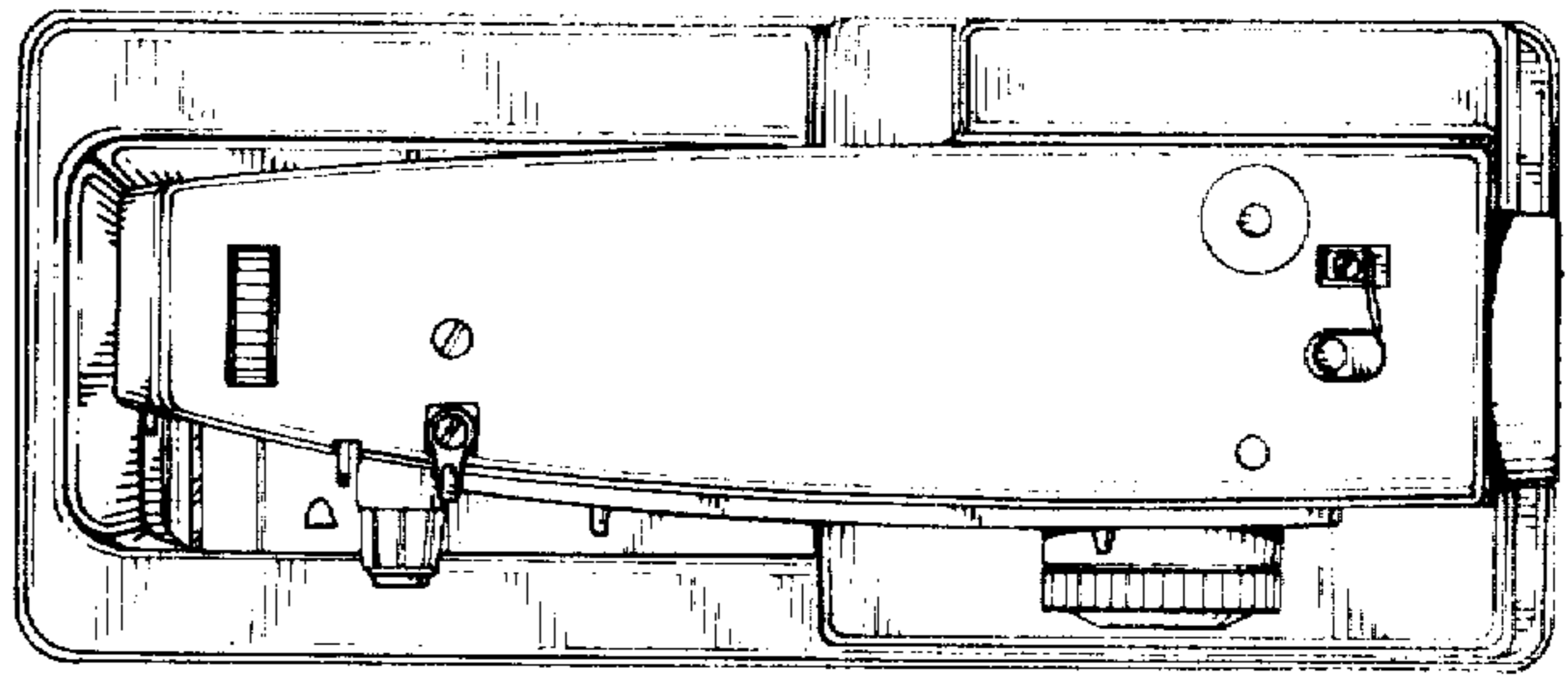


Fig.13

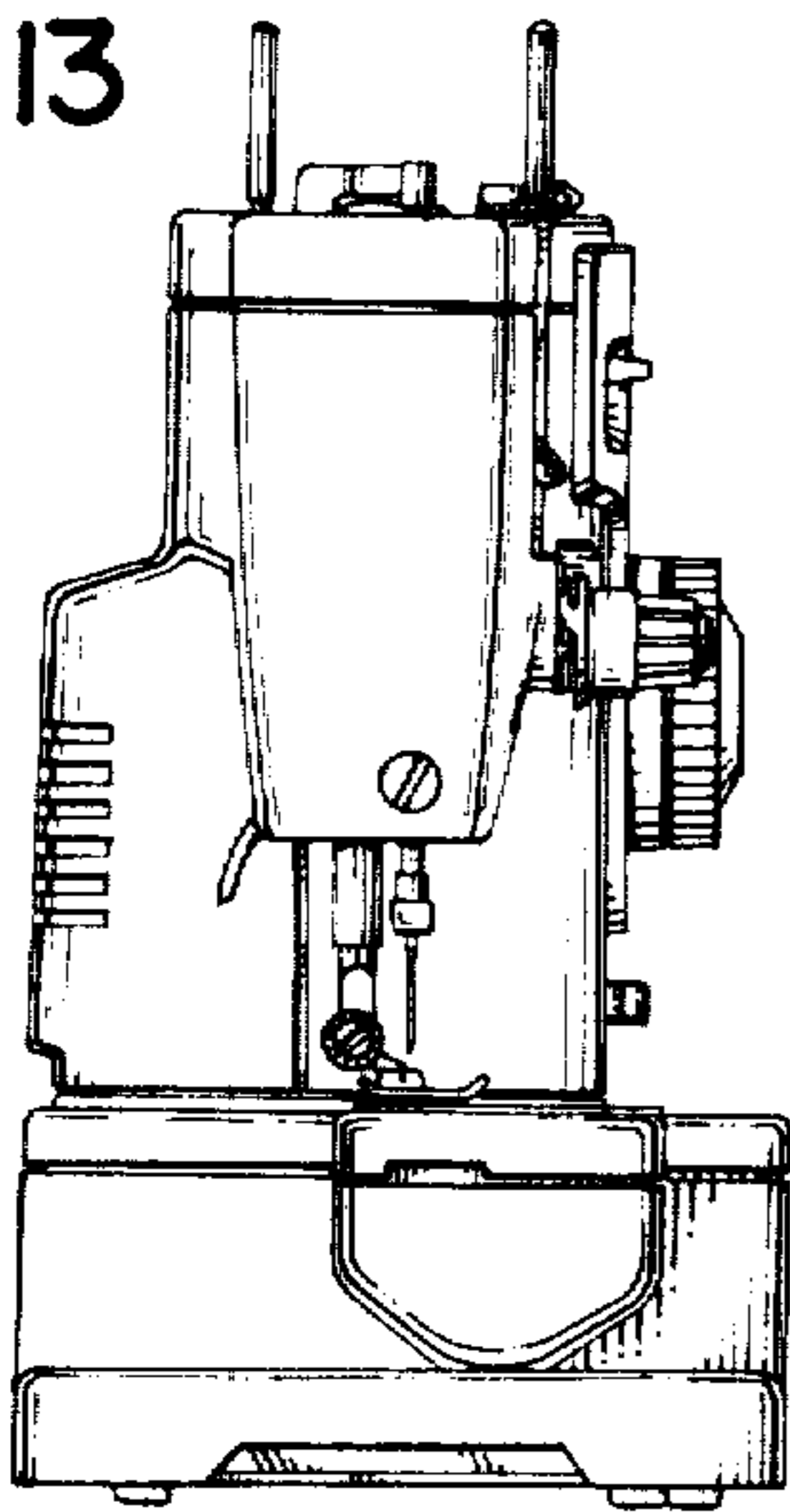


Fig.10

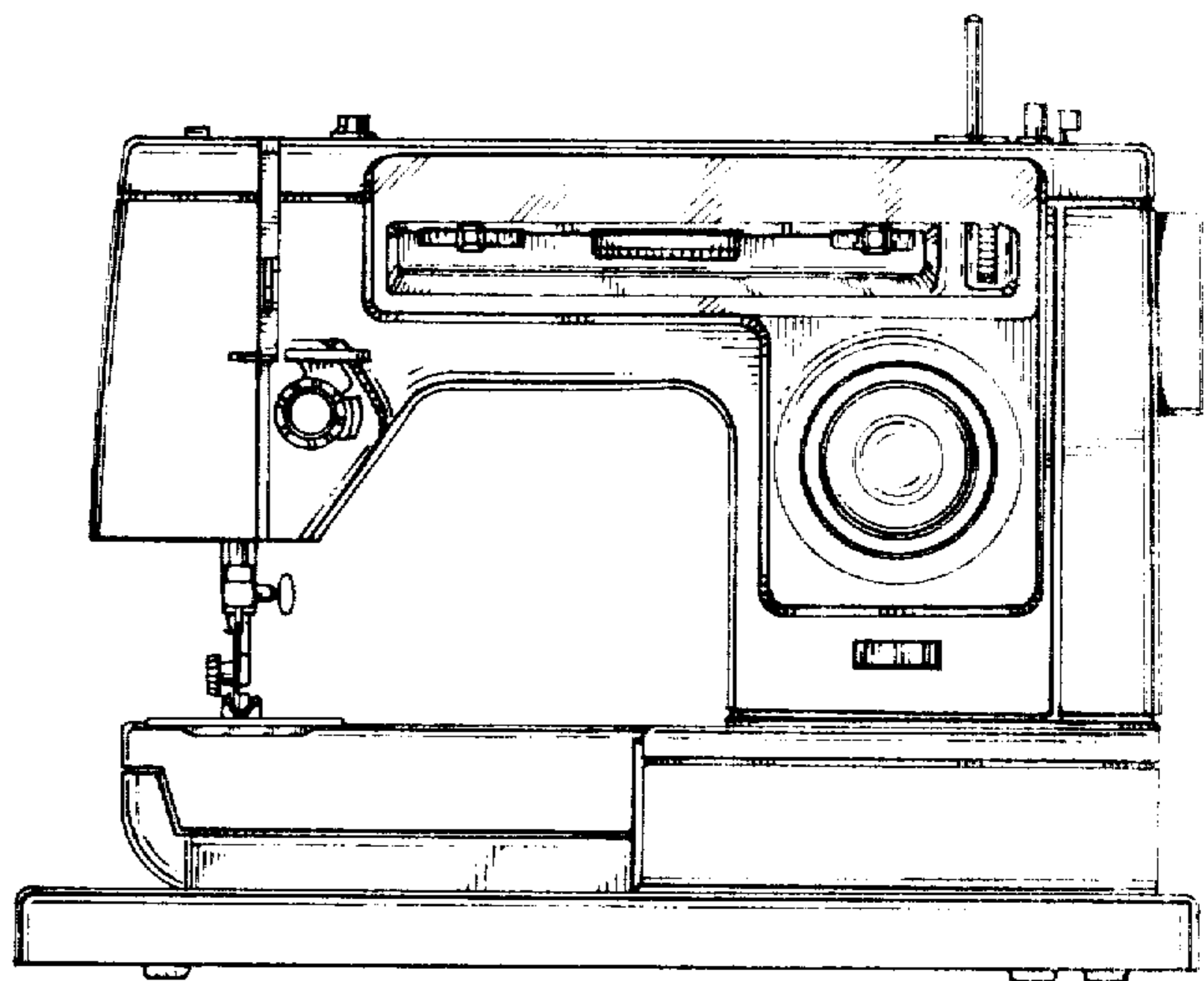


Fig.14

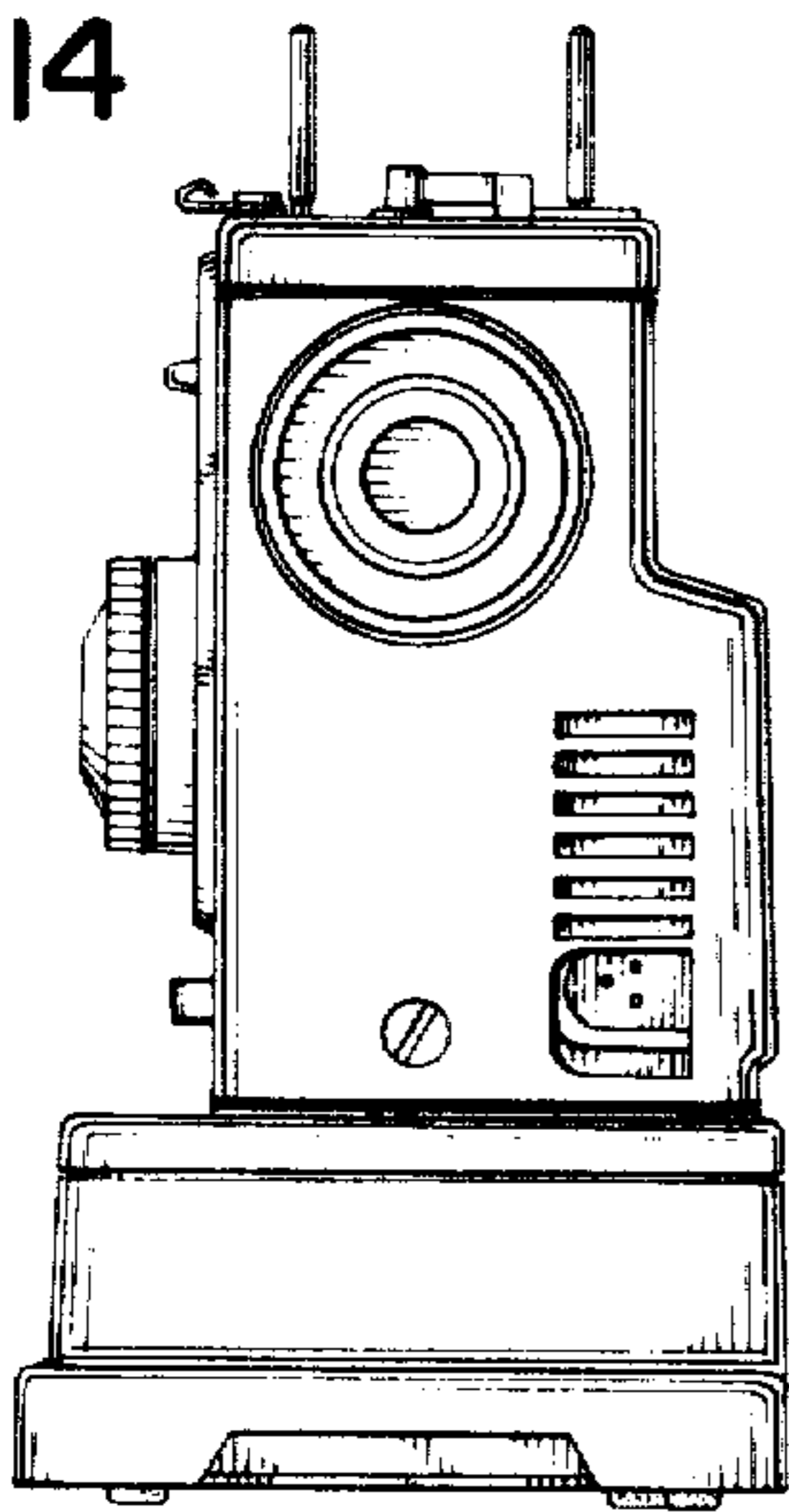


Fig.11

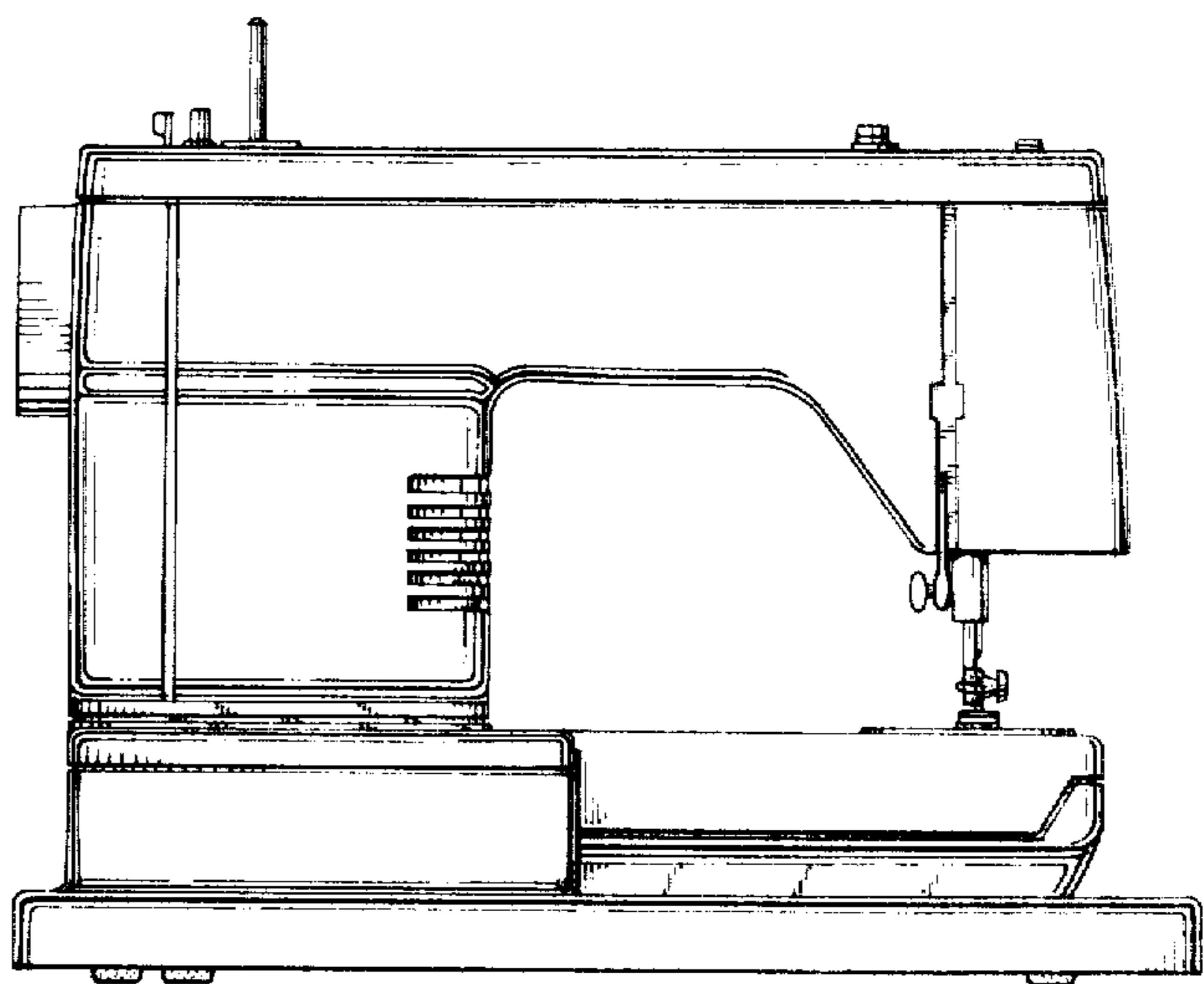


Fig.12

