

[54] **OUTBOARD UNIT OF AN INBOARD-OUTBOARD DRIVE FOR WATERCRAFT**

[76] Inventor: **Elmer C. Kiekhaefer**, 2408 Cypress Gardens Rd., Winter Haven, Fla. 33880

[**] Term: **14 Years**

[21] Appl. No.: **69,603**

[22] Filed: **Aug. 24, 1979**

[51] Int. Cl. **D15-01**

[52] U.S. Cl. **D15/4**

[58] Field of Search **D15/4; 440/52, 55-64, 440/112**

[56] **References Cited**

U.S. PATENT DOCUMENTS

3,382,839 5/1968 Kiekhaefer 440/112

OTHER PUBLICATIONS

Boating, 7/78, inside front cover, OMC Stern Drive.

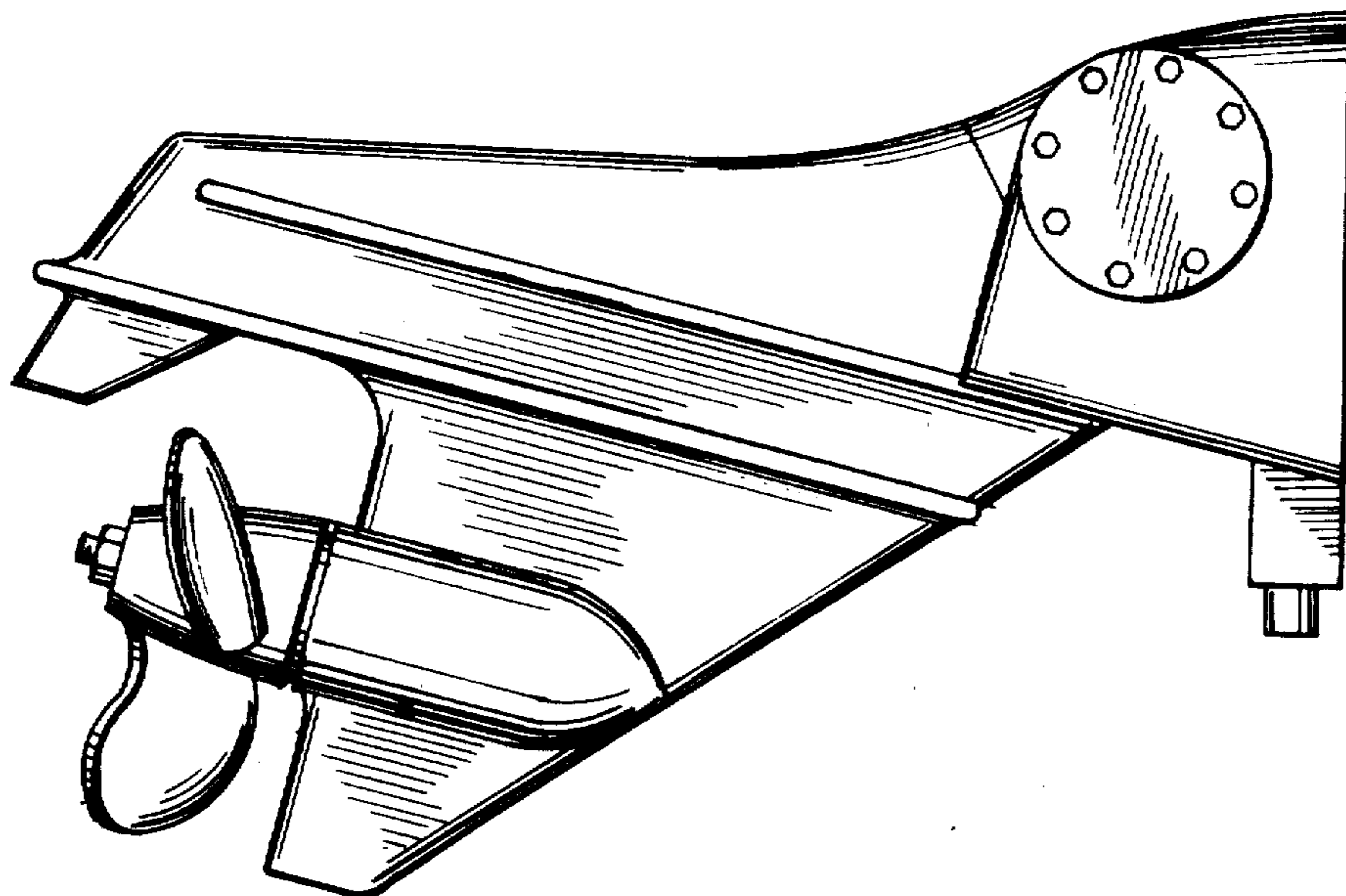
Primary Examiner—James M. Gandy
Attorney, Agent, or Firm—Andrus, Scales, Starke & Sawall

[57] **CLAIM**

The ornamental design for an outboard unit of an inboard-outboard drive for watercraft, substantially as shown and described.

DESCRIPTION

FIG. 1 is a side elevation view of the outboard unit of an inboard-outboard drive for watercraft showing my new design;
FIG. 2 is an opposite side elevation view thereof;
FIG. 3 is an end elevation view thereof;
FIG. 4 is a top plan view thereof;
FIG. 5 is an end elevation view thereof similar to FIG. 3 but with the drive unit in a full turn steering mode;
FIG. 6 is an end elevation view thereof similar to FIG. 3 but with the drive unit in a full turn steering mode opposite to that in FIG. 5; and
FIG. 7 is an end elevation view thereof opposite to that shown in FIG. 3.



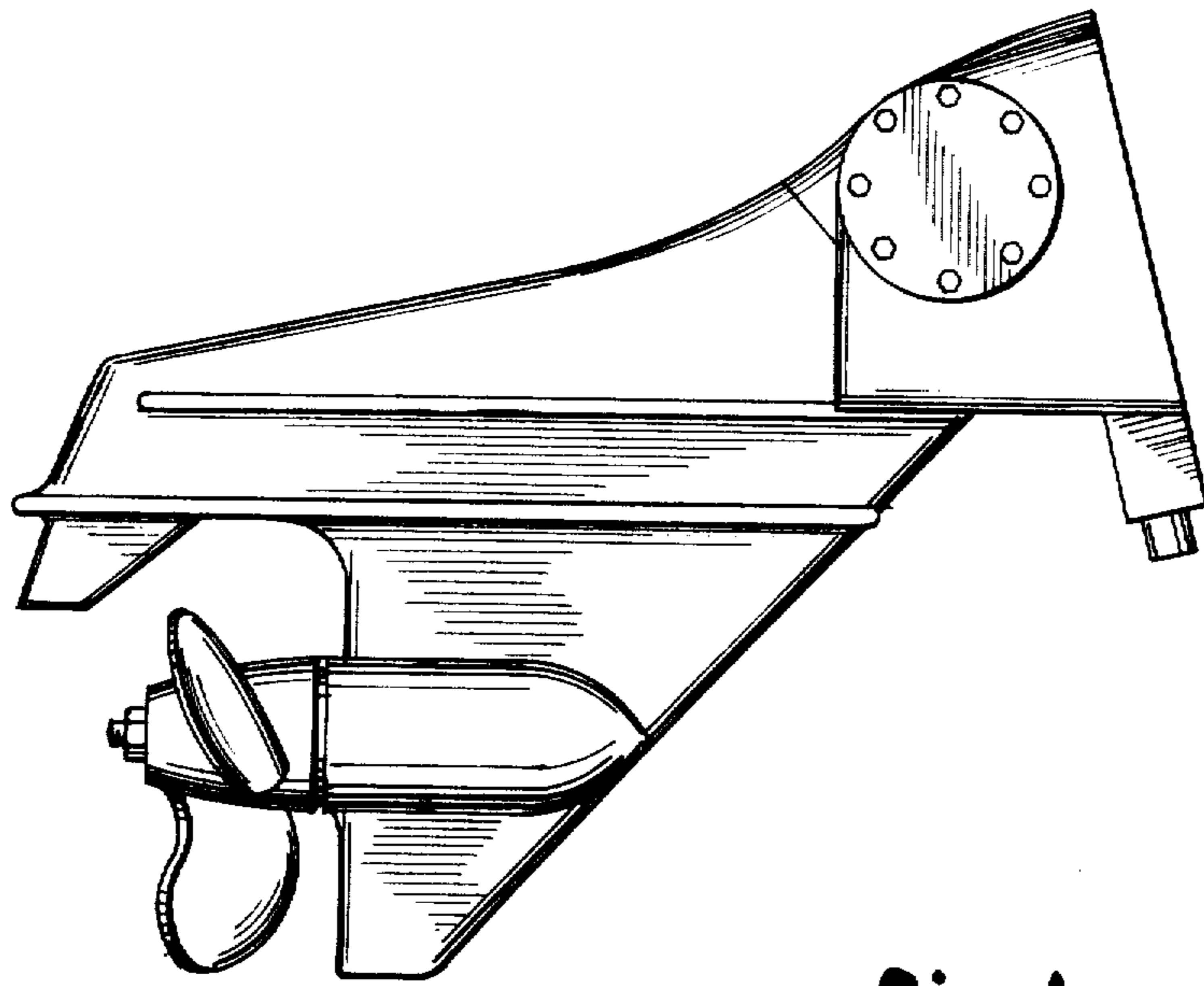


fig. 1

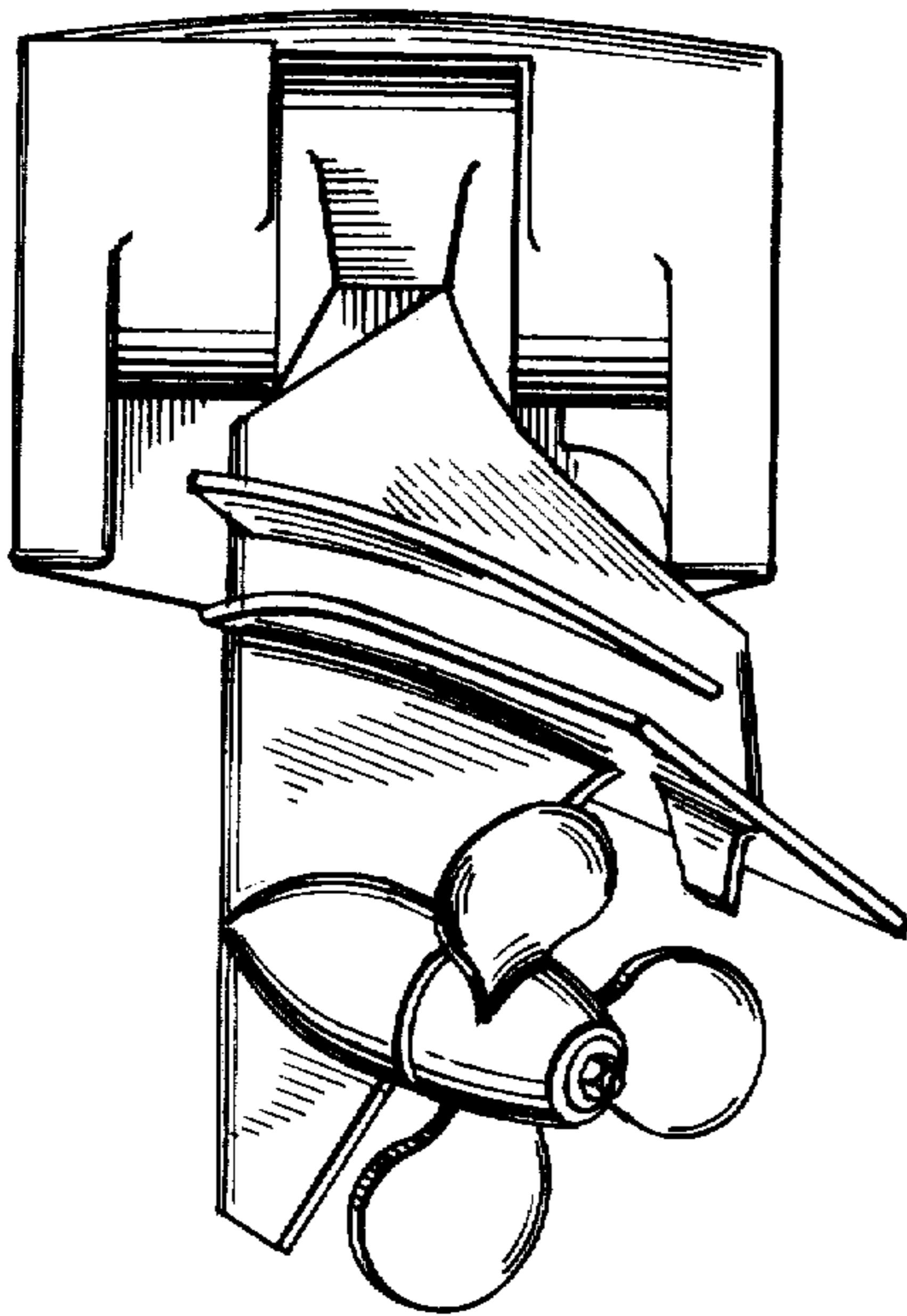


fig. 5

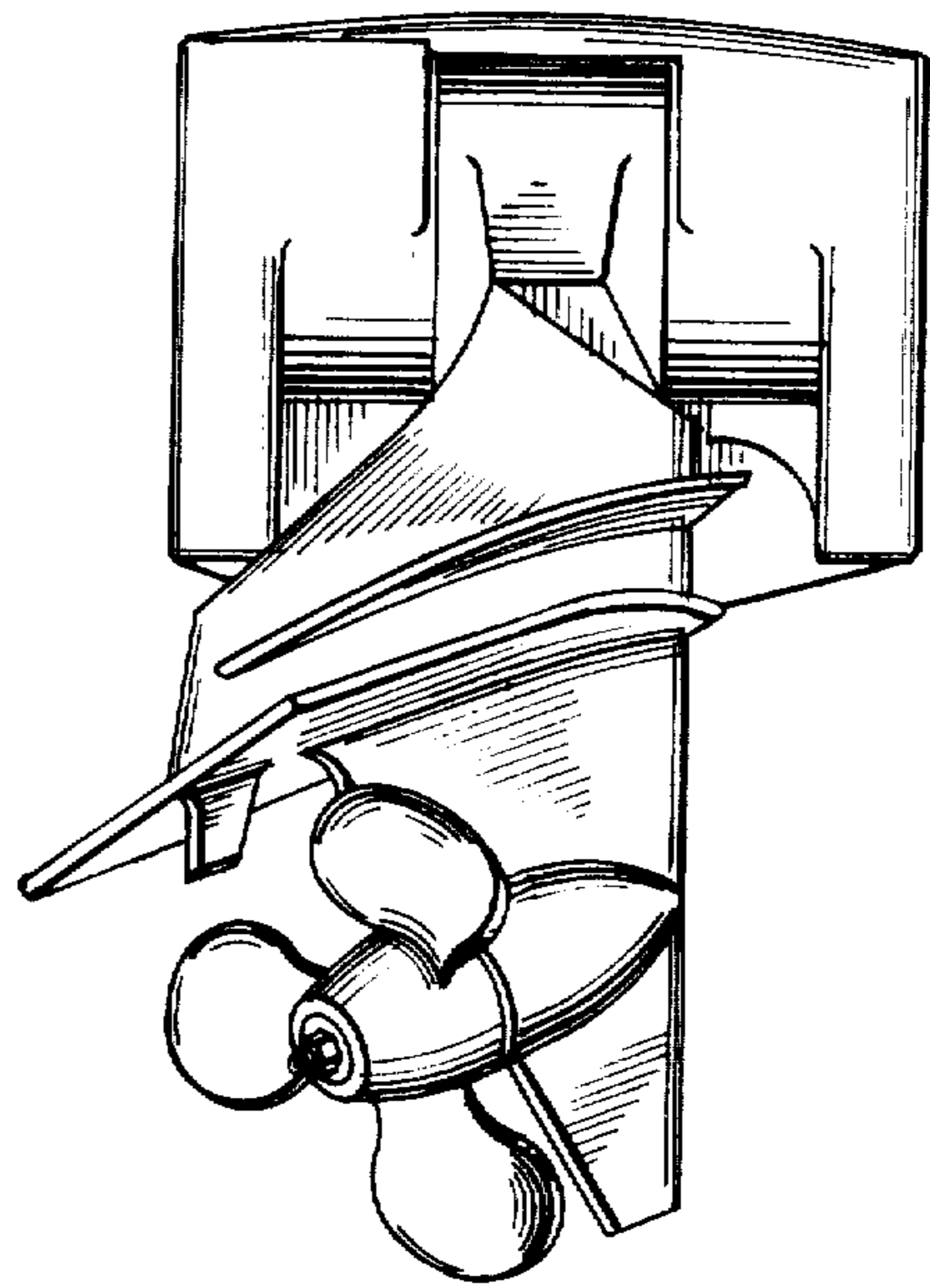


fig. 6

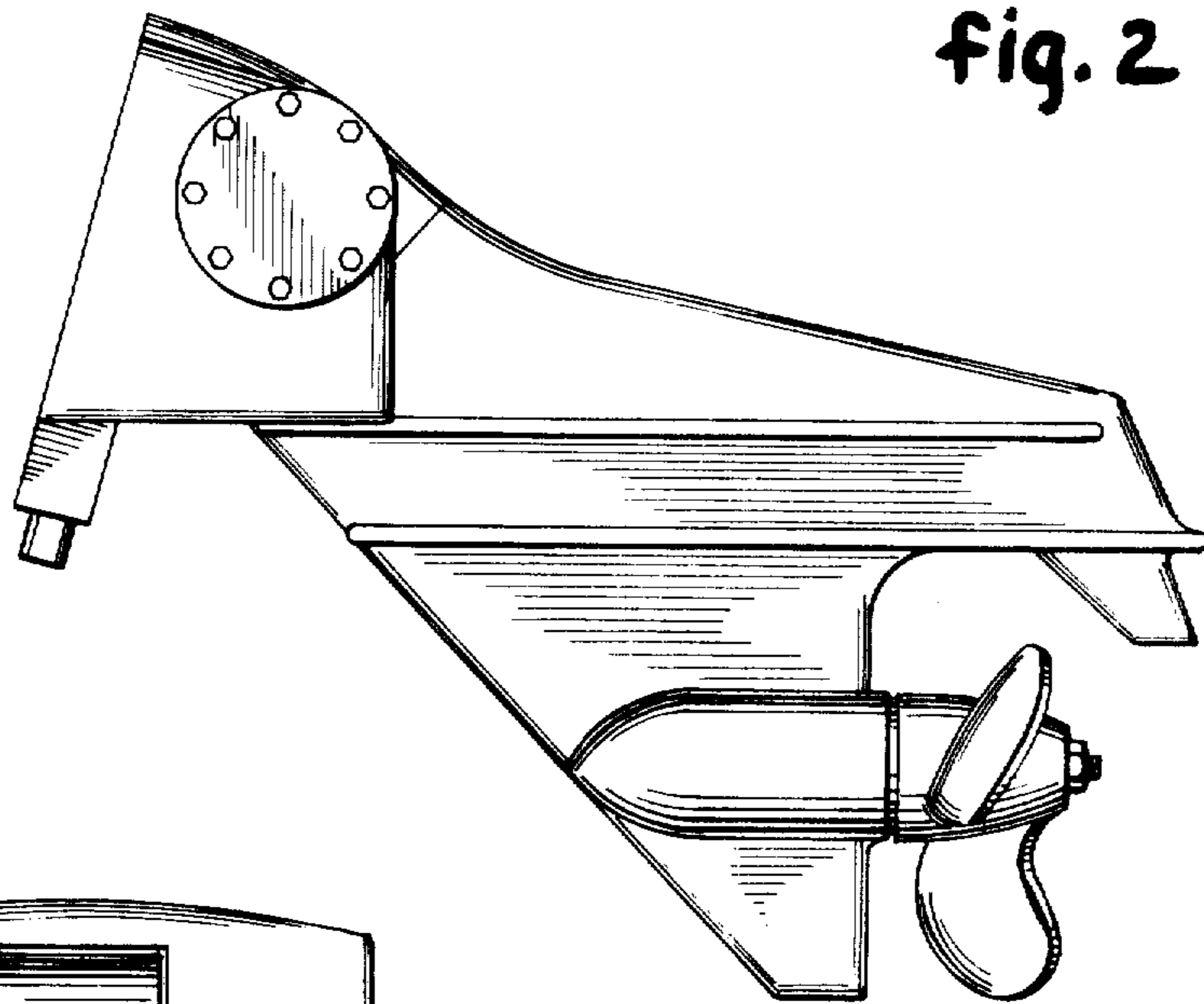


fig. 2

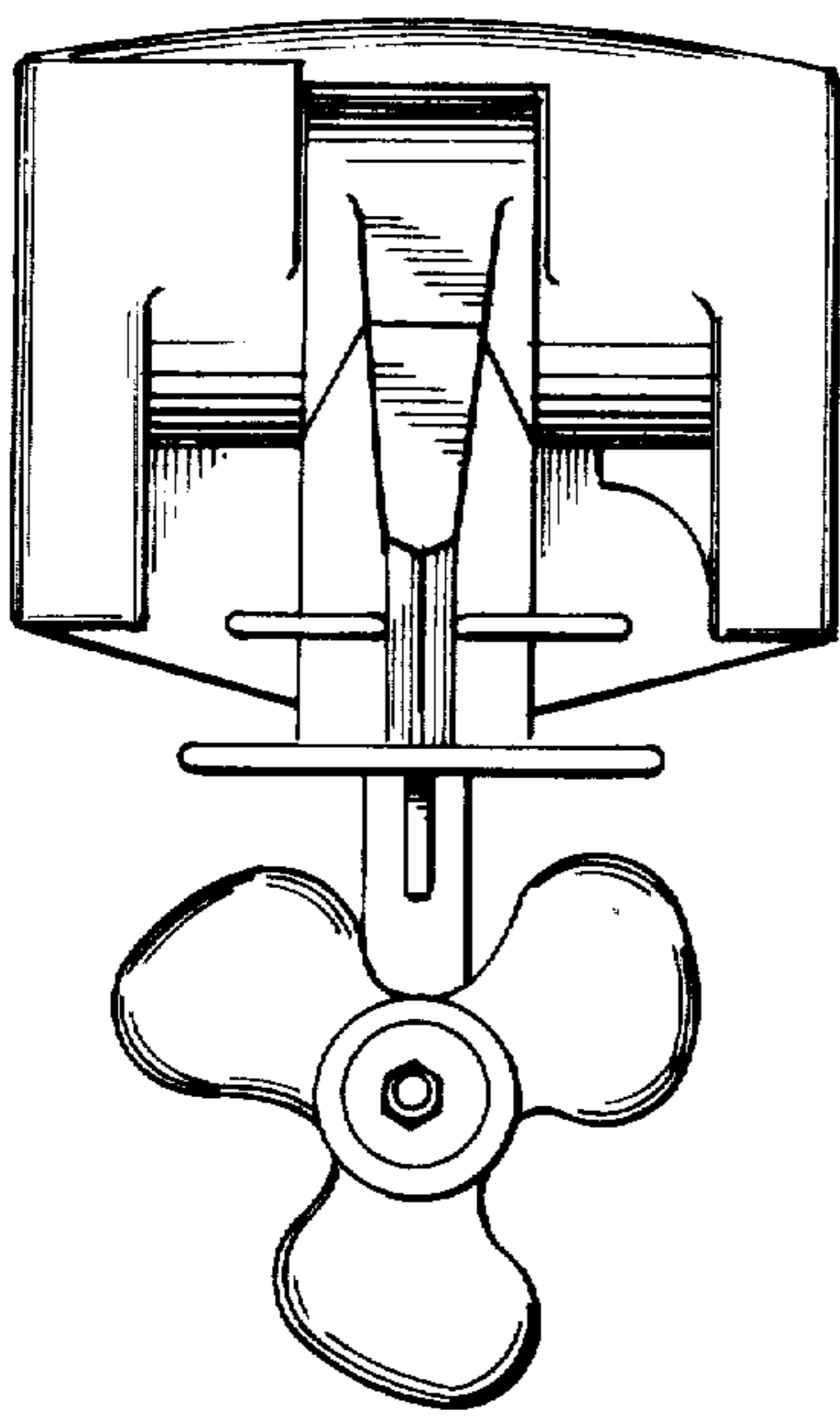


fig. 3

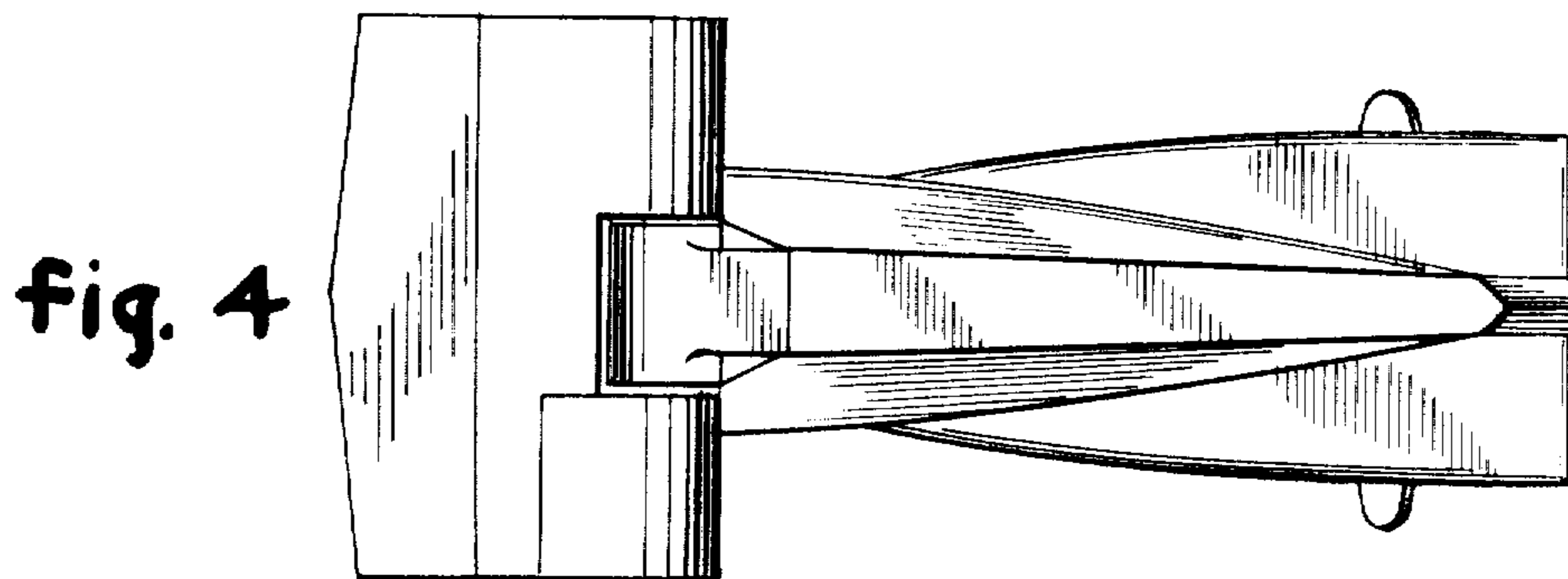


fig. 4

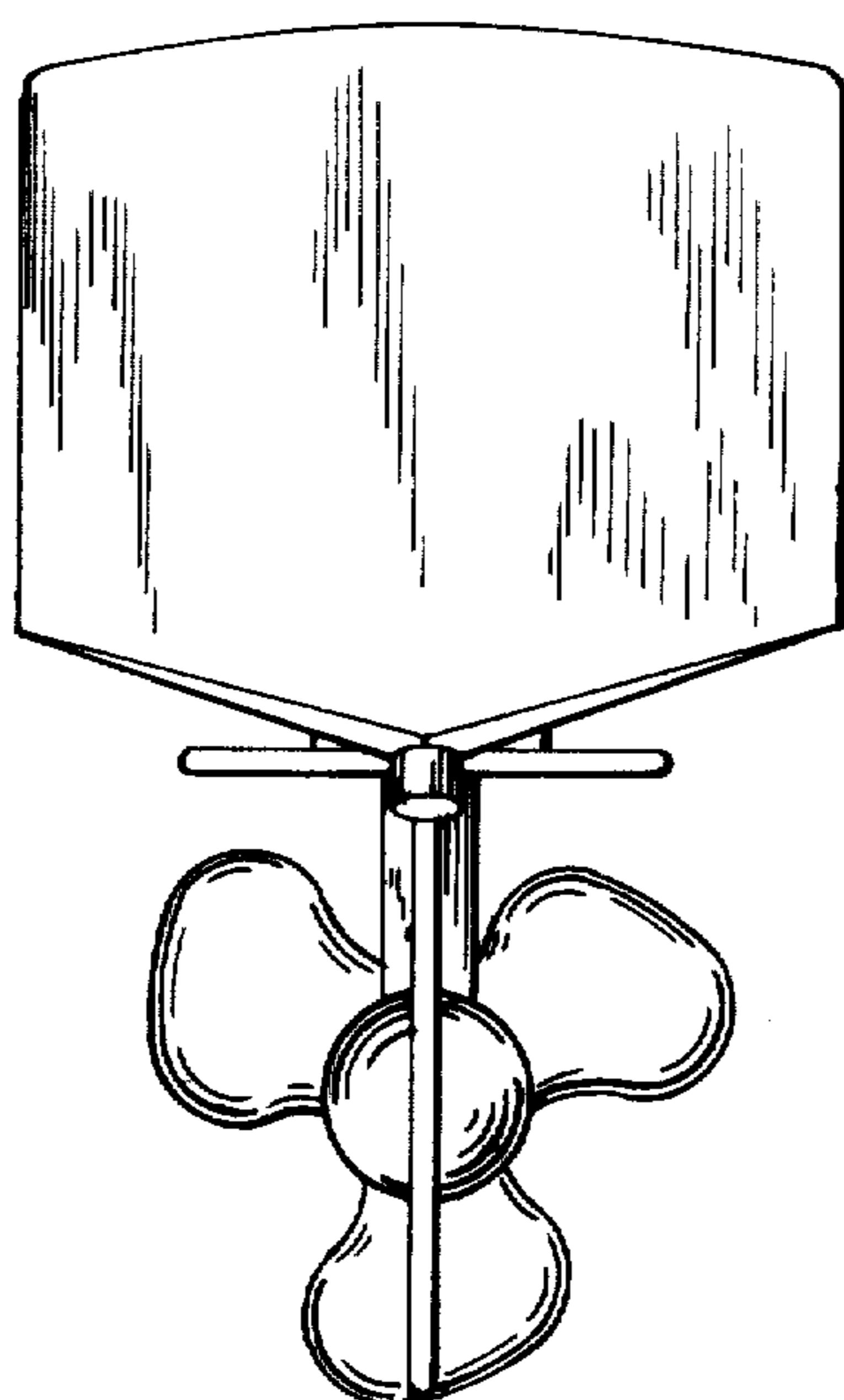


fig. 7