

[54] **ROTATABLE TELEPHONE SUPPORT**

[76] Inventor: **Robert A. Cavanagh**, 7/22 St. Hilliers Rd., Auburn, New South Wales 2144, Australia

[\*\*] Term: **14 Years**

[21] Appl. No.: **137,657**

[22] Filed: **Apr. 7, 1980**

[30] **Foreign Application Priority Data**

Oct. 15, 1979 [AU] Australia ..... 79,269

[51] Int. Cl. .... **D14-03**

[52] U.S. Cl. .... **D14/60; D14/59**

[58] Field of Search ..... 179/178, 146 R, 147; D14/59, 65; D11/164; D6/182; 248/349, 346

[56] **References Cited**

**U.S. PATENT DOCUMENTS**

- D. 139,369 11/1944 Dann ..... D14/60
- D. 148,464 1/1948 Goldman ..... D14/60

- D. 167,708 9/1962 Moore ..... D14/60
- D. 221,004 6/1971 Dyke ..... D14/60
- D. 240,224 6/1976 Schneider et al. .... D14/60 X
- D. 240,431 7/1976 Stapp ..... D14/60

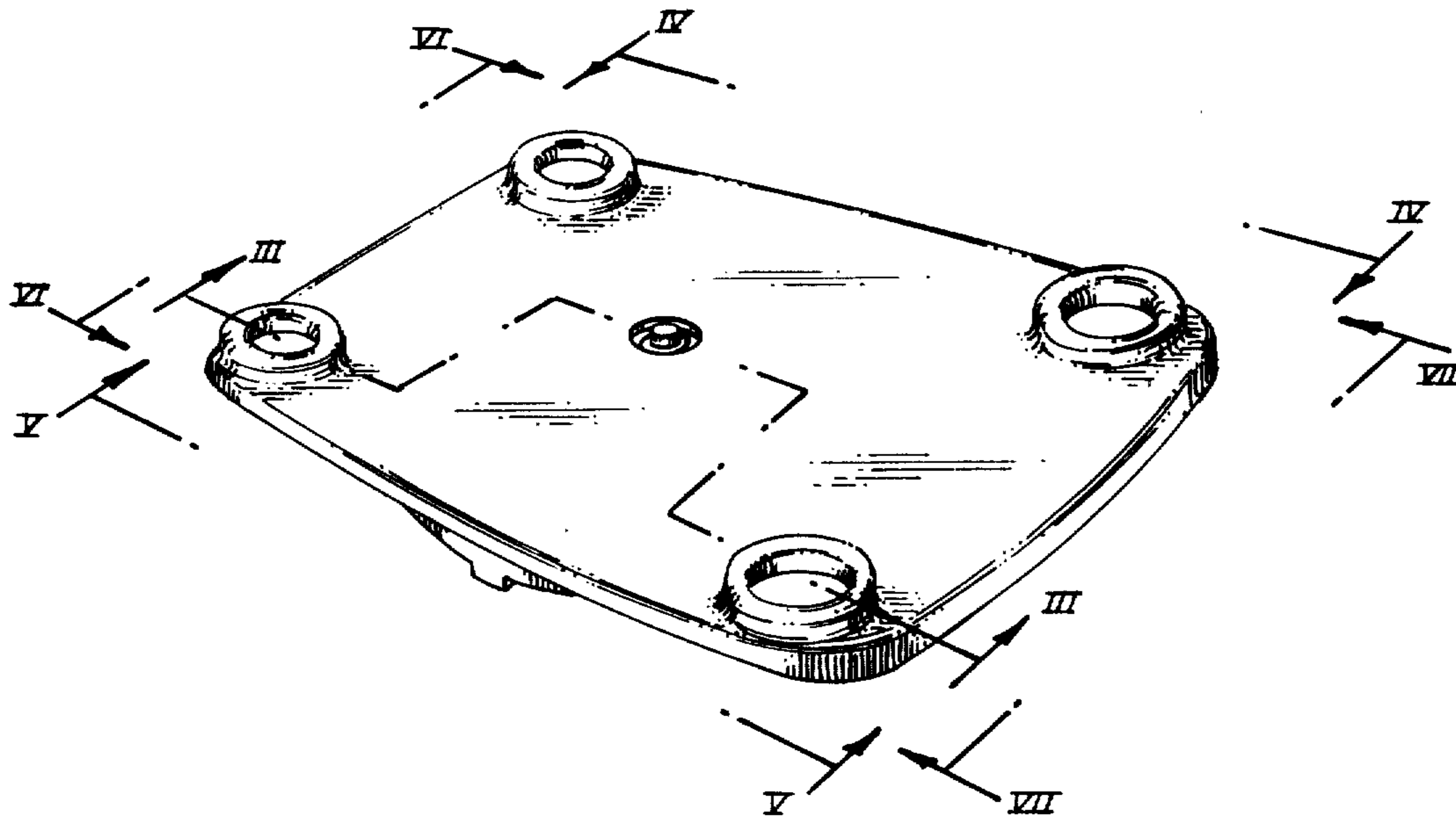
*Primary Examiner*—Bernard Ansher  
*Attorney, Agent, or Firm*—Ladas & Parry

[57] **CLAIM**

The ornamental design for a rotatable telephone support, as shown and described.

**DESCRIPTION**

FIG. 1 is a top plan view of a rotatable telephone support, showing my new design;  
 FIG. 2 is a bottom plan view thereof;  
 FIG. 3 is a cross-section taken on line 3—3 of FIG. 1;  
 FIG. 4 is a cross-section taken on line 4—4 of FIG. 8;  
 FIG. 5 is a cross-section taken on line 5—5 of FIG. 8;  
 FIG. 6 is a cross-section taken on line 6—6 of FIG. 8;  
 FIG. 7 is a cross-section taken on line 7—7 of FIG. 8;  
 and  
 FIG. 8 is a top perspective view of the rotatable telephone support.



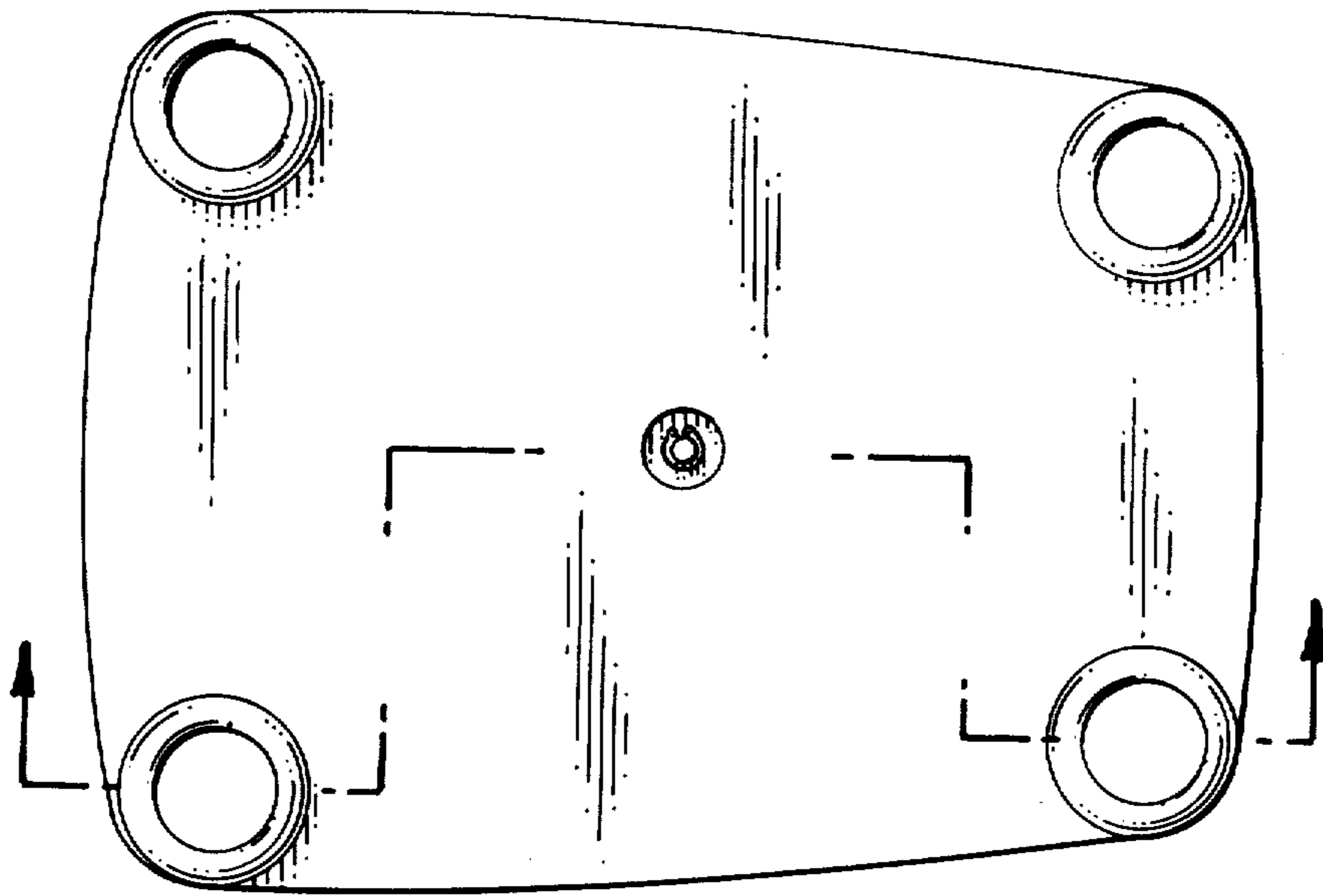


FIG. 1

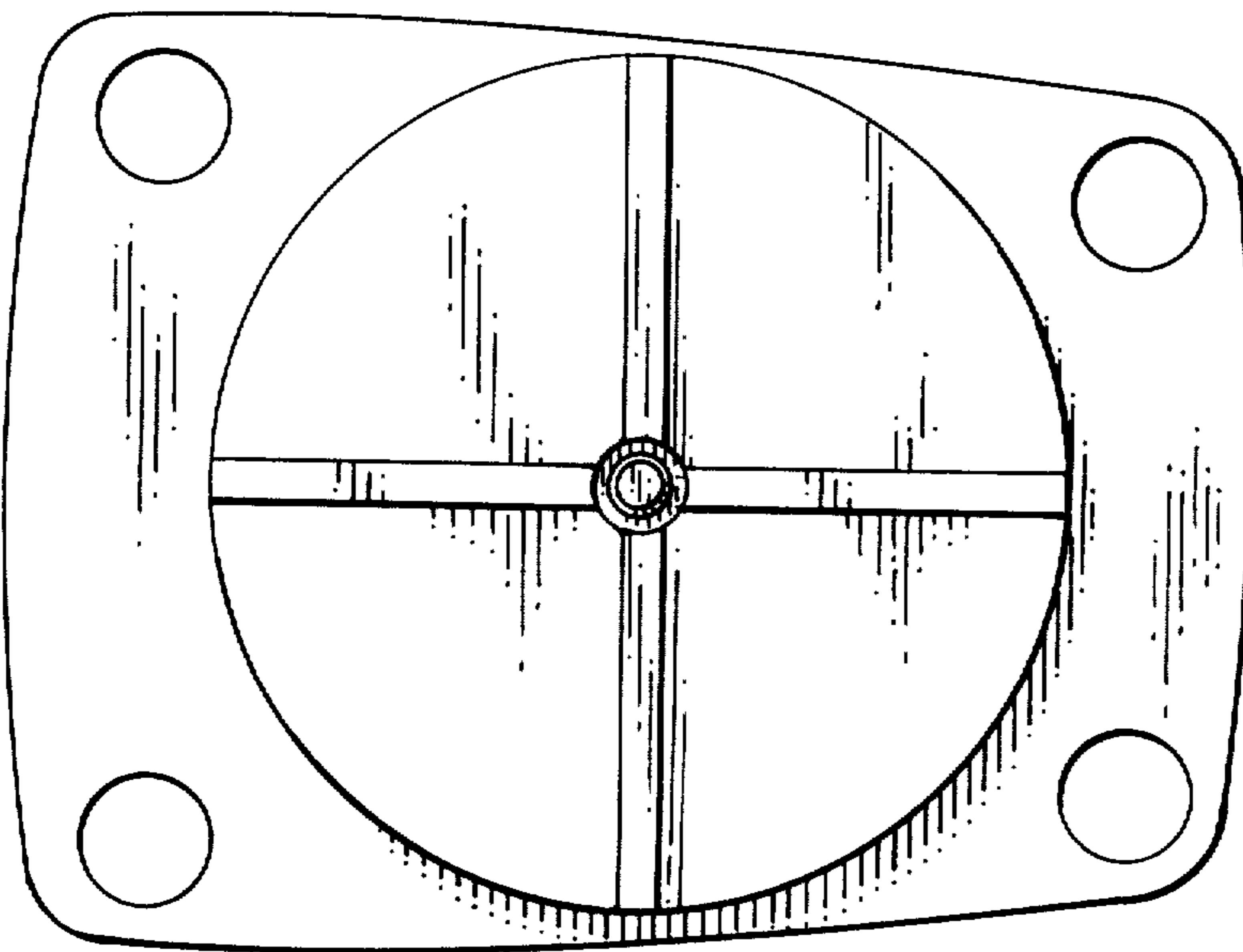


FIG. 2

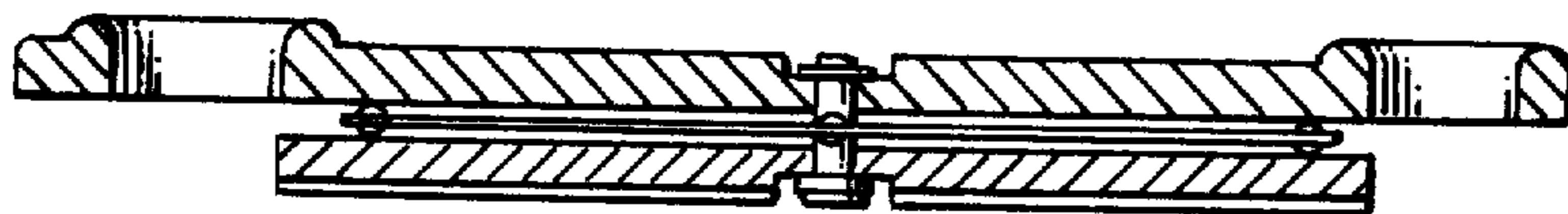


FIG. 3

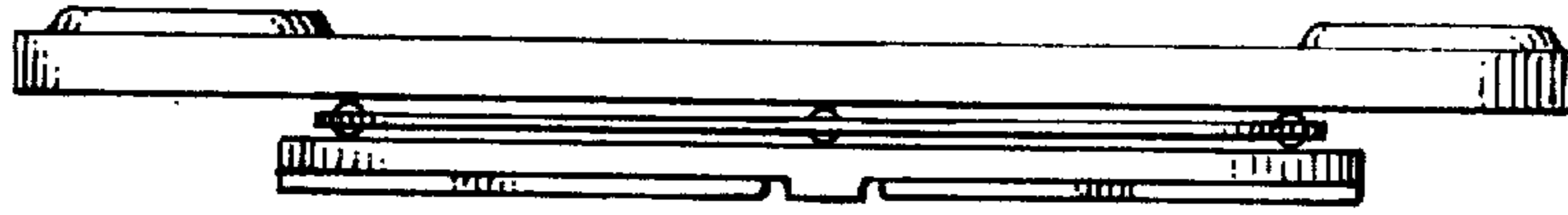


FIG. 4

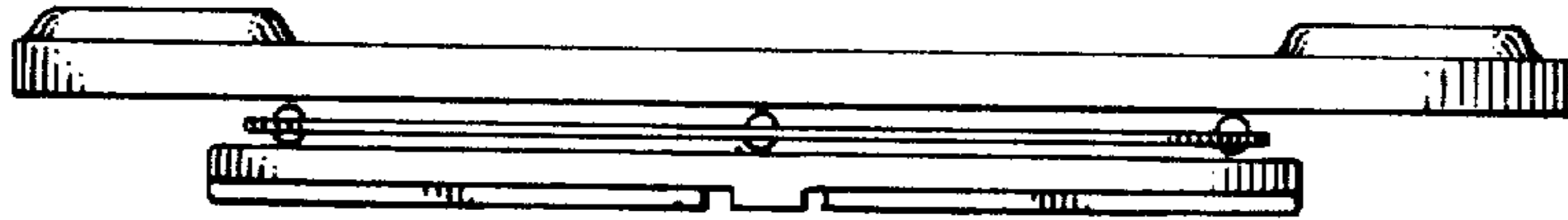


FIG. 5

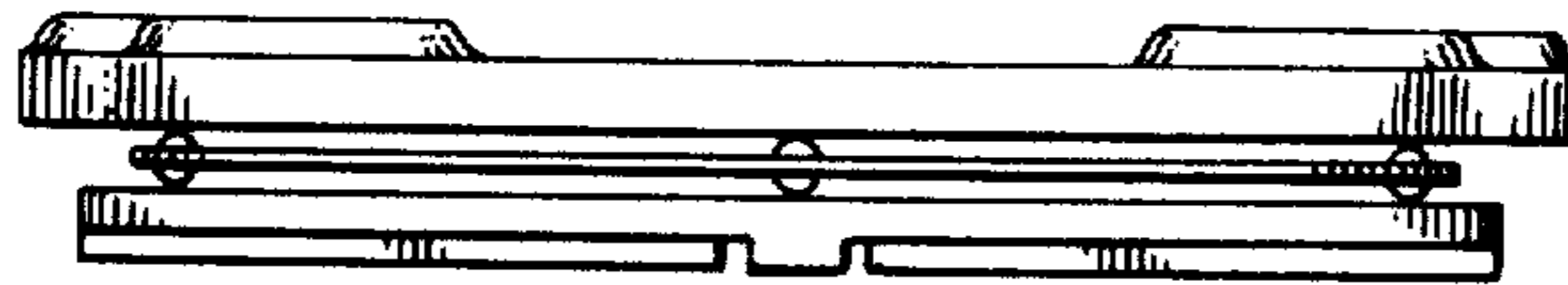


FIG. 6

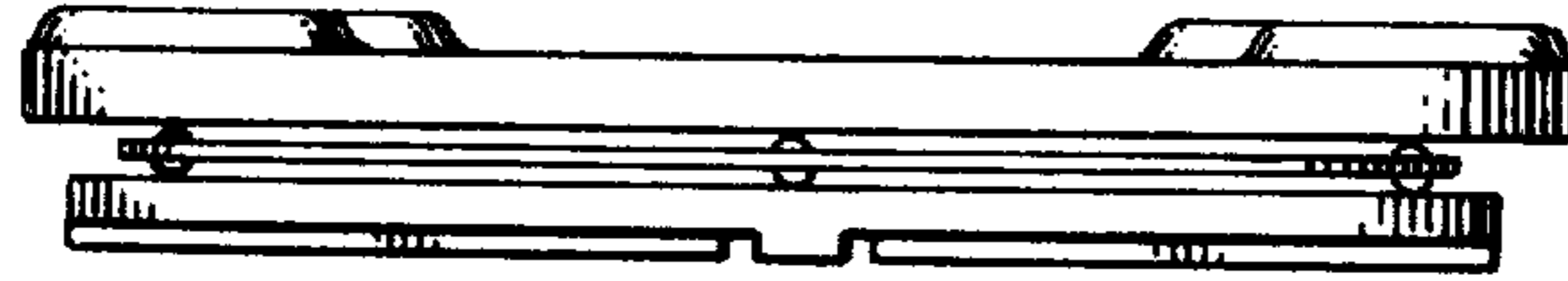


FIG. 7

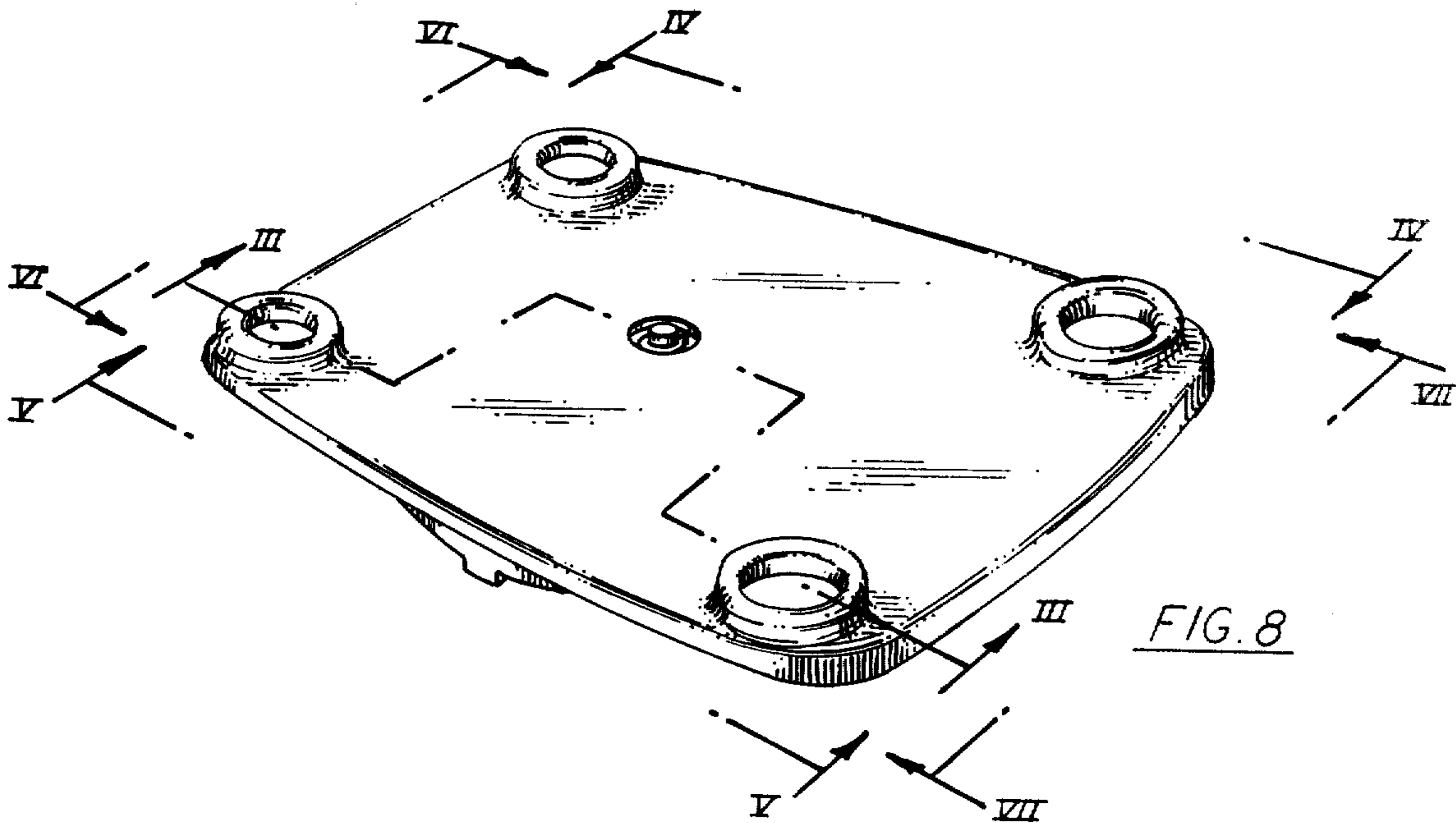


FIG. 8