

[54] PHONOGRAPH STYLUS

[75] Inventor: Tsugikuma Minamizono, Numazu, Japan  
[73] Assignee: The Astatic Corporation, Conneaut, Ohio

[\*\*] Term: 14 Years

[21] Appl. No.: 142,963

[22] Filed: Apr. 23, 1980

[51] Int. Cl. .... D14-01

[52] U.S. Cl. .... D14/28

[58] Field of Search ..... D14/1, 14, 28, 29;  
369/170-172

[56] References Cited

U.S. PATENT DOCUMENTS

D. 187,229	2/1960	Waxman	.....	D14/28
D. 198,974	8/1964	Stanton	.....	D14/28
D. 230,995	3/1974	Thomsen et al.	.....	D14/28
4,009,885	3/1977	Pritchard	.....	369/172

OTHER PUBLICATIONS

*High Fidelity*, 9-79, p. 75, Yamaha MC-1X.

Primary Examiner—Jane E. Corrigan  
Attorney, Agent, or Firm—Michael Williams

[57] CLAIM

The ornamental design for a phonograph stylus, substantially as shown and described.

DESCRIPTION

FIG. 1 is a front, top and right side perspective view of a phonograph stylus showing my new design;  
FIG. 2 is a top plan view;  
FIG. 3 is a bottom plan view;  
FIG. 4 is a rear elevational view;  
FIG. 5 is a right side elevational view;  
FIG. 6 is a sectional view, except for the needle, taken along line 6-6 in FIG. 2;  
FIG. 7 is a view like FIG. 1 with a needle guard attached;  
FIG. 8 is a view like FIG. 2 thereof;  
FIG. 9 is a view like FIG. 3 thereof;  
FIG. 10 is a view like FIG. 4 thereof;  
FIG. 11 is a view like FIG. 5 thereof;  
FIG. 12 is a view like FIG. 11 with the needle guard rotated 90°; and  
FIG. 13 is a view like FIG. 6 with the needle guard in the position of FIGS. 7-11.

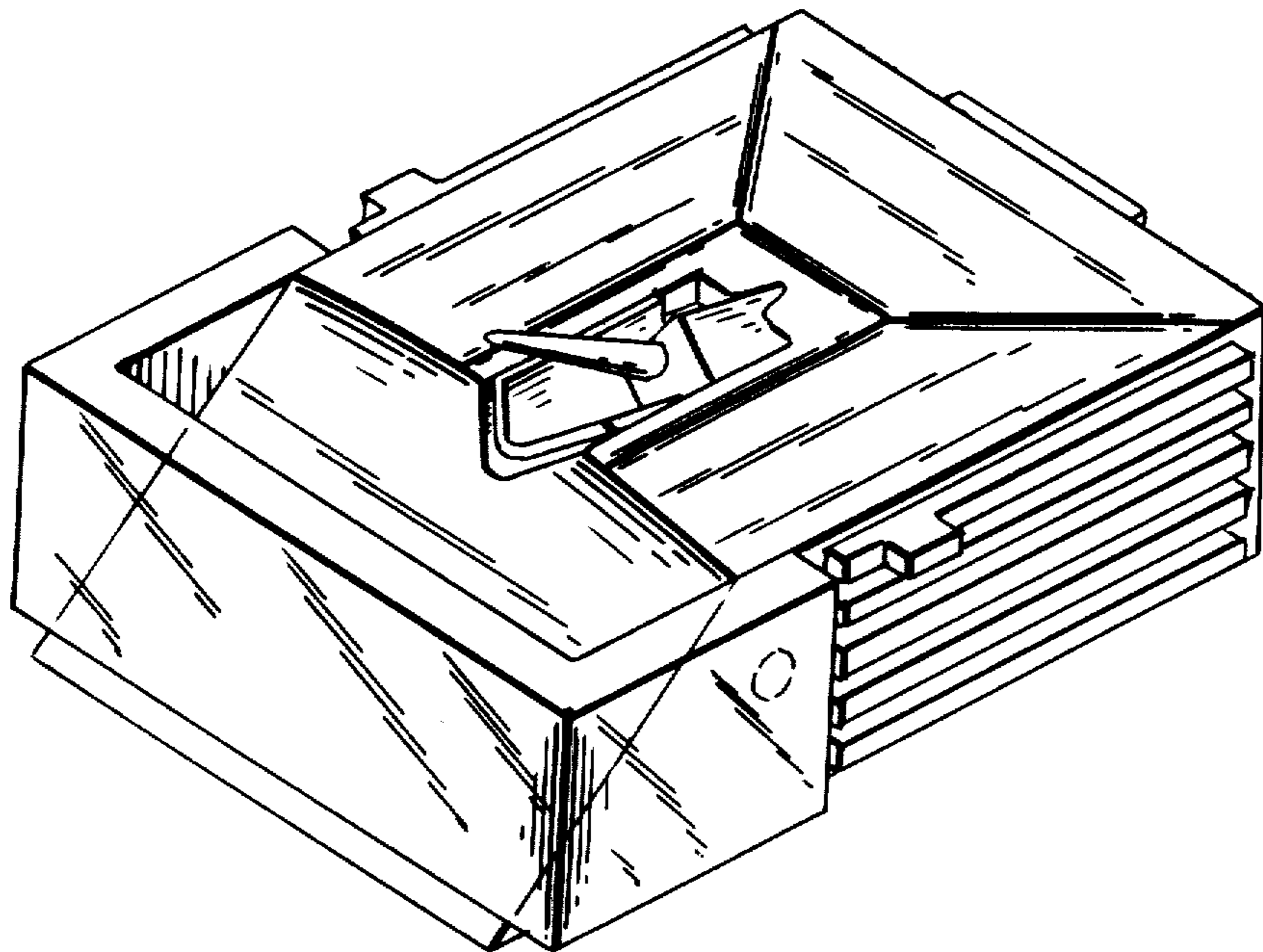


FIG. 1.

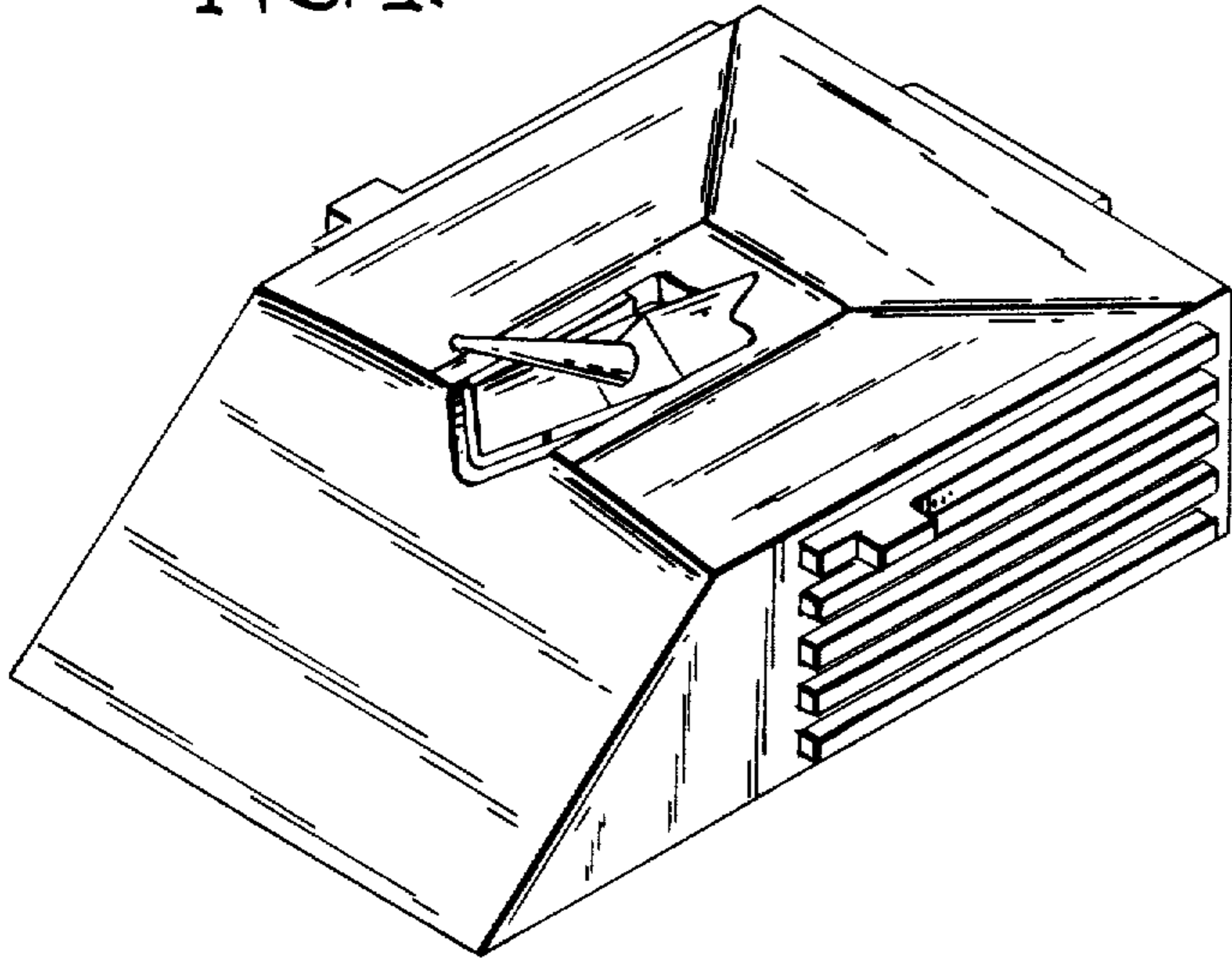


FIG. 4.

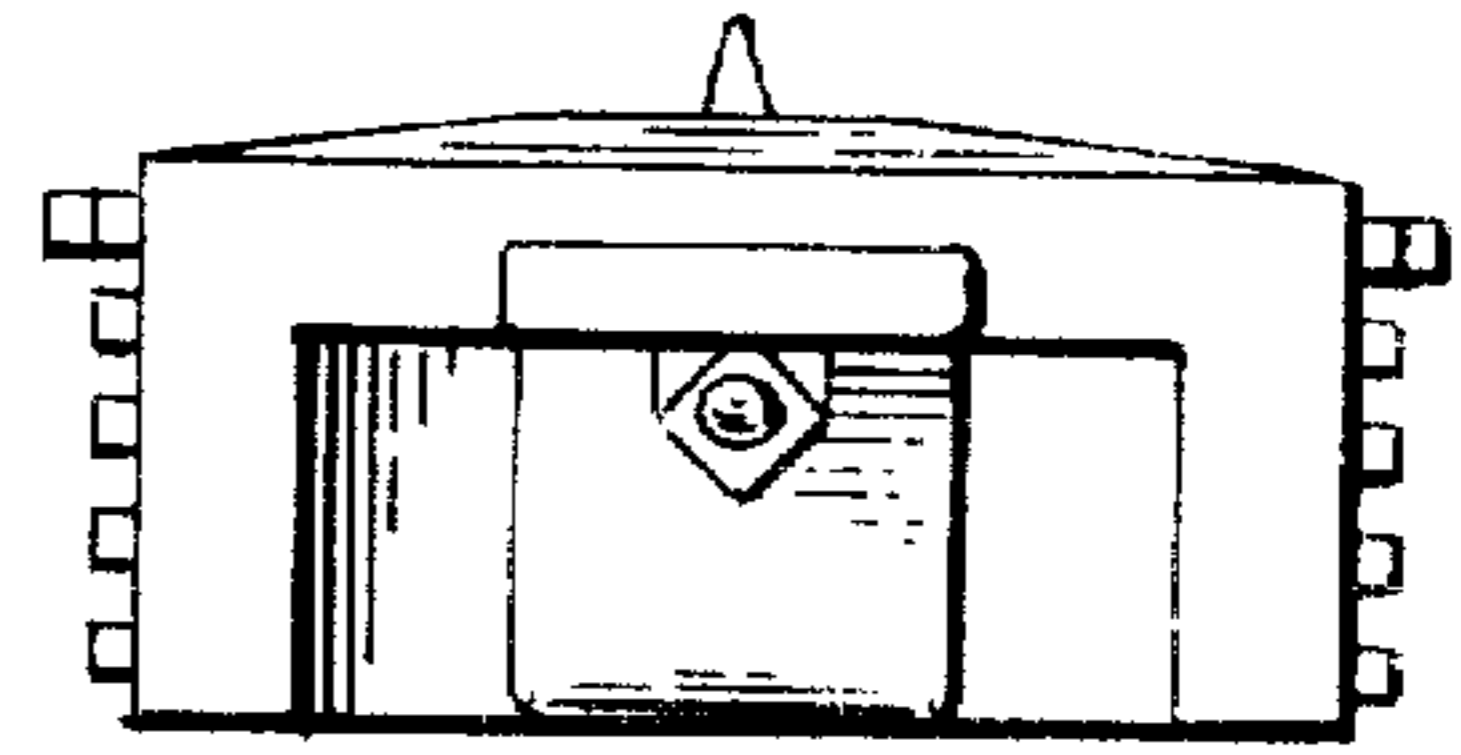


FIG. 2.

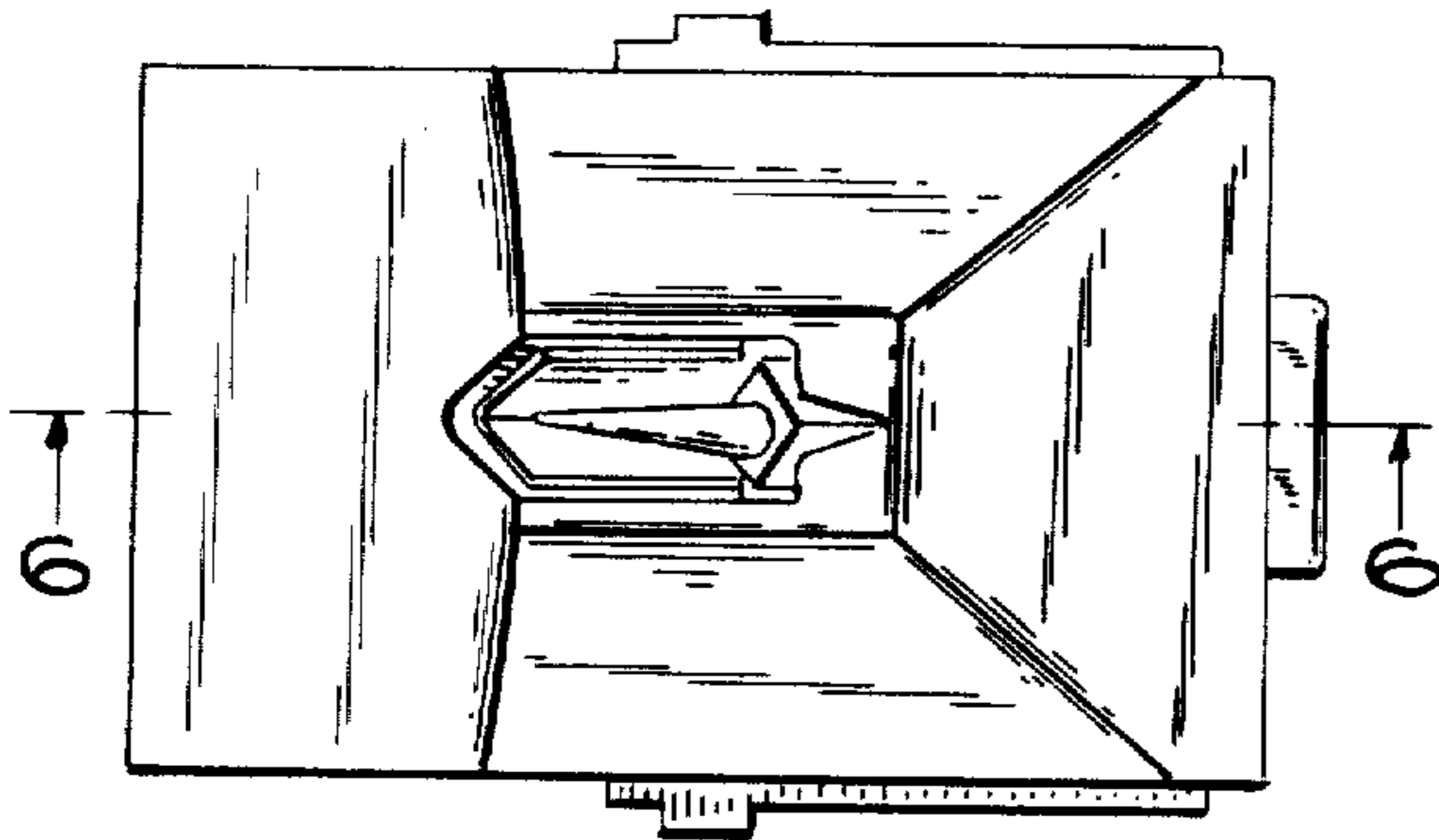


FIG. 3.

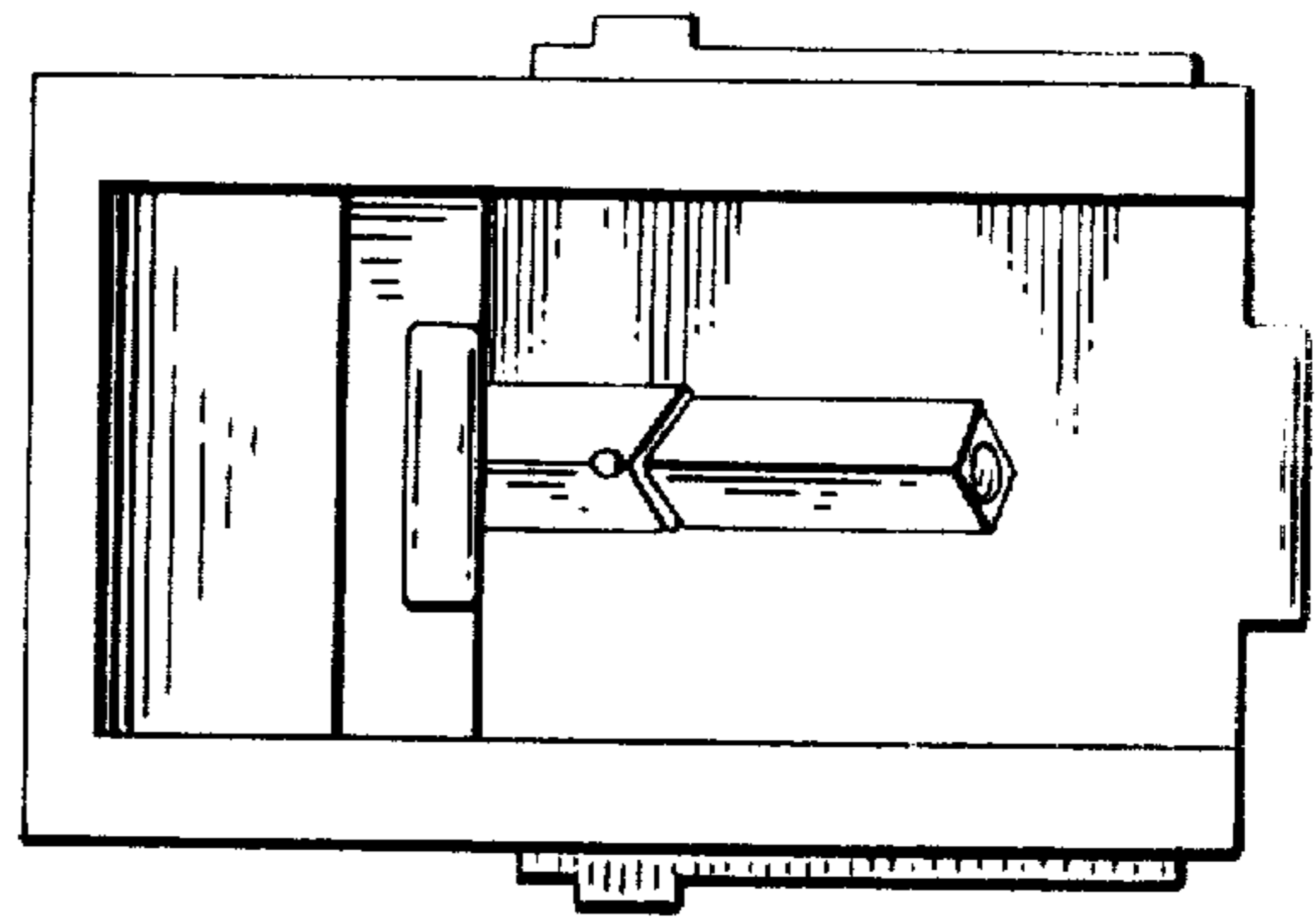


FIG. 5.

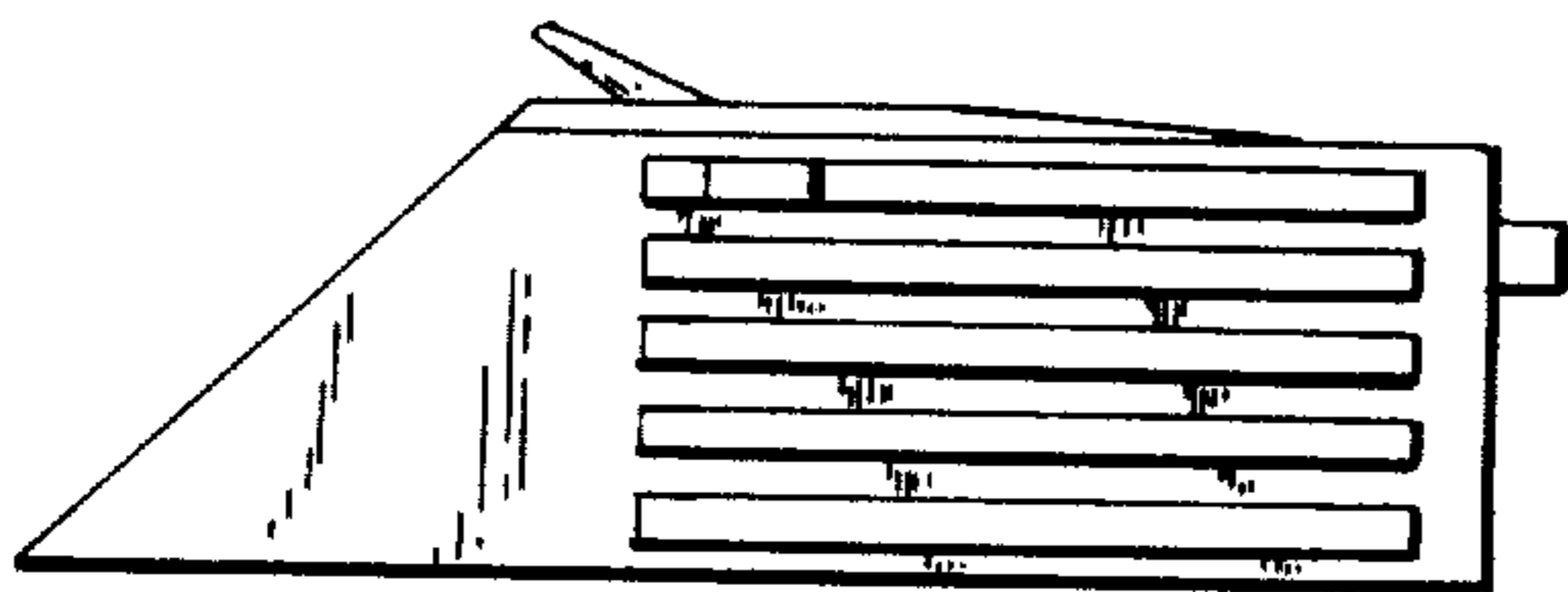


FIG. 6.

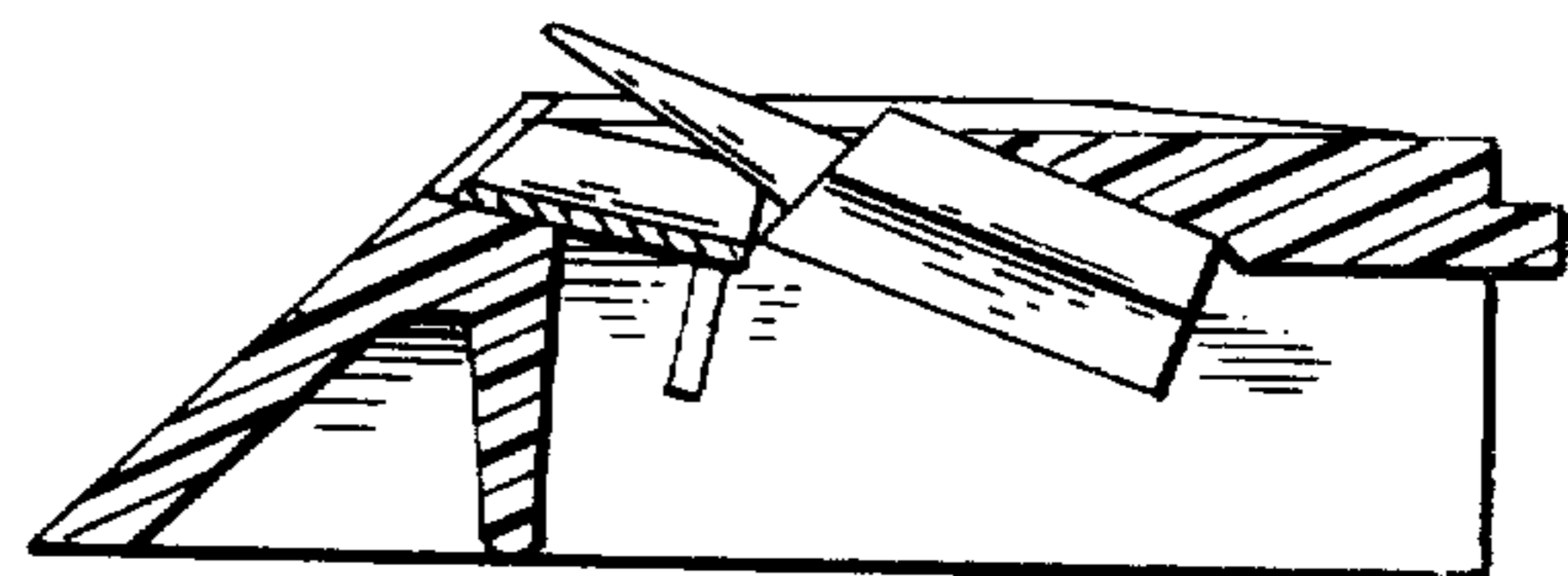


FIG. 7.

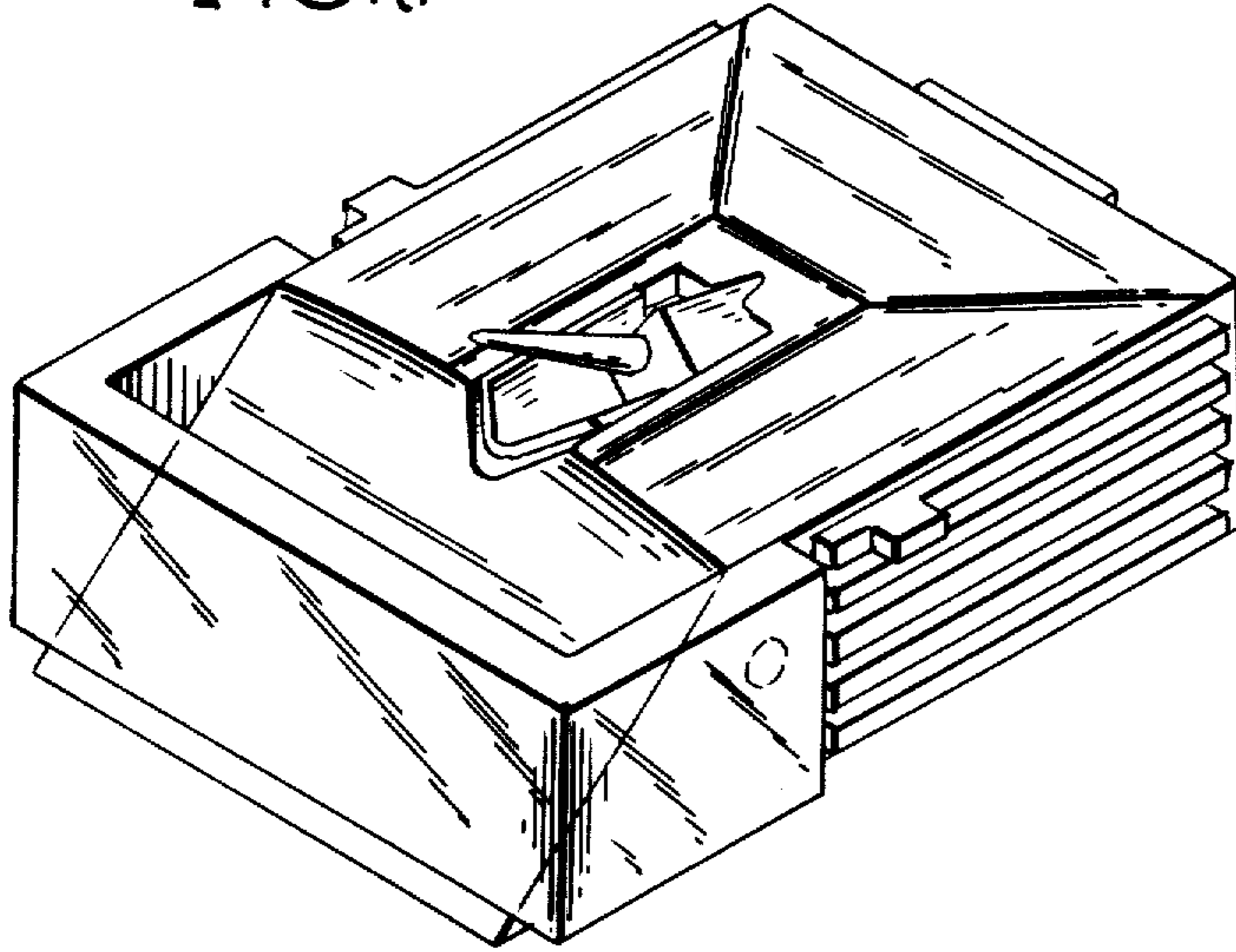


FIG. 10.

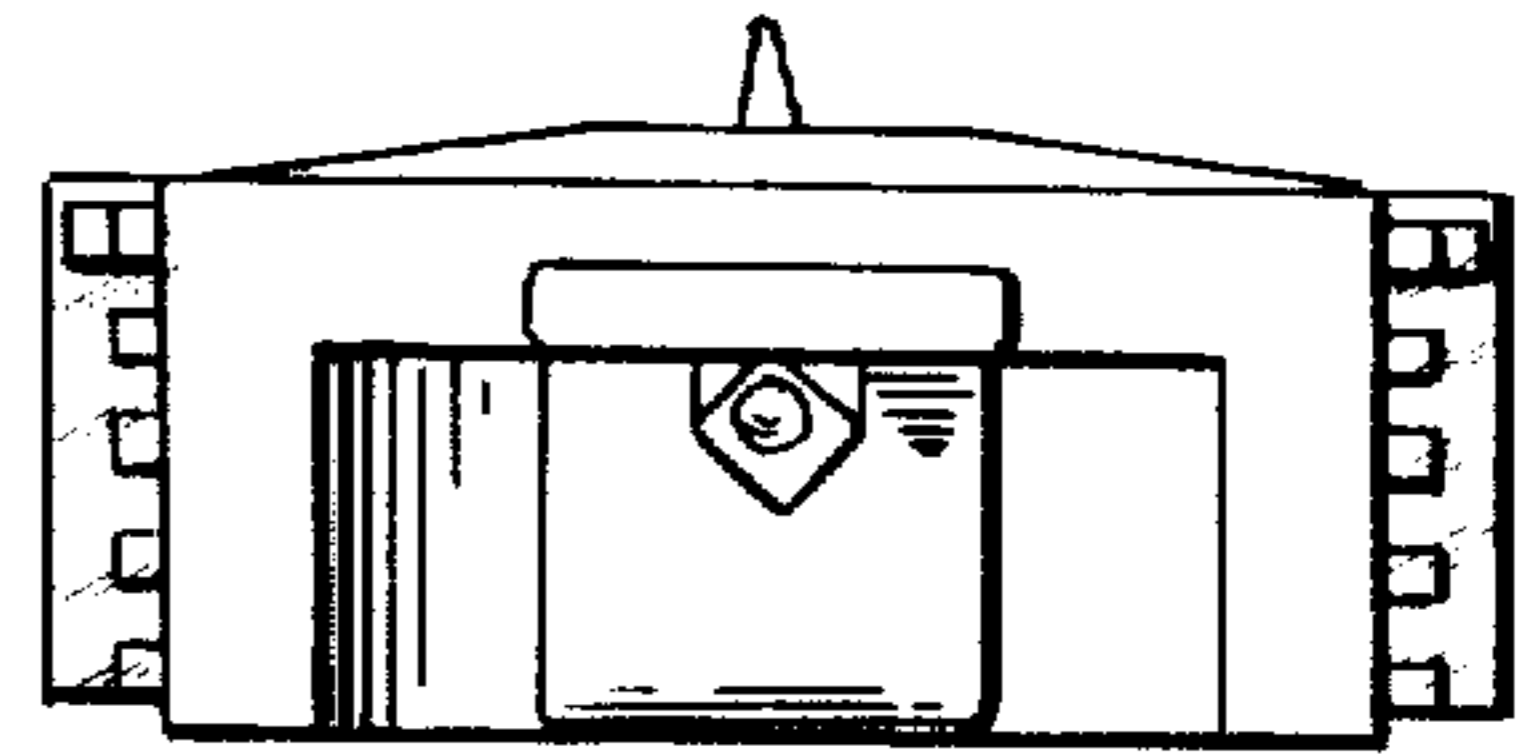


FIG. 8.

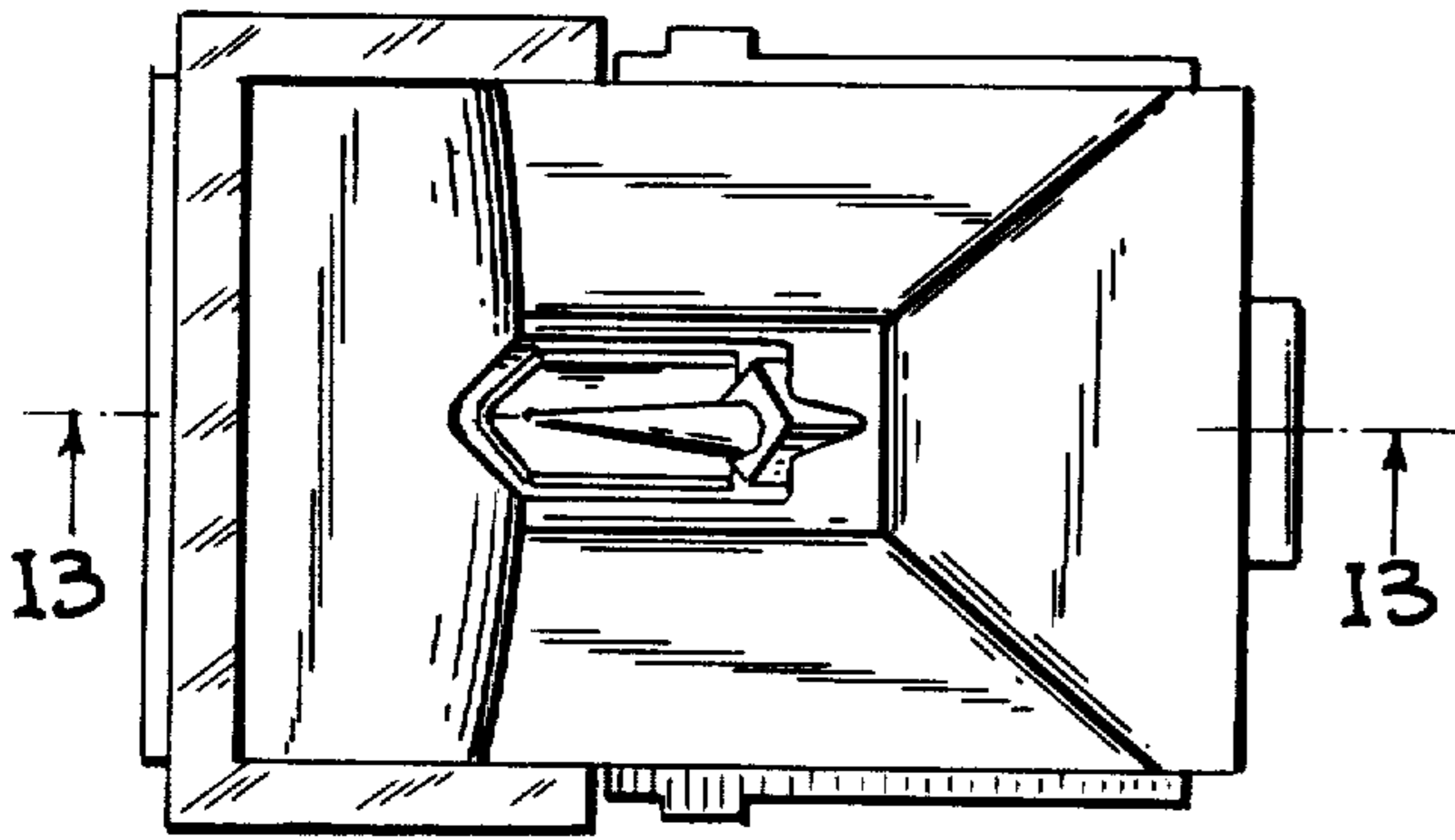


FIG. 9.

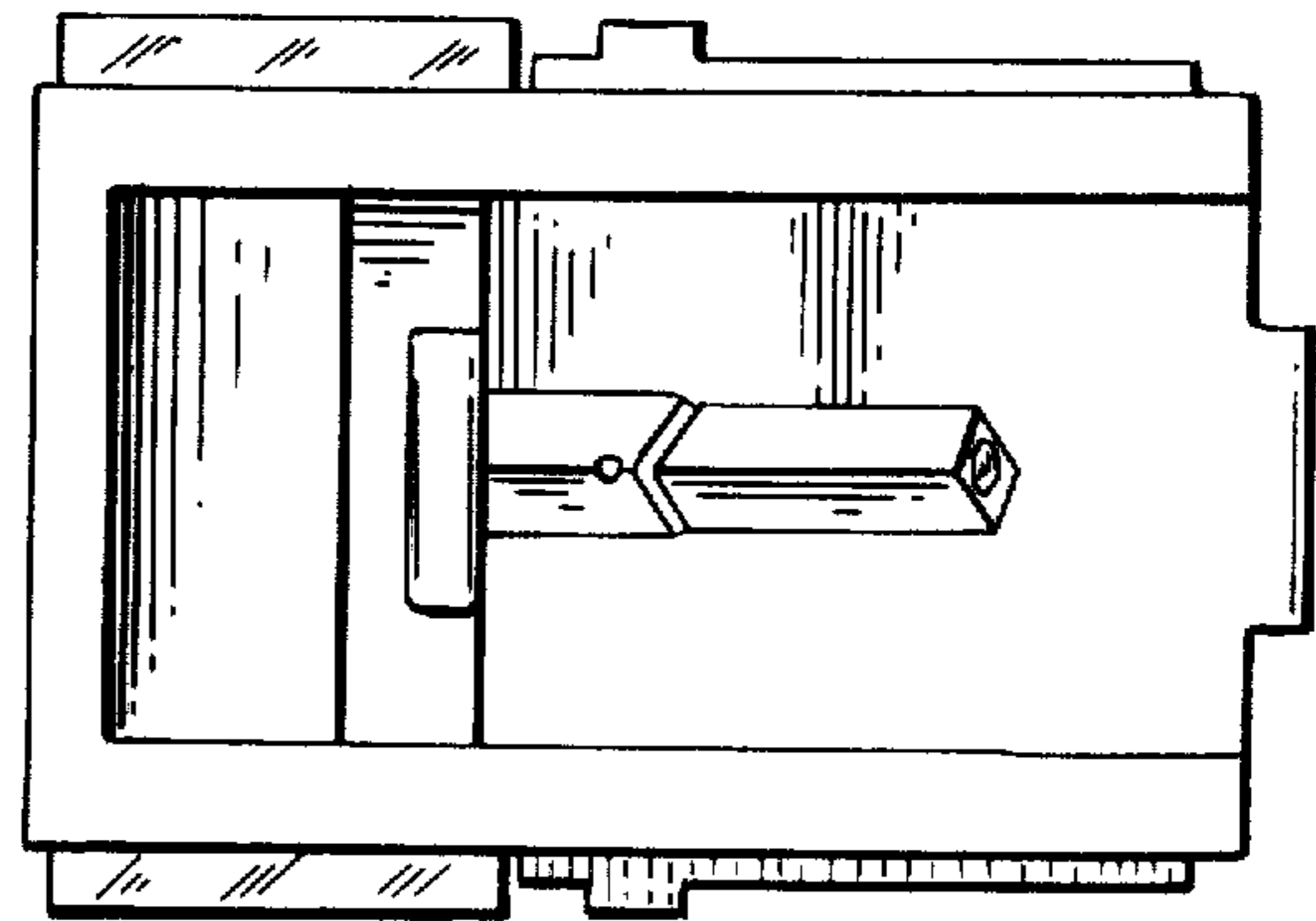


FIG. 11.

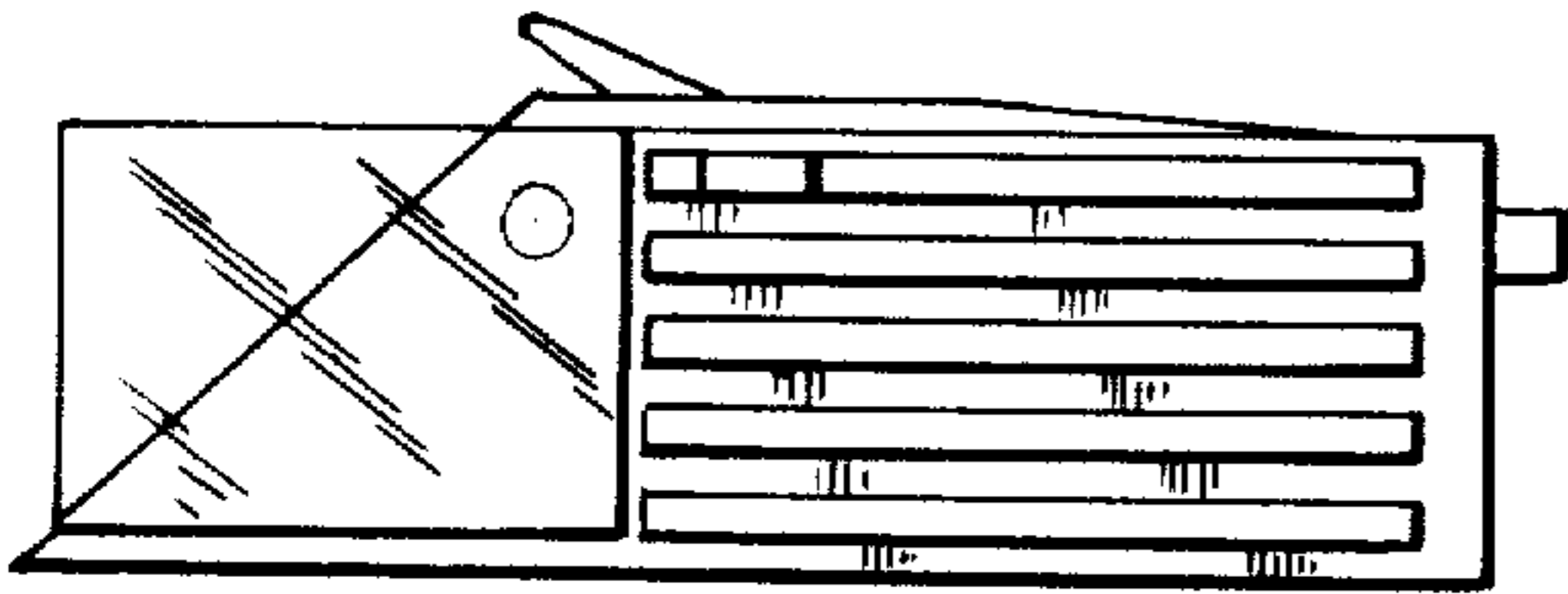


FIG. 13.

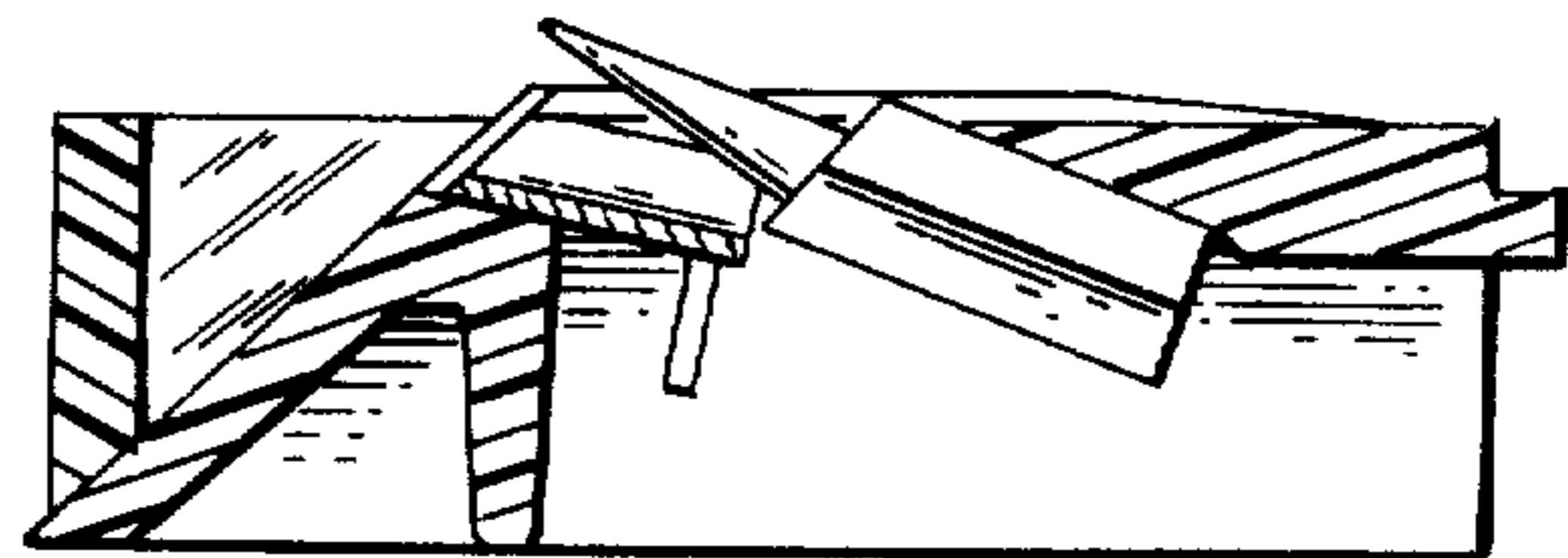


FIG. 12.

