

[54] INVALID CHAIR

[76] Inventors: Brent L. Twitchell, 3451 W. 4400 South, Granger, Utah 84120; Kendel S. Twitchell, 1569 Shenandoah Cr., Murray, Utah 84107

[**] Term: 14 Years

[21] Appl. No.: 94,376

[22] Filed: Nov. 15, 1979

[51] Int. Cl. D12-12

[52] U.S. Cl. D12/131

[58] Field of Search D12/131; 180/DIG. 3; 297/DIG. 4; 280/242 WC

[56] References Cited

U.S. PATENT DOCUMENTS

D. 219,101 11/1970 Goletski D12/131

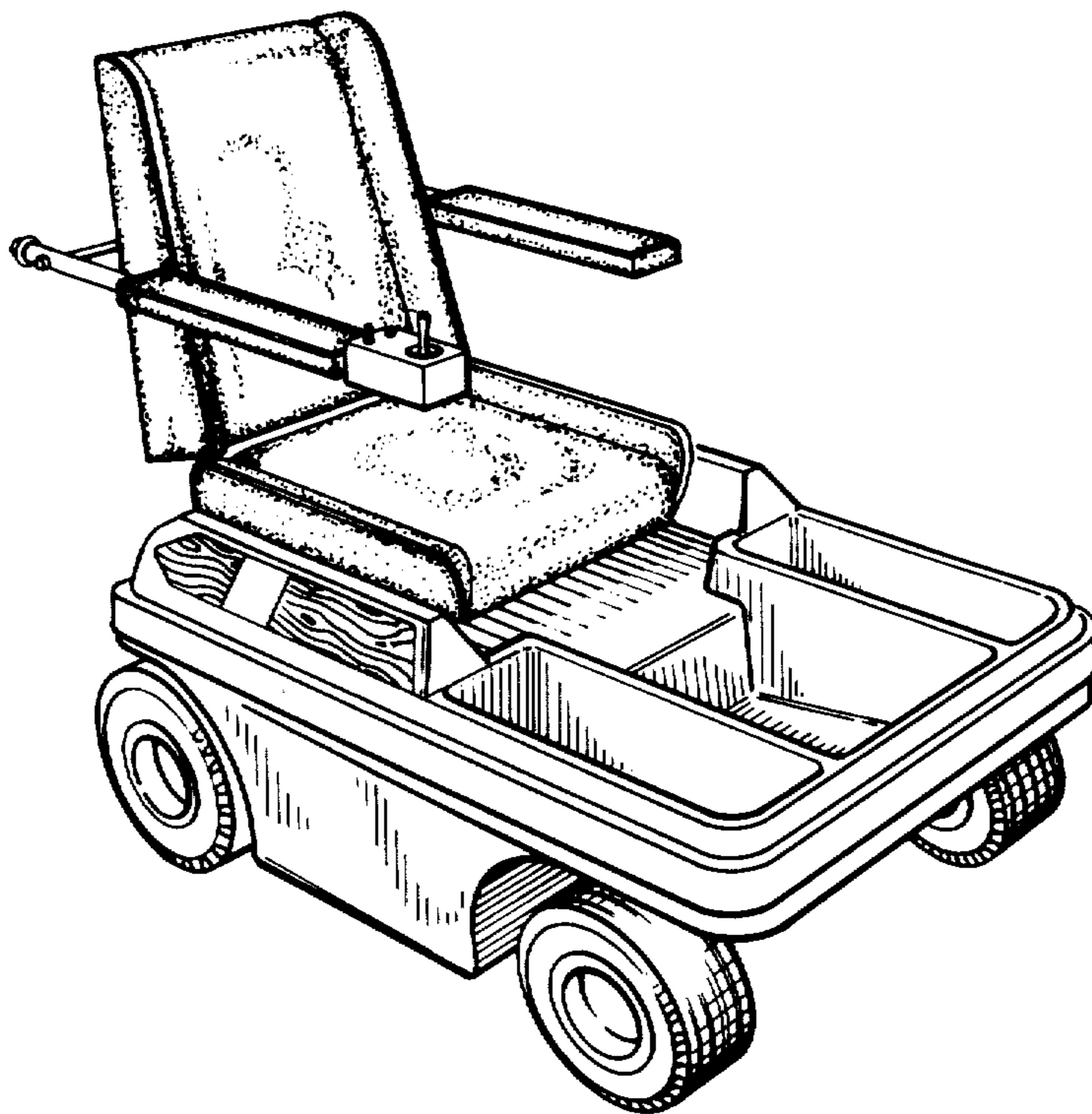
Primary Examiner—James M. Gandy
Attorney, Agent, or Firm—M. Reid Russell

[57] CLAIM

The ornamental design for an invalid chair, as shown.

DESCRIPTION

FIG. 1, is a perspective view of the invalid chair showing our new design;
FIG. 2, is a right-side elevation view thereof;
FIG. 3, is a left-side elevation view thereof;
FIG. 4, a top plan view thereof;
FIG. 5, a bottom plan view thereof;
FIG. 6, a front elevation view thereof; and
FIG. 7, a rear elevation view thereof.



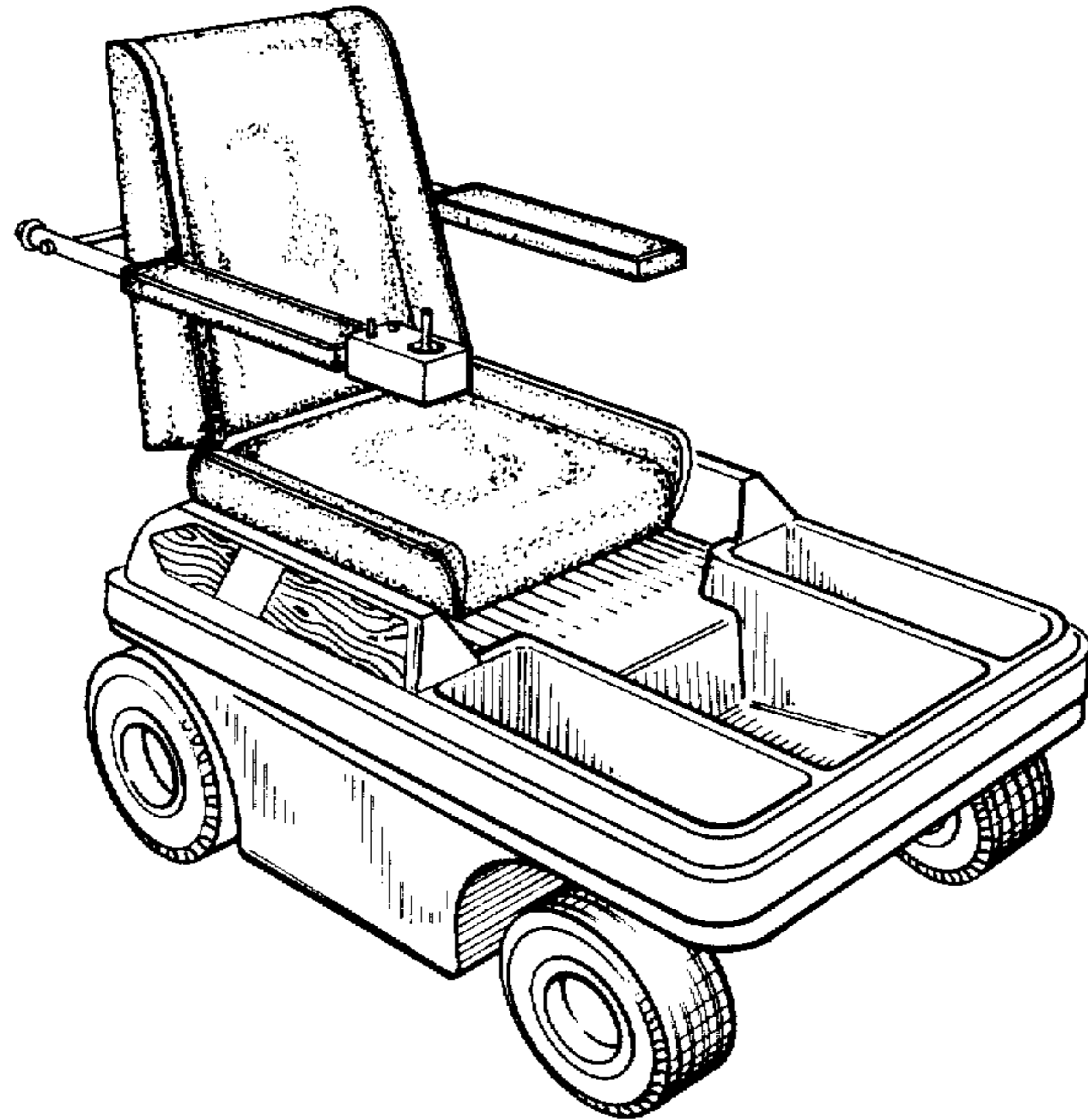


FIG. 1

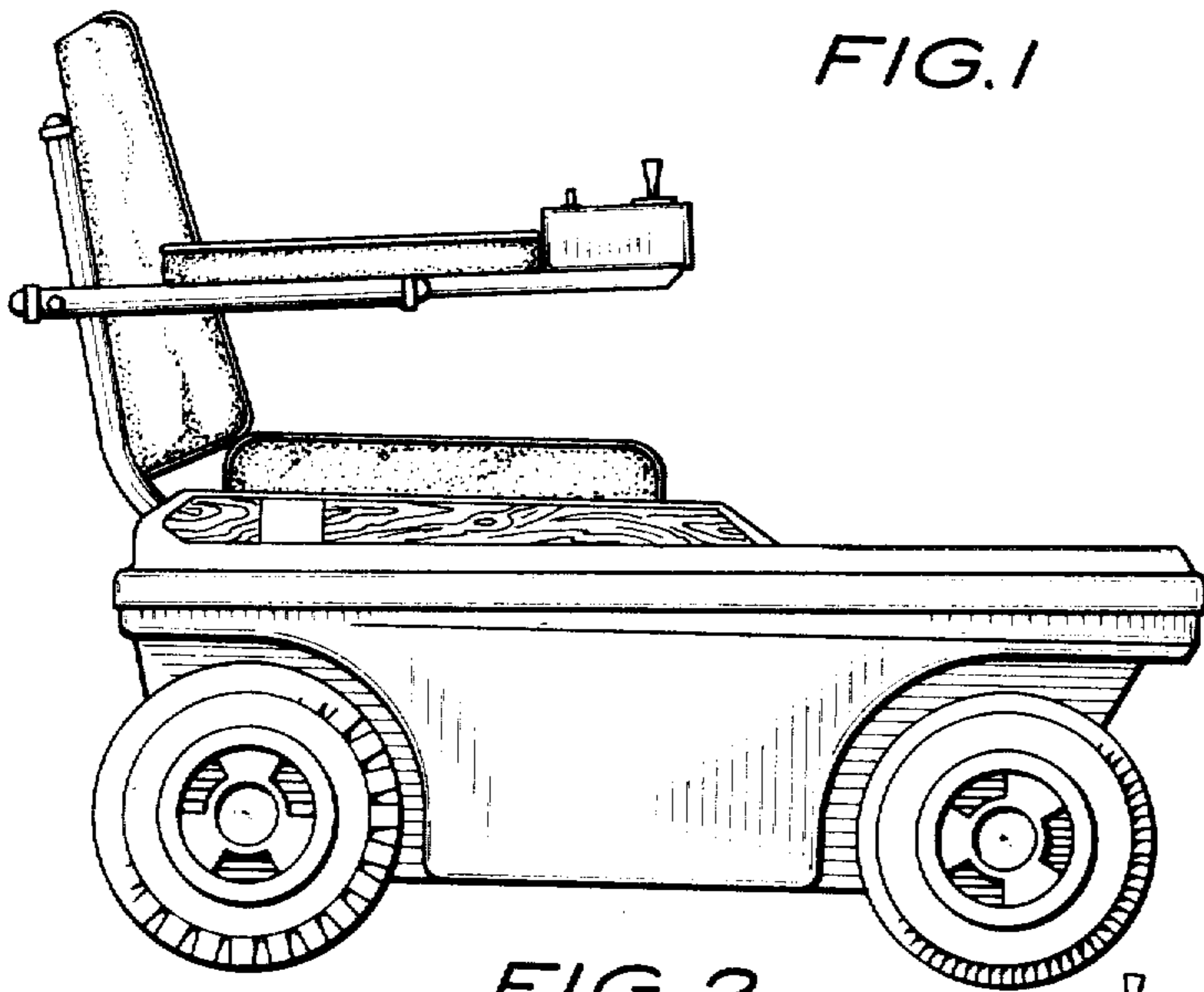


FIG. 2

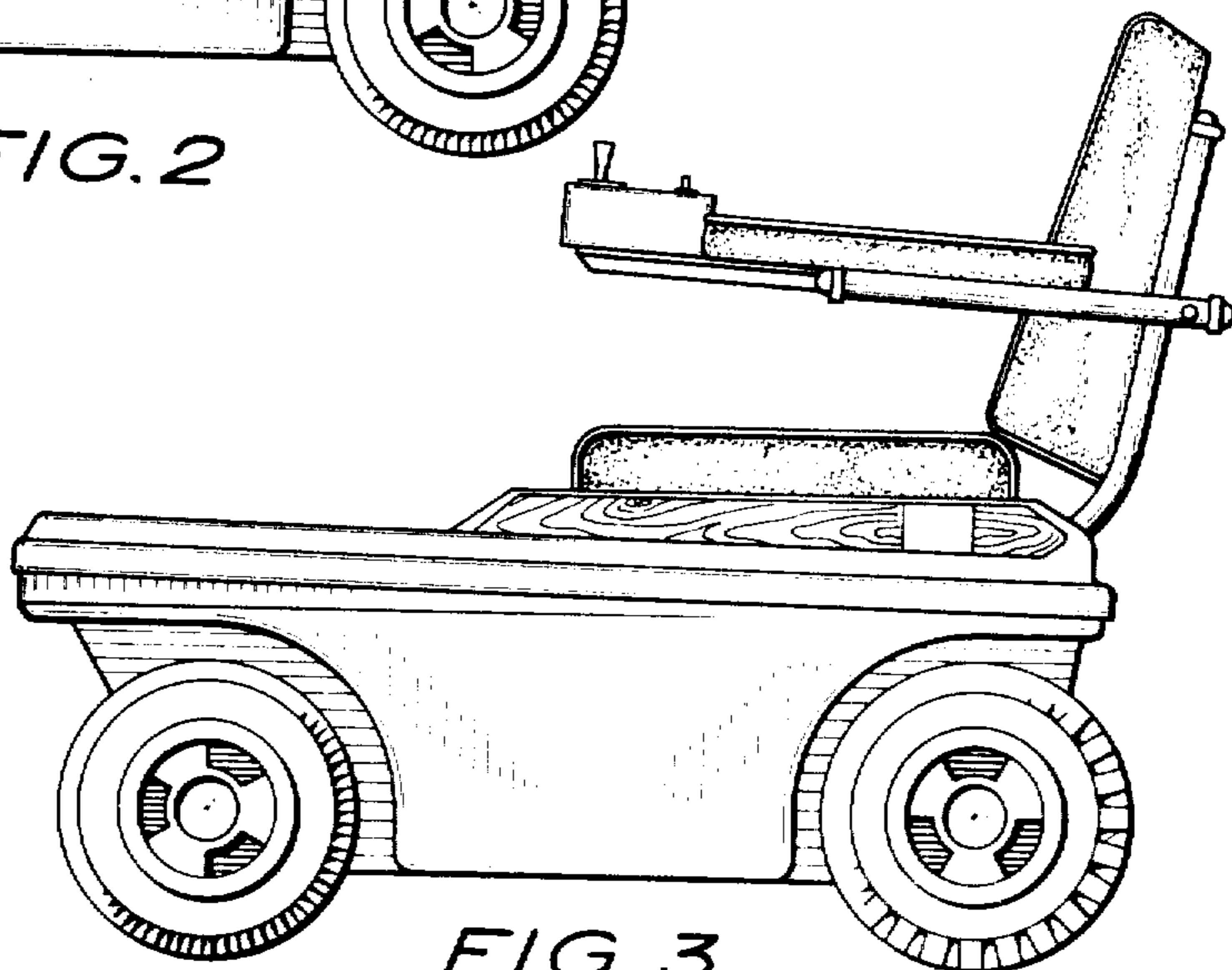


FIG. 3

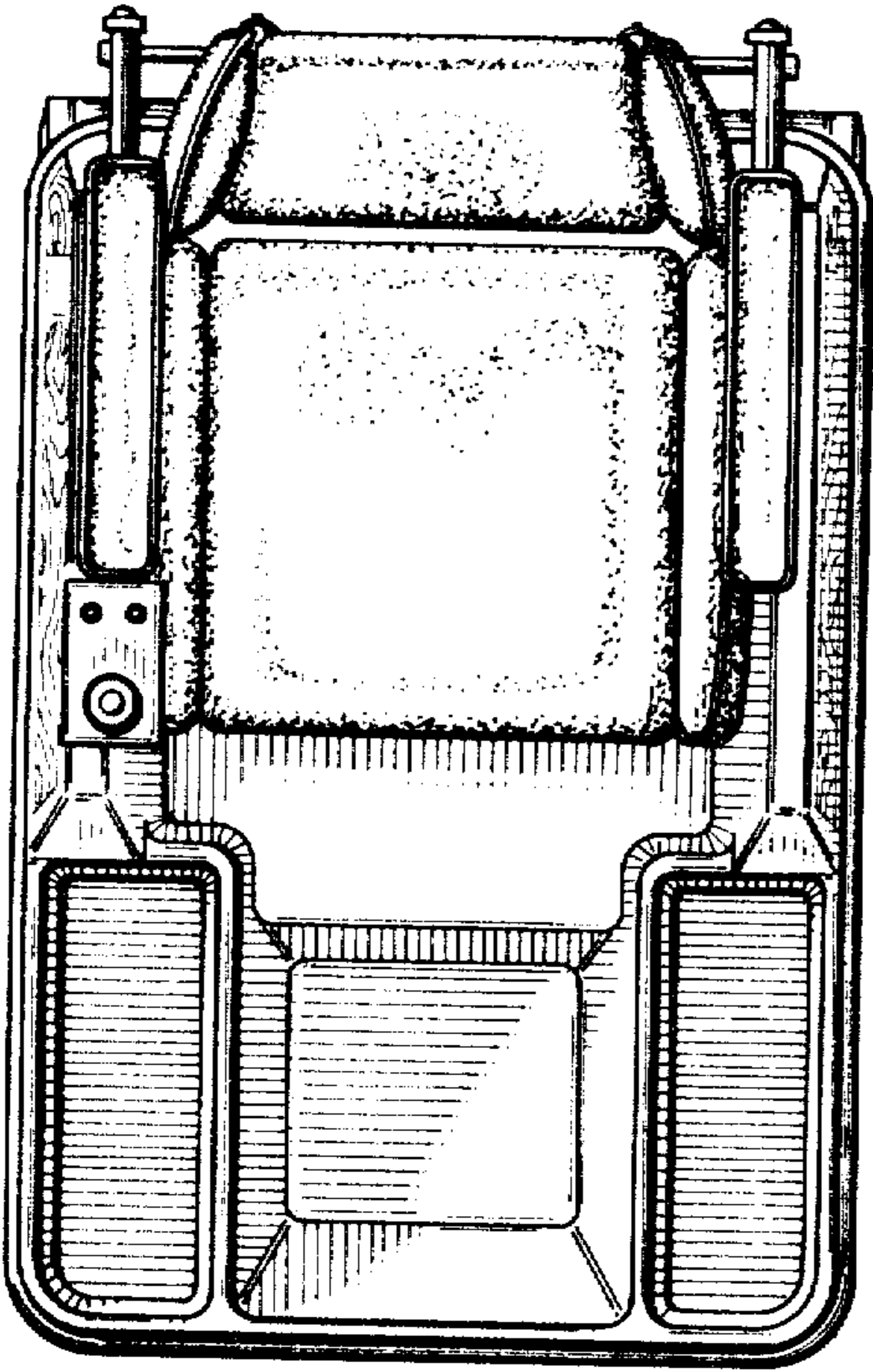


FIG. 4

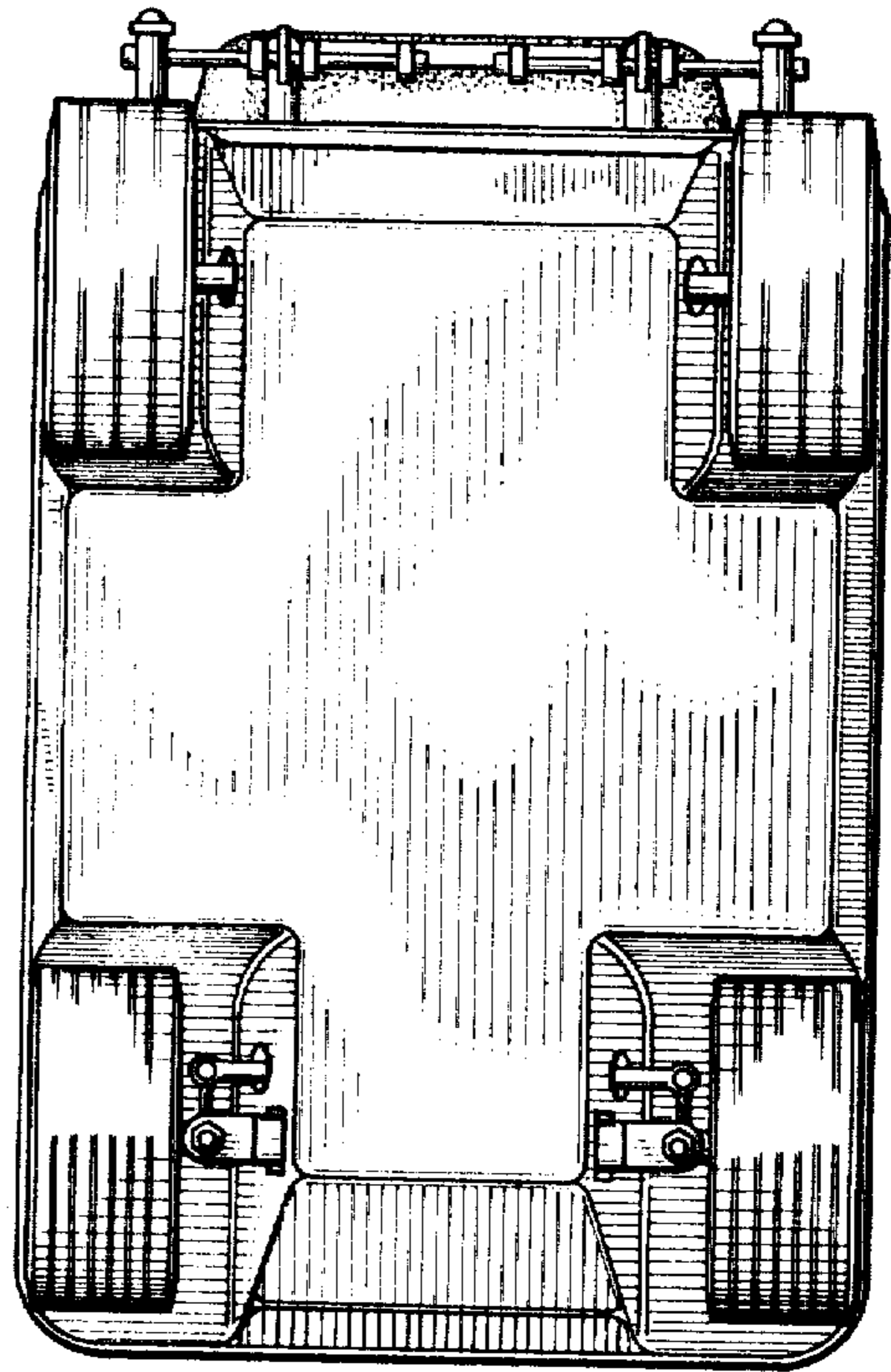


FIG. 5

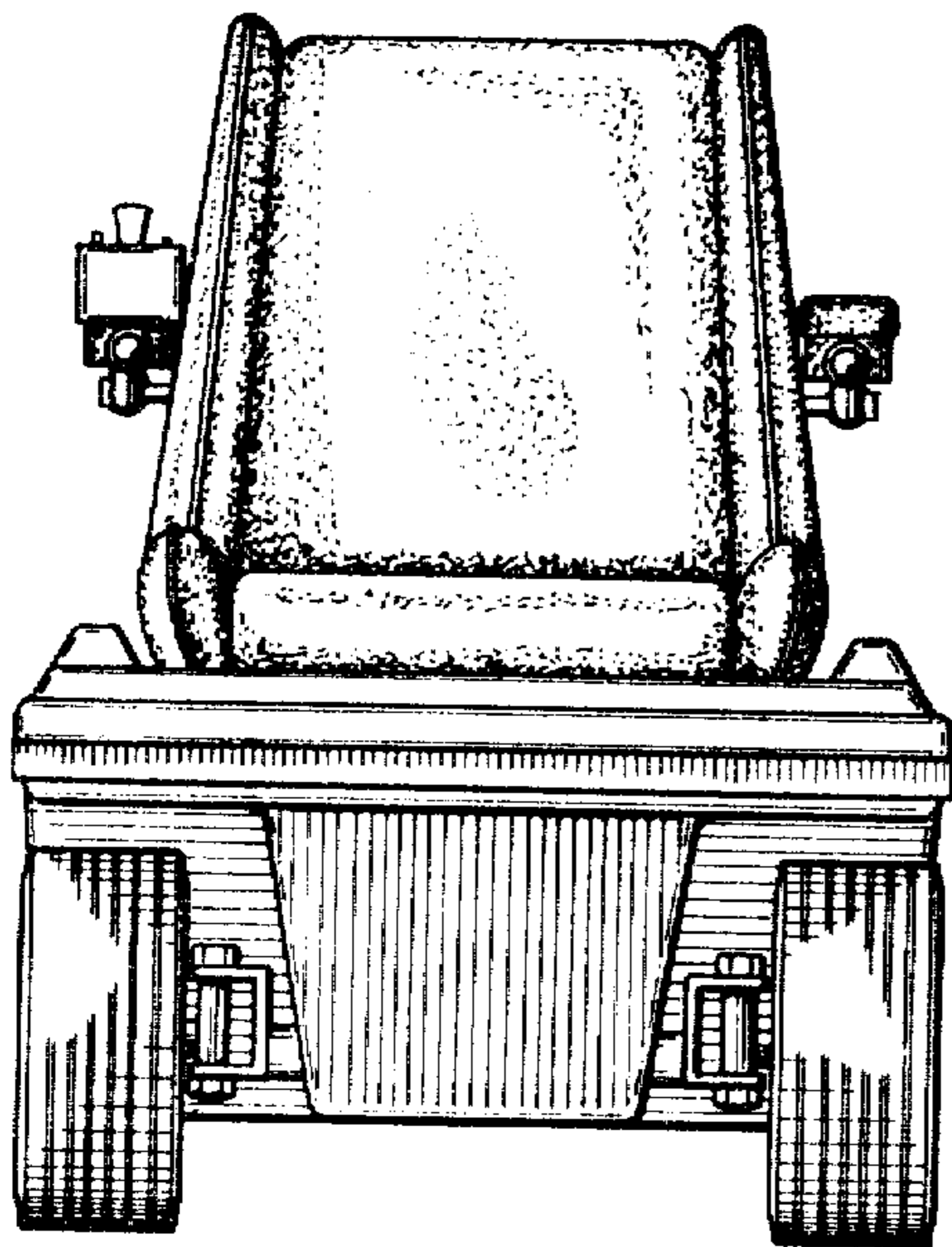


FIG. 6

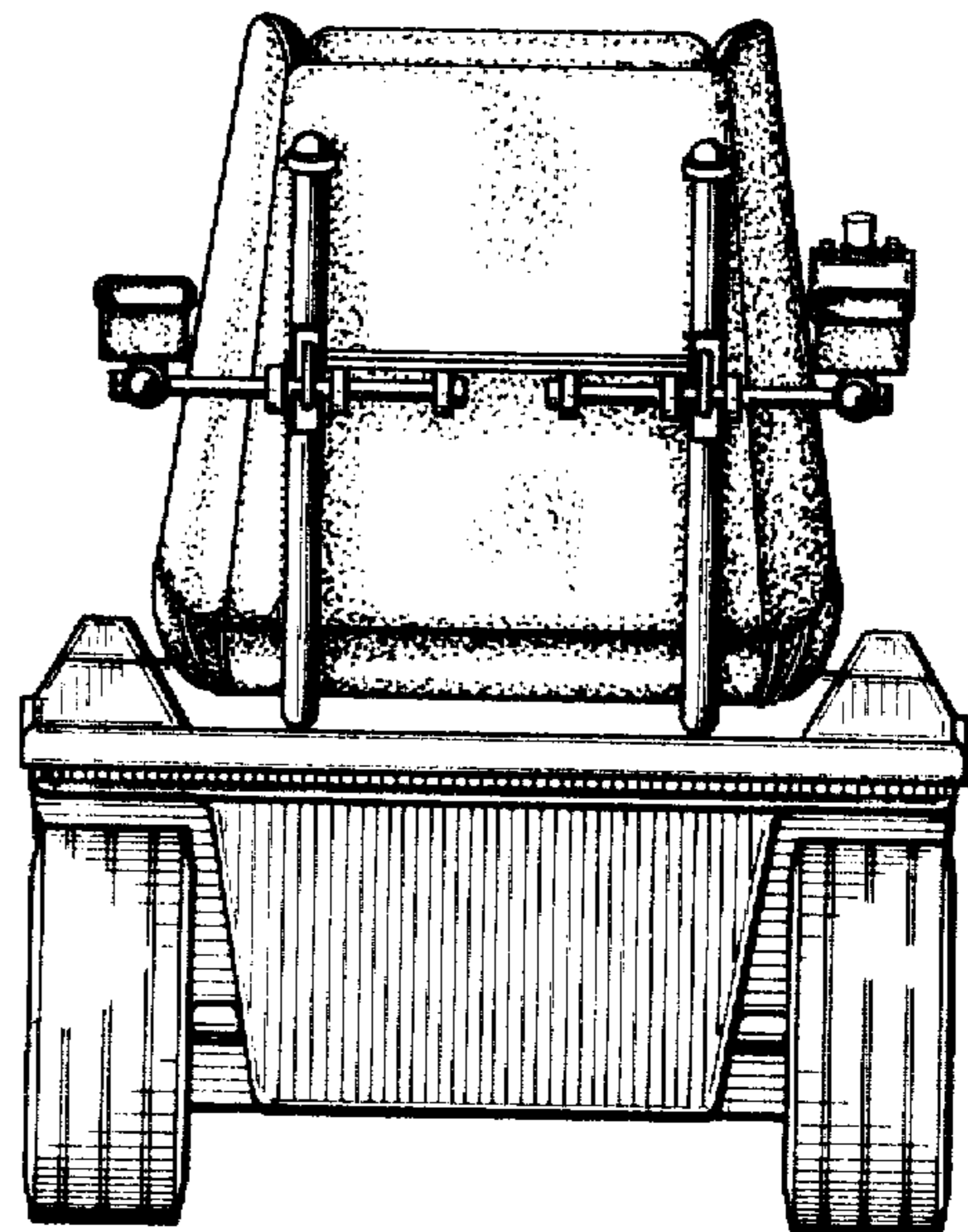


FIG. 7