

[54] MARINE SLIDE

[75] Inventor: Carl A. Merry, Marion, Mass.

[73] Assignee: Schaefer Marine, Inc., New Bedford, Mass.

[\*\*] Term: 14 Years

[21] Appl. No.: 111,765

[22] Filed: Jan. 14, 1980

[51] Int. Cl. .... D8-08

[52] U.S. Cl. .... D8/382; D8/356; D25/74

[58] Field of Search ..... D8/354, 356, 382, 383, D8/400; 114/218, 204; 254/394; D25/74

[56] References Cited

U.S. PATENT DOCUMENTS

4,147,122 4/1979 Merry ..... 114/218

OTHER PUBLICATIONS

Goldberg's Marine 1978, Discount Accessory Catalog, ©1977, p. 177, item "G" slide.

Primary Examiner—A. Hugo Word  
Attorney, Agent, or Firm—Cesari and McKenna

[57] CLAIM

The ornamental design of a marine slide, substantially as shown and described.

DESCRIPTION

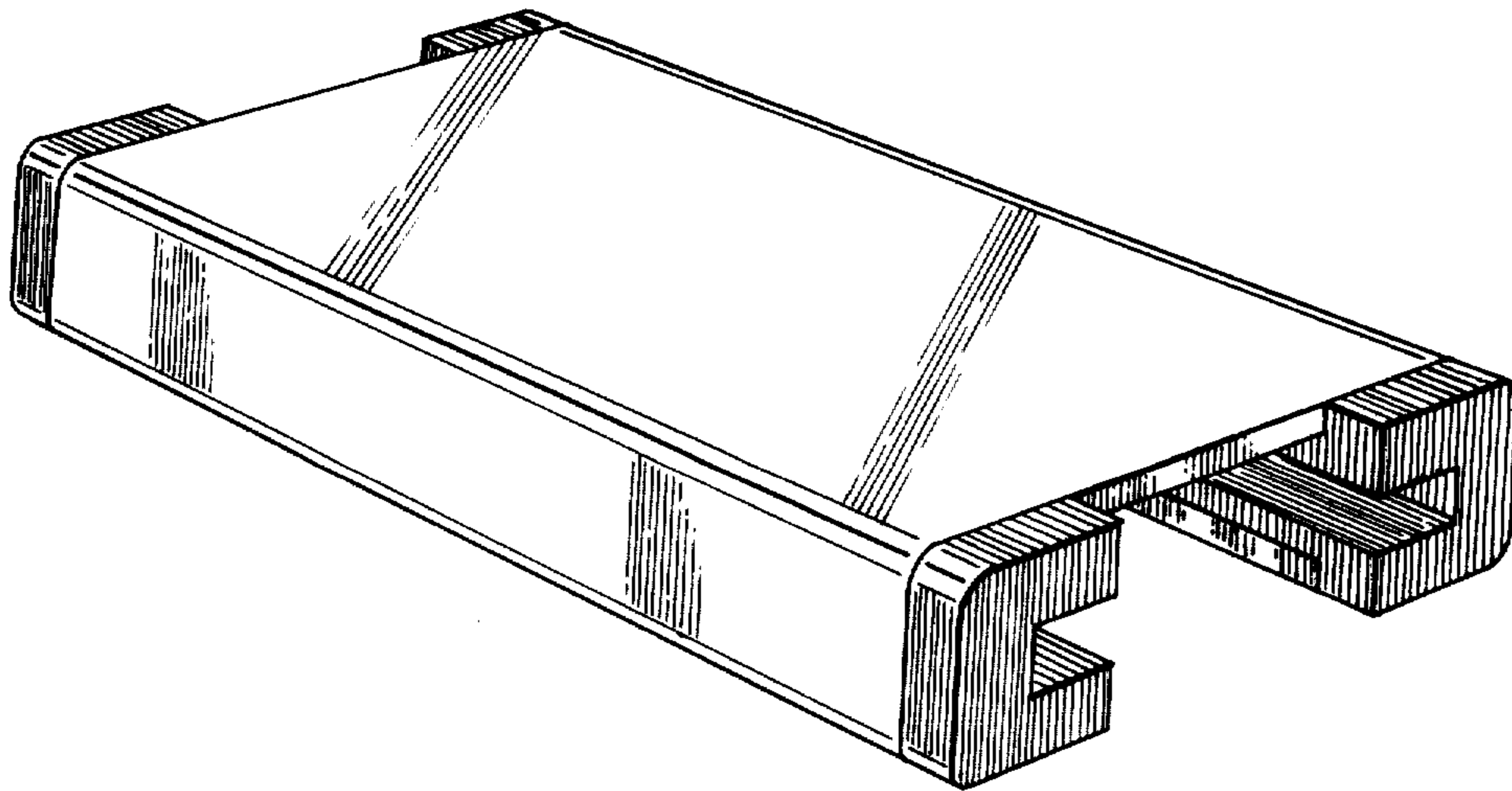
FIG. 1 is an isometric view from above showing a marine slide embodying the ornamental features of my new design;

FIG. 2 is a top view thereof;

FIG. 3 is an end view thereof; and

FIG. 4 is a bottom view thereof.

The side and end not shown are the same as the side and end shown.



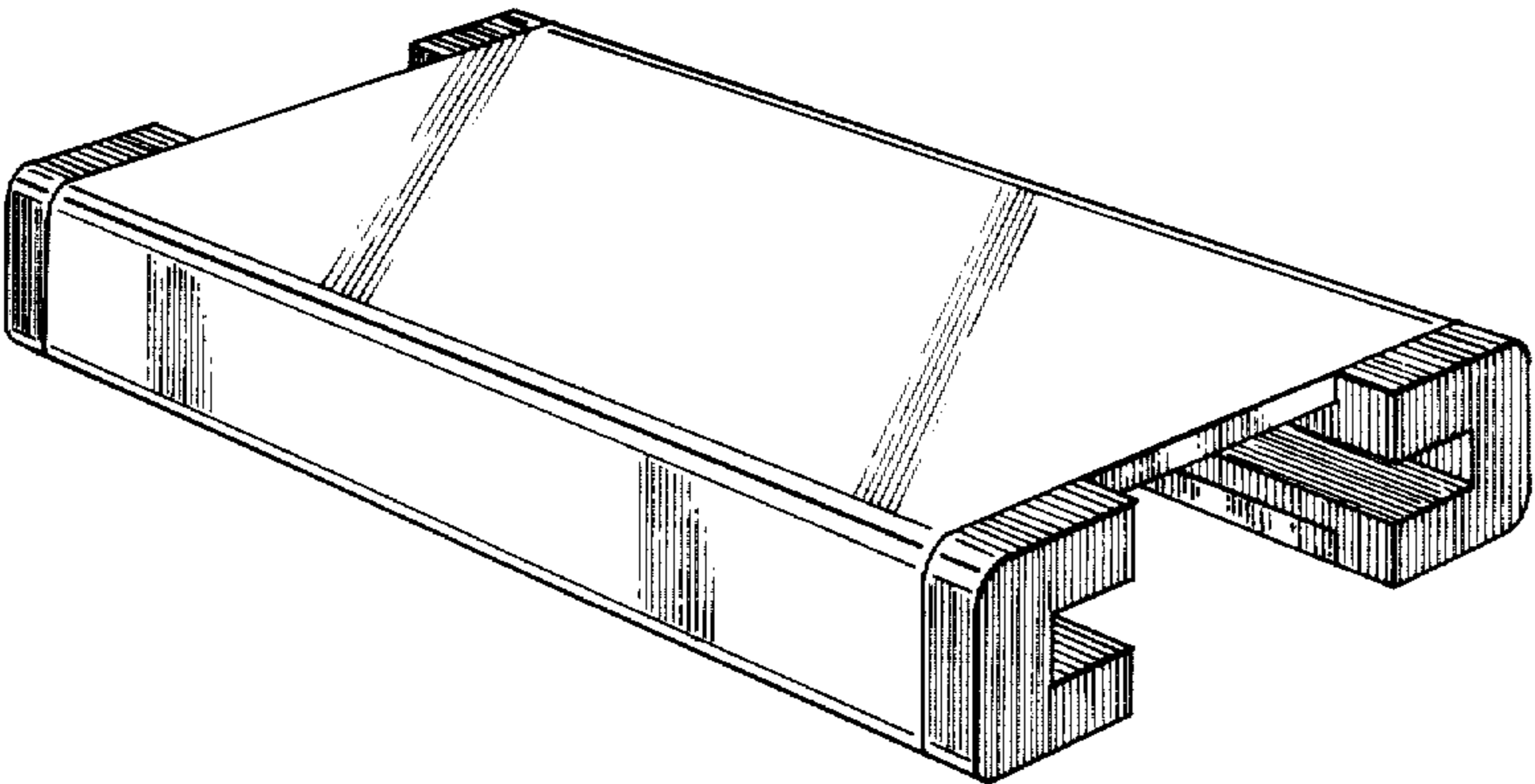


Fig. 1

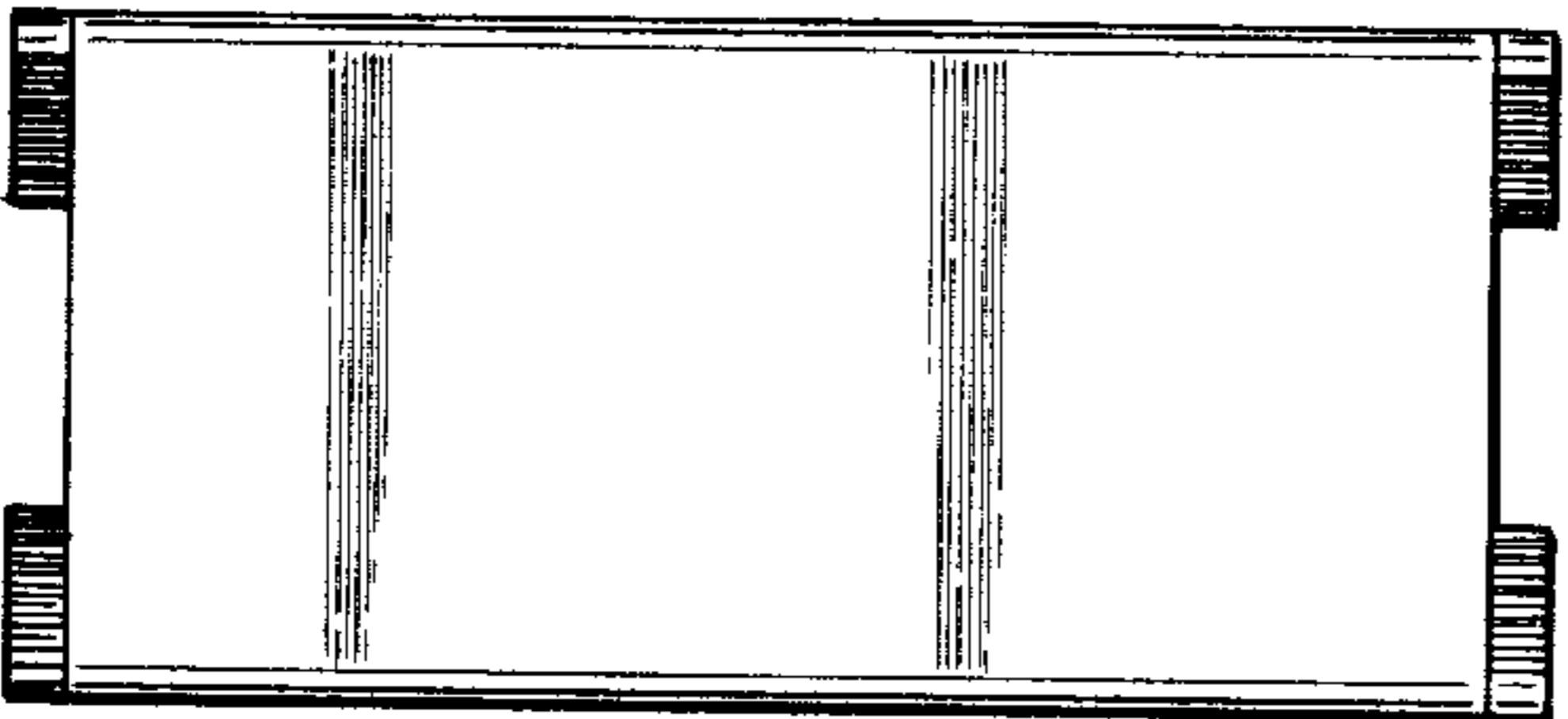


Fig. 2

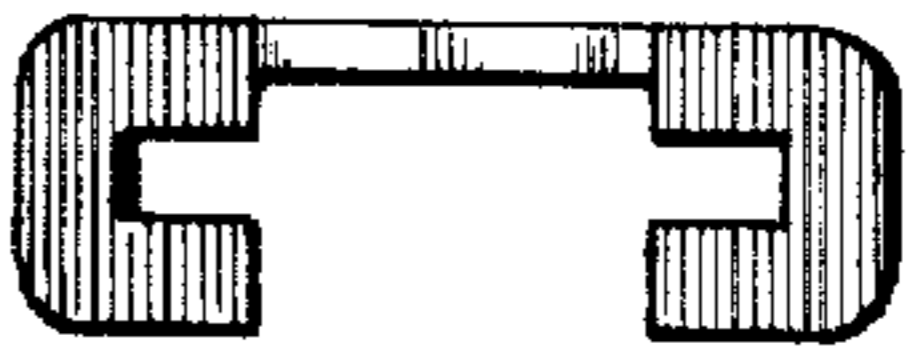


Fig. 3

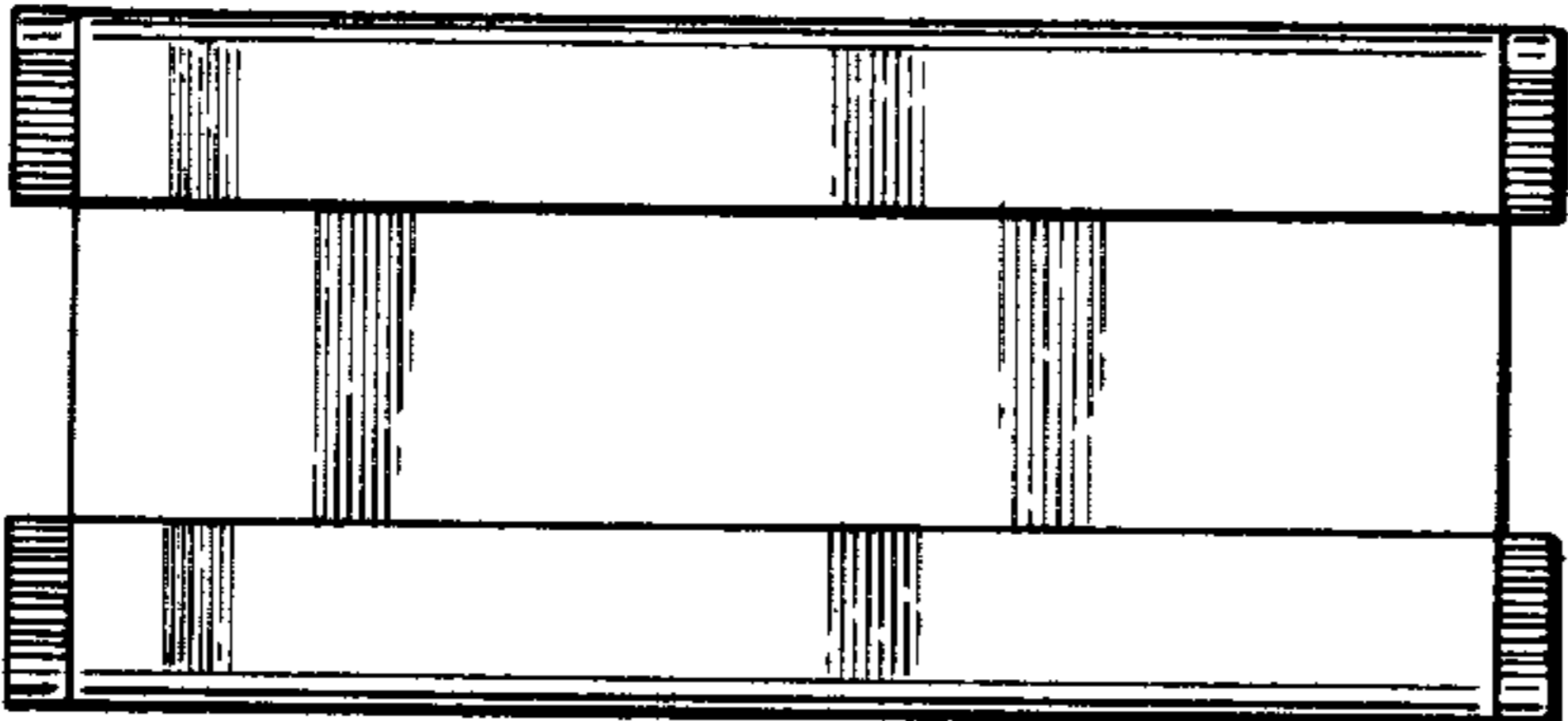


Fig. 4