

[54] PULL TAB REMOVER

[76] Inventor: Paul F. Reel, 836 Adams St., NW., Warren, Ohio 44482

[\*\*] Term: 14 Years

[21] Appl. No.: 146,628

[22] Filed: May 5, 1980

[51] Int. Cl. .... D07-99

[52] U.S. Cl. .... D8/40; D8/48; D28/60

[58] Field of Search ..... D8/18, 33, 39, 40, 48; D28/60; 30/26, 28; 254/28; 81/3.3 A, 3.34, 3.36, 3.4, 3.41, 3.46 R, 3.46 A, 3.47, 3.48; 7/151, 152, 153

[56] References Cited

U.S. PATENT DOCUMENTS

D. 137,940 5/1944 Polzer ..... D8/48

1,366,045 1/1921 White et al. .... 81/3.47  
2,079,672 5/1937 Allen et al. .... 254/28  
3,997,966 12/1976 Sartore ..... 30/28  
4,062,109 12/1977 Min ..... 30/28

Primary Examiner—Joel Stearman  
Assistant Examiner—Carmen H. Vales  
Attorney, Agent, or Firm—Michael Williams

[57] CLAIM

The ornamental design for pull tab remover, substantially as shown and described.

DESCRIPTION

FIG. 1 is a perspective view of a pull tab remover, showing my new design;  
FIG. 2 is a side elevational view, the opposite side being a mirror image thereof;  
FIG. 3 is a left end elevational view of FIG. 2;  
FIG. 4 is a right end elevational view of FIG. 2;  
FIG. 5 is a top plan view thereof; and  
FIG. 6 is a bottom plan view thereof.

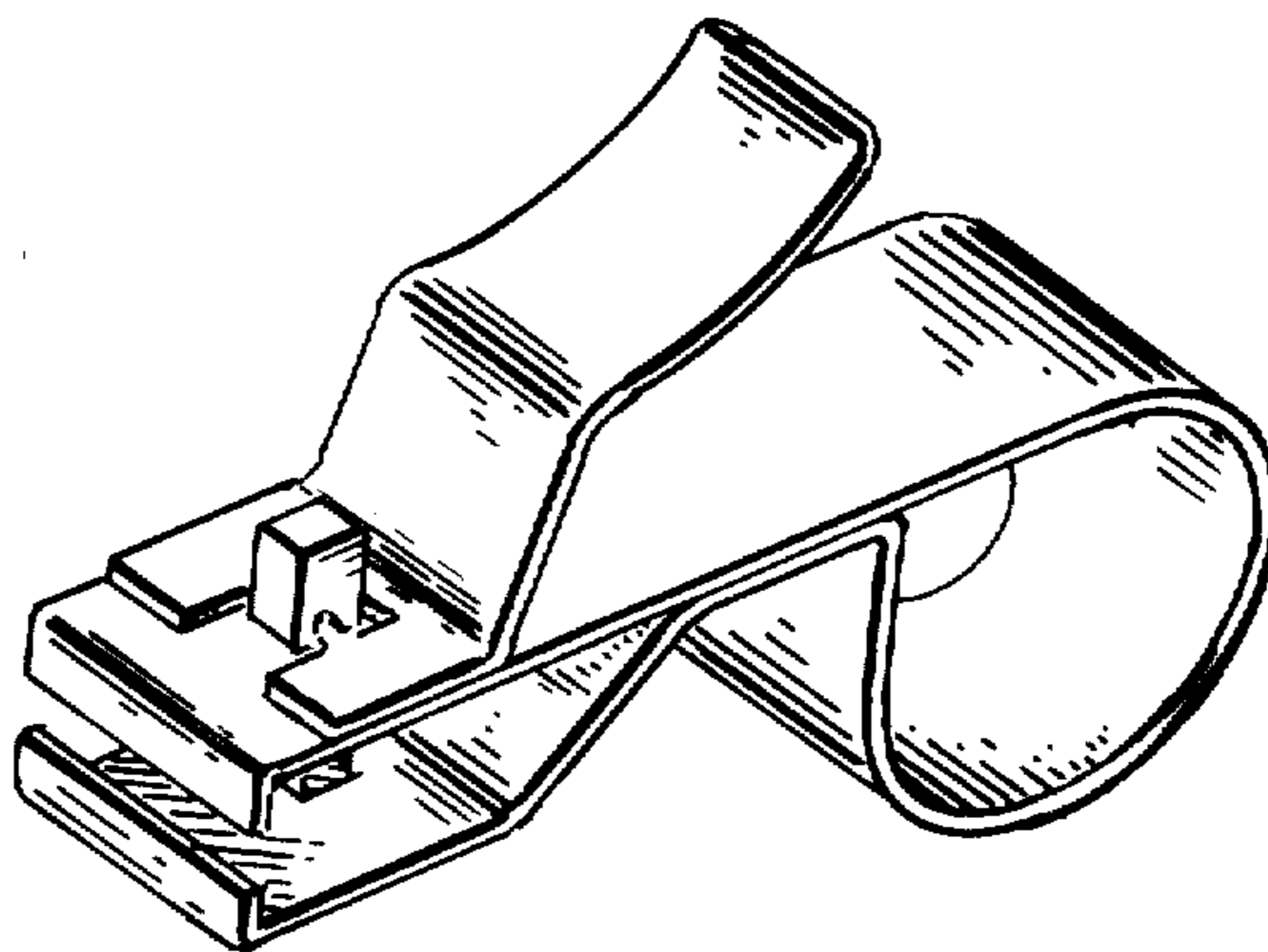


FIG. 1.

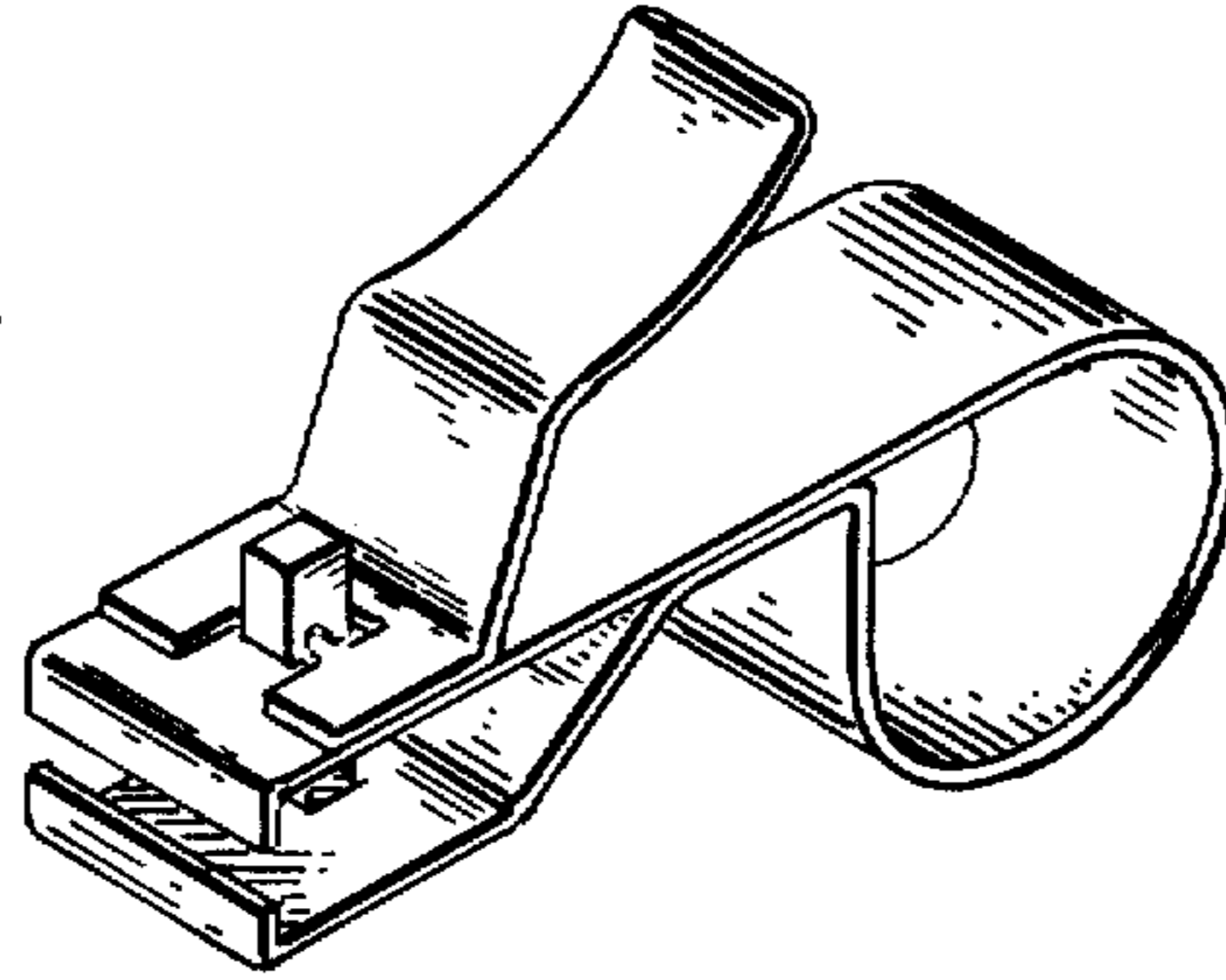


FIG. 2.

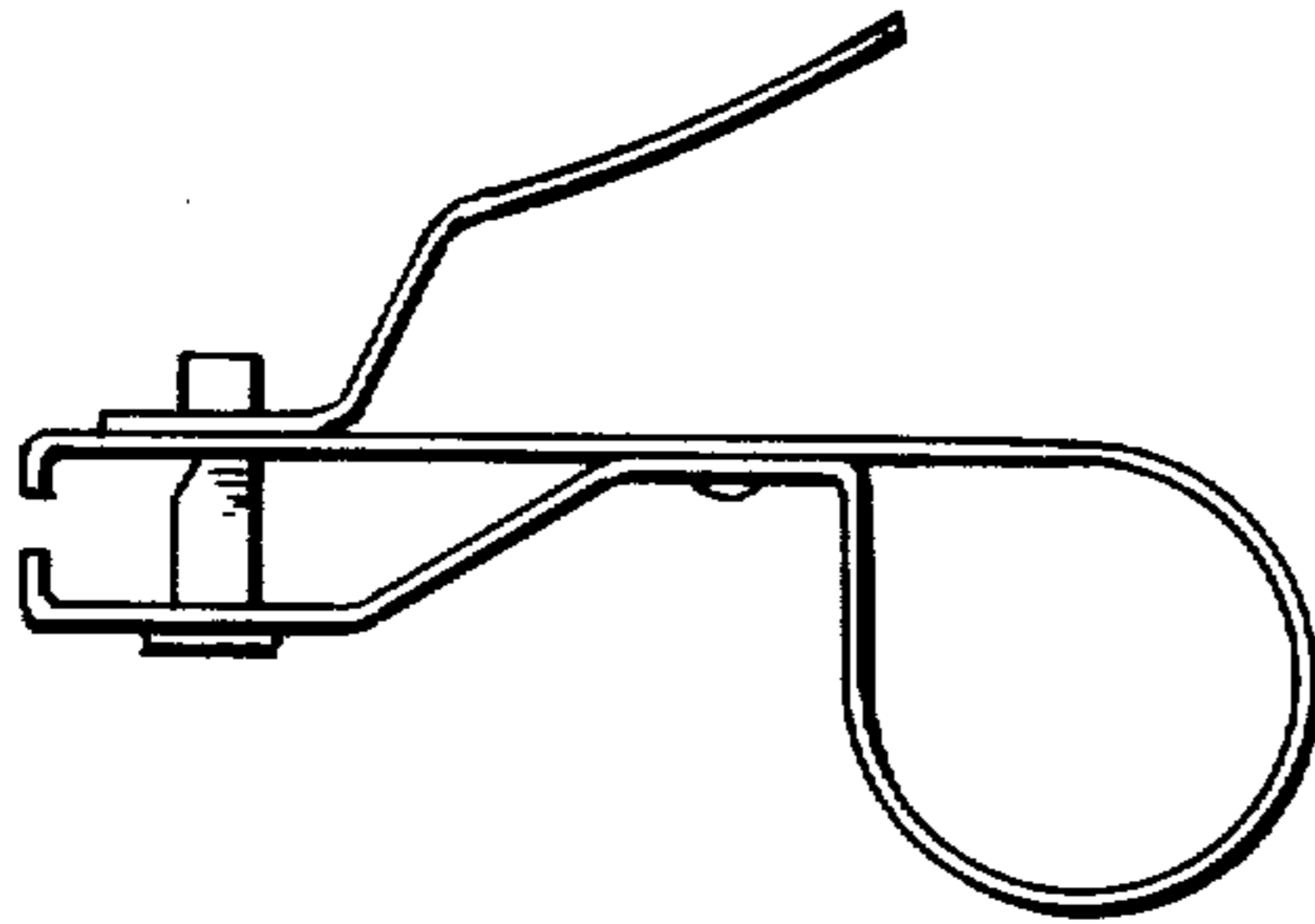


FIG. 3.

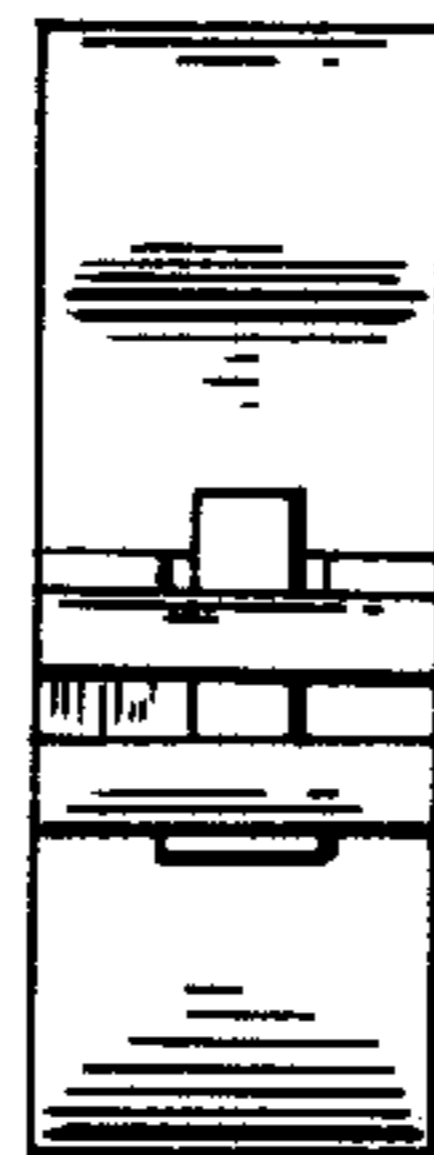


FIG. 4.

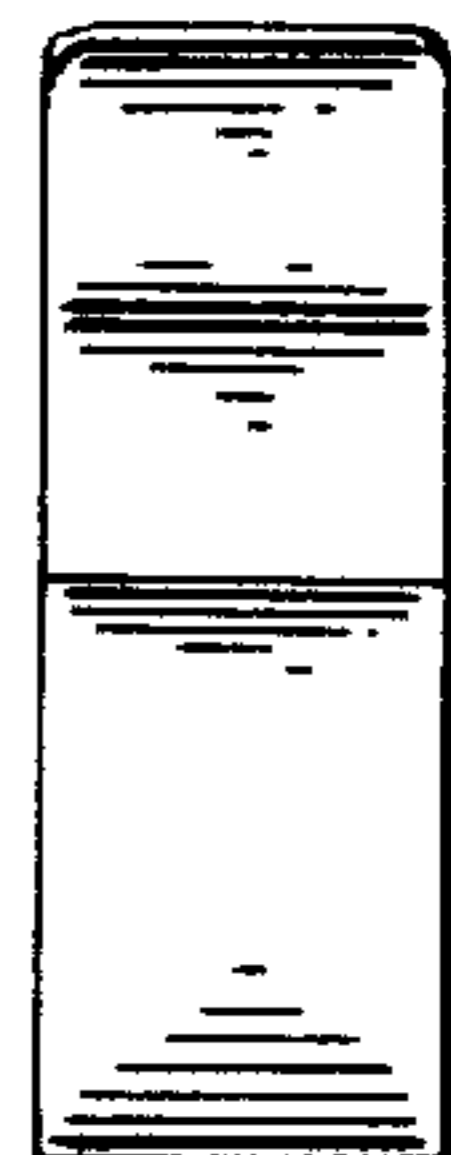


FIG. 5.



FIG. 6.

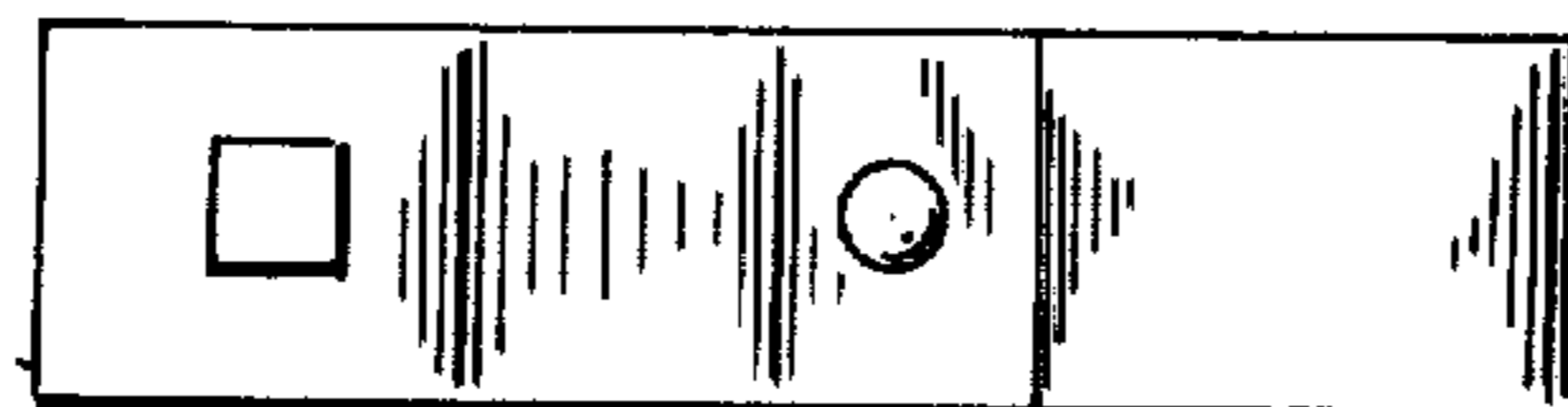


FIG. 7.

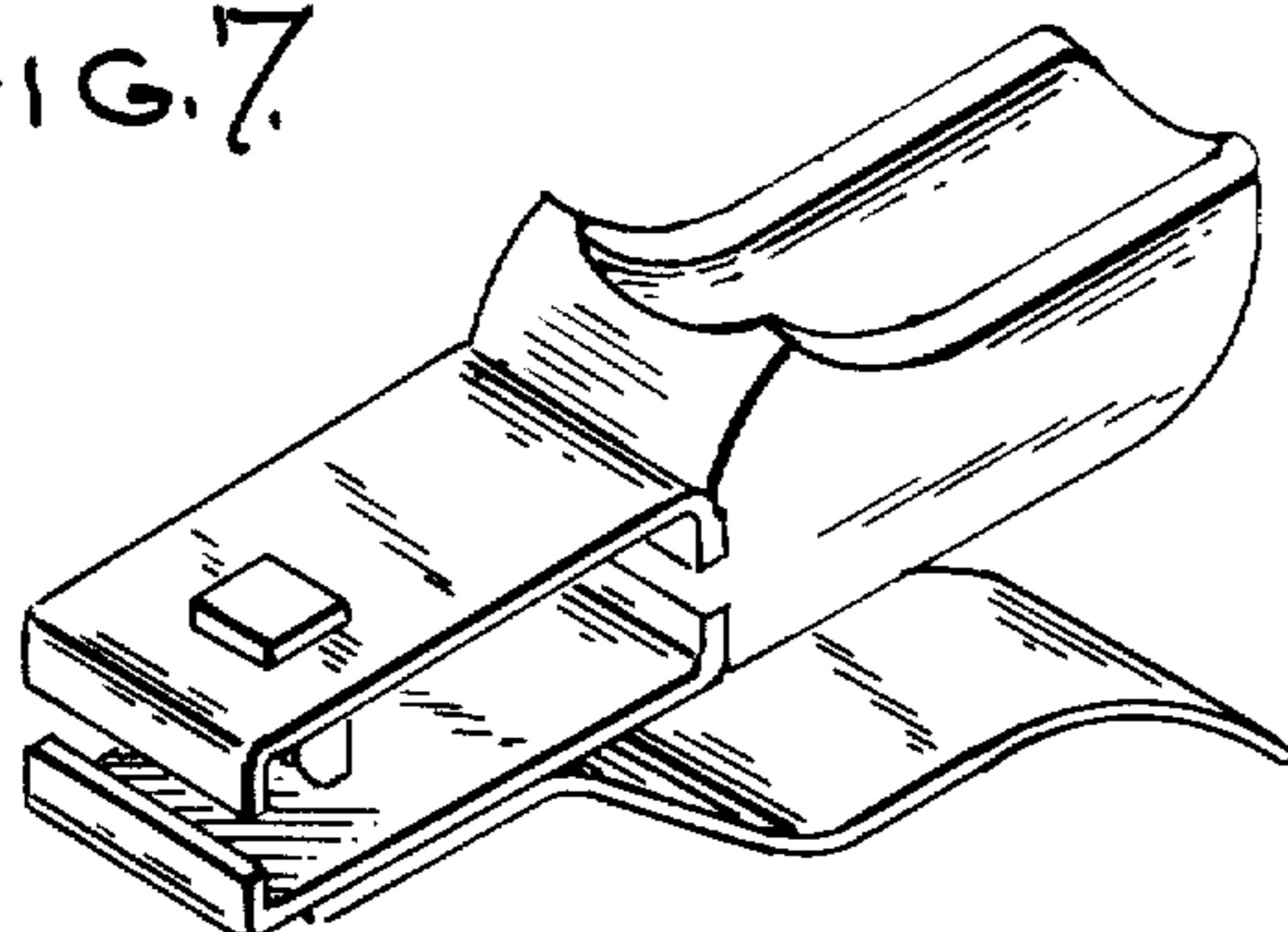


FIG. 8.

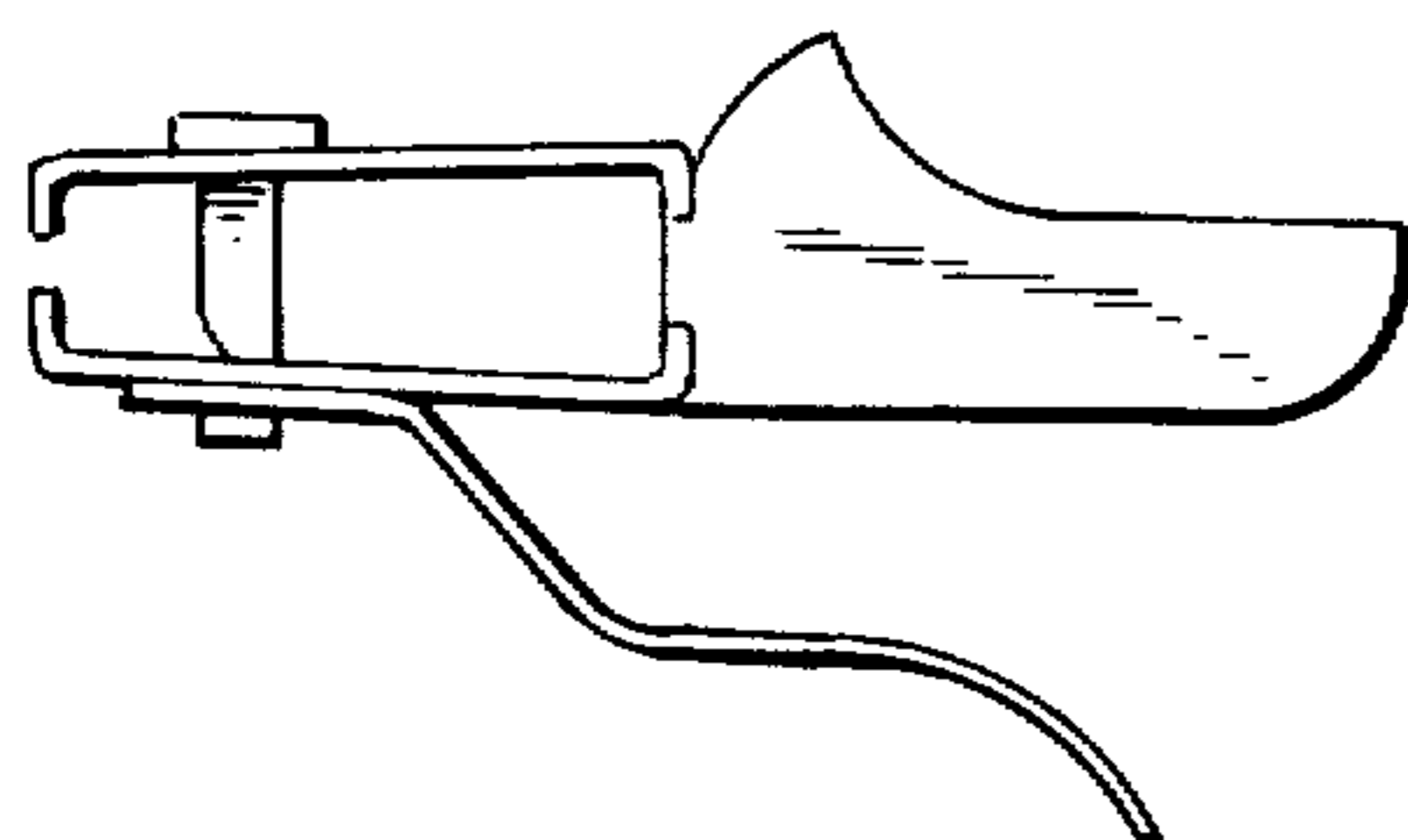


FIG. 9.



FIG. 10.



FIG. 11.



FIG. 12.

