

[54] TEAPOT

[75] Inventor: Walter Everhan, Klettenberg, Fed. Rep. of Germany

[73] Assignee: American Commercial Incorporated, Gardena, Calif.

[\*\*] Term: 14 Years

[21] Appl. No.: 177,416

[22] Filed: Aug. 12, 1980

[51] Int. Cl. .... D7-01

[52] U.S. Cl. .... D7/59; D7/67

[58] Field of Search .... D7/59, 60, 66, 67, 65

[56] References Cited

U.S. PATENT DOCUMENTS

D. 1,764	6/1863	Meisel	.....	D7/66
D. 22,793	9/1893	Pritchard	.....	D7/59
D. 40,396	12/1909	Jacobs	.....	D7/65
D. 78,525	5/1929	Lindley	.....	D7/66
D. 255,207	6/1980	Darnell	.....	D7/67 X

D. 257,313 10/1980 Painter et al. .... D7/65

OTHER PUBLICATIONS

*Institutions*, 2-15-1980, p. 188, Hall China's "Classic Series Ware".

*Goldschmiede Zeitung*, Dec. 1979, p. 37, Höhe: 181 mm, Teekanne Rauminhalt: 0,751, Gewicht: 850 g.

*Housewares Review*, 4-1961, p. 9, Vollrath Kitchenware, Item B.

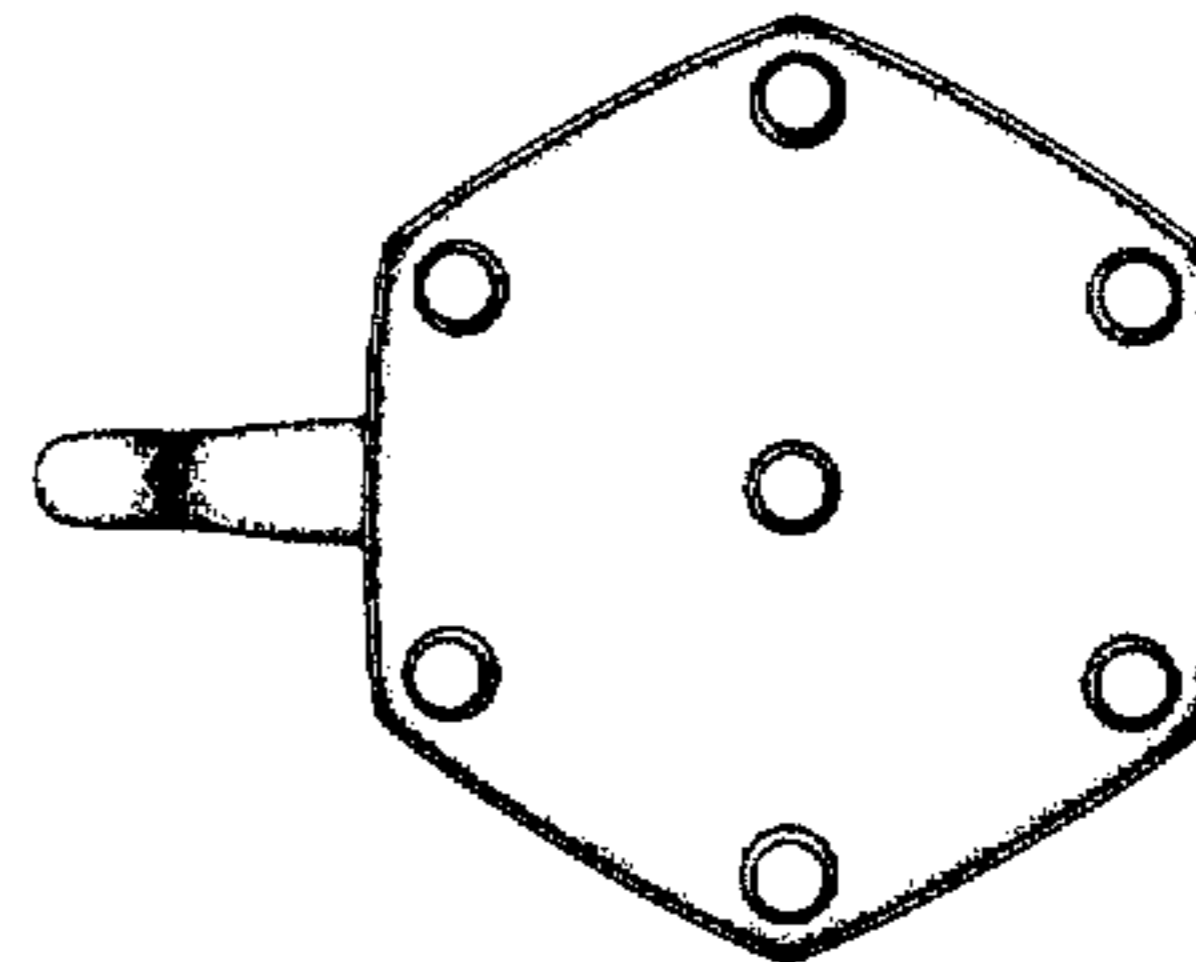
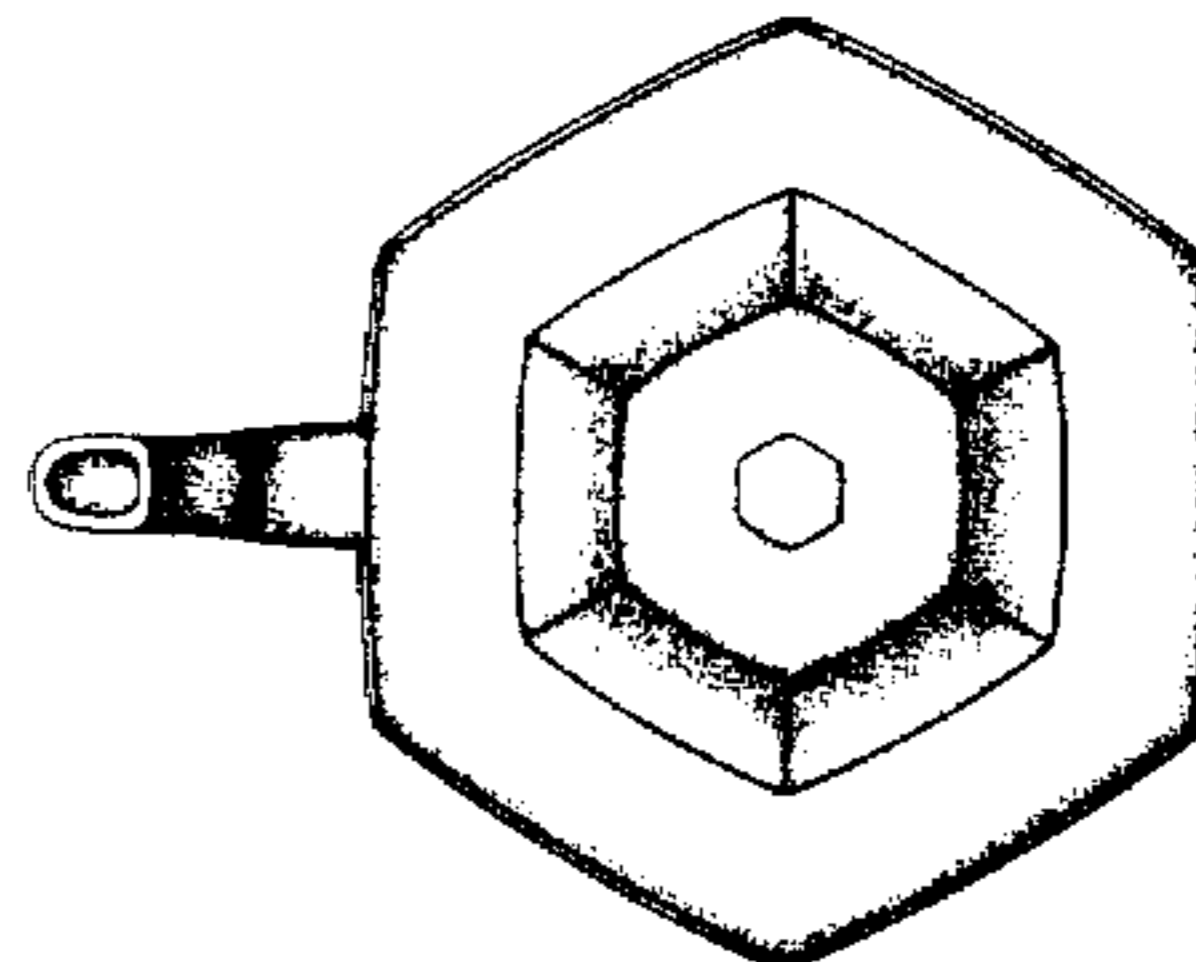
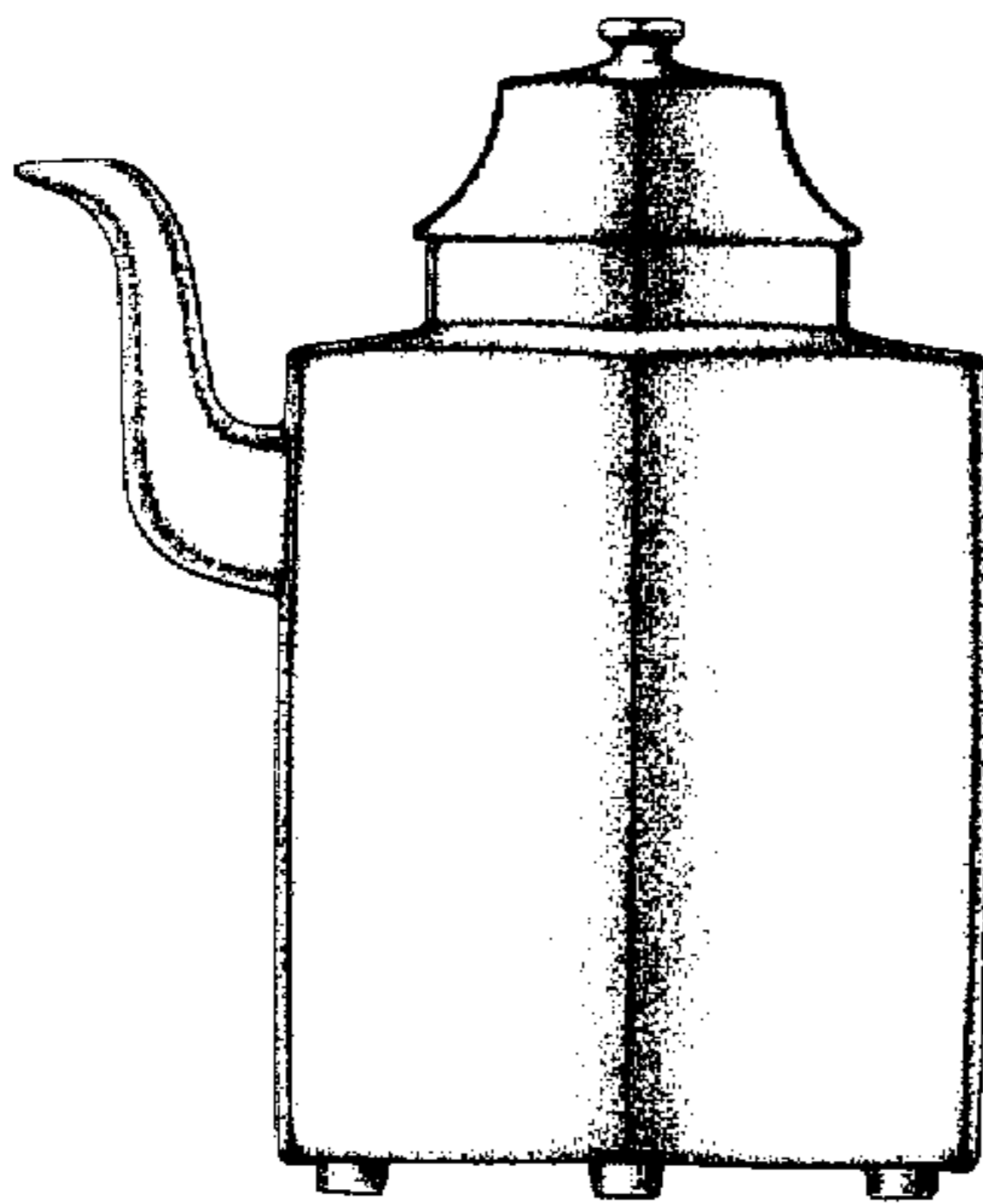
Primary Examiner—Winifred E. Herrmann  
Attorney, Agent, or Firm—Daley & Brandt

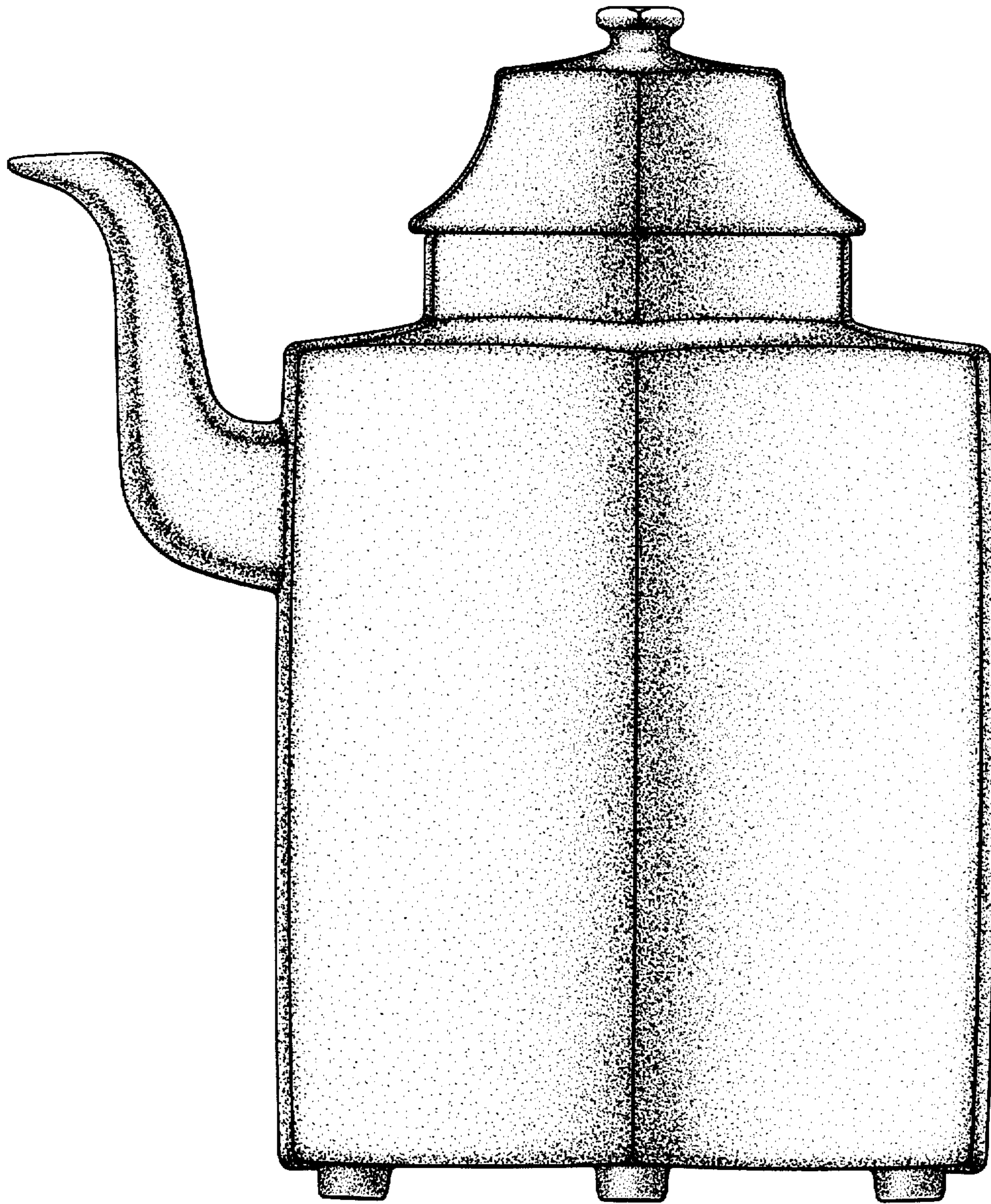
[57] CLAIM

The ornamental design for a teapot, as shown and described.

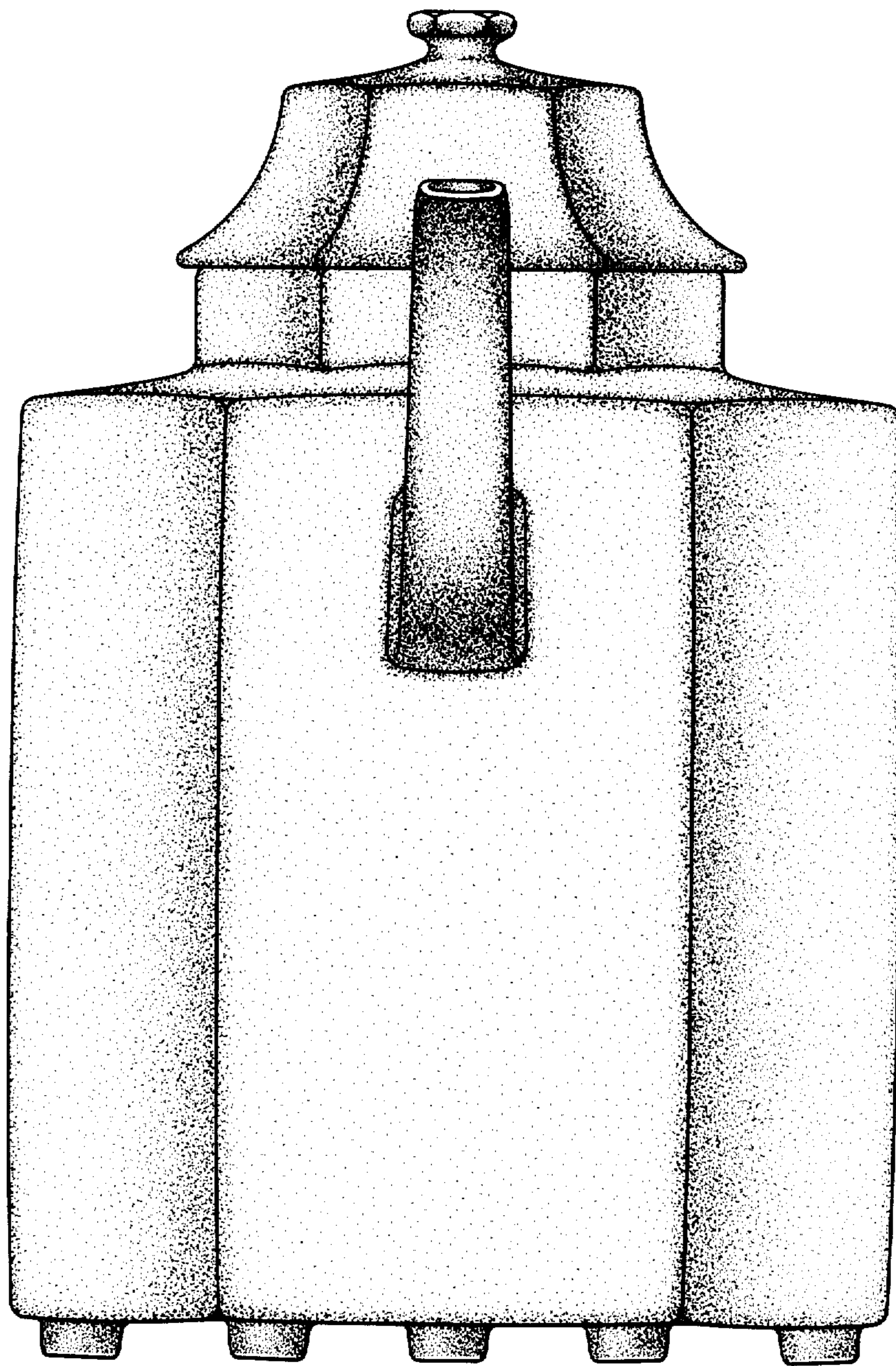
DESCRIPTION

FIG. 1 is a side elevational view of a teapot showing my new design;  
FIG. 2 is an end elevational view as viewed from the left side in FIG. 1;  
FIG. 3 is a top plan view; and  
FIG. 4 is a bottom plan view.

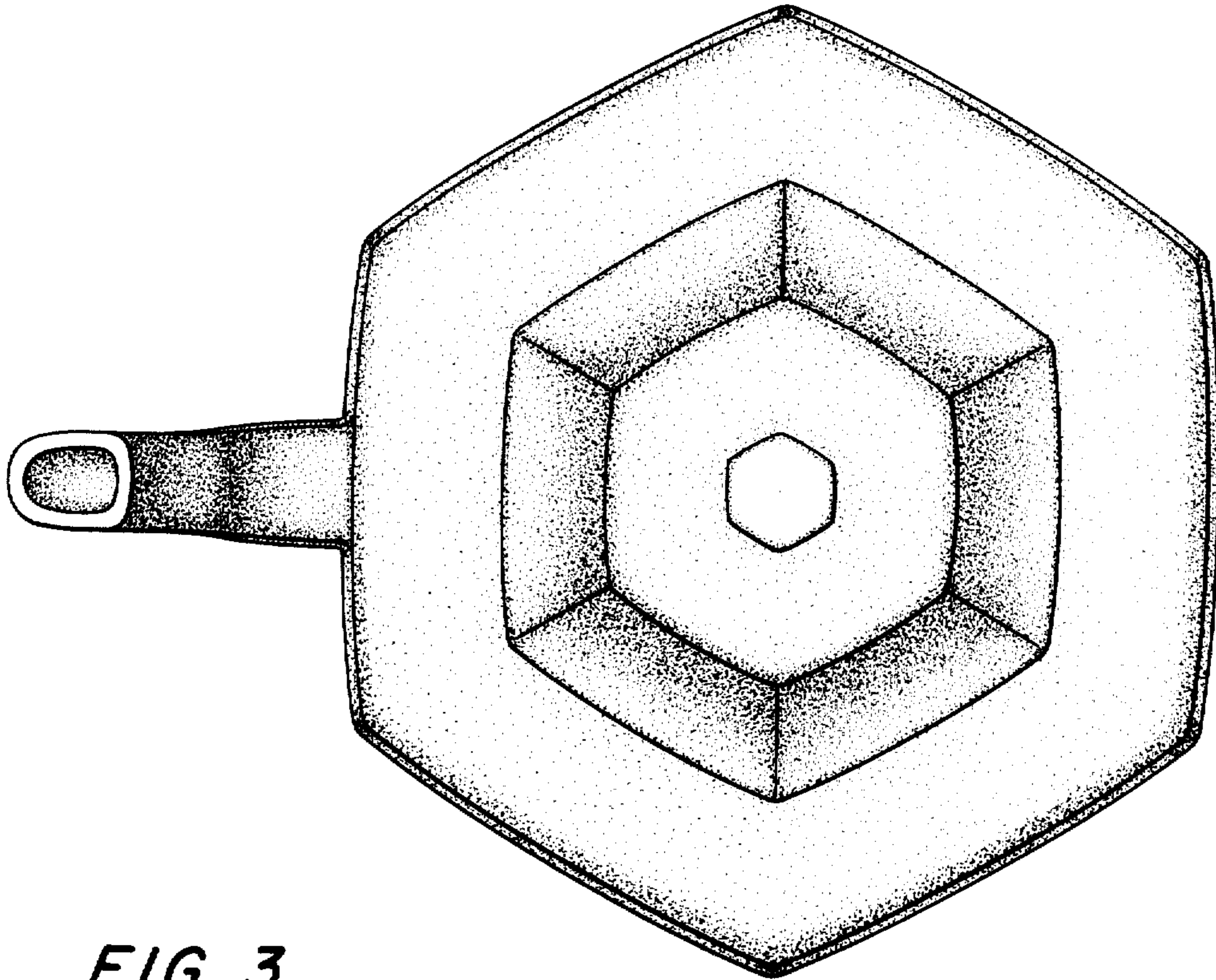




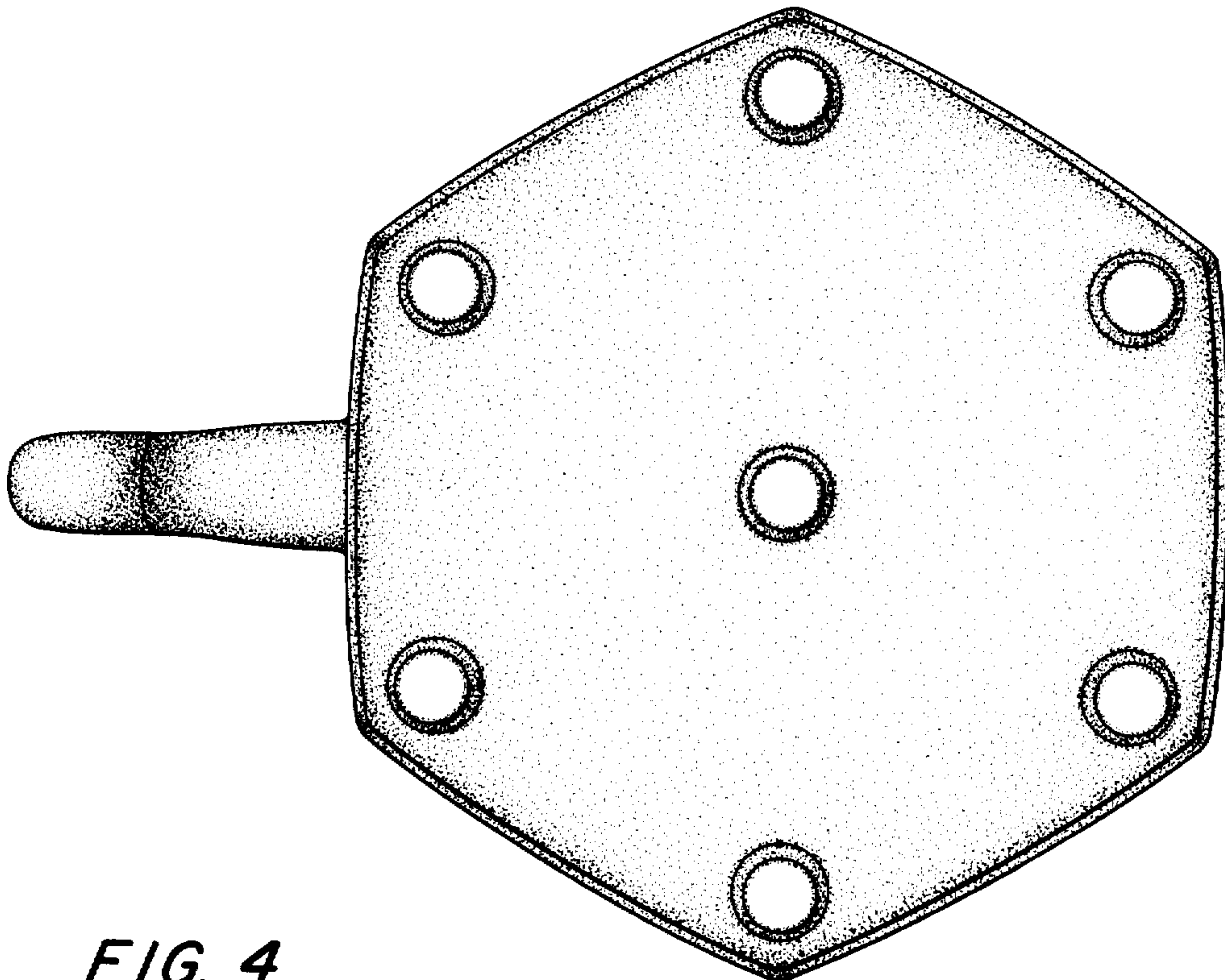
*FIG. 1*



*FIG. 2*



*FIG. 3*



*FIG. 4*