

[54] **KETTLE**  
 [75] **Inventor: Walter Everhan, Klettenberg, Fed. Rep. of Germany**  
 [73] **Assignee: American Commercial Incorporated, Gardena, Calif.**  
 [\*\*] **Term: 14 Years**  
 [21] **Appl. No.: 177,413**  
 [22] **Filed: Aug. 12, 1980**  
 [51] **Int. Cl. .... D7-02; D7-01**  
 [52] **U.S. Cl. .... D7/59; D7/66**  
 [58] **Field of Search .... D7/59, 60, 66, 67, 65**

D. 78,525 5/1929 Lindley ..... D7/66  
 D. 260,957 9/1981 Urich ..... D7/60

**OTHER PUBLICATIONS**

*Institutions*, 2-15-1980, p. 188, Hall China Co., "Classic Series" Ware, Teapot.

*Primary Examiner*—Winifred E. Herrmann  
*Attorney, Agent, or Firm*—Daley & Brandt

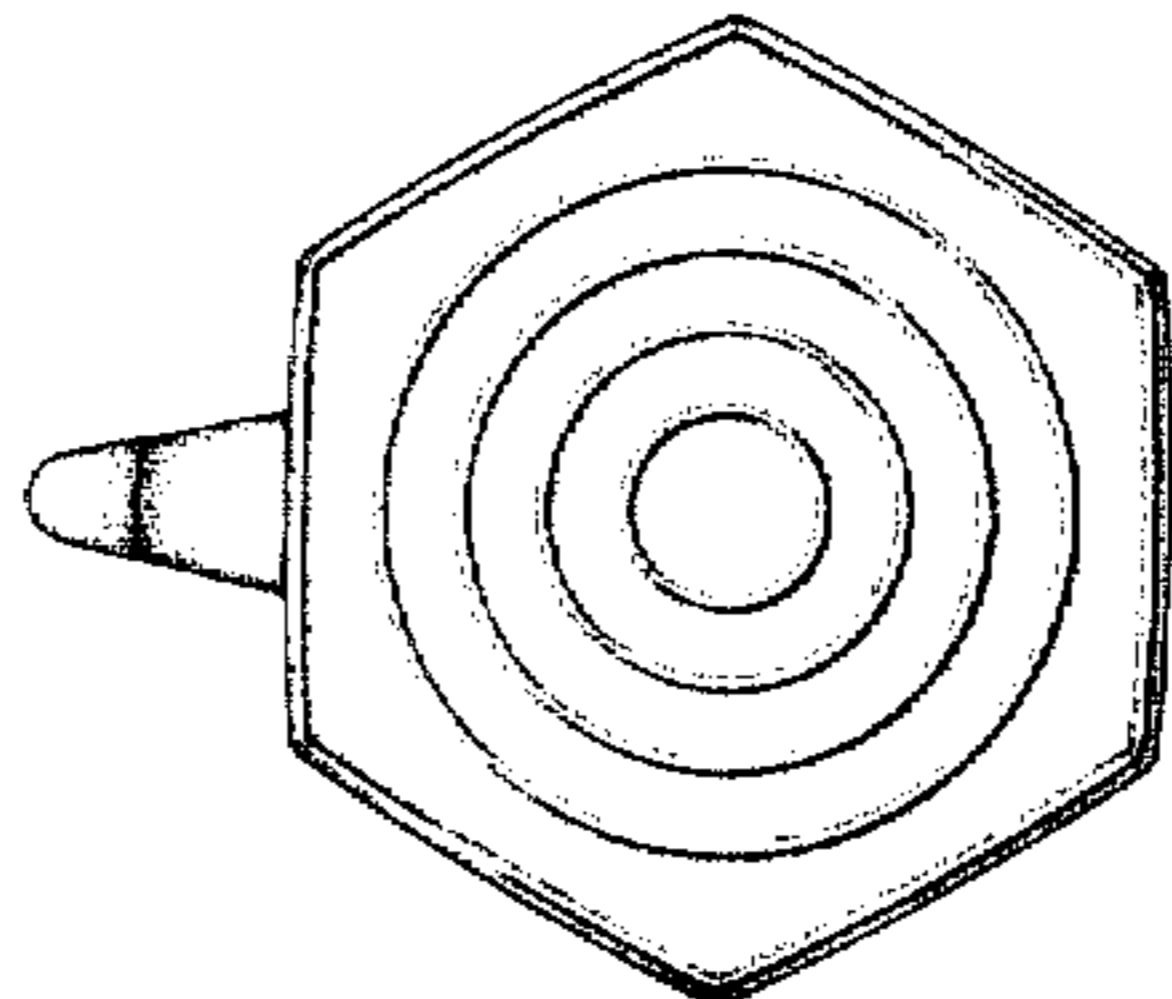
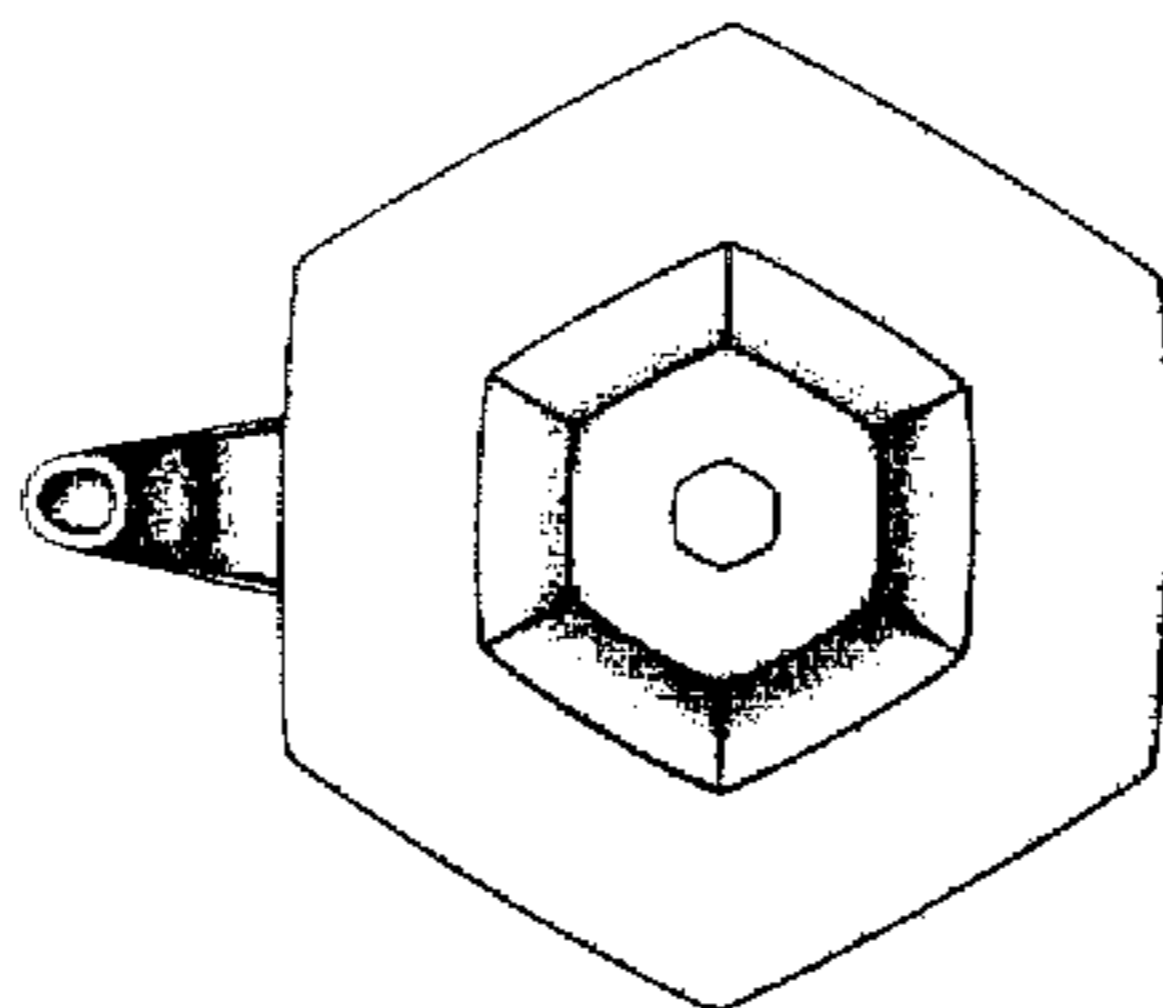
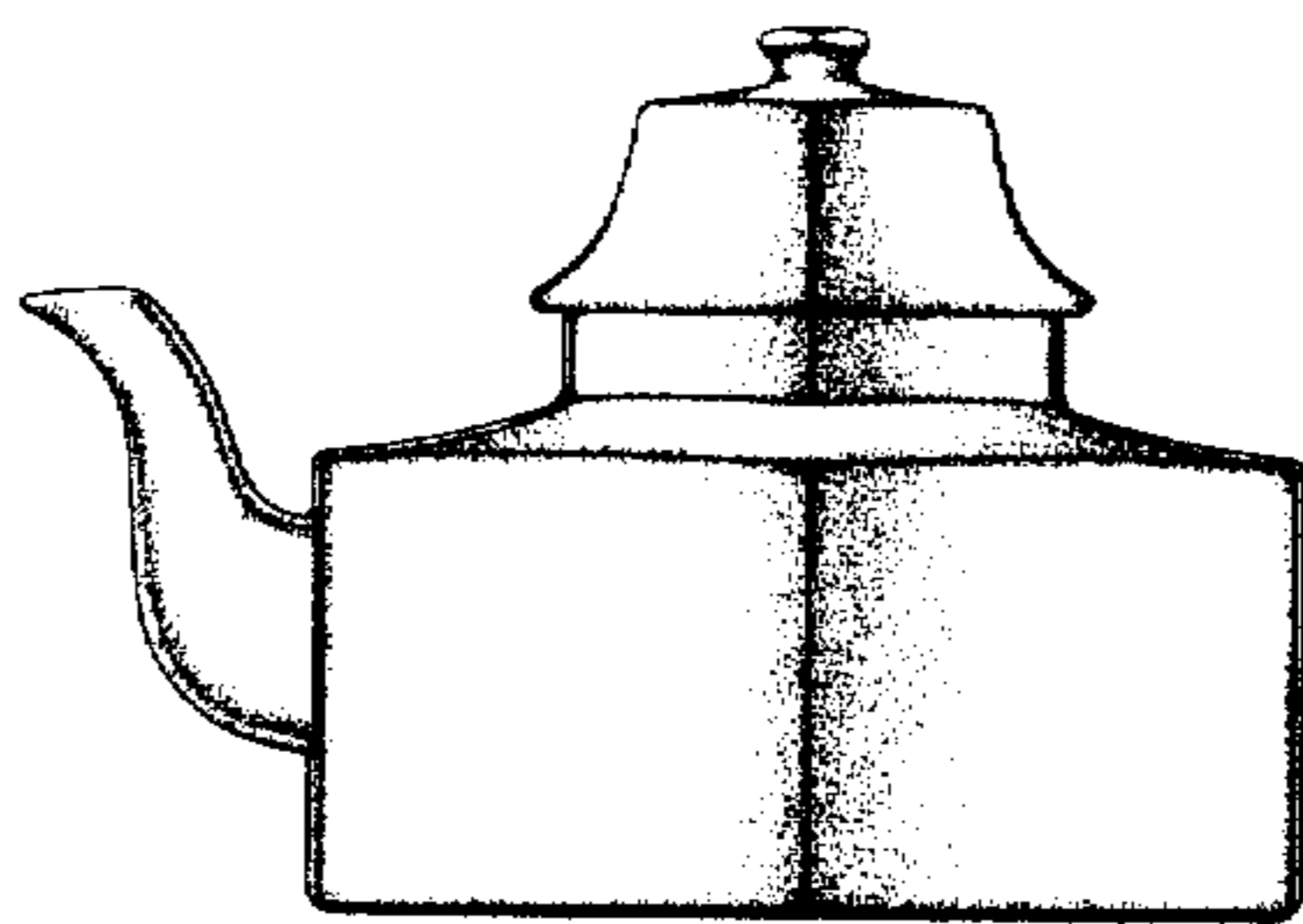
[57] **CLAIM**

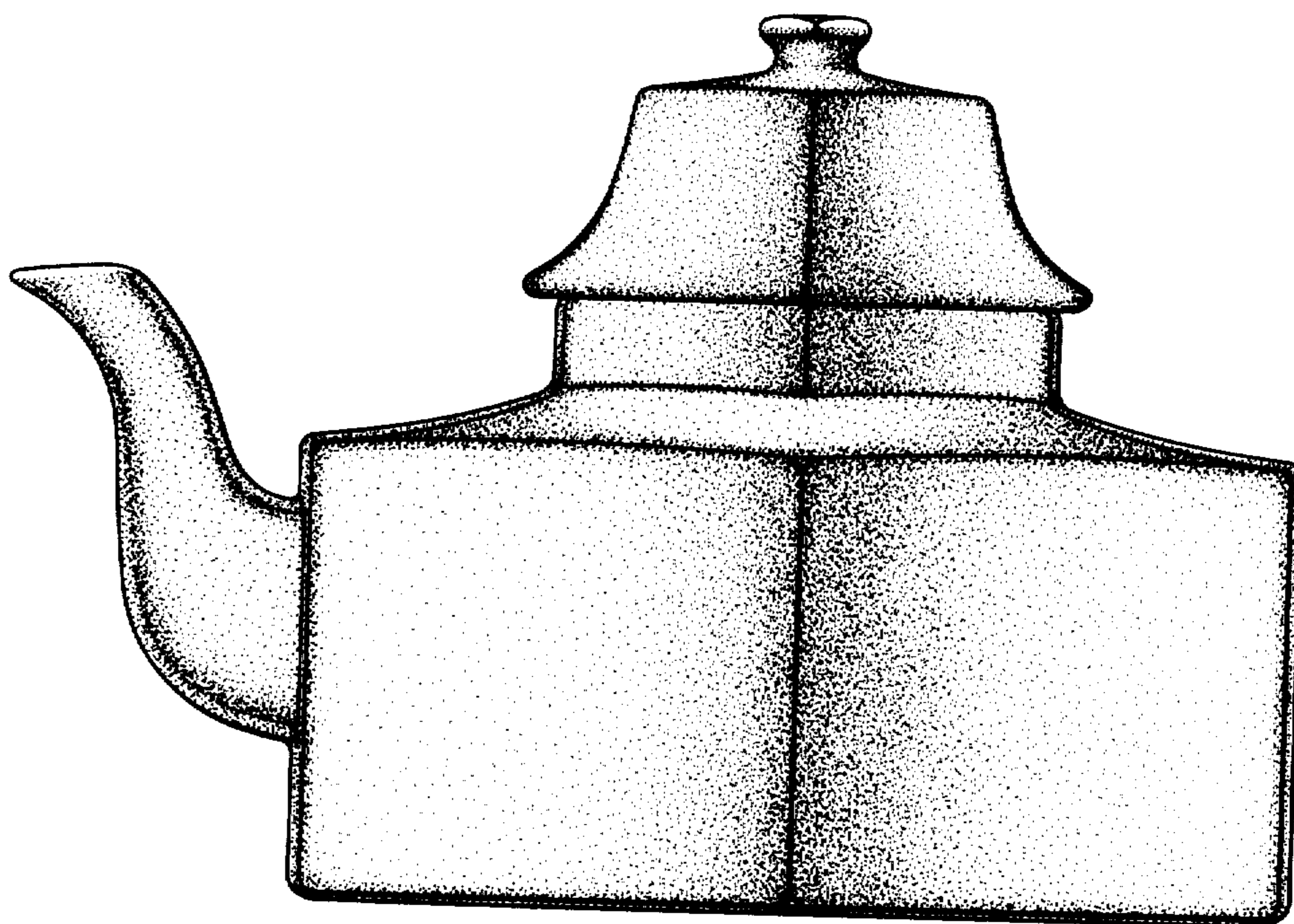
The ornamental design for a kettle, as shown and described.

**DESCRIPTION**

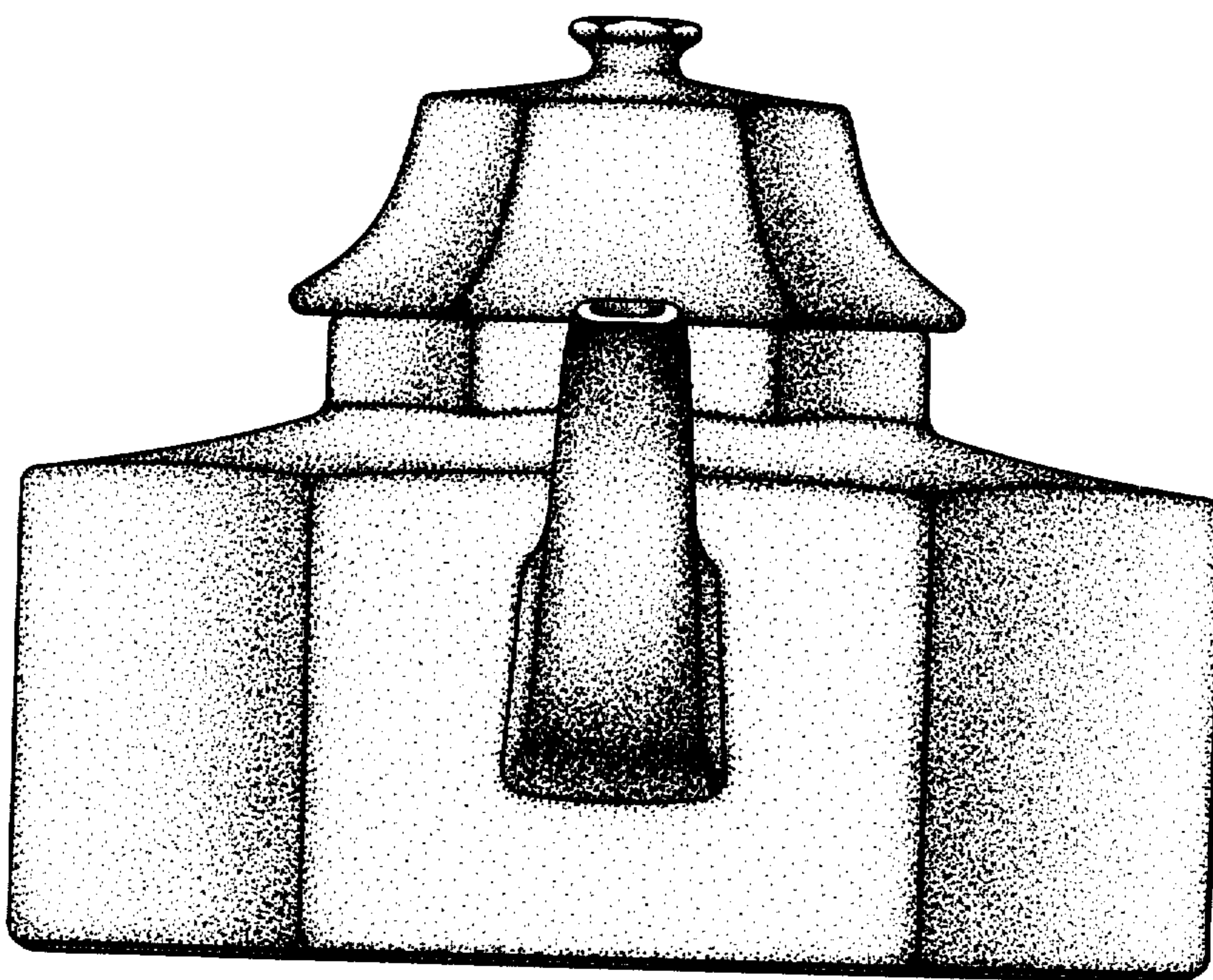
FIG. 1 is a side elevational view of a kettle showing my new design;  
 FIG. 2 is an end elevational view as viewed from the left in FIG. 1;  
 FIG. 3 is a top plan view; and  
 FIG. 4 is a bottom plan view.

[56] **References Cited**  
**U.S. PATENT DOCUMENTS**  
 D. 16,452 1/1886 Haviland ..... D7/67 X  
 D. 38,706 7/1907 Rouquart ..... D7/66  
 D. 51,145 8/1917 Luttringhaus ..... D7/66

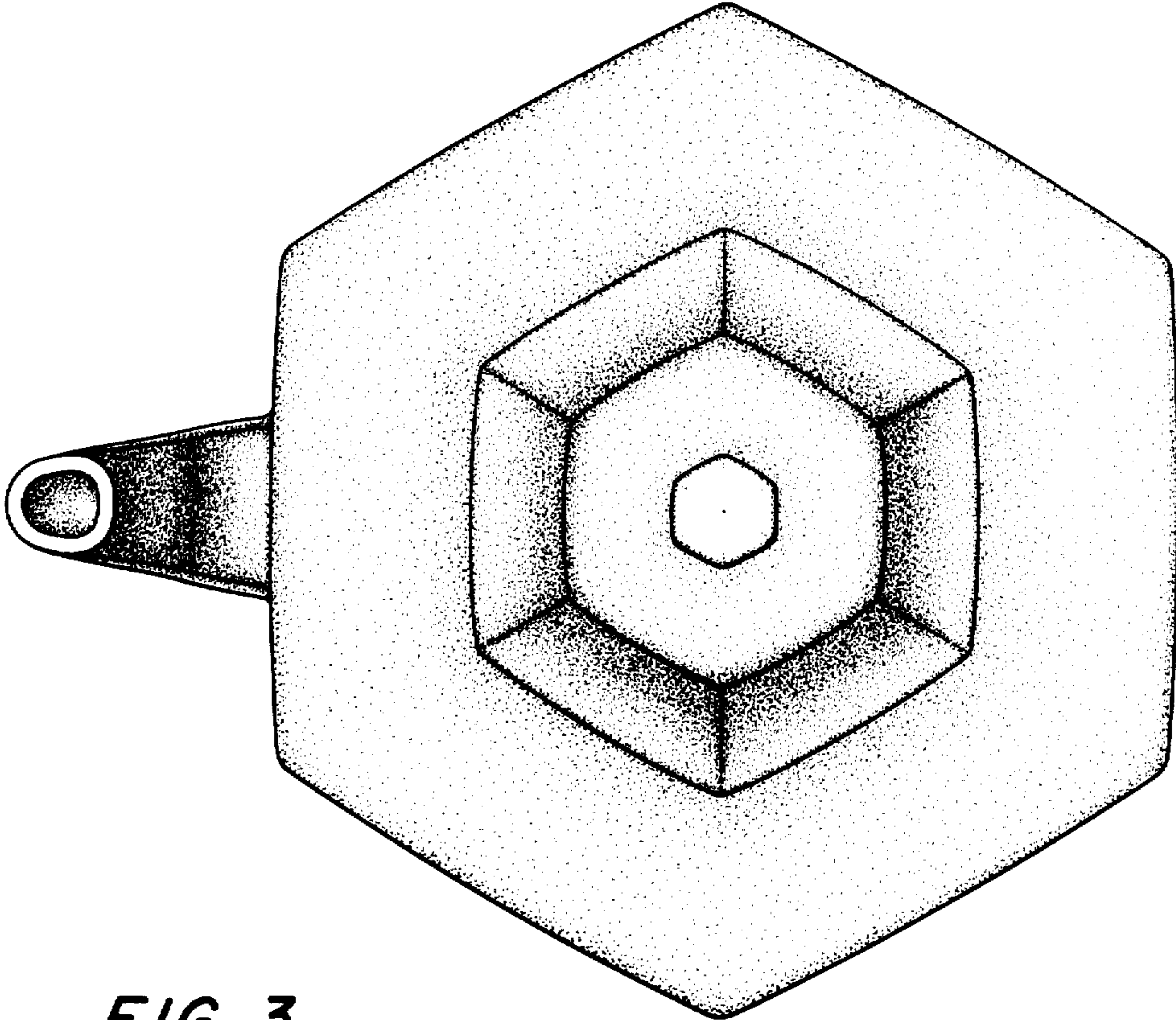




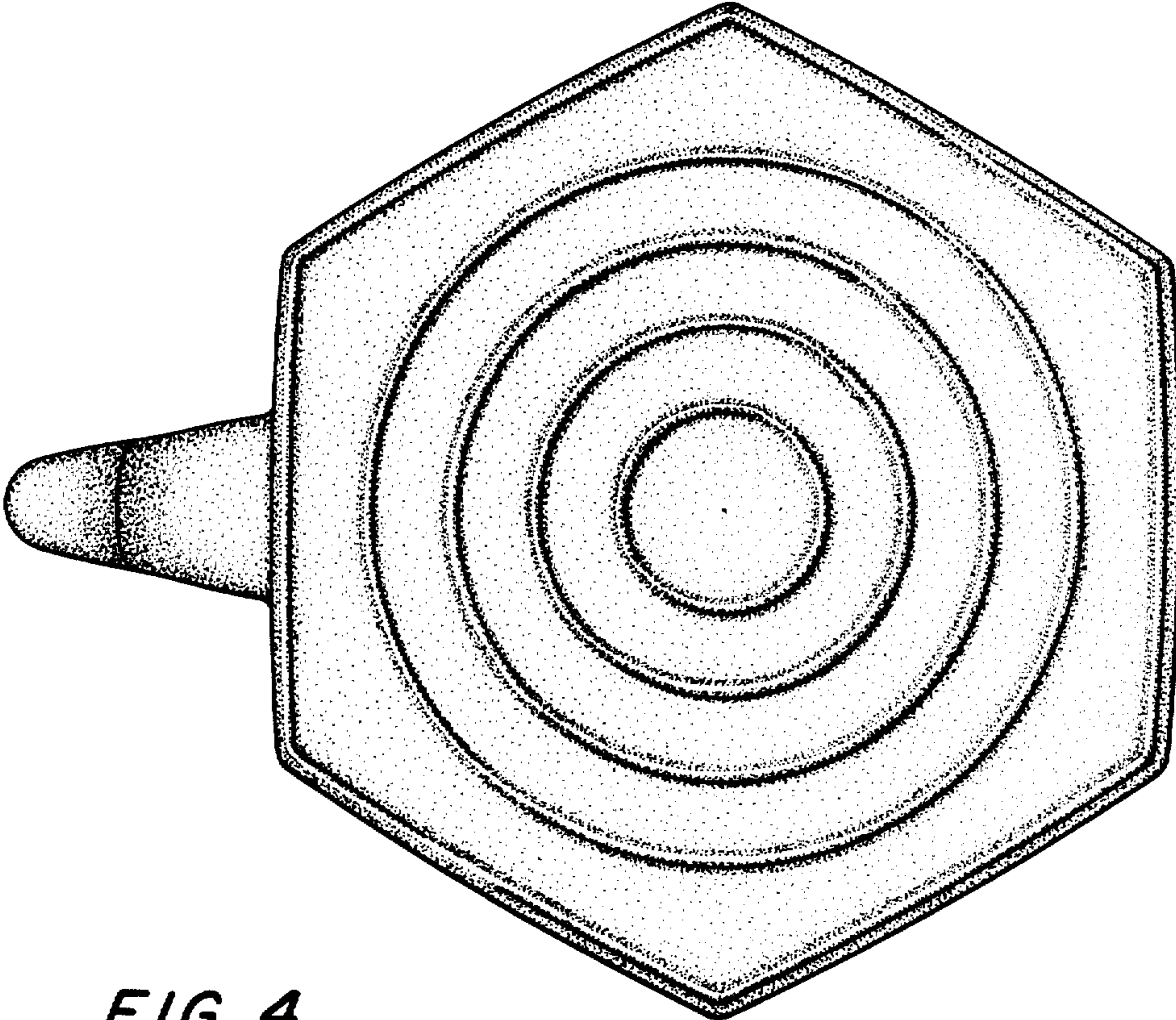
*FIG. 1*



*FIG. 2*



*FIG. 3*



*FIG. 4*