

- [54] **DESK FOR A DATA TERMINAL**  
[75] Inventor: **Jorma Ylänkö, Kullo, Finland**  
[73] Assignee: **Vaasanmylly Oy, Turku, Finland**  
[\*\*] Term: **7 Years**  
[21] Appl. No.: **76,277**  
[22] Filed: **Sep. 17, 1979**  
[30] **Foreign Application Priority Data**  
Mar. 16, 1979 [FI] Finland ..... 172/79  
[51] Int. Cl. .... **D06—04**  
[52] U.S. Cl. .... **D6/188; D6/161;**  
**D6/174; D6/179; D6/180**  
[58] **Field of Search** ..... **D6/156, 158, 159, 160,**  
**D6/161, 177, 178, 179, 165, 167, 174, 27, 180,**  
**181, 186, 188; 312/194, 223, 255; D14/103**  
[56] **References Cited**  
**U.S. PATENT DOCUMENTS**  
D. 123,806 12/1940 Griese ..... D6/156

- D. 168,524 12/1952 Thomas ..... D6/27  
D. 252,388 7/1979 Fsellø-Jensen ..... D6/178  
4,077,333 3/1978 Ballas ..... D6/27

**OTHER PUBLICATIONS**

*Office Products*, vol. 105, Sep. 1977, p. 25.

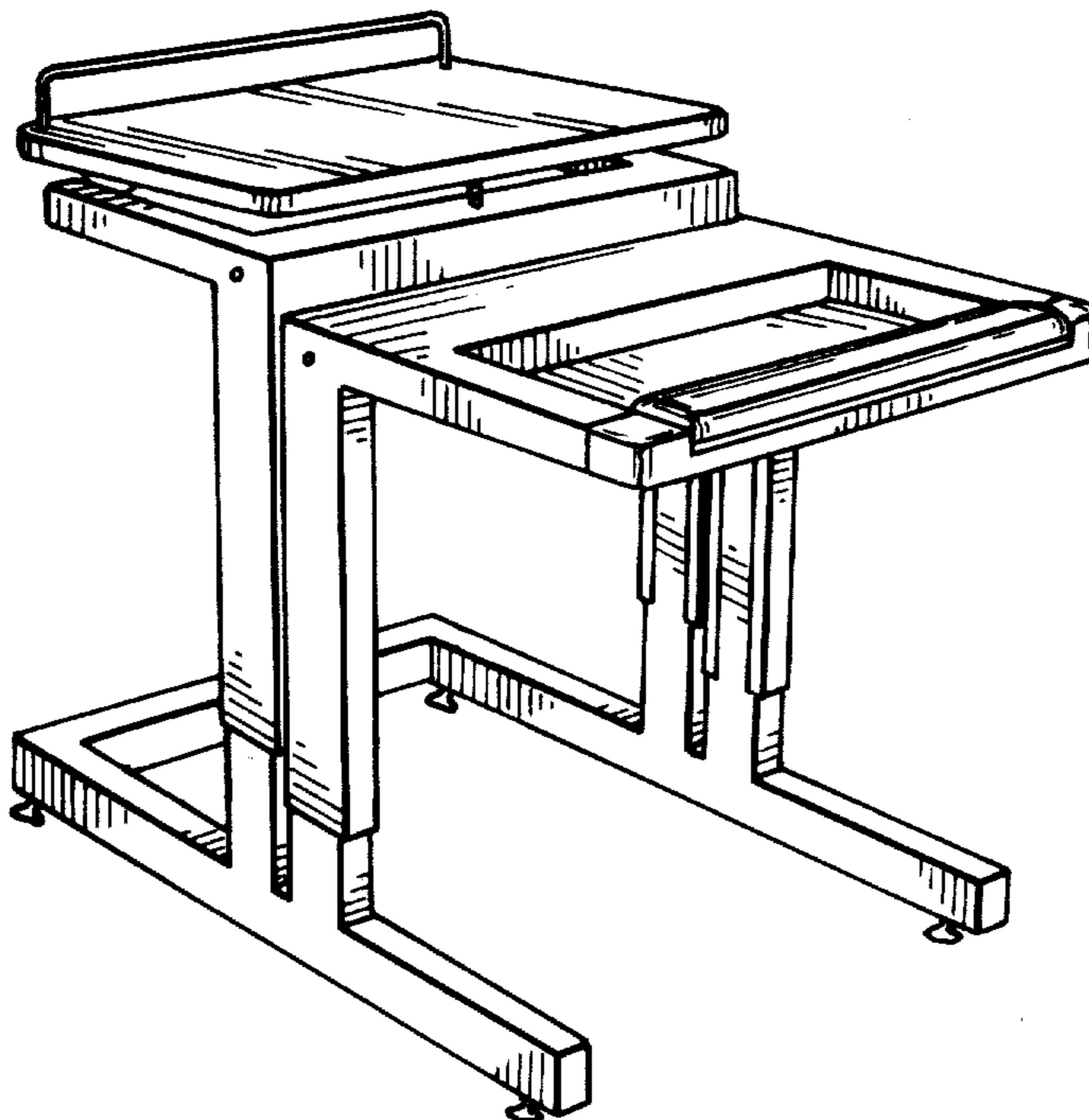
*Primary Examiner*—Joel Stearman  
*Assistant Examiner*—Carmen H. Vales  
*Attorney, Agent, or Firm*—Abelman, Frayne & Rezac

[57] **CLAIM**

The ornamental design for desk for a data terminal, as shown and described.

**DESCRIPTION**

FIG. 1 is a perspective view of a desk for a data terminal showing my new design;  
FIG. 2 is a top plan view thereof;  
FIG. 3 is a side elevational view, the opposite side being a mirror image thereof;  
FIG. 4 is a bottom plan view thereof;  
FIG. 5 is a rear elevational view thereof; and  
FIG. 6 is a front elevational view thereof.



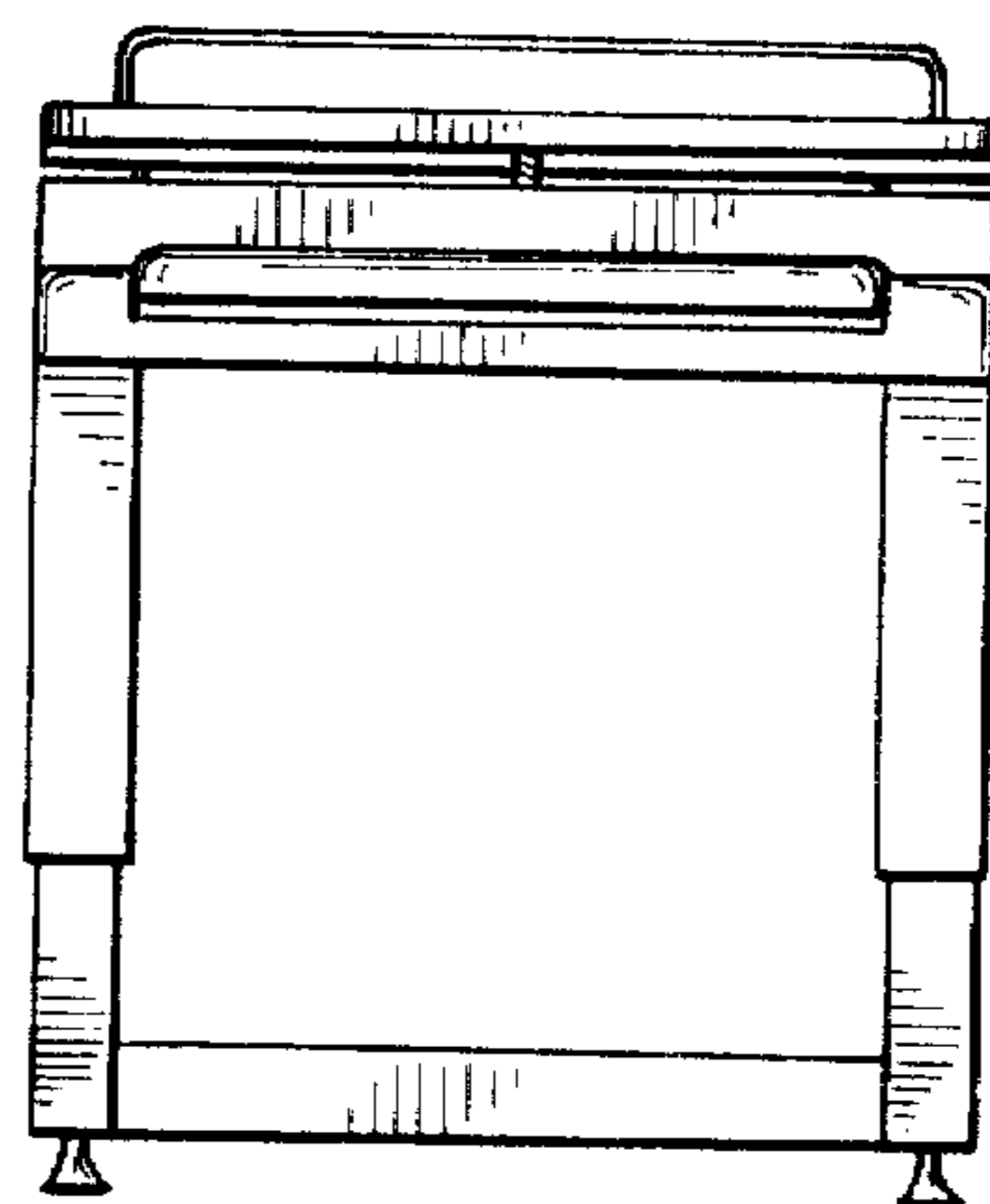
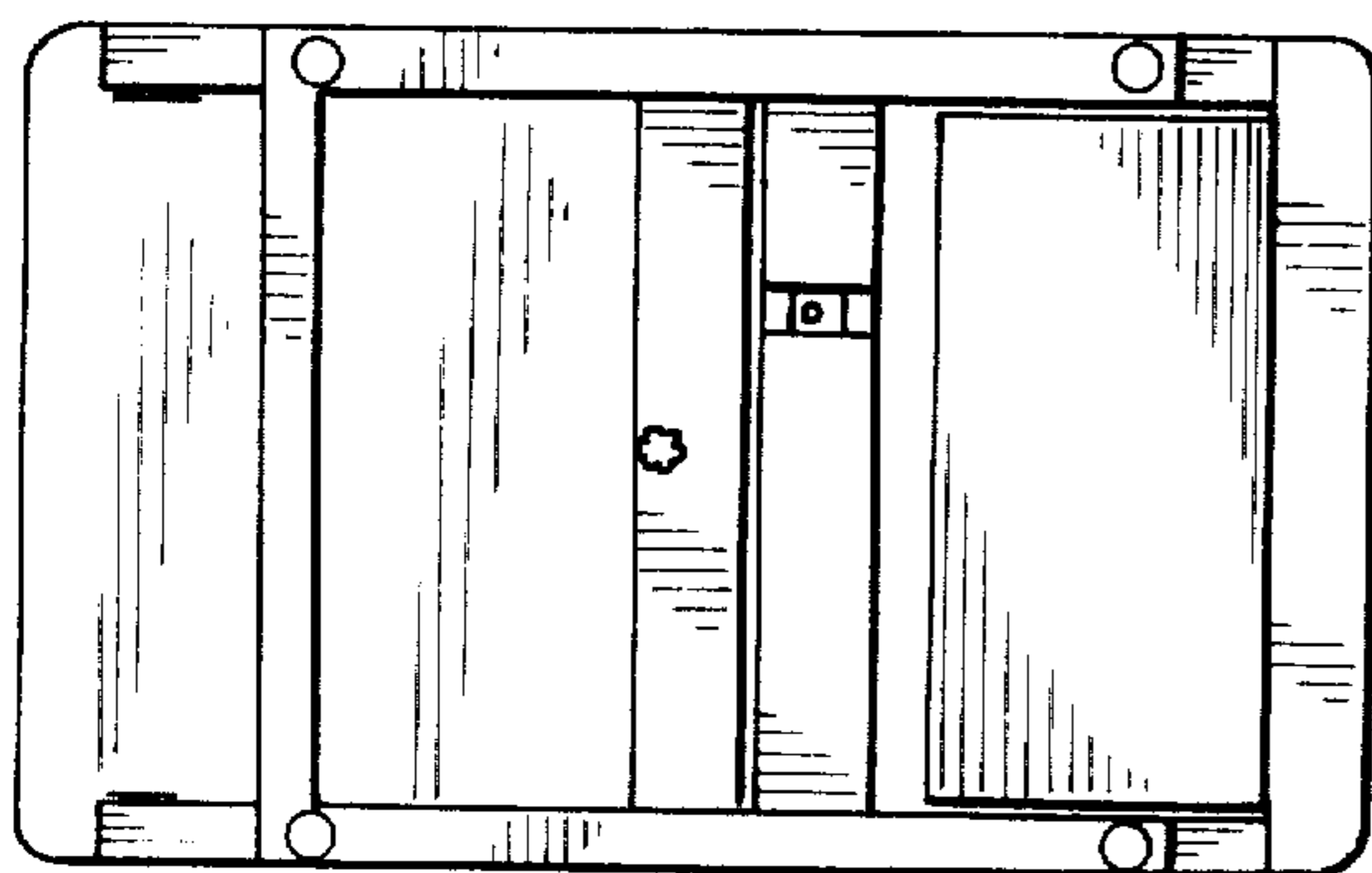
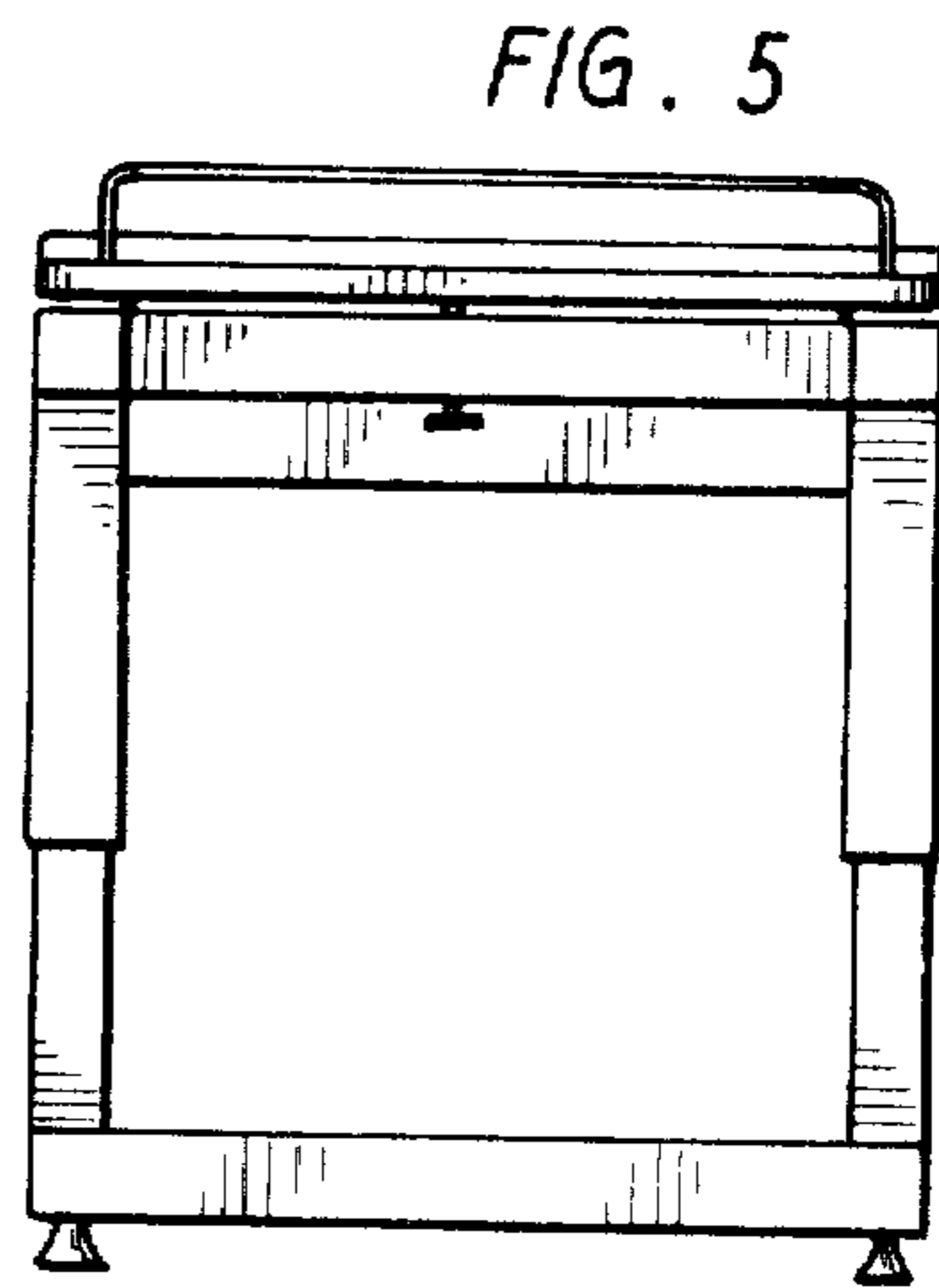
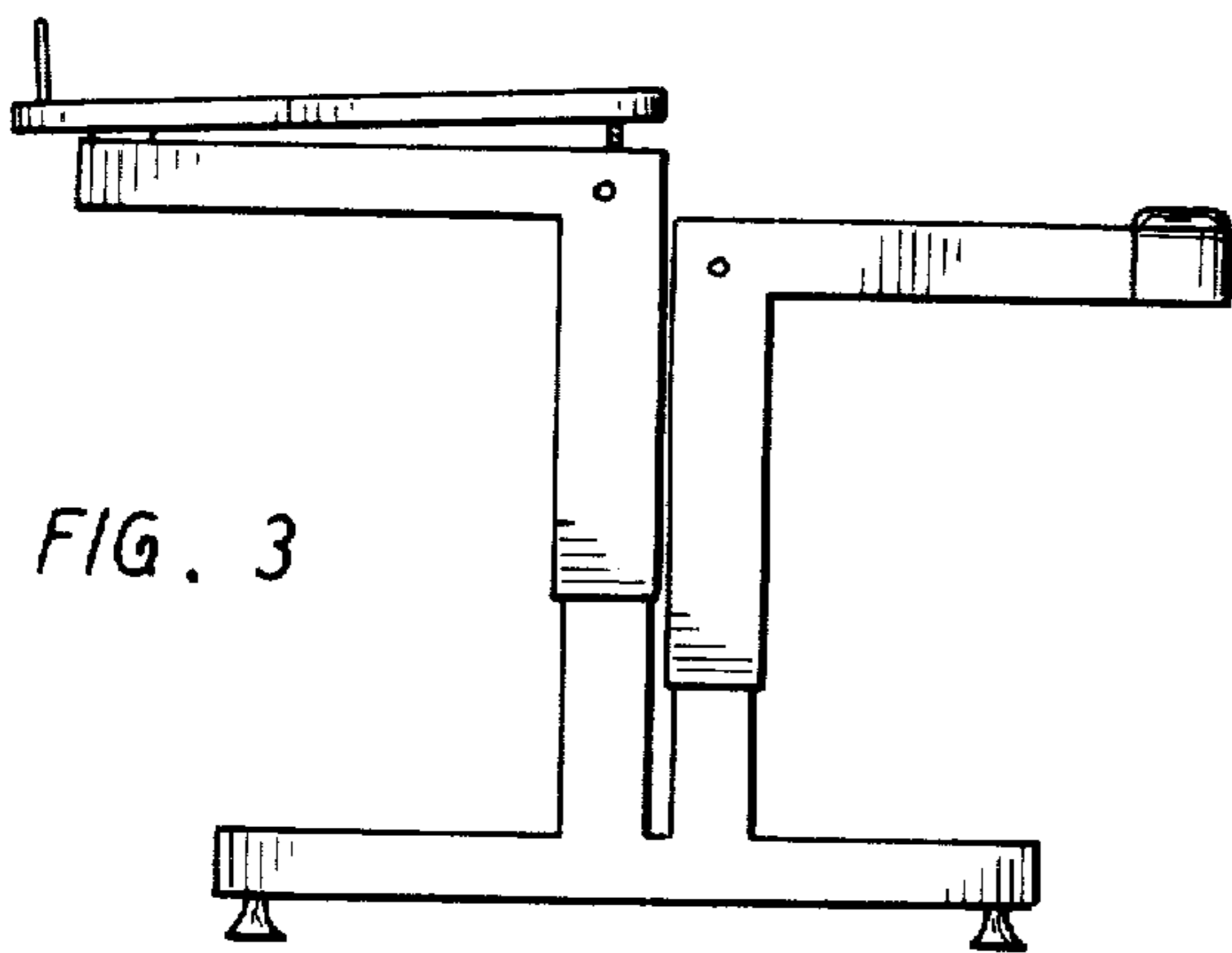
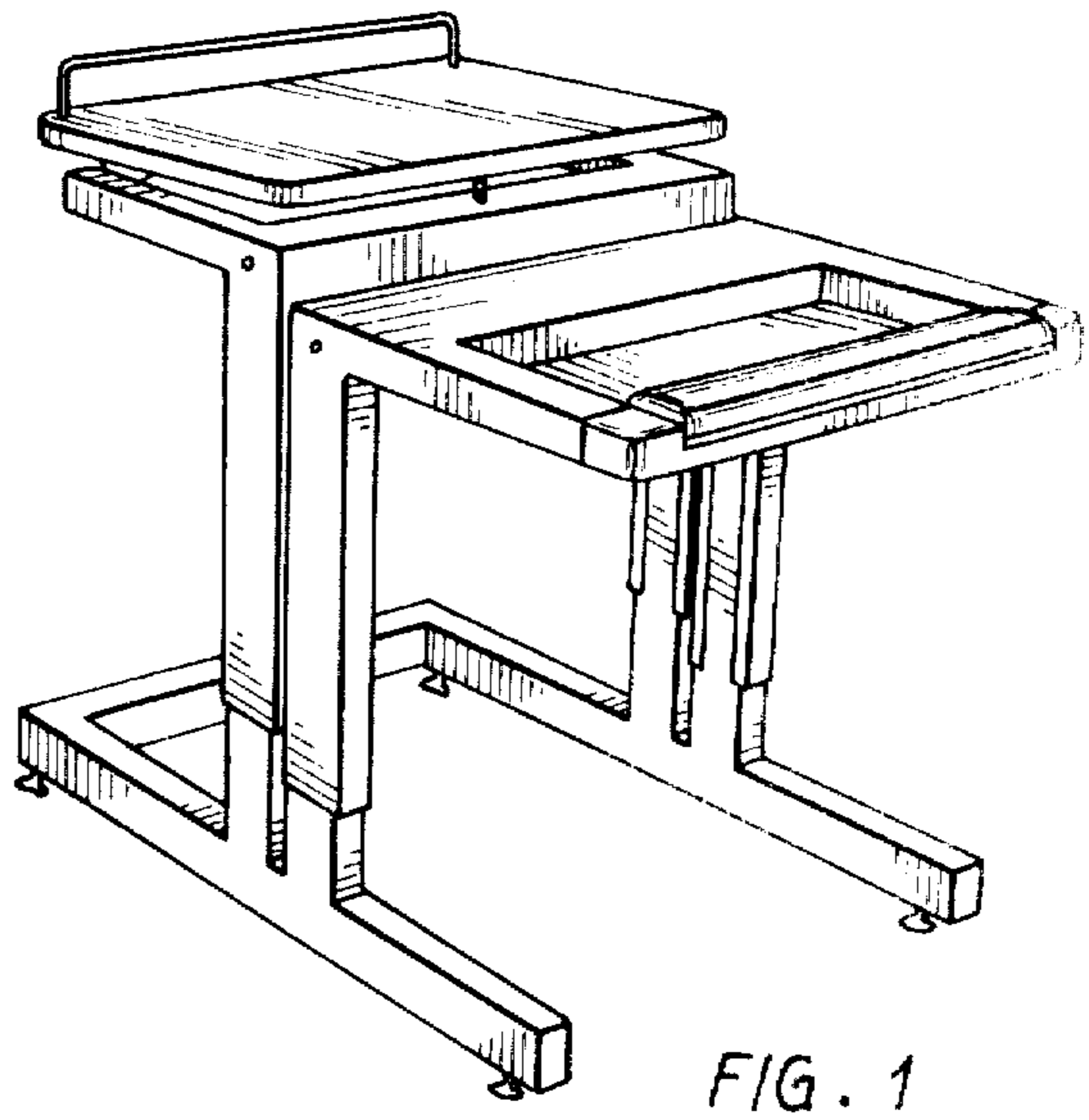
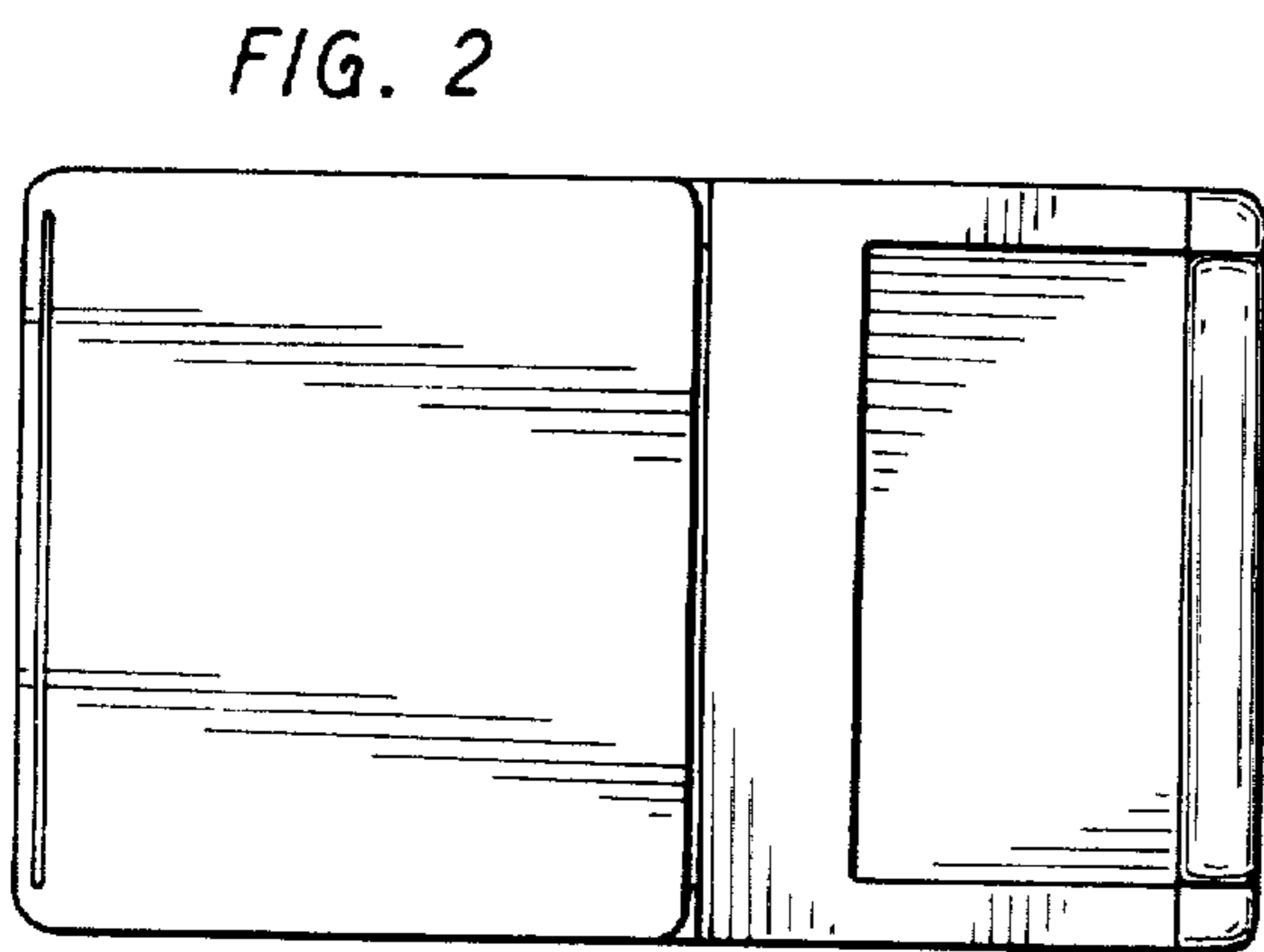


FIG. 4

FIG. 6