

[54] **COMBINED ADVERTISING DISPLAY
STAND AND BROCHURE HOLDER**

[76] Inventor: **Michael J. Edwards**, 21 Earle St.,
Cremorne, New South Wales 2090,
Australia

[**] Term: **14 Years**

[21] Appl. No.: **136,607**

[22] Filed: **Apr. 2, 1980**

[30] **Foreign Application Priority Data**

Oct. 23, 1979 [AU] Australia 79-352

[51] Int. Cl. **D6-04**

[52] U.S. Cl. **D6/184; D6/157;**
D6/190

[58] **Field of Search** D6/1, 20, 23, 24, 25,
D6/27, 29, 85, 146, 147, 148, 149, 157, 172, 173,
175, 181, 186, 184, 185, 188, 189, 190; D12/22,
27, 29, 33; D20/10, 21, 27; D28/73, 77; 211/13,
10, 126, 128, 129, 131, 33, 163; 40/124, 124.1,
124.2, 124.4, 904

[56] **References Cited**

U.S. PATENT DOCUMENTS

D. 53,363 5/1919 Goodman D6/175 X
D. 259,082 5/1981 Corelli D6/157 X
547,552 10/1895 Keegan 211/131
3,942,647 3/1976 Crosslen 211/131 X

OTHER PUBLICATIONS

The Office, Oct. 1973, p. 150; "Projector Stand".

Primary Examiner—Joel Stearman

Assistant Examiner—Carmen H. Vales

Attorney, Agent, or Firm—Ladas & Parry

[57] **CLAIM**

The ornamental design for a combined advertising display stand and brochure holder, as shown and described.

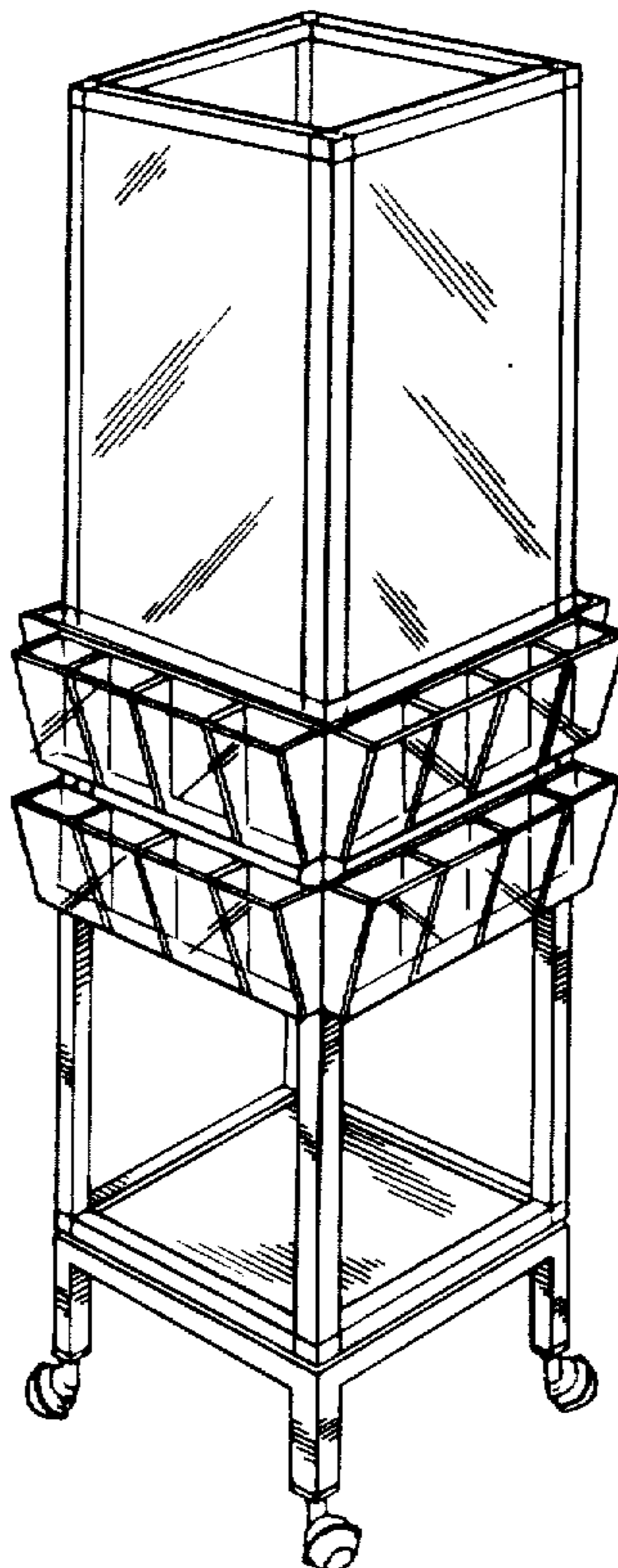
DESCRIPTION

FIG. 1 is a perspective view of a combined advertising display stand and brochure holder showing my new design;

FIG. 2 is a top plan view thereof;

FIG. 3 is a bottom plan view thereof, and

FIG. 4 is a side elevational view, the other side being a mirror image thereof.



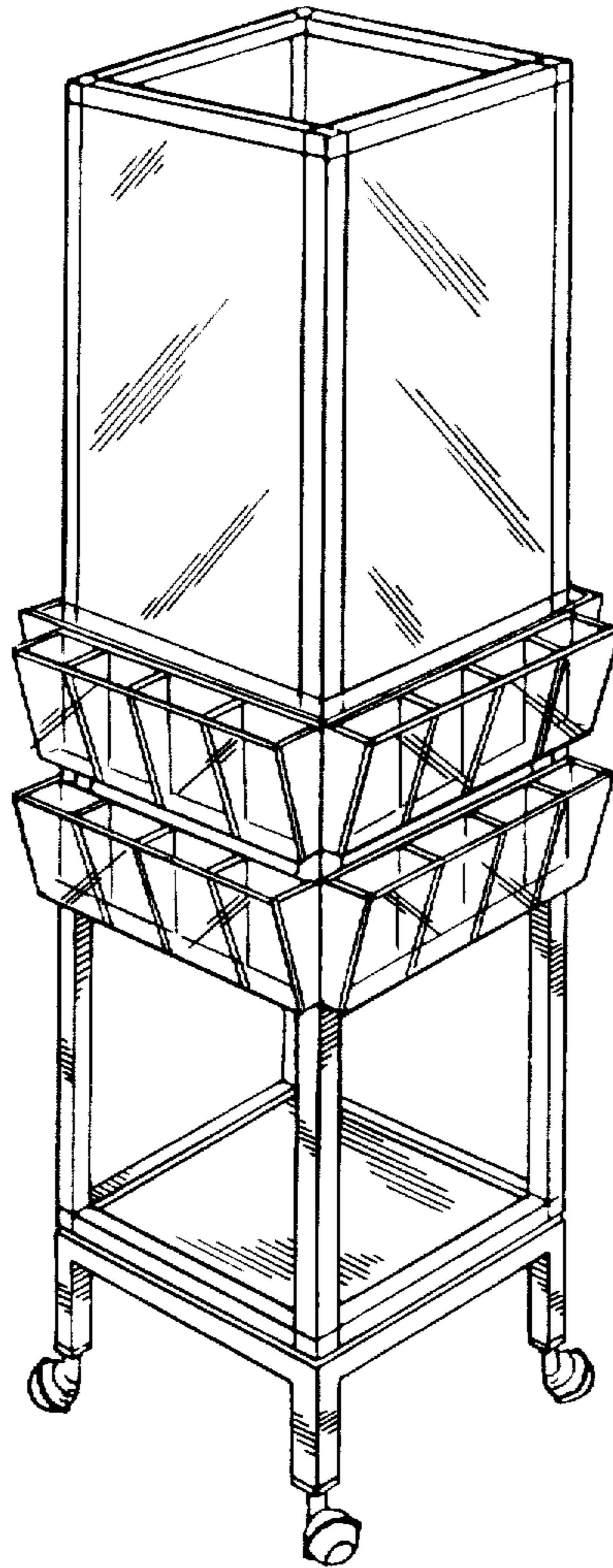


FIG. 1

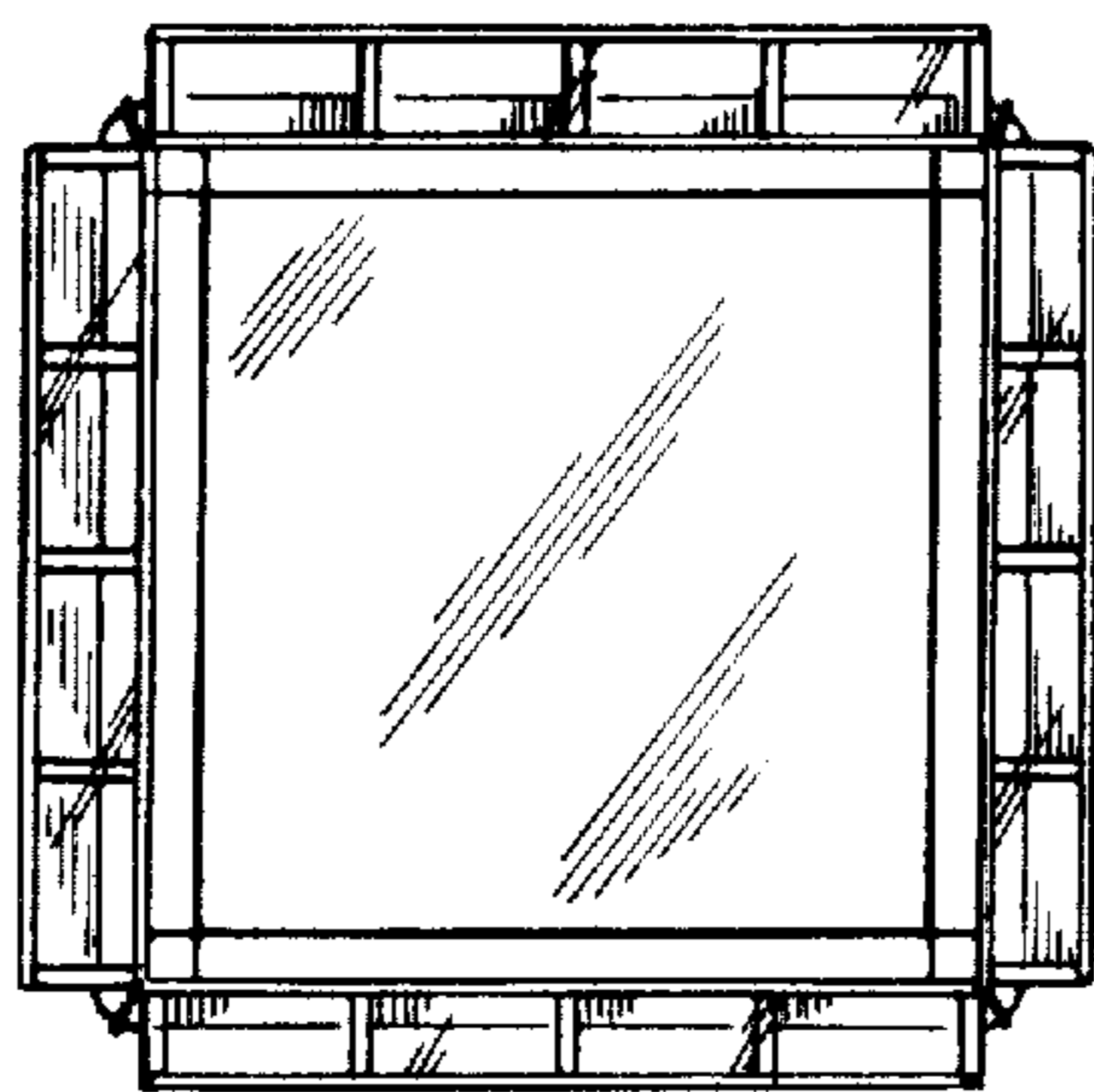


FIG. 2

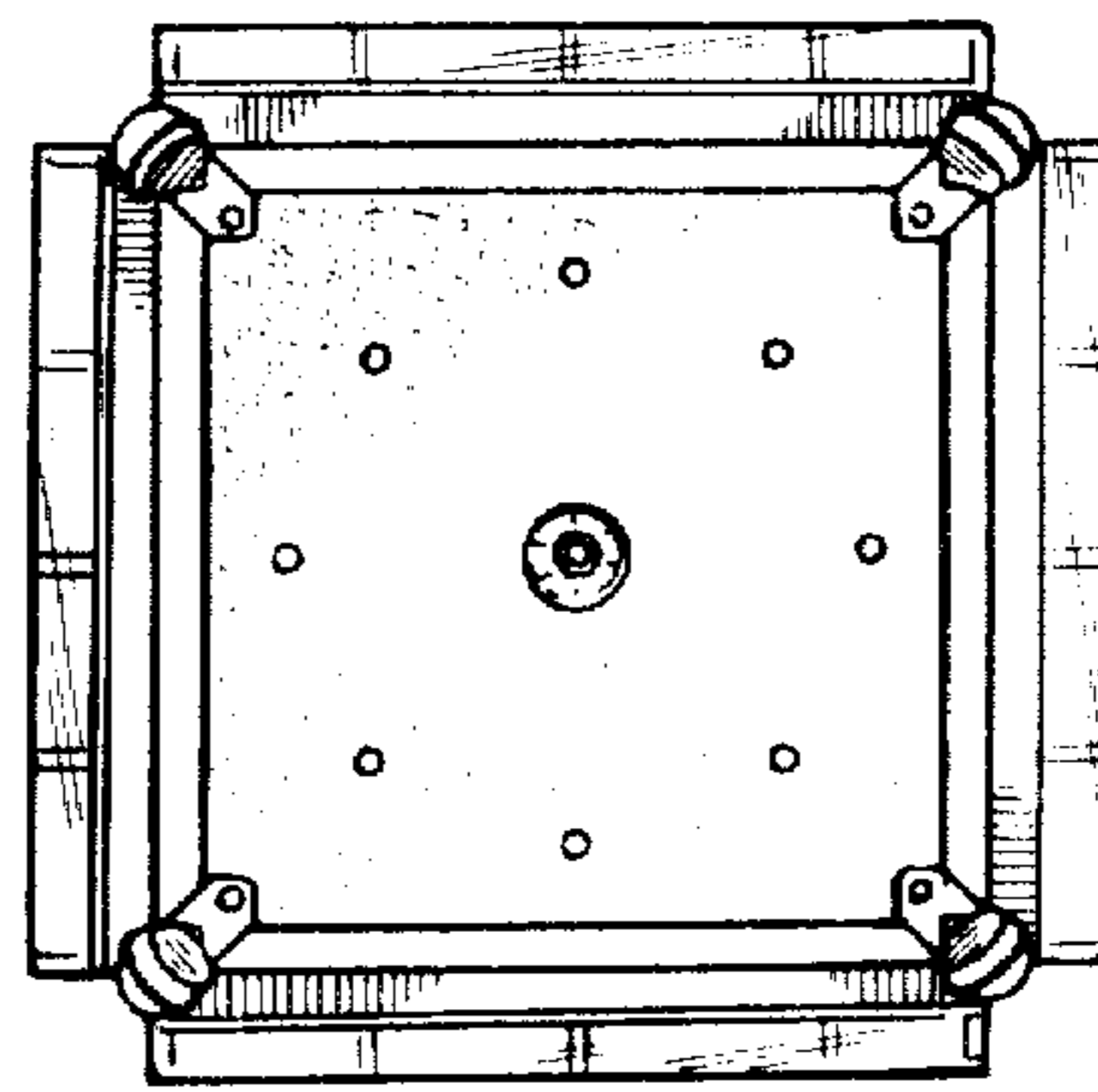


FIG. 3

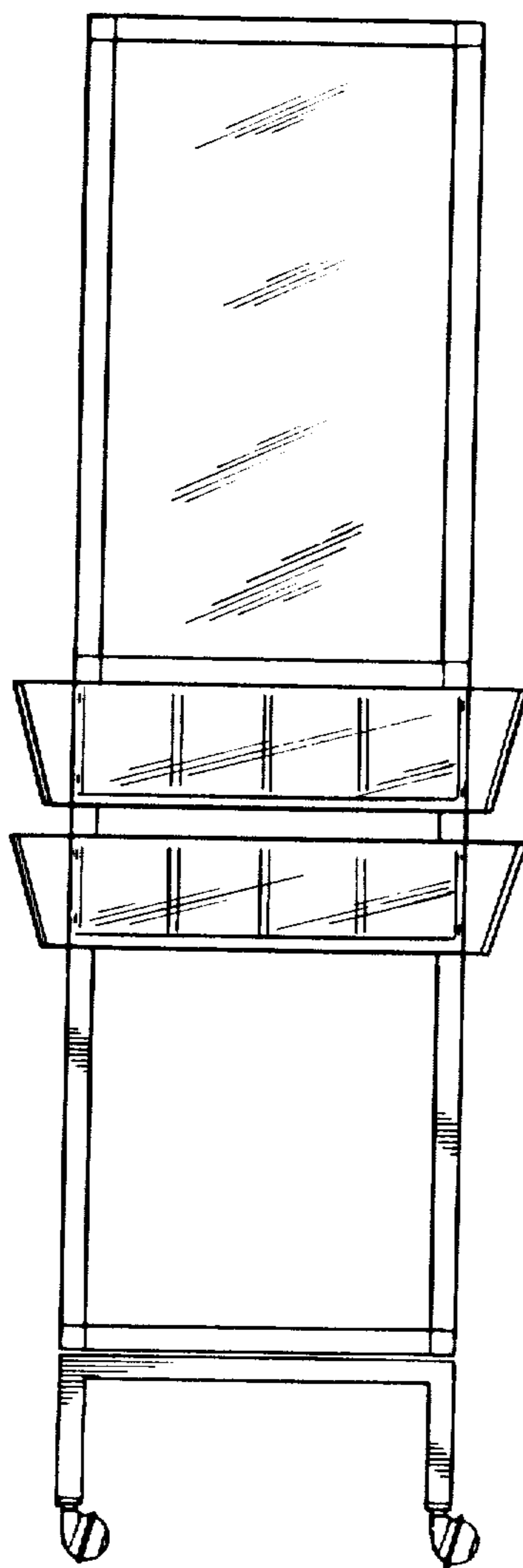


FIG. 4