

[54] COMBINED DESK AND LAMP THEREFOR

891,899 6/1908 Bedford 312/258
2,857,228 10/1958 Koett D6/178 X

[76] Inventor: Russell M. Scott, 13205 Barbara Ann St., #18, North Hollywood, Calif. 91605

Primary Examiner—Joel Stearman
Assistant Examiner—Carmen H. Vales
Attorney, Agent, or Firm—Fulwider, Patton, Rieber, Lee & Utecht

[**] Term: 14 Years

[21] Appl. No.: 132,334

[57] CLAIM

[22] Filed: Mar. 20, 1980

The ornamental design for a combined desk and lamp therefor, substantially as shown and described.

[51] Int. Cl. D6—03

DESCRIPTION

[52] U.S. Cl. D6/156

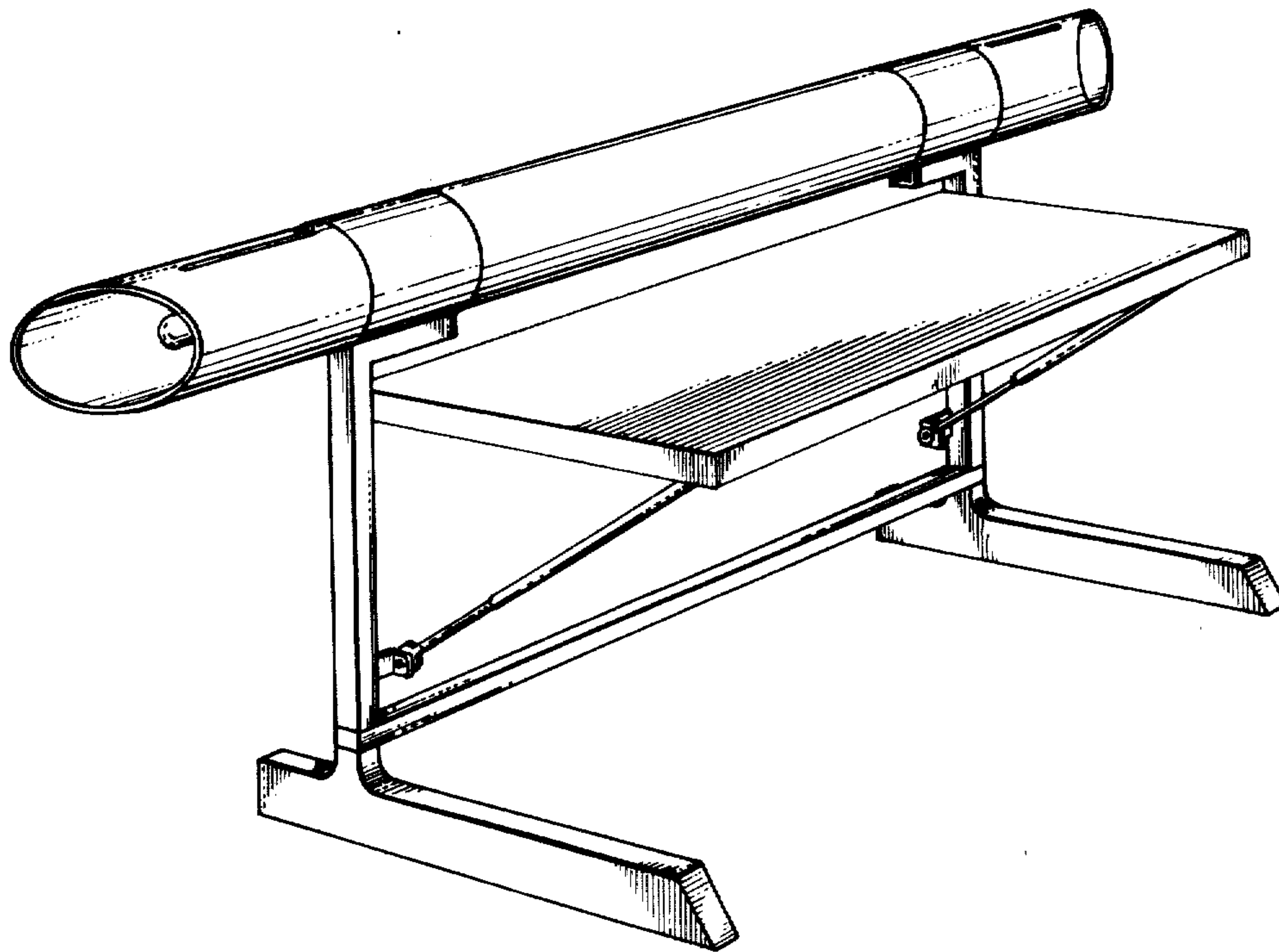
[58] Field of Search D6/156, 177, 178, 4, D6/180, 179; 312/195, 233, 258

FIG. 1 is a top plan view of combined desk and lamp therefor showing my new design;
FIG. 2 is a front elevational view thereof;
FIG. 3 is a right side elevational view thereof, the left side being a mirror image thereof; and
FIG. 4 is an enlarged perspective view of the combined desk and lamp therefor with the desk top in extended position.

[56] References Cited

U.S. PATENT DOCUMENTS

- D. 215,162 9/1969 Robichaud D6/156
- D. 219,459 12/1970 Rieker D6/156
- D. 236,774 9/1975 Cowley D6/156 X



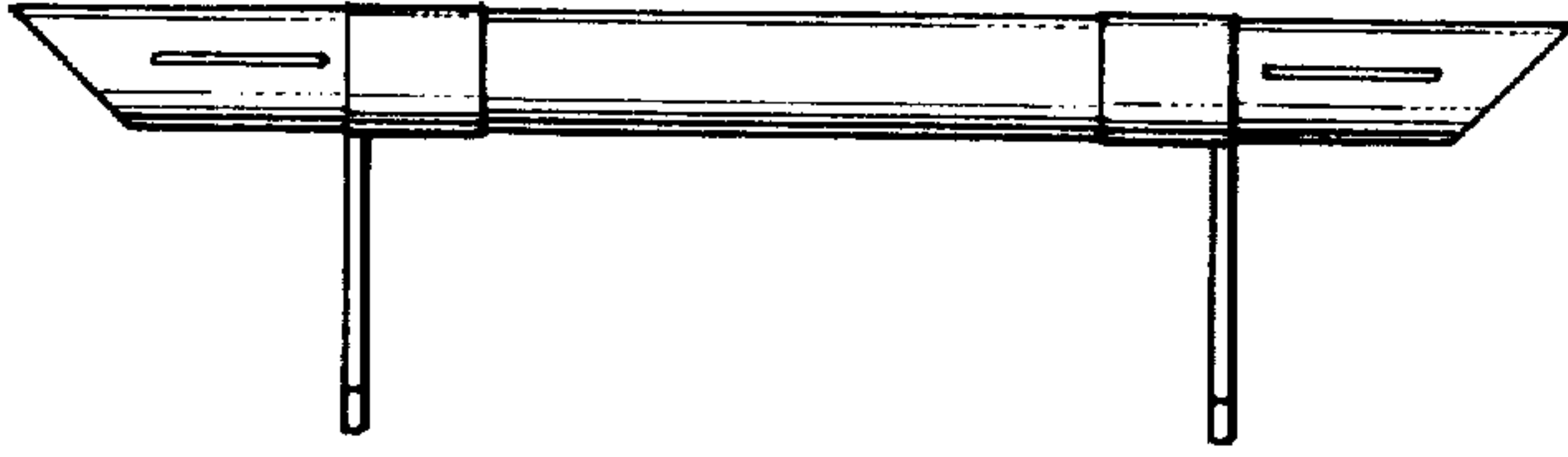


Fig. 1

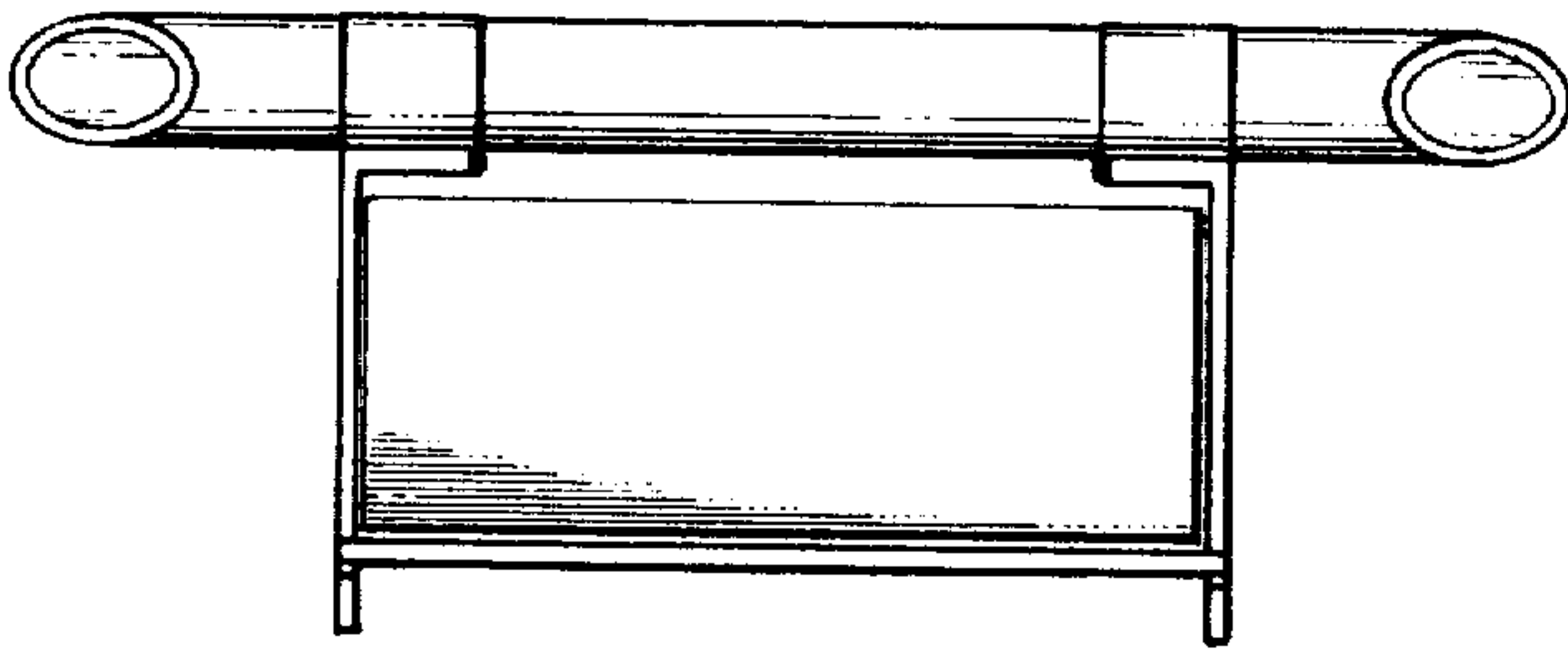


Fig. 2

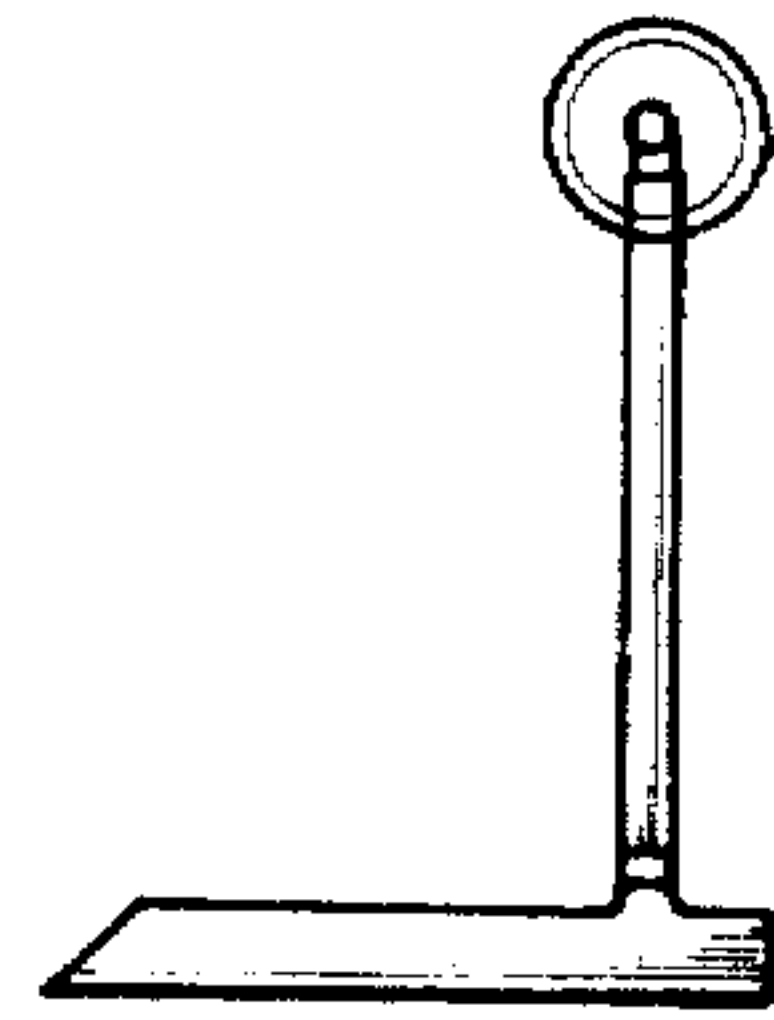


Fig. 3

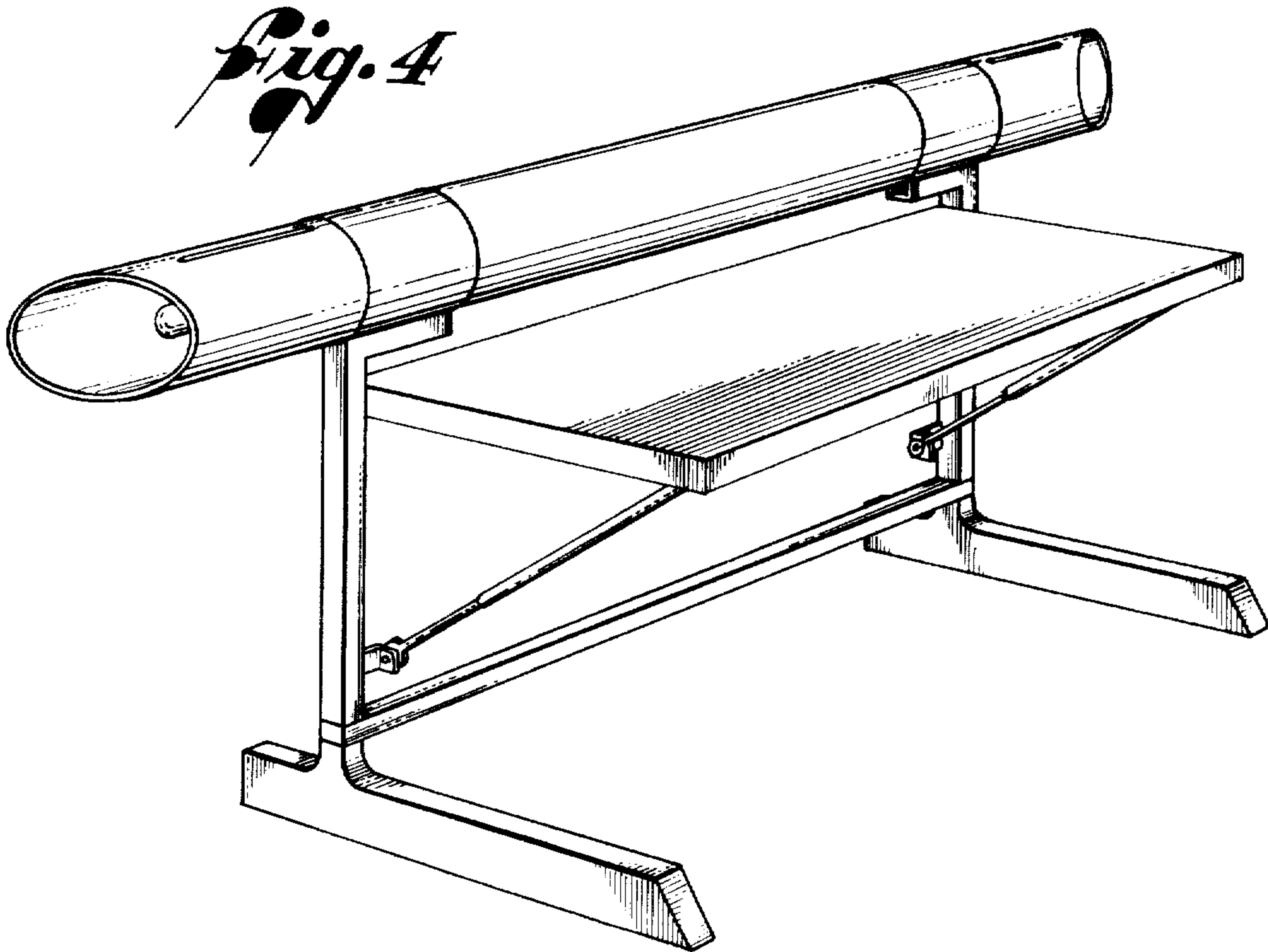


Fig. 4