

[54] ADJUSTABLE PLATE HOLDER

[75] Inventor: James A. Helzer, Cheyenne, Wyo.

[73] Assignee: Unicover Corporation, Cheyenne, Wyo.

[**] Term: 14 Years

[21] Appl. No.: 186,728

[22] Filed: Sep. 11, 1980

[51] Int. Cl. D6—06; D8—08

[52] U.S. Cl. D6/142; D6/85;
D6/114; D8/355; D8/373; D8/380

[58] Field of Search D6/85, 114, 142;
D8/355, 373, 380; 211/41, 87, 89; 248/309 R,
316 D

[56] References Cited

U.S. PATENT DOCUMENTS

D. 259,765	7/1981	Kemper	D8/355
2,265,701	12/1941	Richards	D6/142
2,508,841	5/1950	Schreibman	211/41
2,737,361	3/1956	Petzke	248/316 A

OTHER PUBLICATIONS

J. B. Timberlake Cat. 29, p. 21, Adjustable Plaque Hanger.

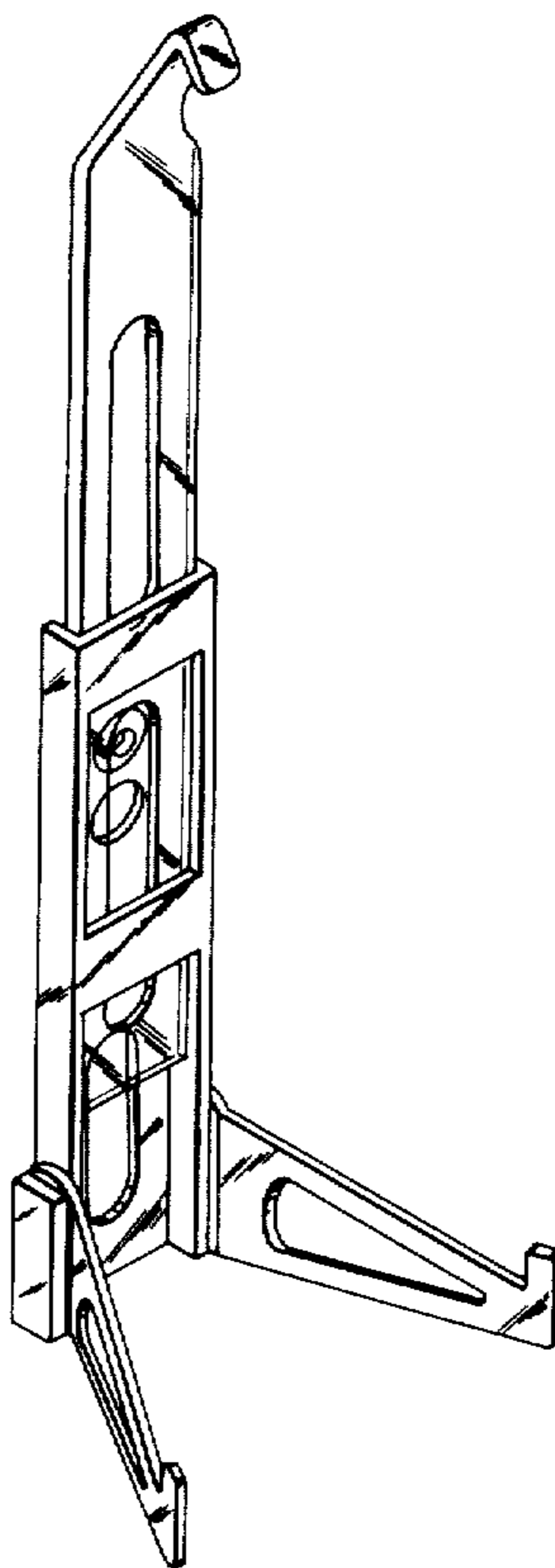
Primary Examiner—B. J. Bullock
Attorney, Agent, or Firm—Larson and Taylor

[57] CLAIM

The ornamental design for an adjustable plate holder, as shown and described.

DESCRIPTION

FIG. 1 is a front elevational view of an adjustable plate holder showing my new design;
FIG. 2 is a rear elevational view of FIG. 1;
FIG. 3 is a bottom plan view of FIG. 1;
FIG. 4 is a top plan view of FIG. 1;
FIG. 5 is a side elevational view taken from the left of FIG. 1, the side opposite being a mirror image thereof;
FIG. 6 is a reduced perspective view of FIG. 1;
FIG. 7 is a front elevational view of a second embodiment of the design of FIG. 1;
FIG. 8 is a rear elevational view of FIG. 7;
FIG. 9 is a bottom plan view of FIG. 7;
FIG. 10 is a top plan view of FIG. 7;
FIG. 11 is a side elevational view taken from the left of FIG. 7, the side opposite being a mirror image thereof;
FIG. 12 is a reduced perspective view of FIG. 7.



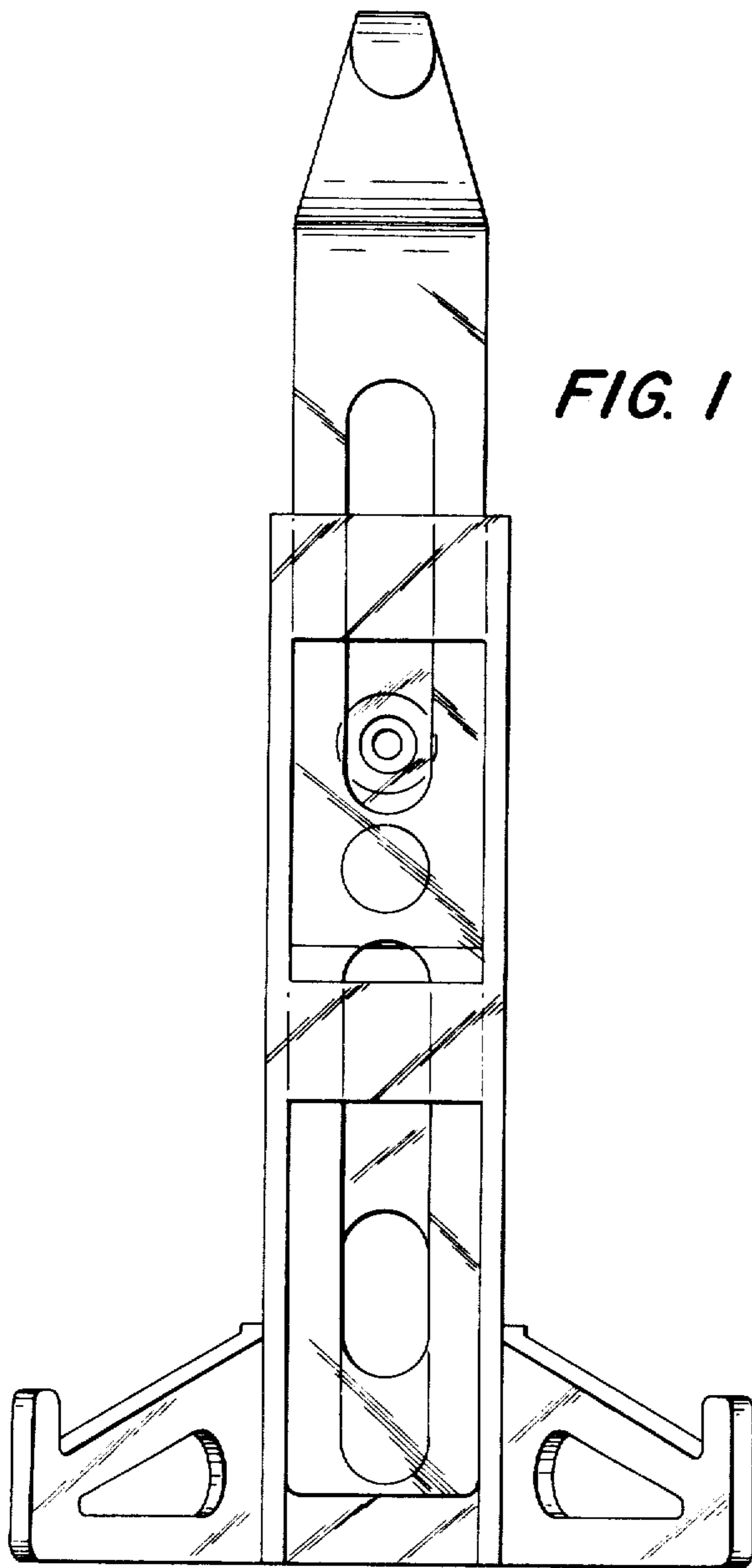


FIG. 1

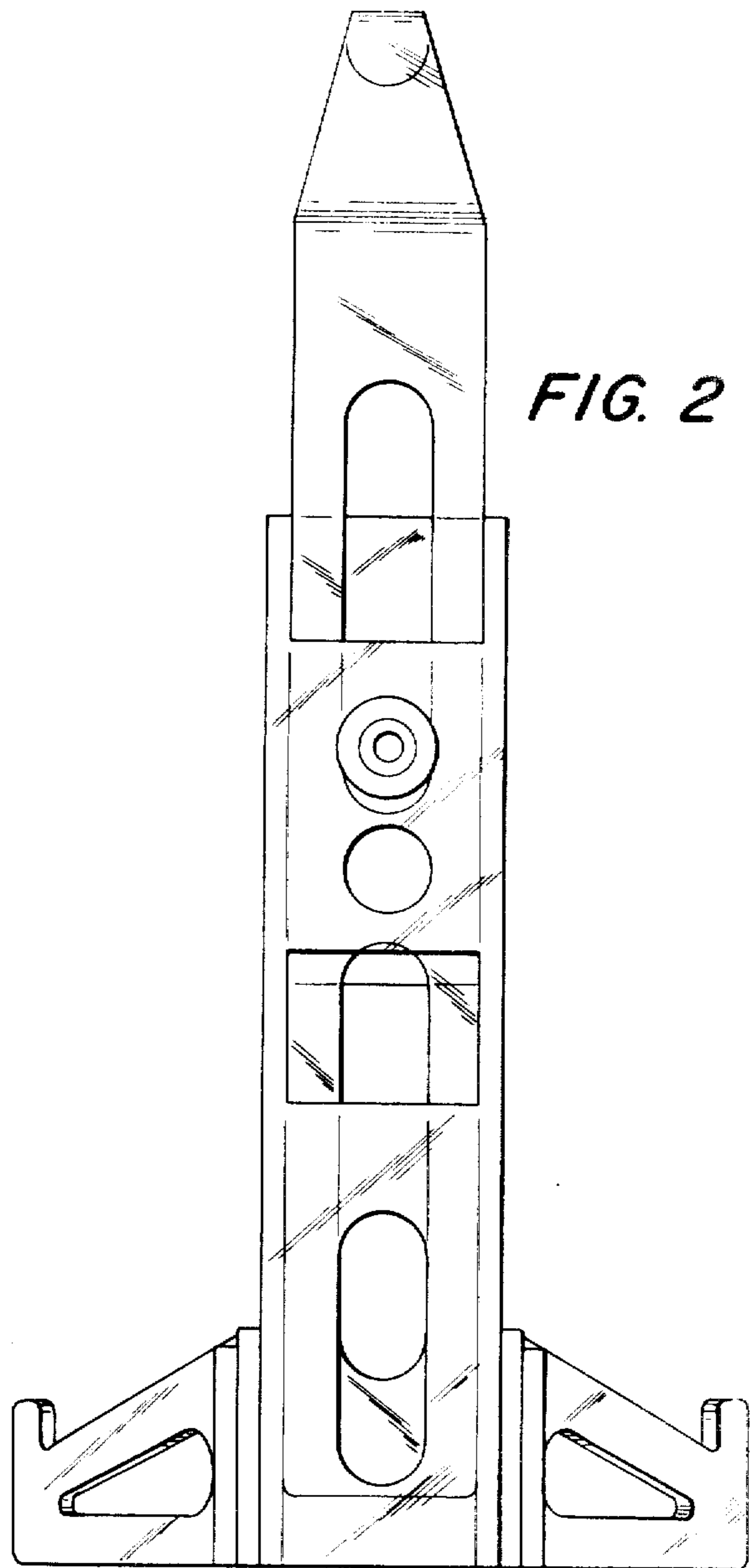


FIG. 2

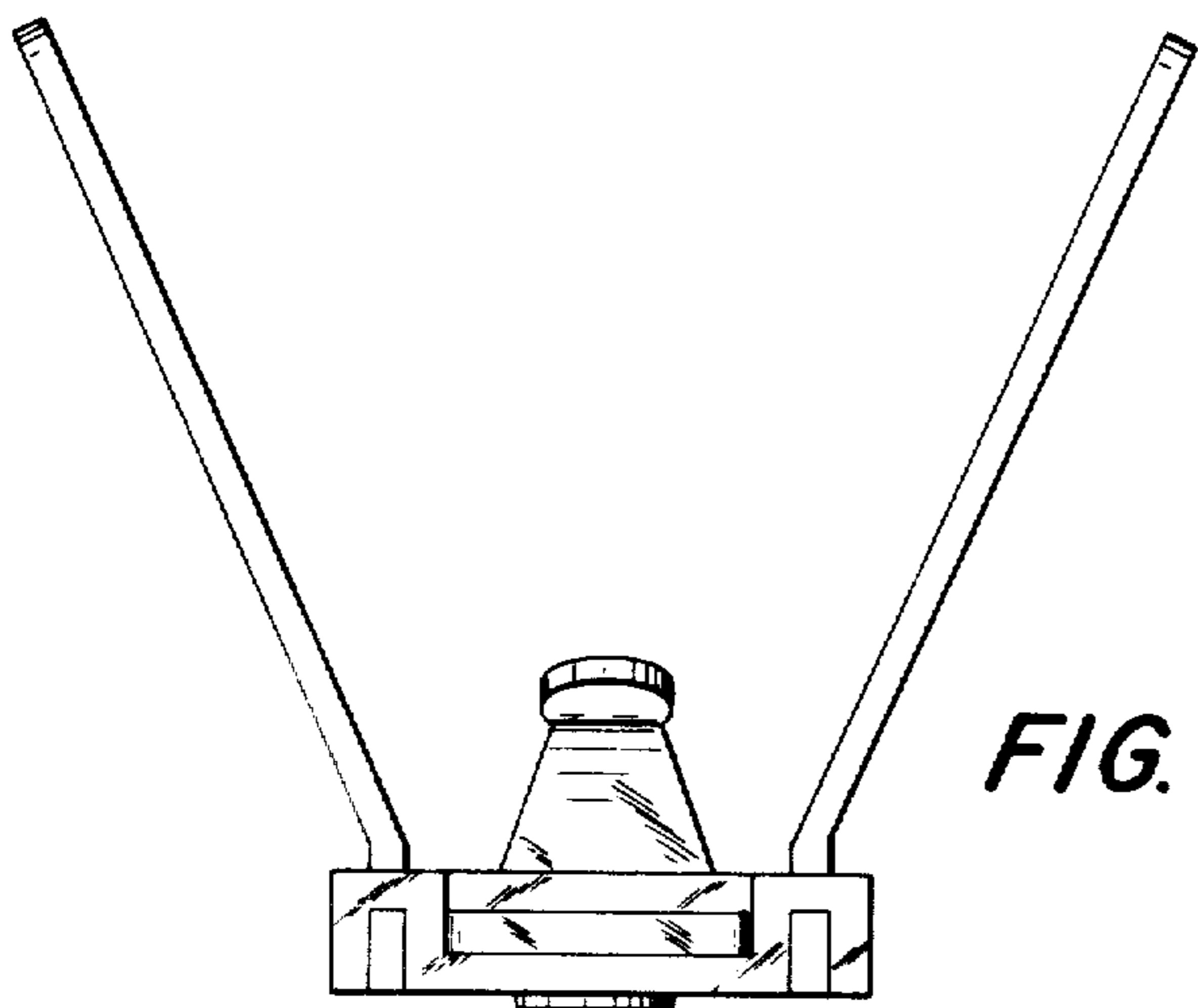


FIG. 3

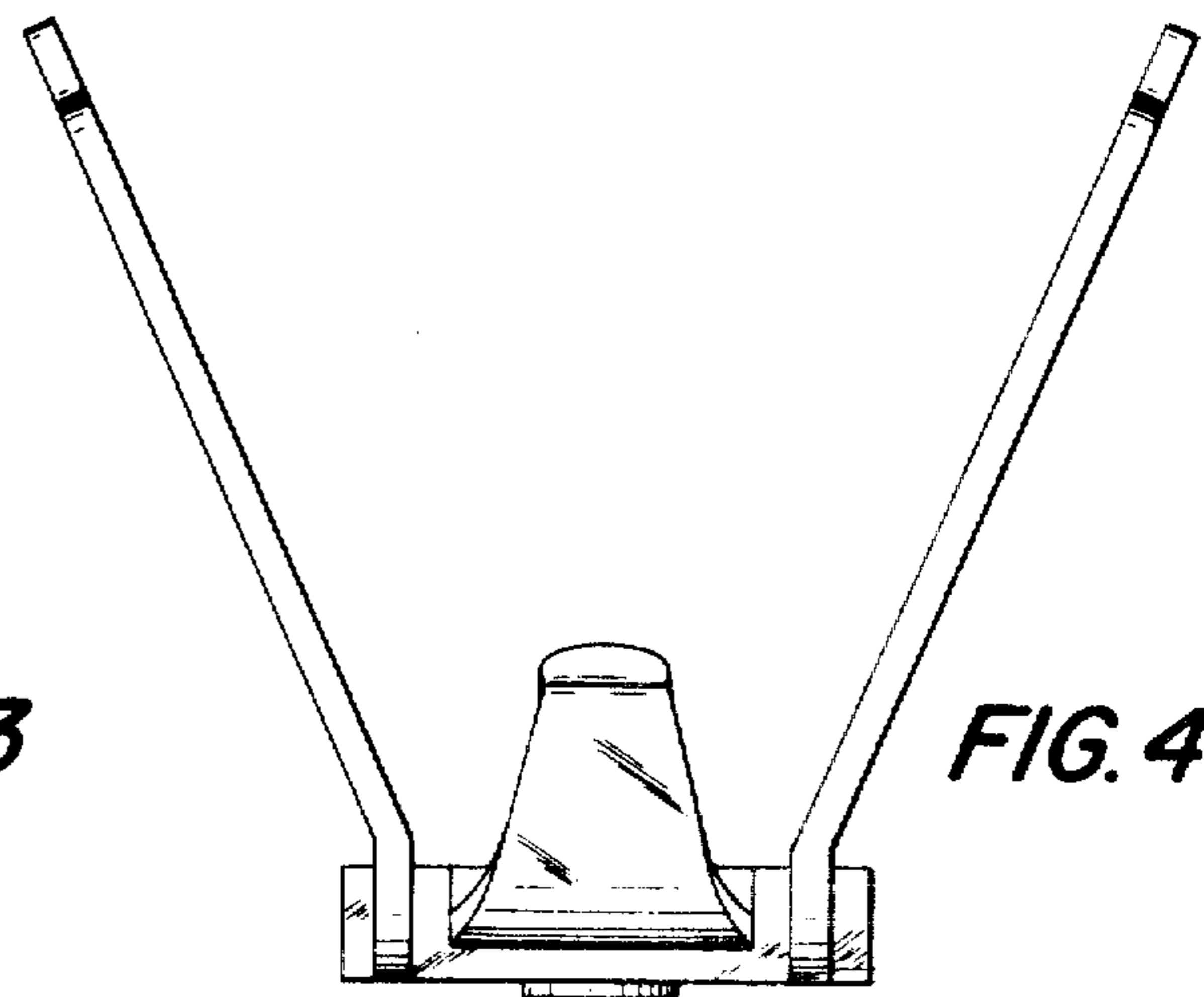


FIG. 4

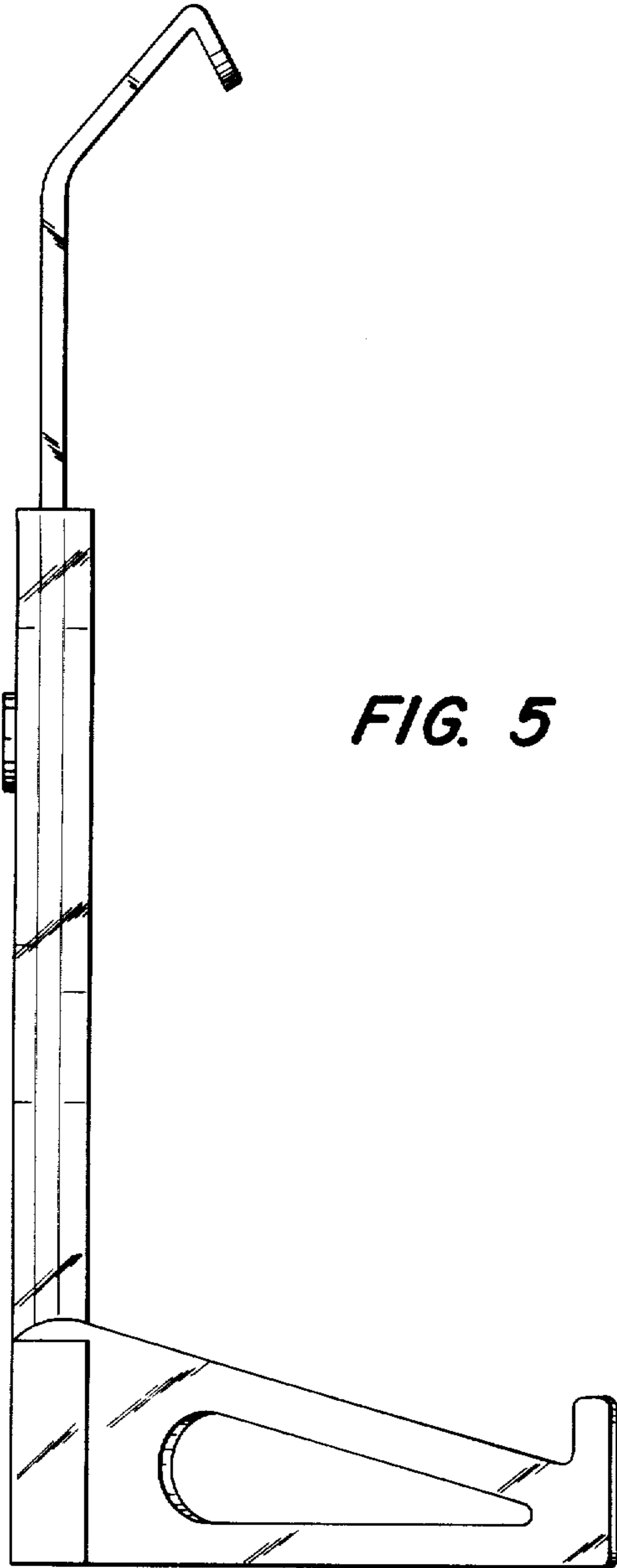


FIG. 5

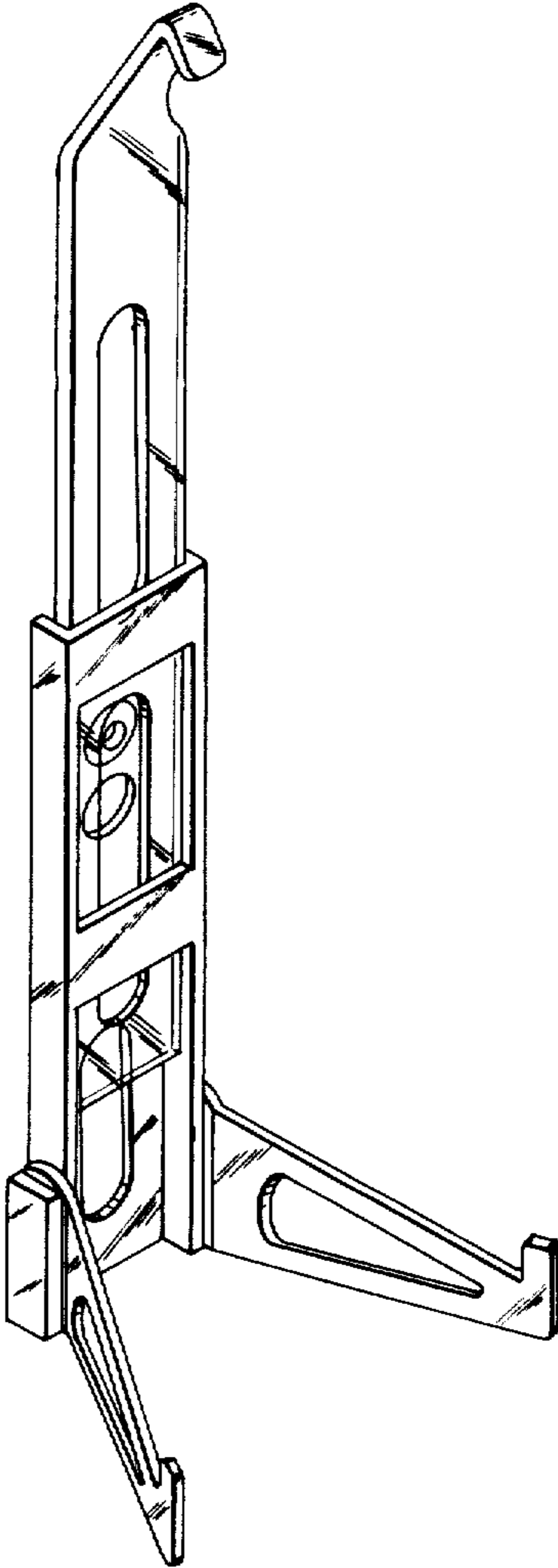


FIG. 6

