

[54] **INFLATABLE UMBRELLA**

[76] **Inventor:** Harry Strickler, Bahnweg 119, 8606 Meizen, Switzerland

[**] **Term:** 14 Years

[21] **Appl. No.:** 153,196

[22] **Filed:** May 27, 1980

[51] **Int. Cl.** D3-03
[52] **U.S. Cl.** D3/5
[58] **Field of Search** D3/5; 135/20 B

[56]

References Cited

U.S. PATENT DOCUMENTS

D. 229,124 11/1973 Turner D3/5
2,401,252 5/1946 Klimashesky 135/20 B

FOREIGN PATENT DOCUMENTS

444394 9/1967 Switzerland 135/20 B

Primary Examiner—Lester L. Lee

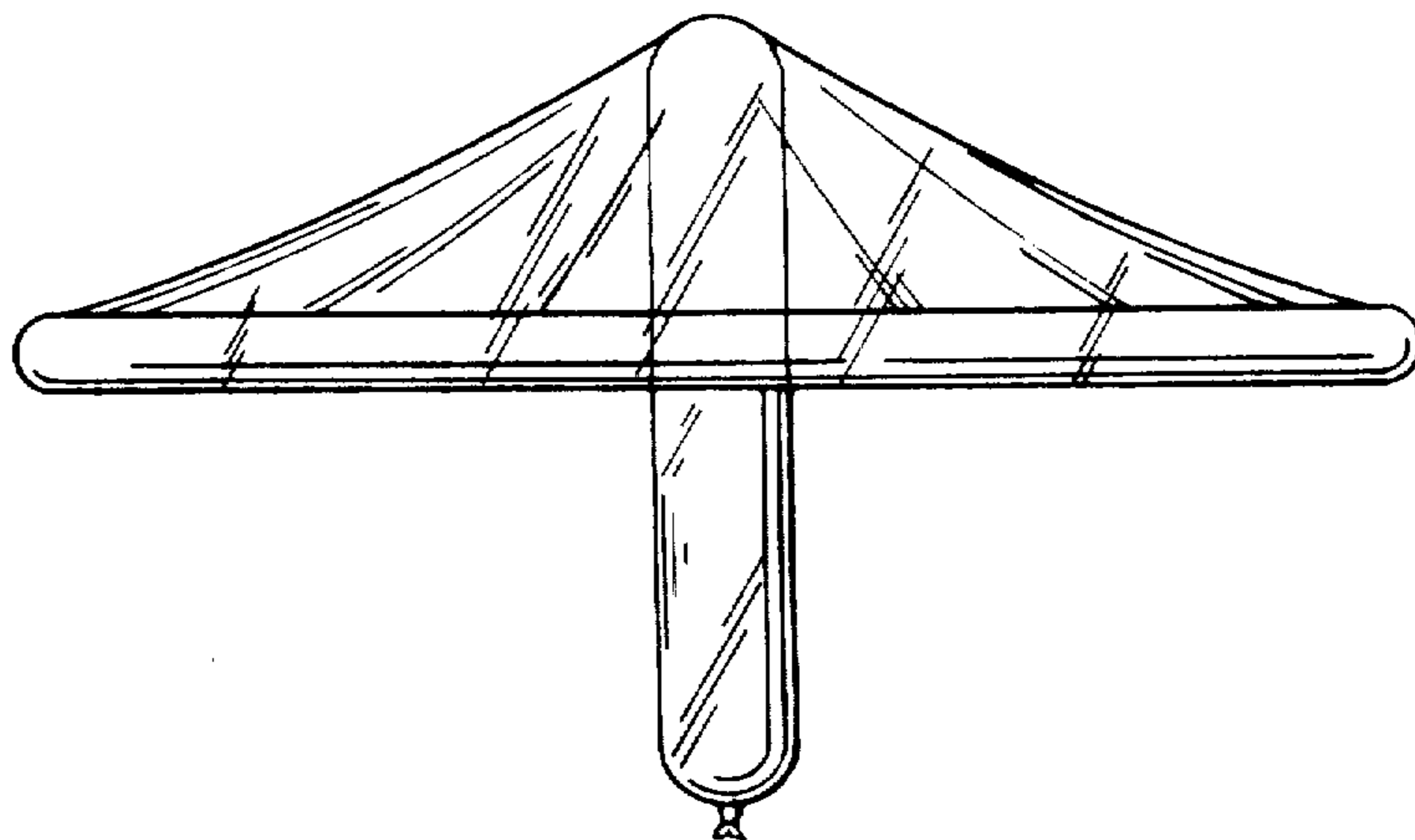
[57]

CLAIM

The ornamental design for an inflatable umbrella, as shown and described.

DESCRIPTION

FIG. 1 is a perspective view of an inflatable umbrella showing my new design;
FIG. 2 is a side elevational view thereof; and
FIG. 3 is a bottom plan view thereof.



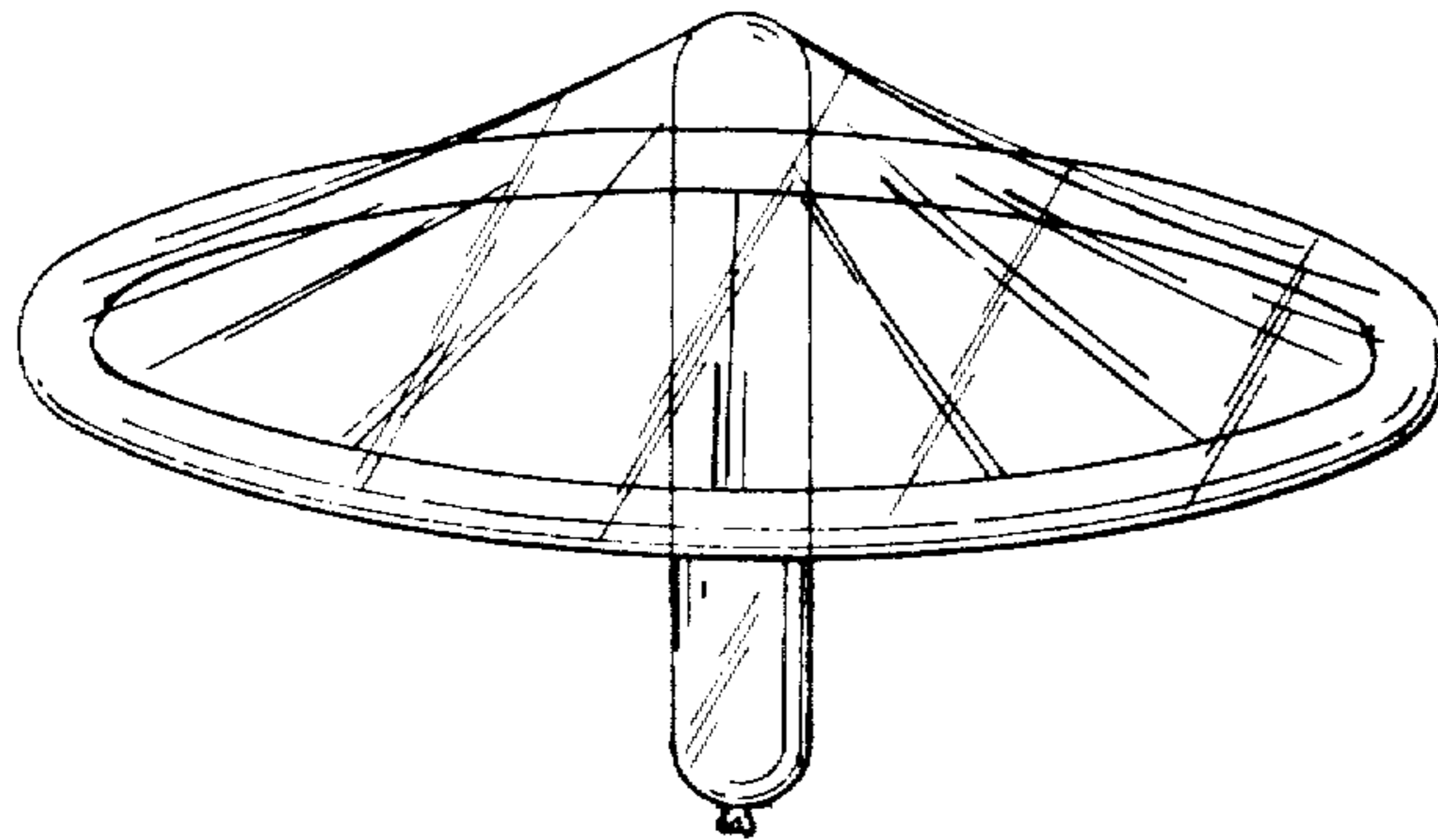


FIG. 1

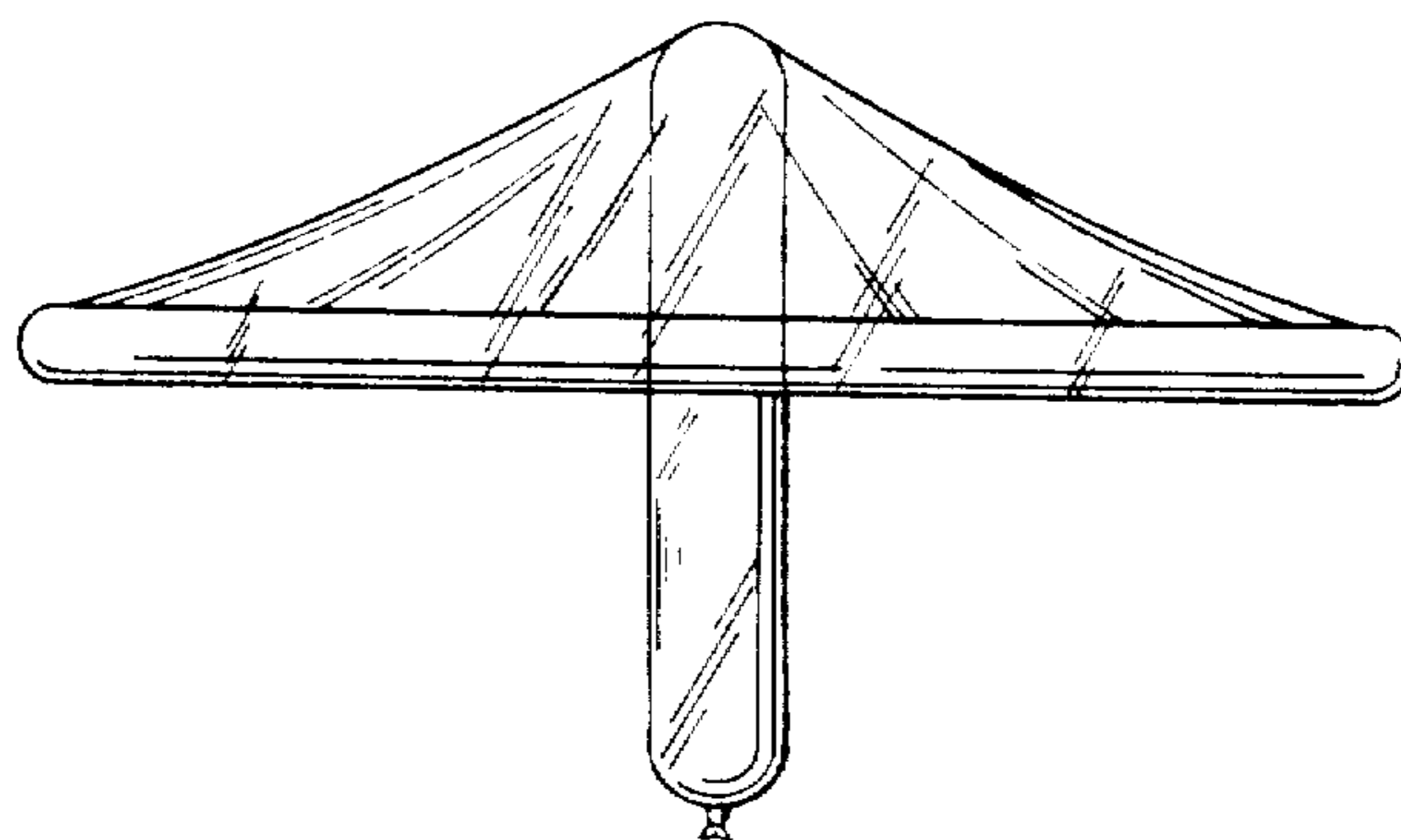


FIG. 2

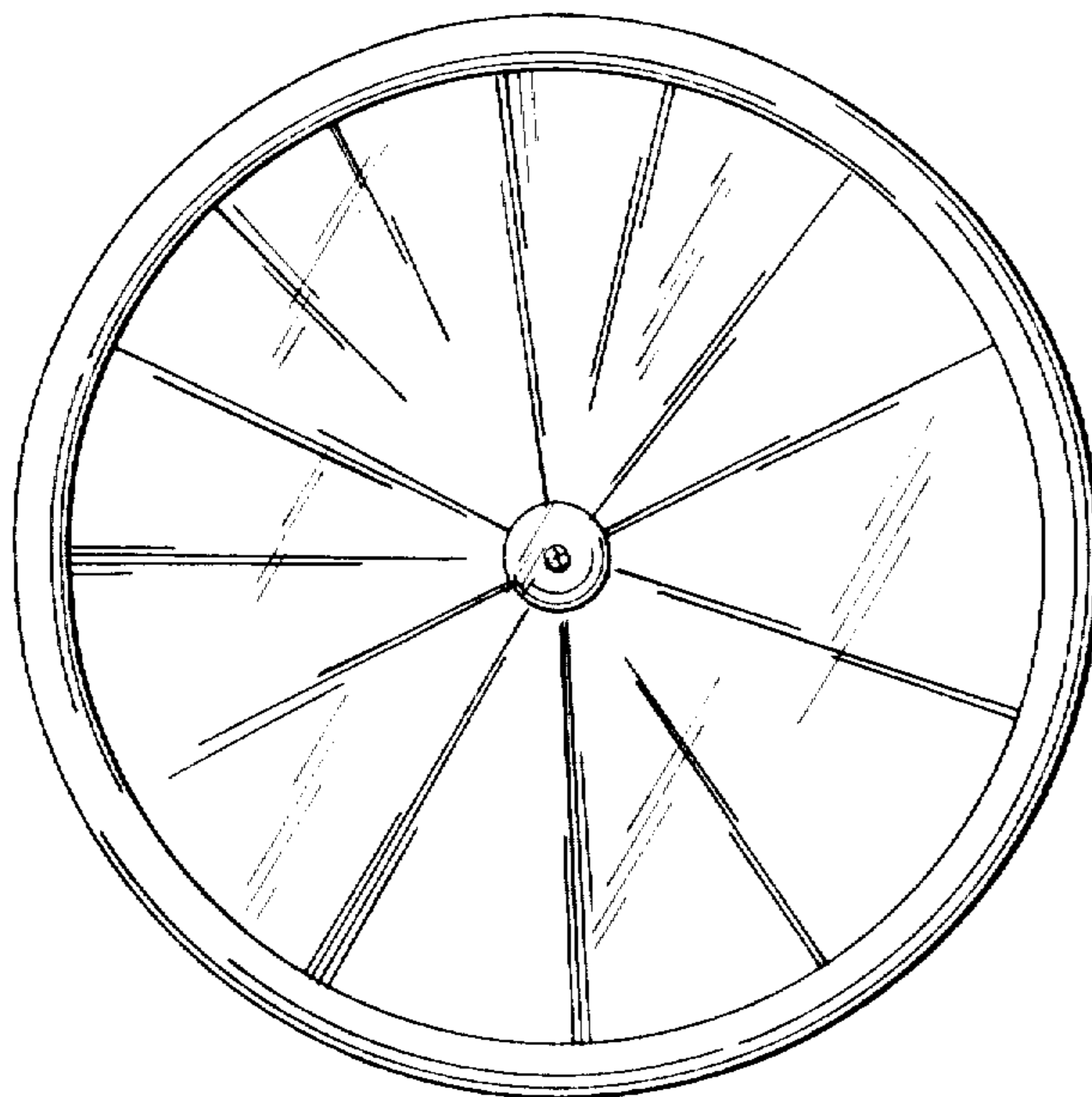


FIG. 3