

[54] SHOWERHEAD

[76] Inventor: Scott W. Miller, 420 Pilgrim La., Stratford, Conn. 06497

[**] Term: 14 Years

[21] Appl. No.: 323,866

[22] Filed: Nov. 23, 1981

[51] Int. Cl. D23-01

[52] U.S. Cl. D23/35

[58] Field of Search D23/34-38; 739/282, 283, 310, 318, 380-383, 443-449, 499, 525, 529, 548, 551, 552, 556, 558-560, 563, 564, 567, 568, 581-583, 586-588, 590.3, 590.5

[56] References Cited

U.S. PATENT DOCUMENTS

D. 118,419	1/1940	Rockwood	D23/35
D. 152,054	12/1978	Bletcher et al.	D23/35
D. 153,490	4/1979	Beebee	D23/35
D. 191,428	9/1961	Leighton	D23/35
D. 231,829	6/1974	Fraiser	D23/35

D. 251,983	5/1979	Dunkin	D23/35
D. 262,396	12/1981	Whedon	D23/35
2,985,385	5/1961	Bowers et al.	239/587 X
3,722,799	3/1973	Rauh	239/443
4,010,899	3/1977	Heitzman	239/447
4,013,230	3/1977	Gondek	239/499
4,082,225	4/1978	Haynes	239/499
4,202,501	5/1980	Haynes	239/570

OTHER PUBLICATIONS

Domestic Engineering, May 1960, p. 165, "Shower Head" item.

Hardware Age, Aug. 23, 1962, p. 67, top left item.

Primary Examiner—James R. Largen

[57] CLAIM

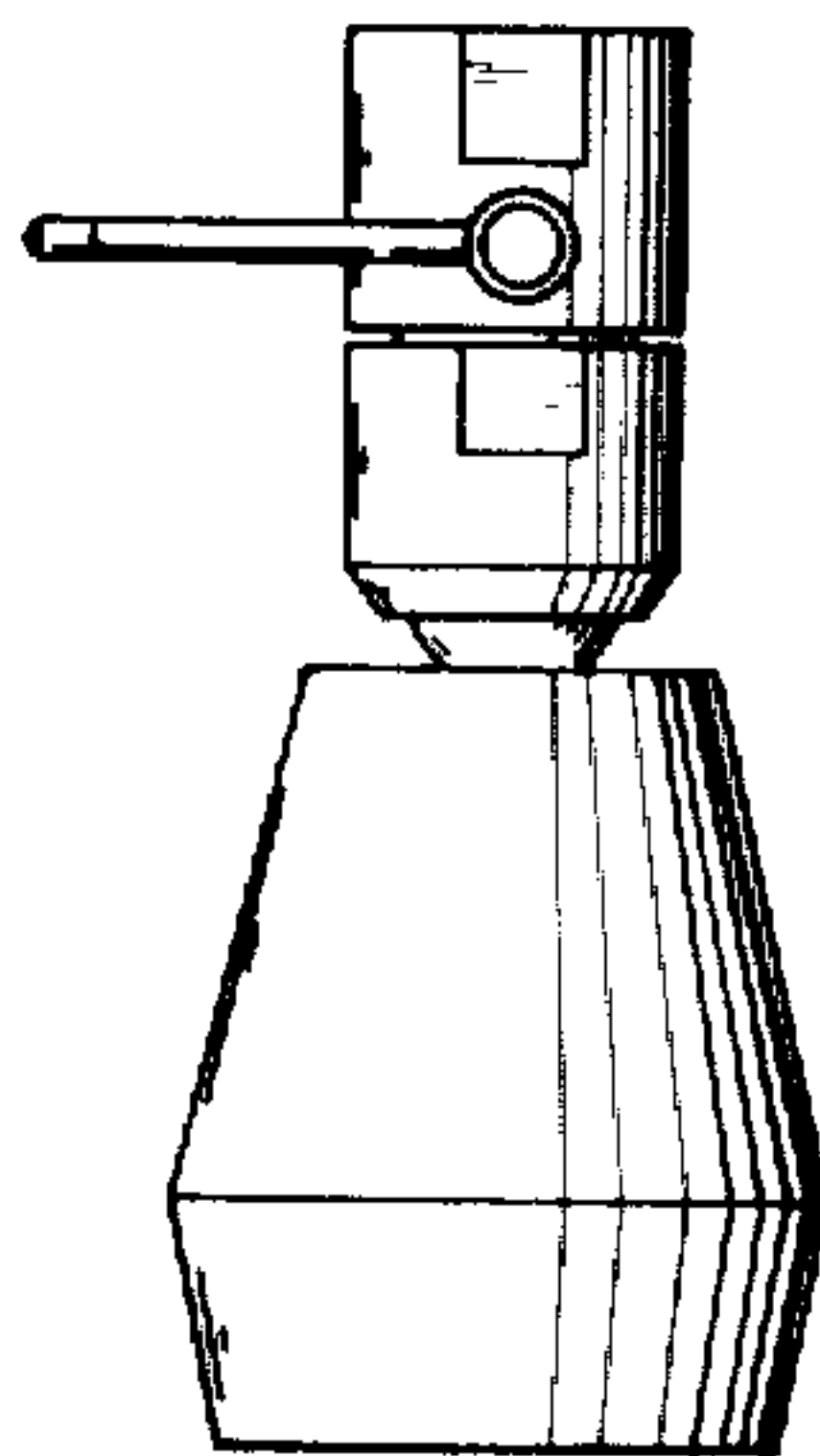
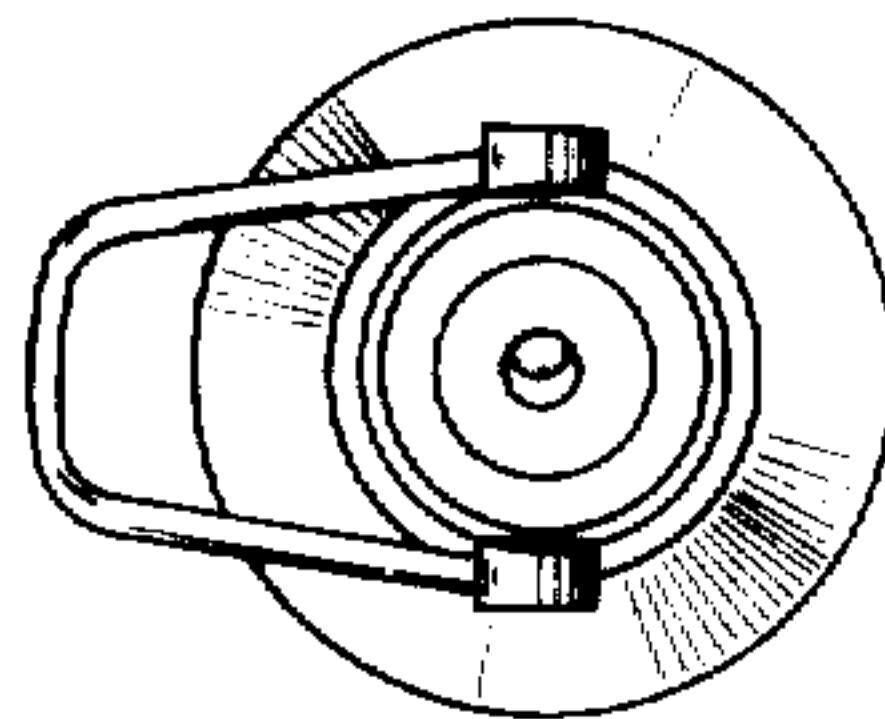
The ornamental design for the showerhead, substantially as shown and described.

DESCRIPTION

FIG. 1 is a side elevation view of a showerhead showing my new design;

FIG. 2 is a top plan view thereof; and

FIG. 3 is a bottom plan view thereof.



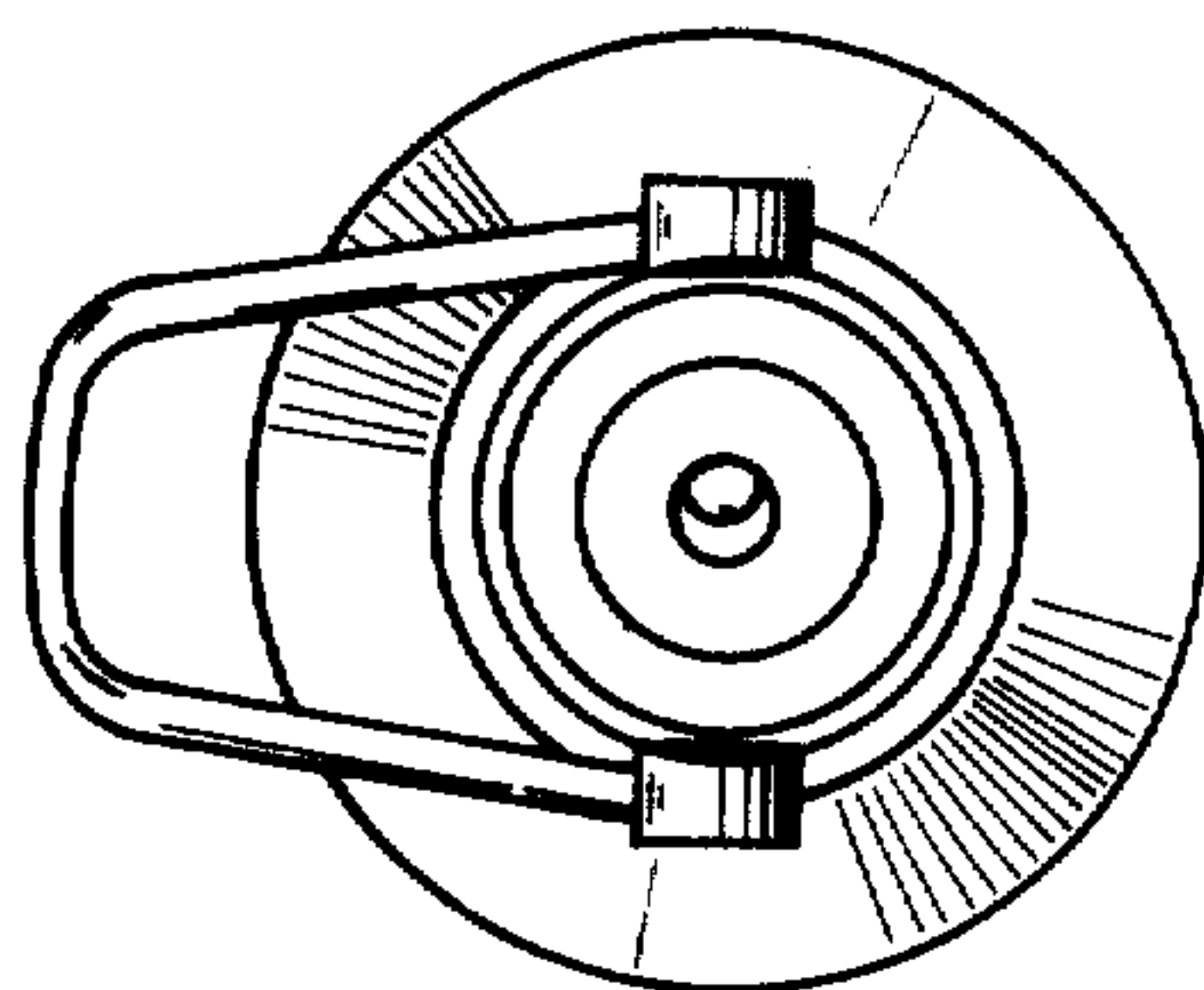


FIG. 2

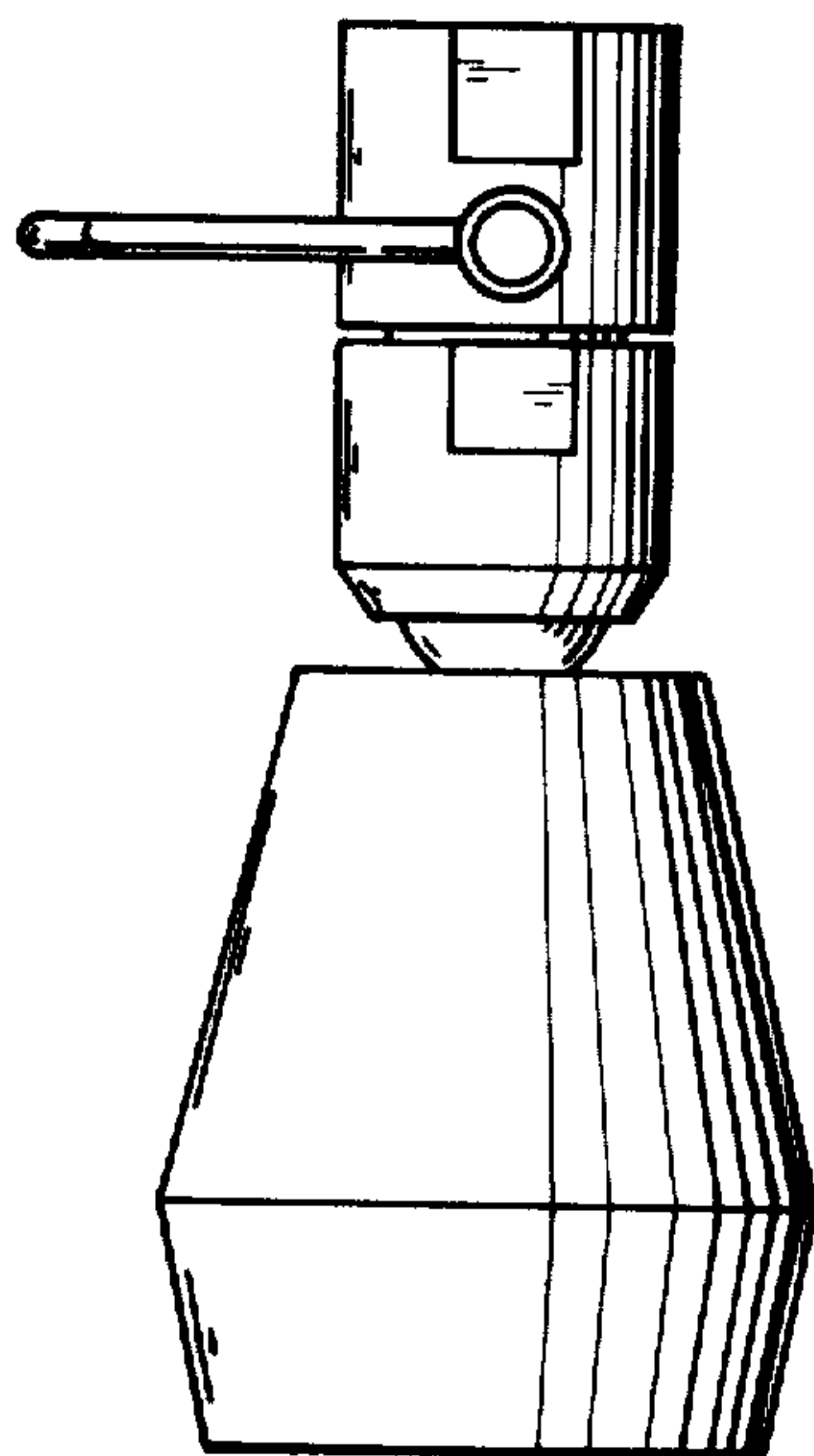


FIG. 1

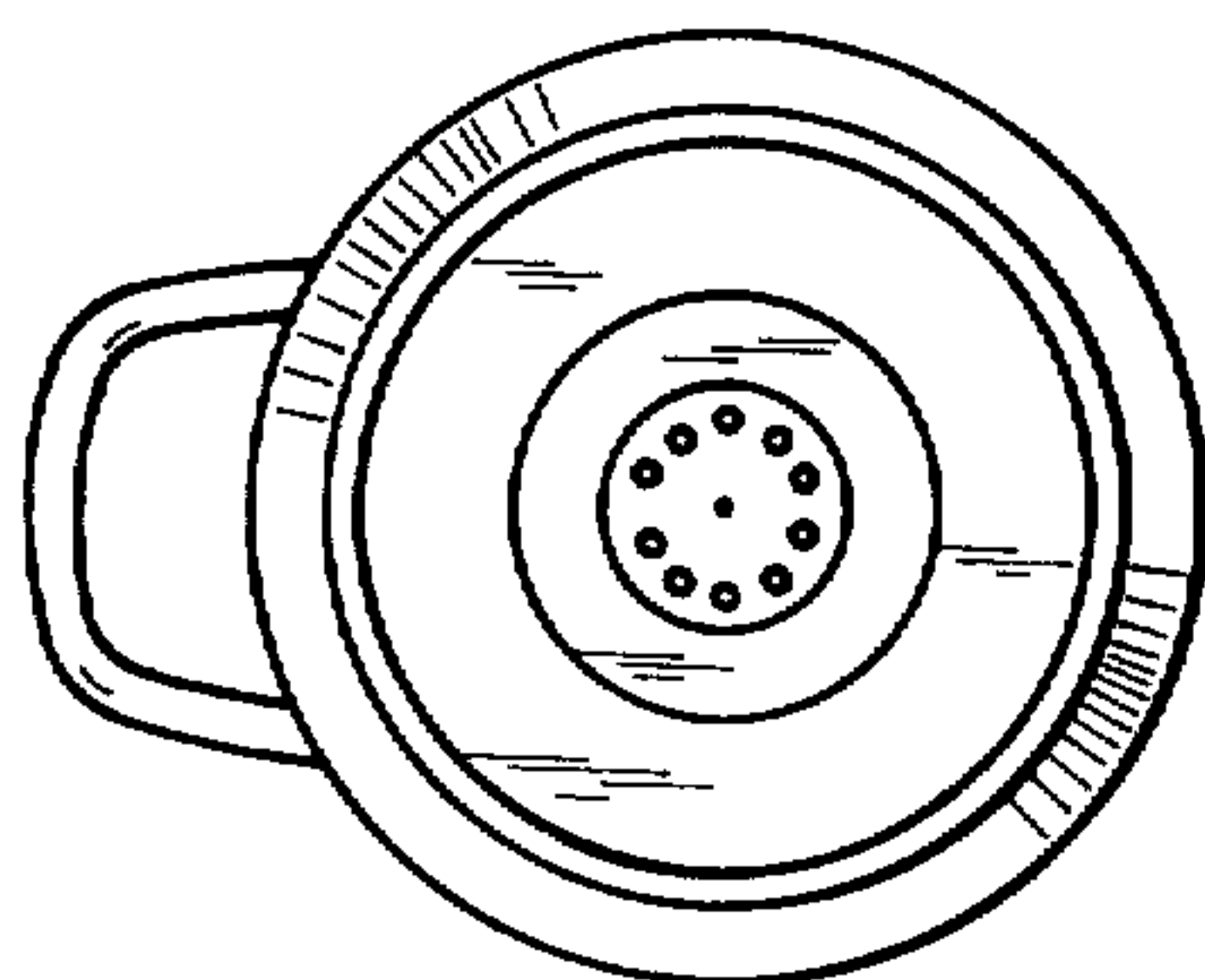


FIG. 3