

[54] **WATERING CAN OR THE LIKE**

[75] Inventors: **James B. Swett**, Altamonte Springs, Fla.; **Joseph W. Blake, III**, New Canaan, Conn.; **Rino Conti**, Stoughton, Mass.

[73] Assignee: **Dart Industries Inc.**, Northbrook, Ill.

[**] Term: **14 Years**

[21] Appl. No.: **181,606**

[22] Filed: **Aug. 27, 1980**

[51] Int. Cl. **D23-01**

[52] U.S. Cl. **D23/11; D7/60; D7/66**

[58] Field of Search **D23/11; D7/59, 60, 64, D7/65, 66, 67; 222/465, 572, 573; 239/377, 436**

[56] **References Cited**

U.S. PATENT DOCUMENTS

| | | | | |
|------------|---------|--------------|-------|--------|
| D. 172,675 | 7/1954 | Mandell | | D23/11 |
| D. 184,893 | 4/1959 | Reinicke | | D58/17 |
| D. 192,519 | 4/1962 | Roop | | D23/11 |
| D. 209,341 | 11/1967 | Galo | | D23/11 |
| D. 229,056 | 11/1973 | Grotz | | D23/01 |
| D. 240,129 | 6/1976 | Grotz | | D23/01 |
| D. 241,032 | 8/1976 | Burke et al. | | D23/11 |

| | | | | |
|------------|---------|--------------|-------|----------|
| D. 241,248 | 8/1976 | Burko et al. | | D23/11 |
| D. 251,129 | 2/1979 | Behling | | D23/11 |
| 630,583 | 8/1889 | Birk | . | |
| 796,717 | 3/1905 | Gray | . | |
| 1,890,608 | 11/1931 | Hurtado | . | |
| 2,131,714 | 9/1938 | Woelfer, Jr. | . | |
| 2,372,466 | 3/1945 | Zvolanek | | 239/377 |
| 2,516,728 | 7/1950 | Smith | | 222/108 |
| 2,737,417 | 3/1956 | Gundersen | | 299/102 |
| 3,648,933 | 3/1972 | Grotz | | 237/377 |
| 4,030,664 | 6/1977 | Tirbo et al. | | D23/11 X |

Primary Examiner—James R. Largen
Attorney, Agent, or Firm—John A. Doninger

[57] **CLAIM**

The ornamental design for a watering can or the like, substantially as shown and described.

DESCRIPTION

FIG. 1 is a perspective view taken from the top, front and right side of a watering can or the like showing our new design;

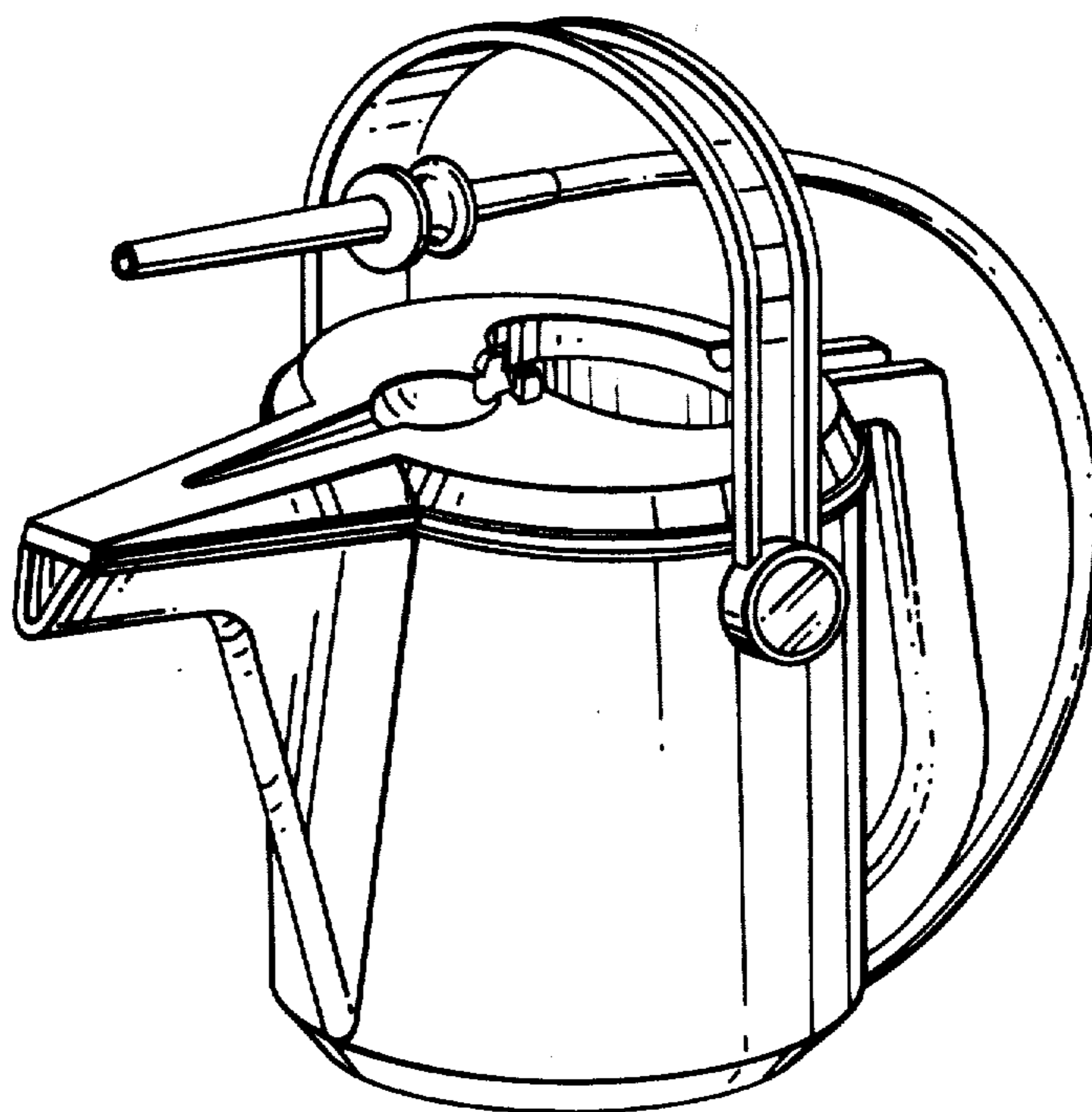
FIG. 2 is a front elevational view thereof;

FIG. 3 is a left side elevational view thereof;

FIG. 4 is a rear elevational view thereof;

FIG. 5 is a top plan view thereof, the dispensing tube and nozzle being broken away for convenience of illustration; and

FIG. 6 is a bottom plan view thereof.



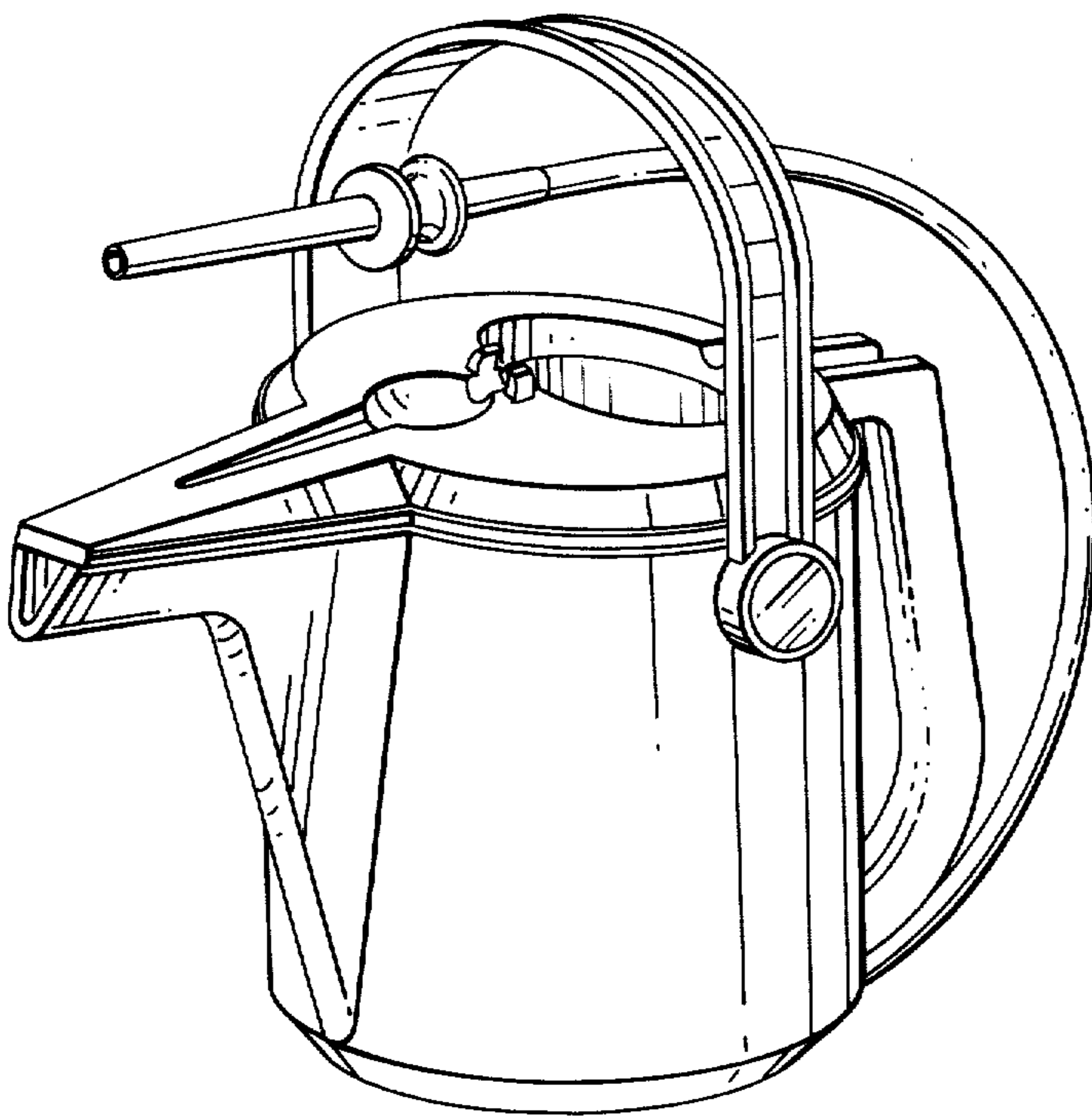


FIG. 1

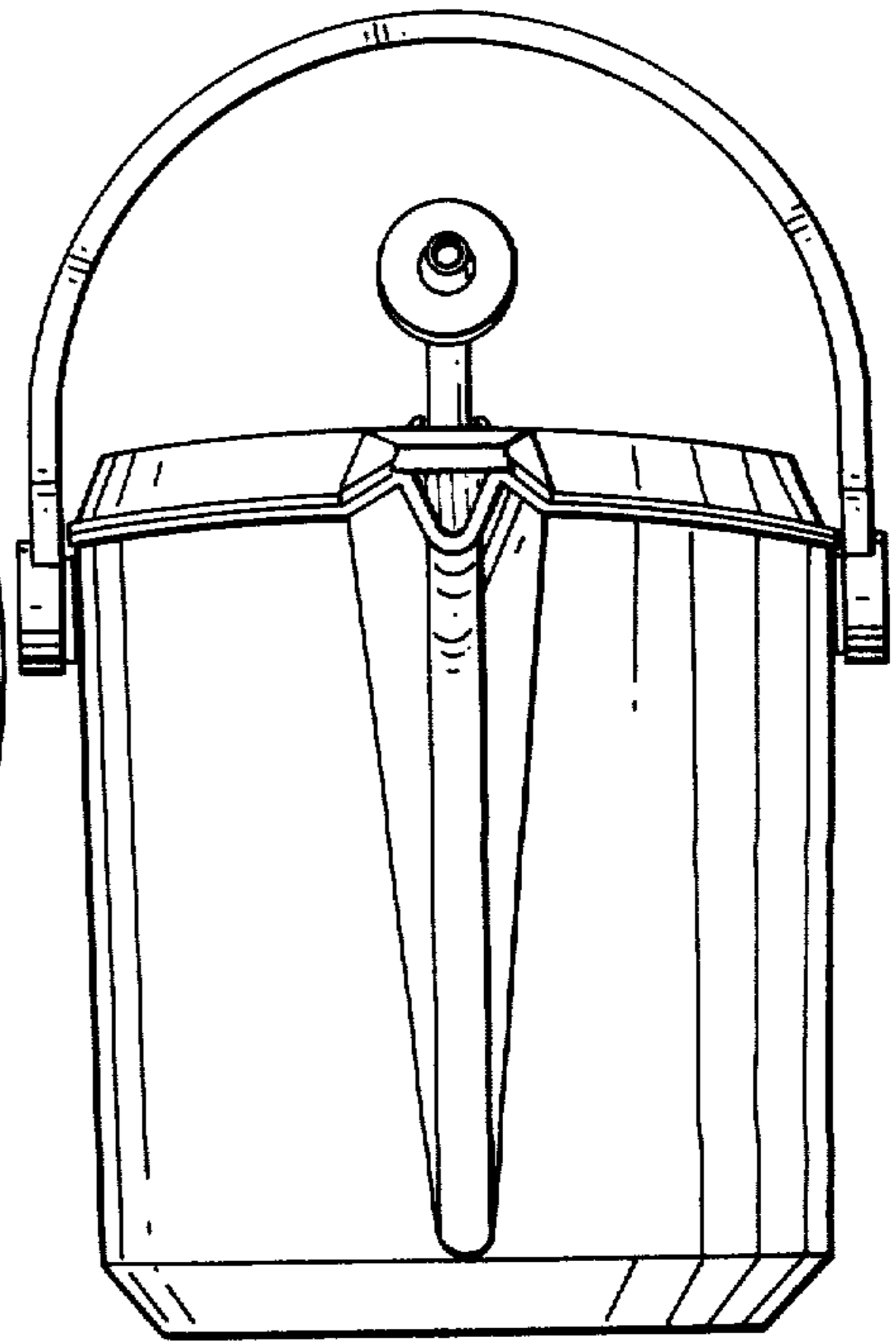


FIG. 2

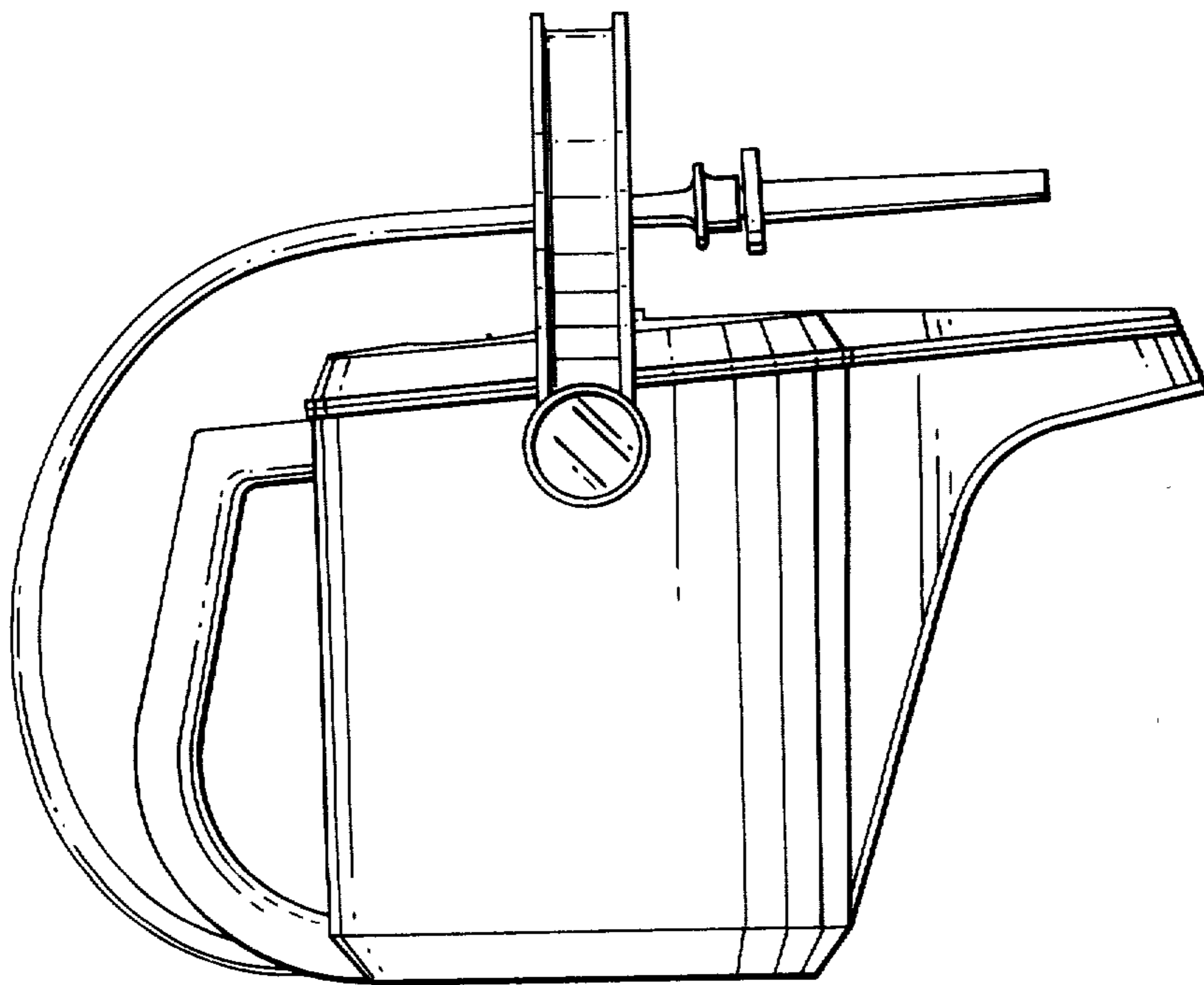


FIG. 3

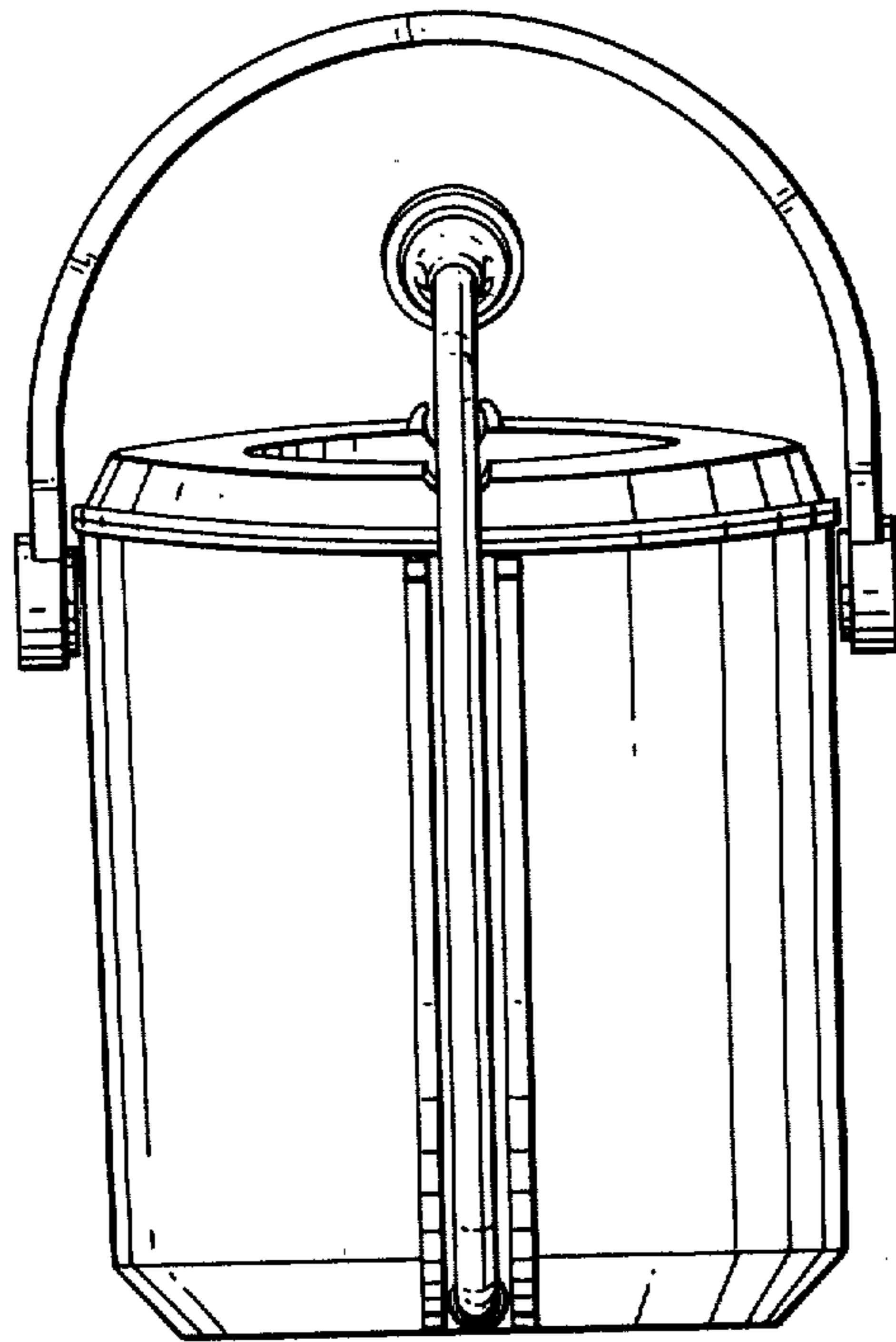


FIG. 4

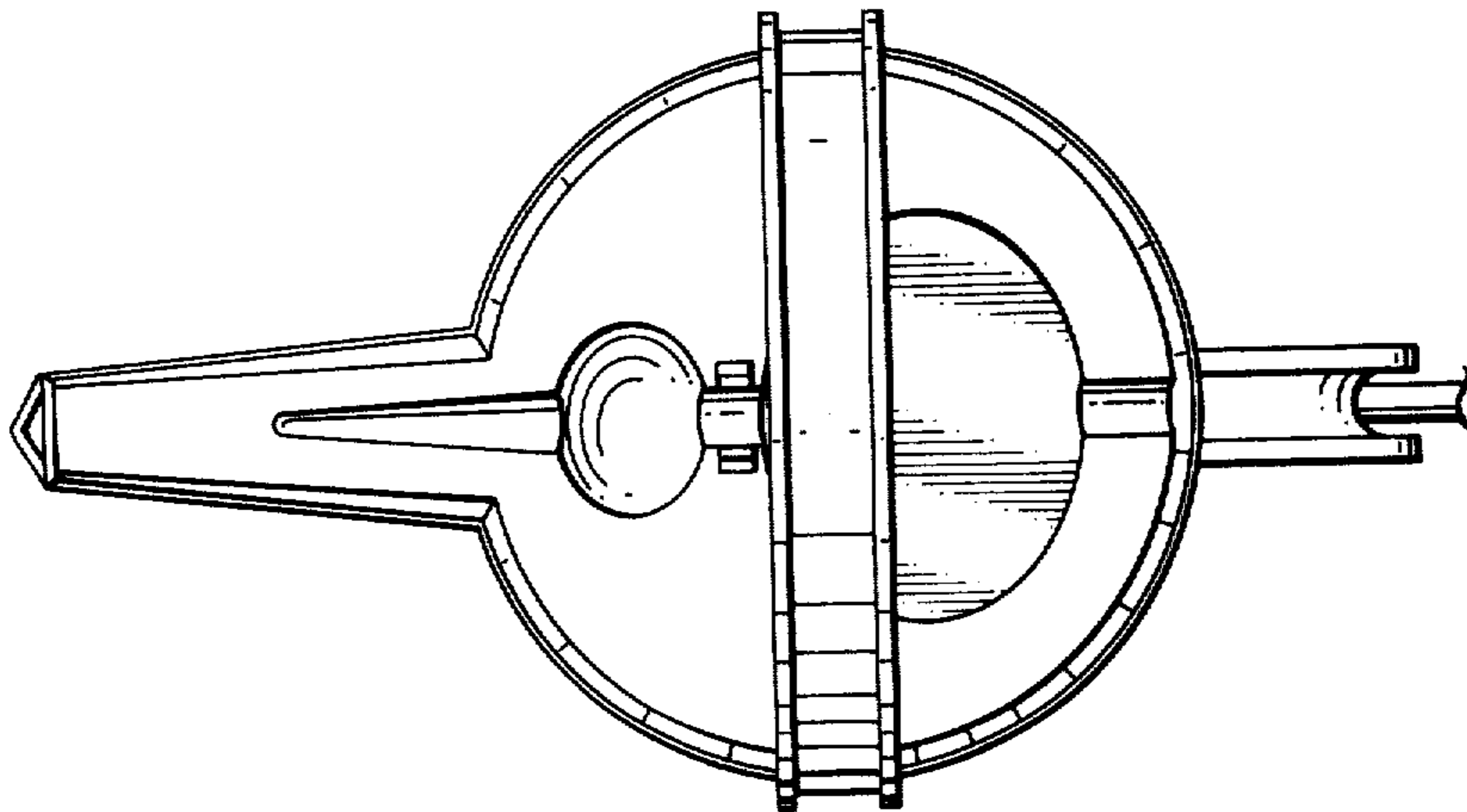


FIG. 5

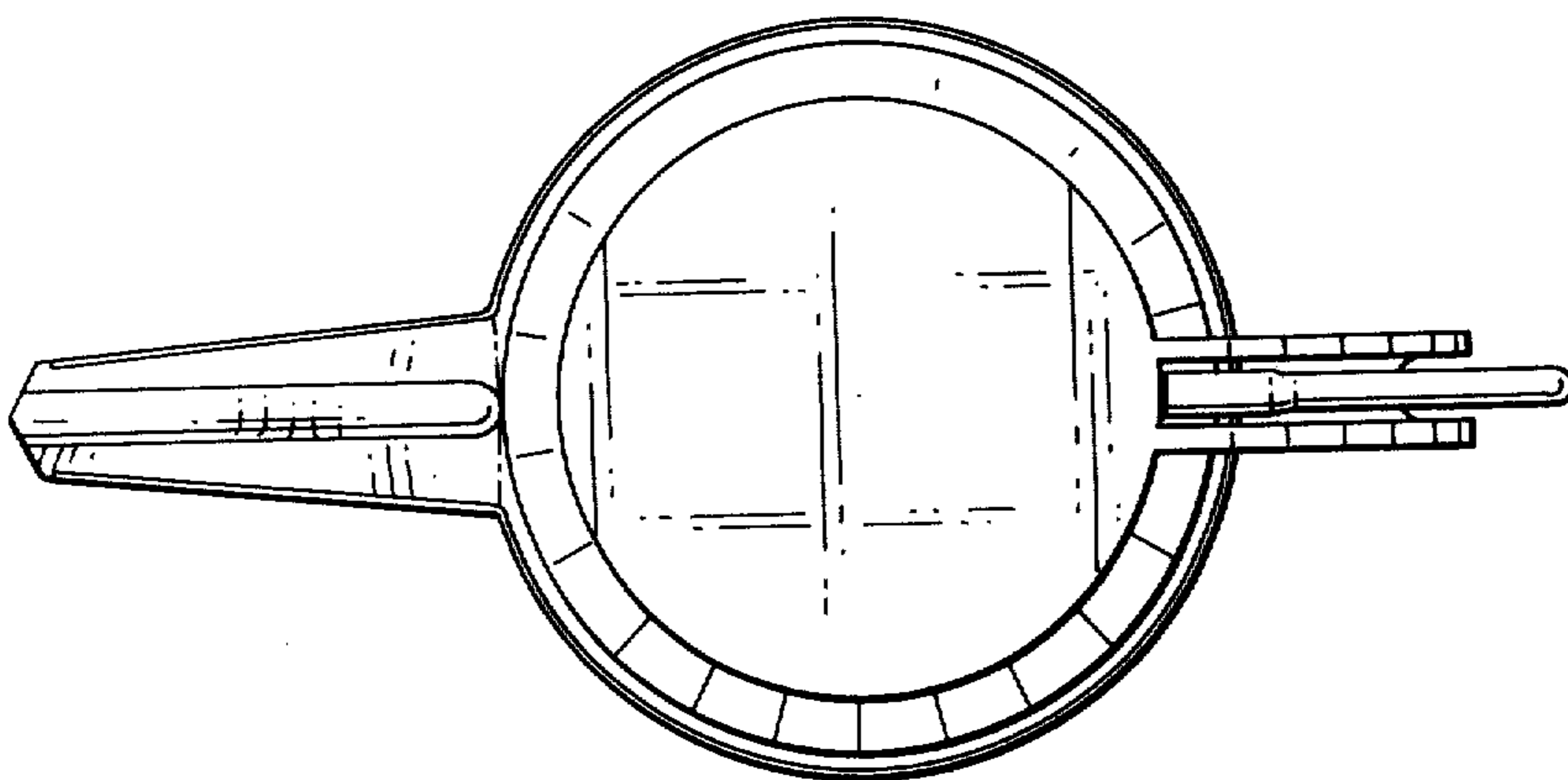


FIG. 6