

[54] **SPRINKLER**

[75] Inventor: **Martin Foreman, Merbein, Australia**

[73] Assignee: **Namerof Pty. Ltd., Merbein, Australia**

[**] Term: **14 Years**

[21] Appl. No.: **83,392**

[22] Filed: **Oct. 10, 1979**

[30] **Foreign Application Priority Data**

Sep. 5, 1979 [AU] Australia 78909

[51] Int. Cl. **D23-01**

[52] U.S. Cl. **D23/7**

[58] Field of Search **D23/6-12;**

239/230, 231, 232, 233

[56] **References Cited**

U.S. PATENT DOCUMENTS

D. 196,094 8/1963 Fee et al. D23/7
2,421,551 6/1947 Dunham 239/230

2,596,383 5/1952 Dunham 239/230
2,944,743 7/1960 Kaehergis 239/391 X
3,009,650 11/1961 Alvarez 239/230
3,043,522 7/1962 Ryerson 239/231 X
3,669,356 6/1972 Senninger 239/230
3,843,059 10/1974 Segev 239/286 X
3,930,617 1/1976 Dunmire 239/230
4,033,509 7/1977 Sheets 239/311

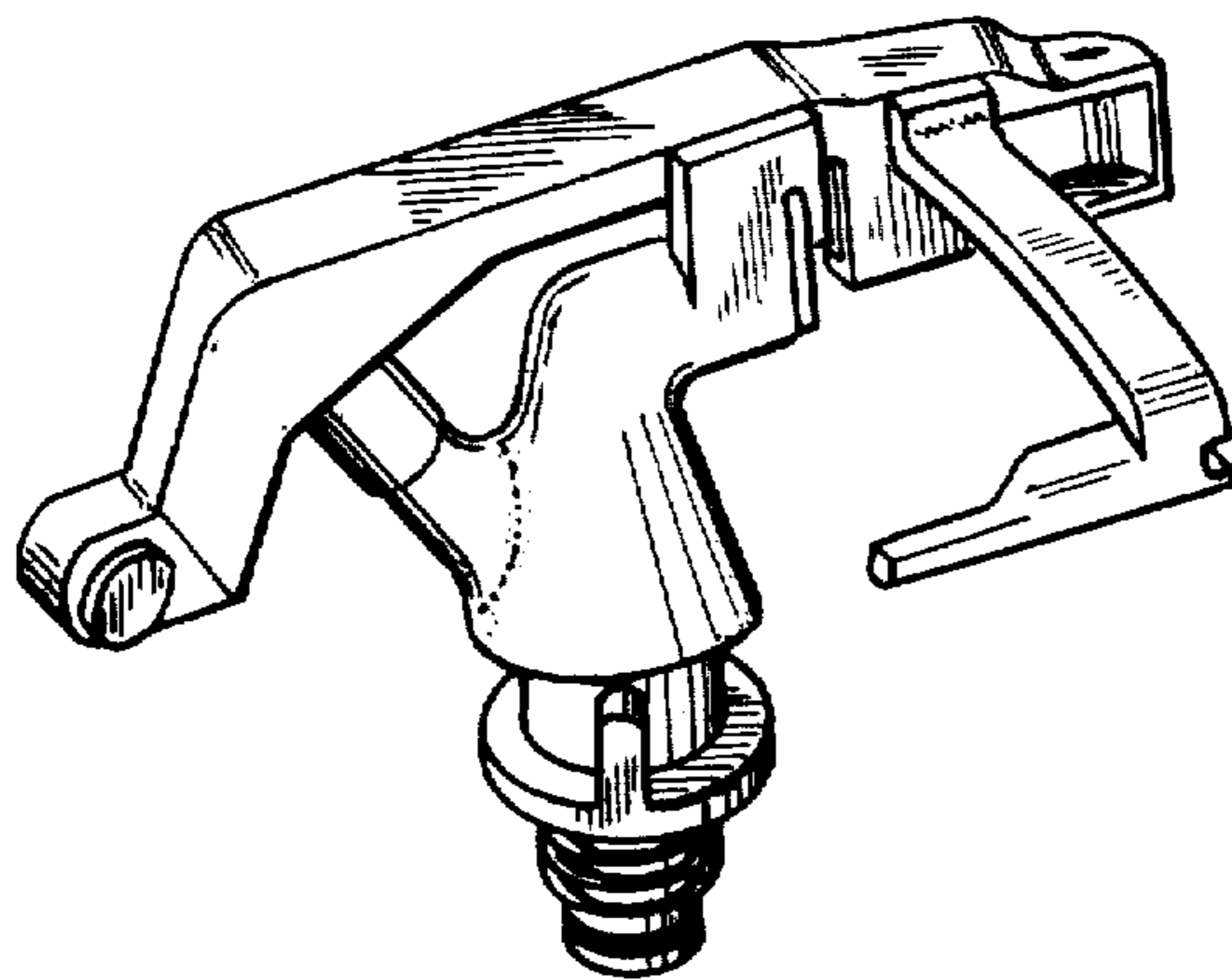
Primary Examiner—James R. Largen
Attorney, Agent, or Firm—Brown & Martin

[57] **CLAIM**

The ornamental design for a sprinkler, substantially as shown and described.

DESCRIPTION

FIG. 1 is a perspective view taken from the top and left side of a sprinkler embodying my new design; FIG. 2 is a front elevational view thereof; FIG. 3 is a top plan view thereof; FIG. 4 is a right side elevational view thereof; FIG. 5 is a rear elevational view thereof; and FIG. 6 is a bottom plan view thereof.



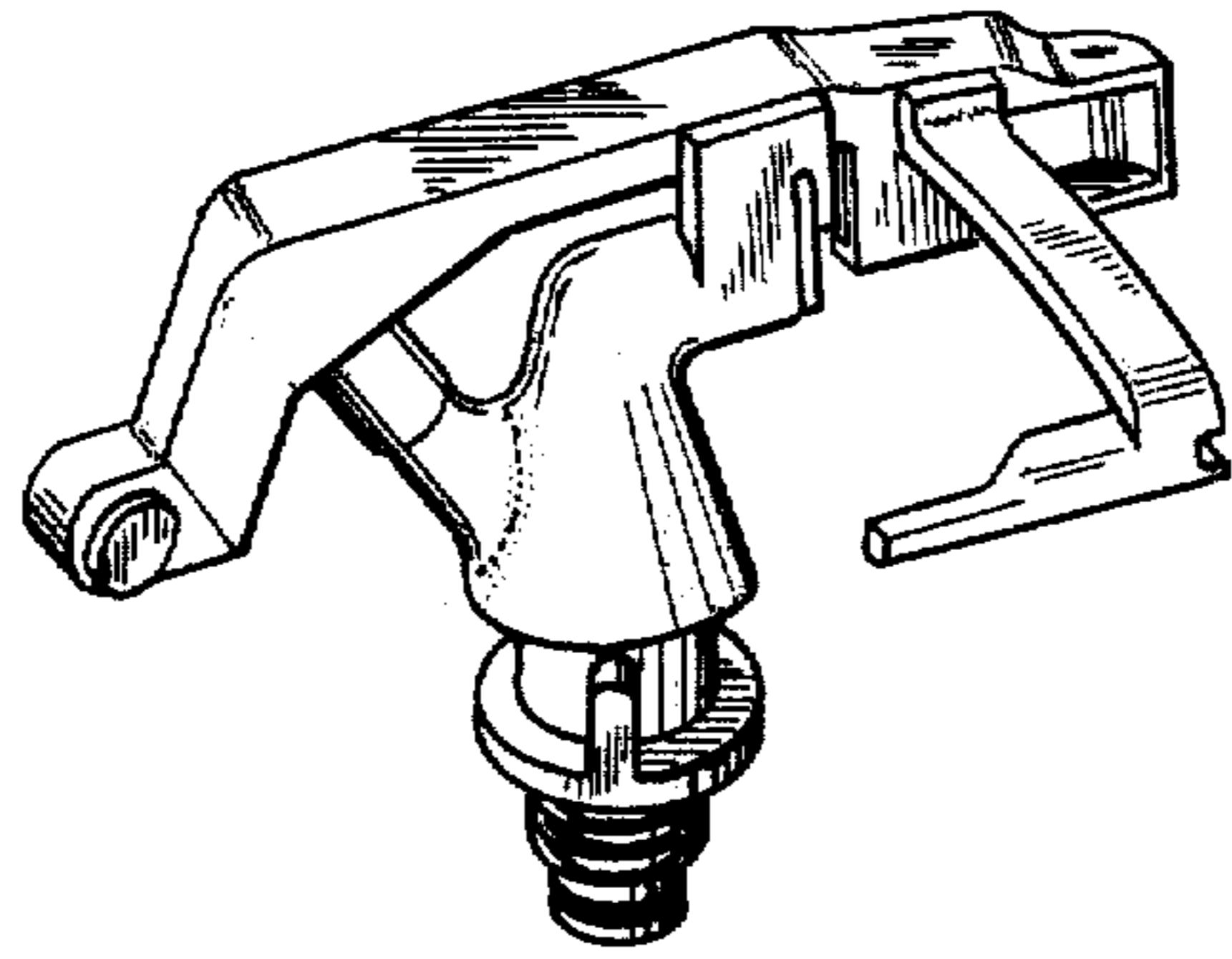


FIG 1

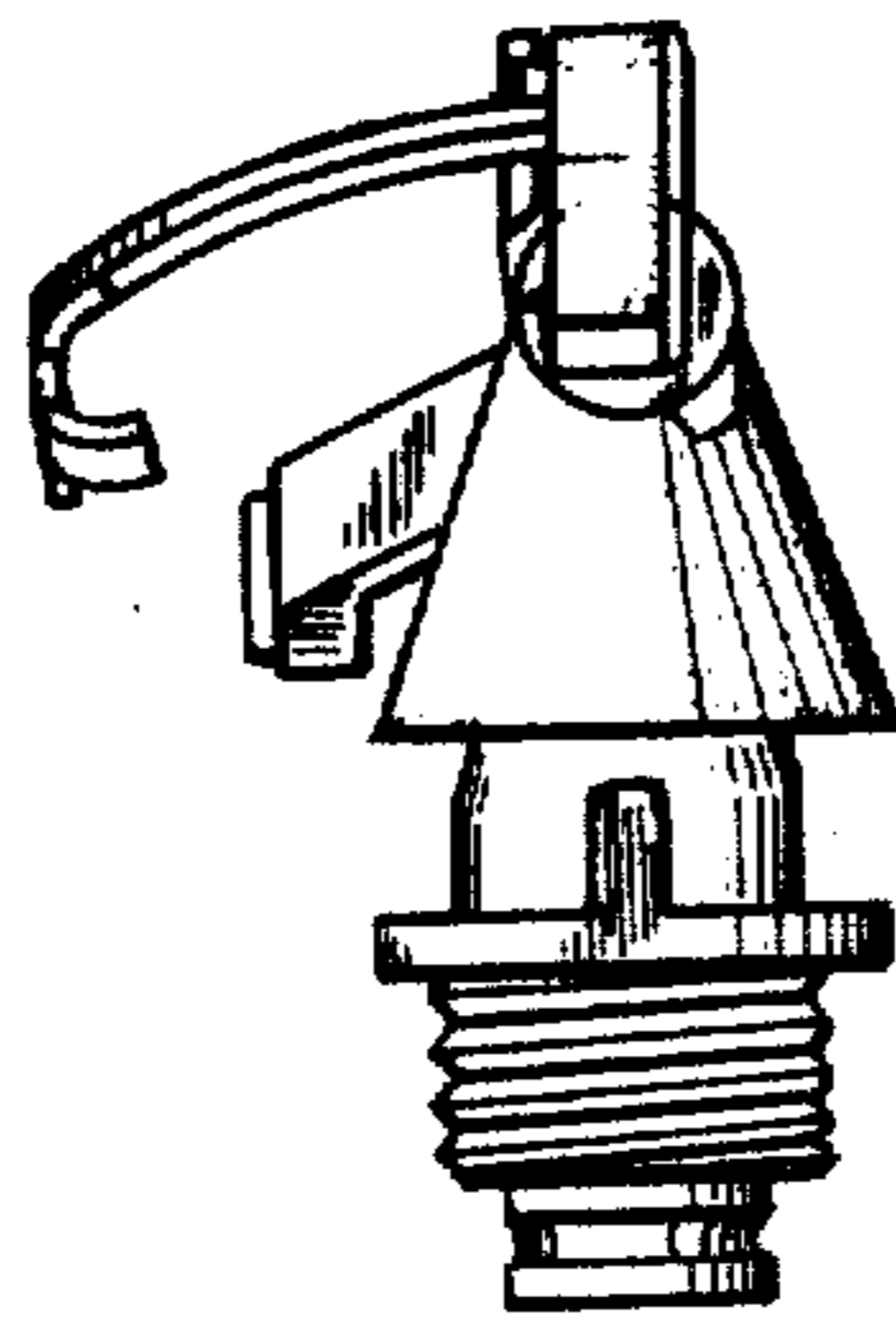


FIG 2

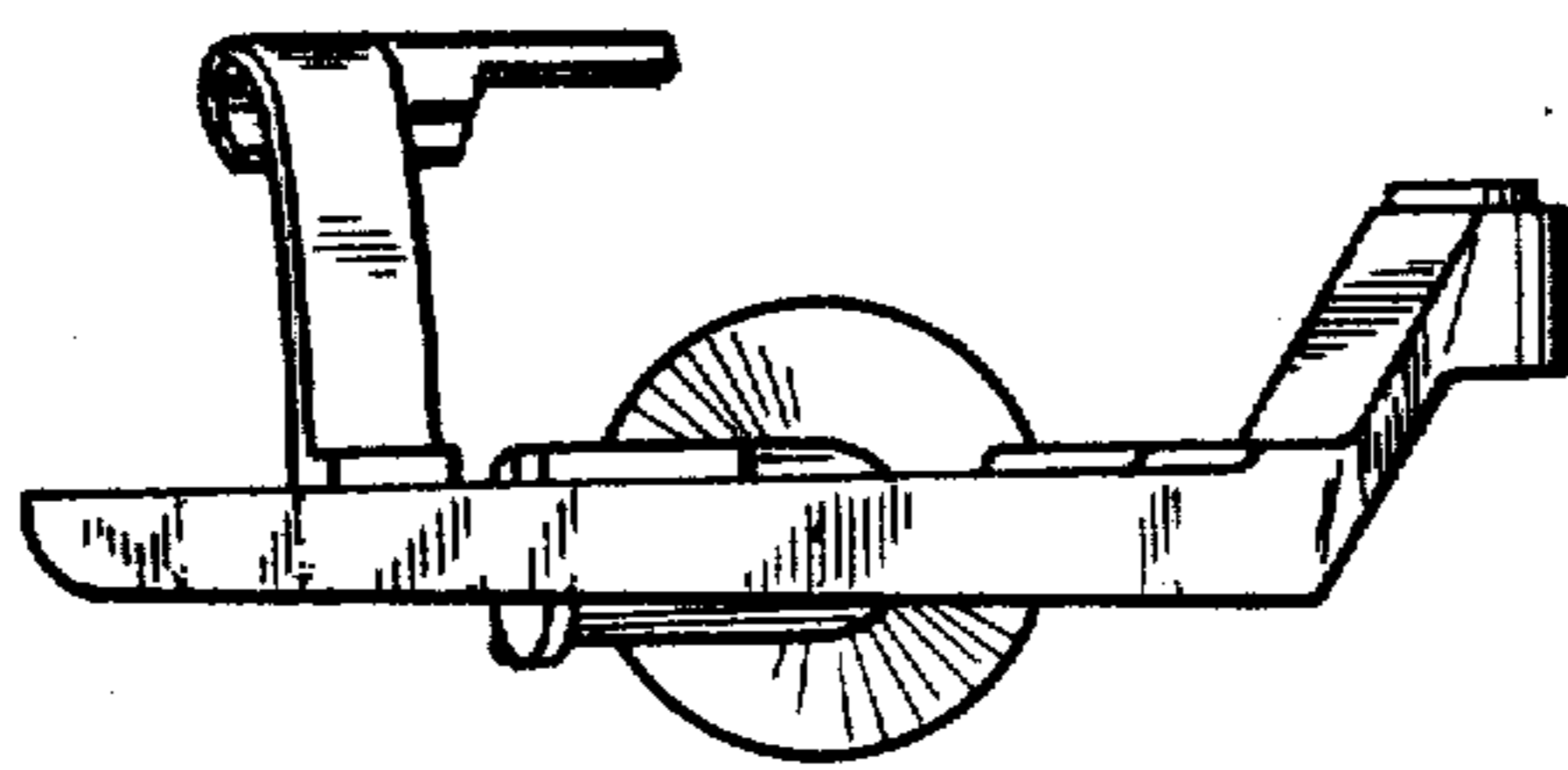


FIG 3

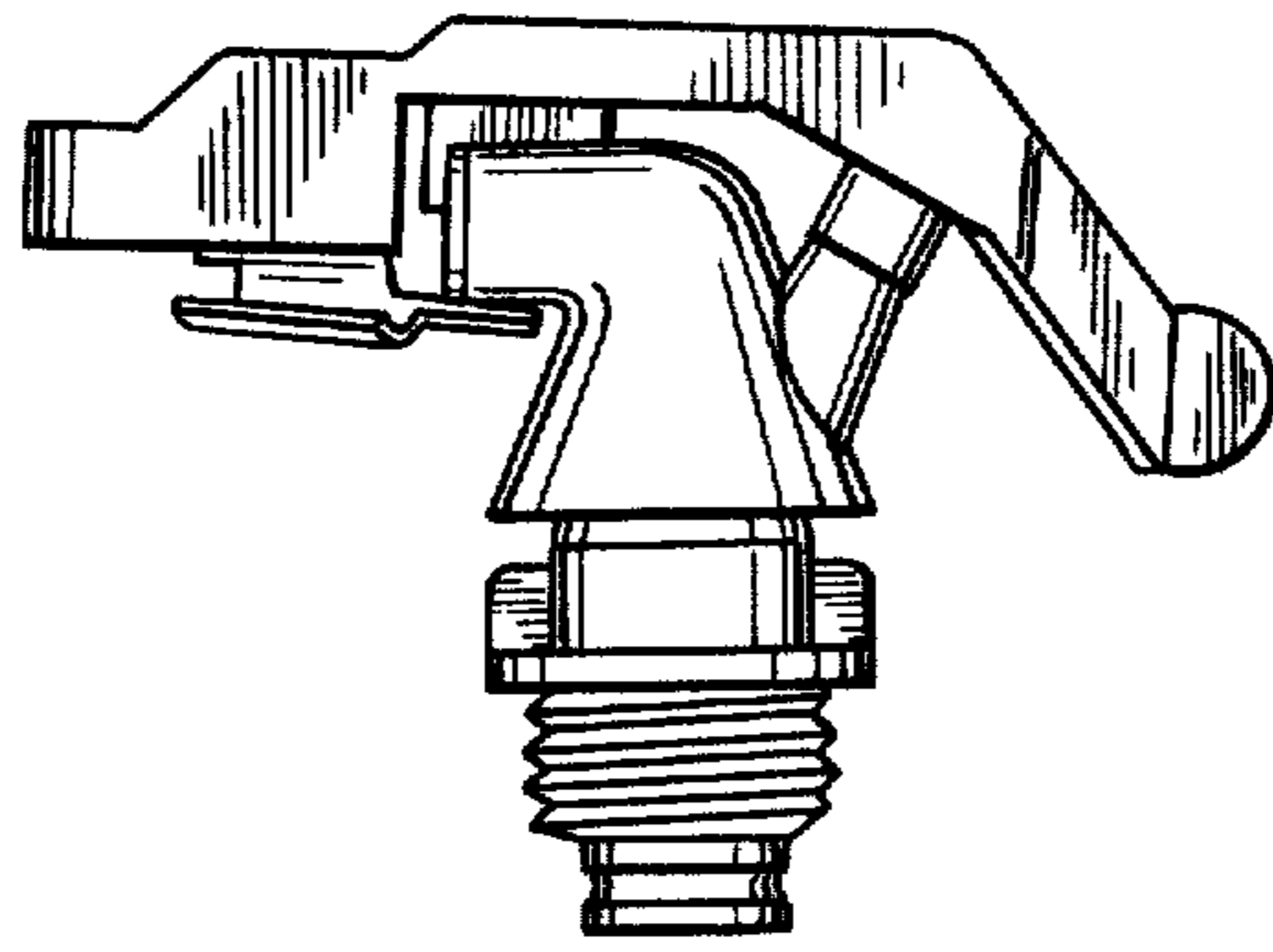


FIG 4

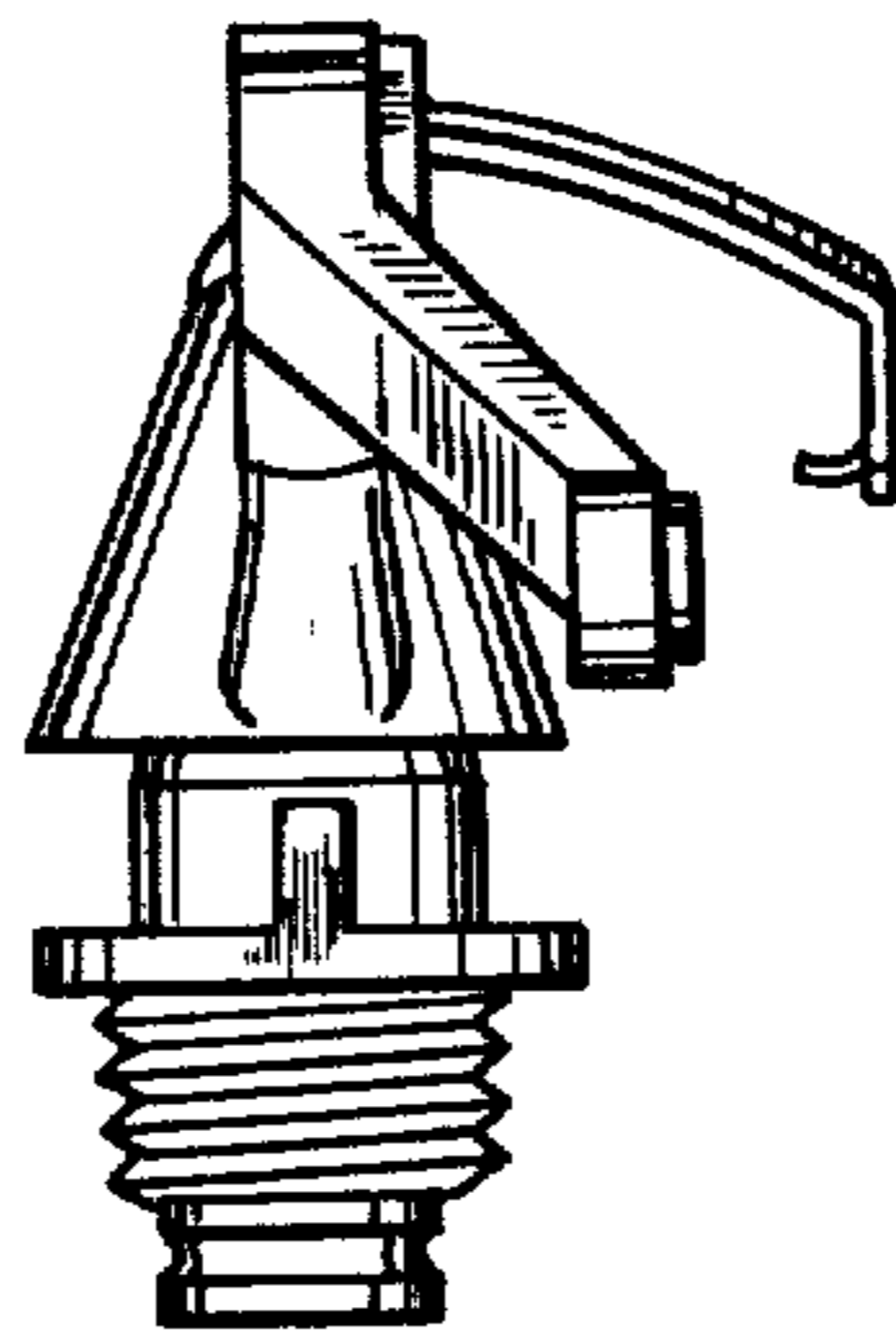


FIG 5

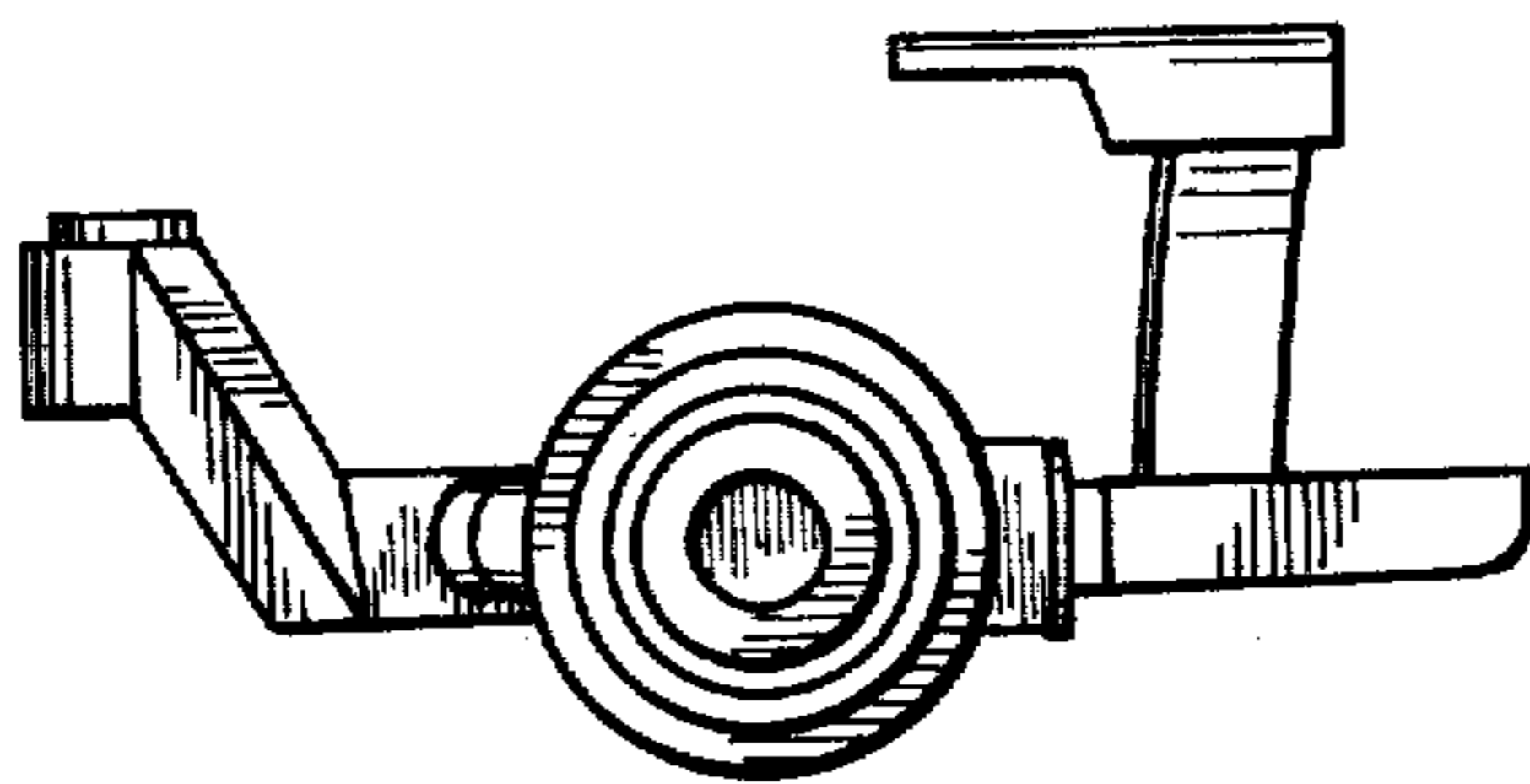


FIG 6