

[54] FLYING INSECT TRAP
[75] Inventor: William A. Schneider, Lancaster, Pa.
[73] Assignee: Pestolite, Inc., Lancaster, Pa.
[**] Term: 14 Years
[21] Appl. No.: 131,809
[22] Filed: Mar. 19, 1980
[51] Int. Cl. D22-06
[52] U.S. Cl. D22/19
[58] Field of Search 43/113, 114, 115, 112;
D22/18, 19

4,127,961 12/1978 Phillips 43/113 X

Primary Examiner—A. Hugo Word
Attorney, Agent, or Firm—Martin Fruitman

[57] CLAIM

The ornamental design for a flying insect trap, as shown in the figures.

DESCRIPTION

FIG. 1 is a perspective view taken from the front, top and left side of the flying insect trap showing the new design.

FIG. 2 is a rear elevational view of the design.

FIG. 3 is a front elevational view thereof.

FIG. 4 is a right side elevational view thereof.

FIG. 5 is a left side elevational view thereof.

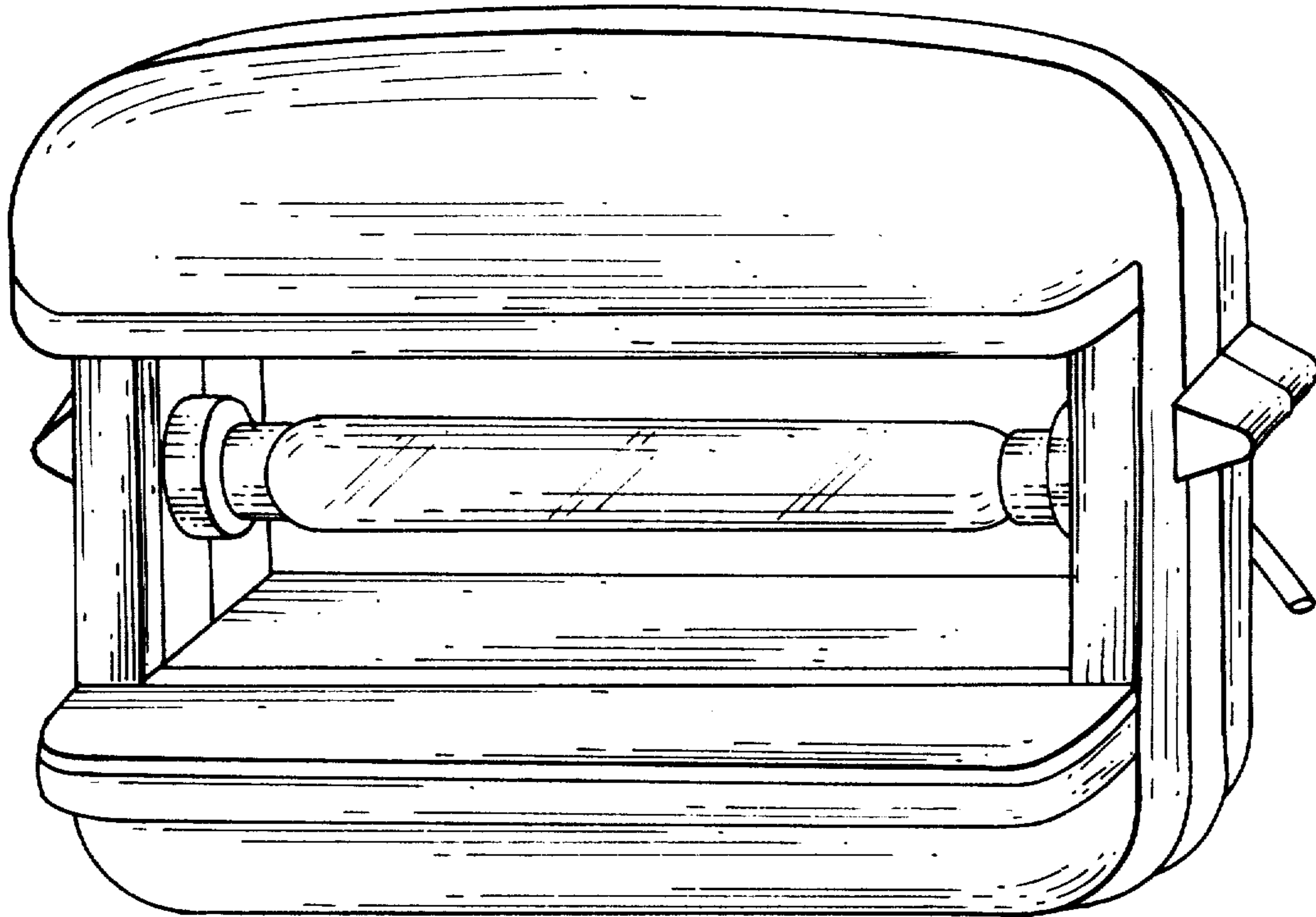
FIG. 6 is a bottom plan view thereof.

FIG. 7 is a top view thereof.

[56] References Cited

U.S. PATENT DOCUMENTS

2,873,551 2/1959 Misko 43/114 X
4,117,624 10/1978 Phillips 43/114 X



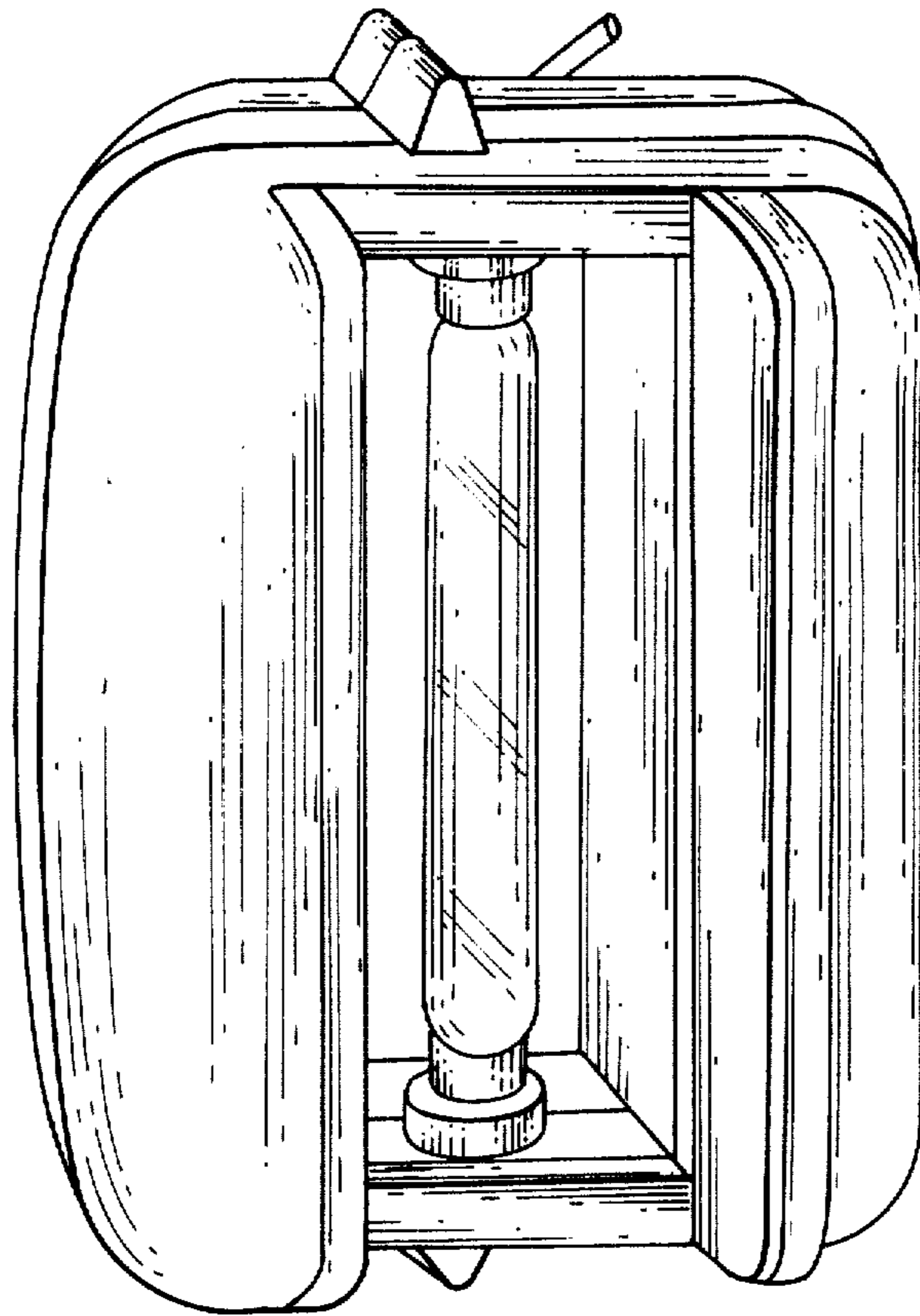


FIG. 1

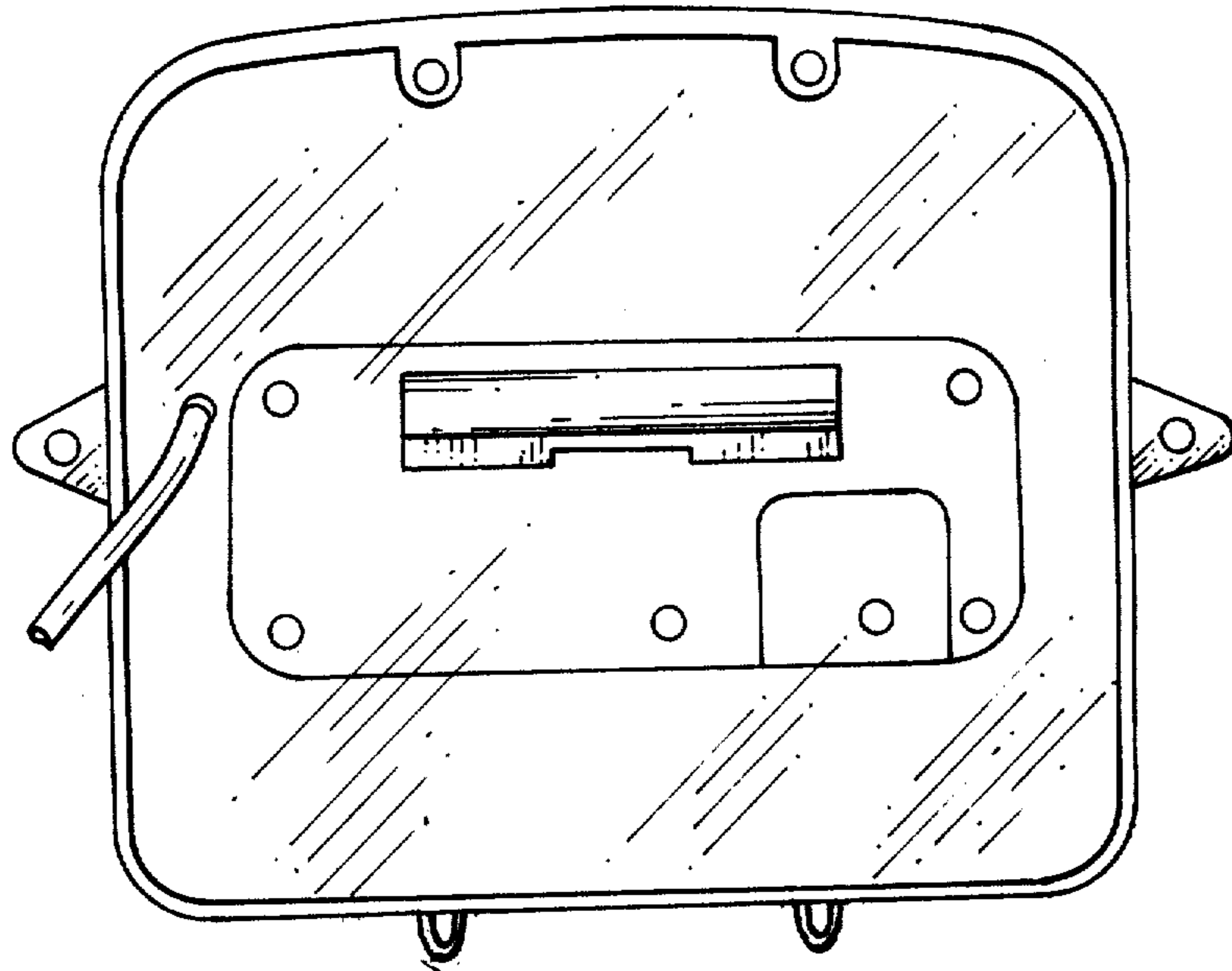


FIG. 2

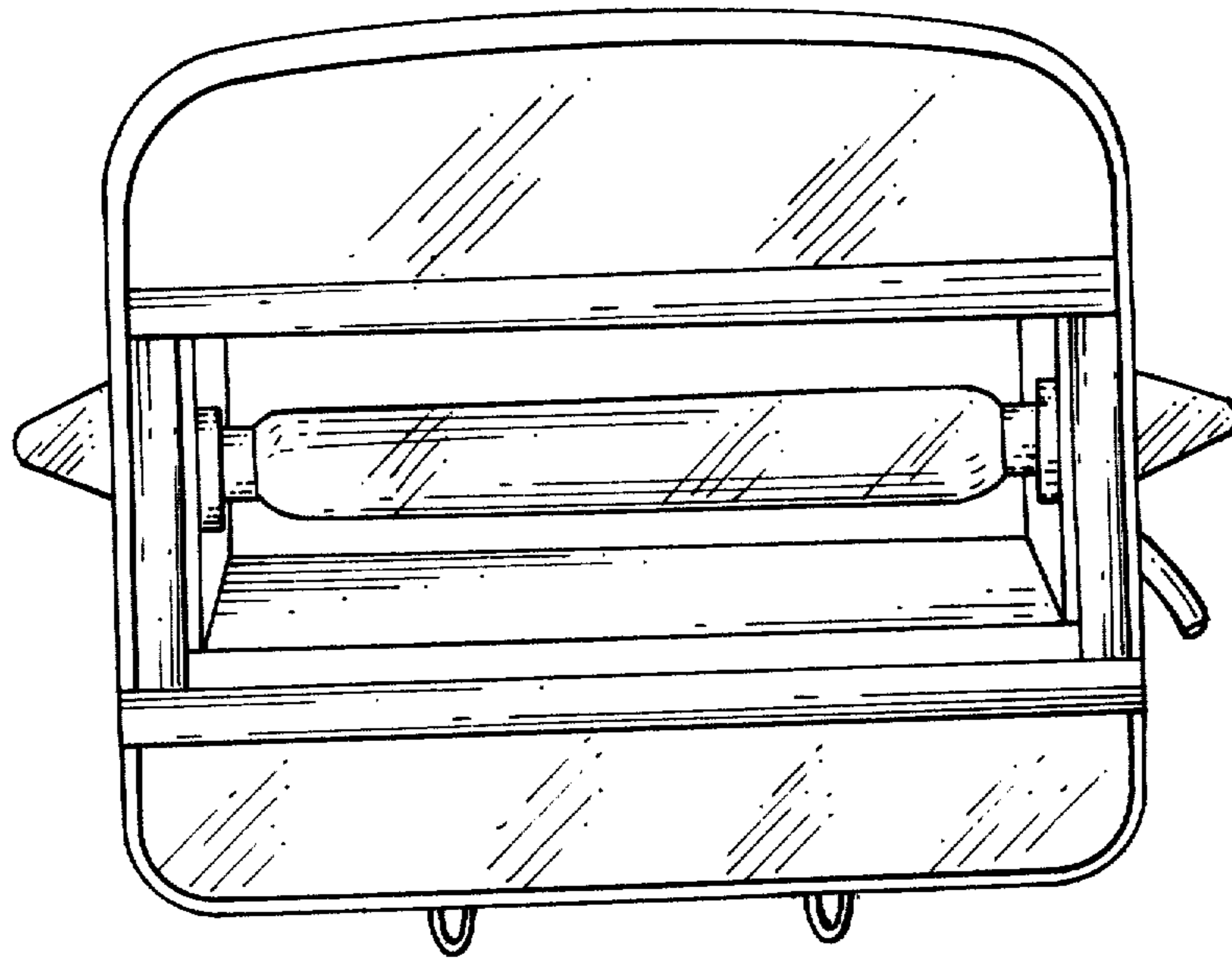


FIG. 3

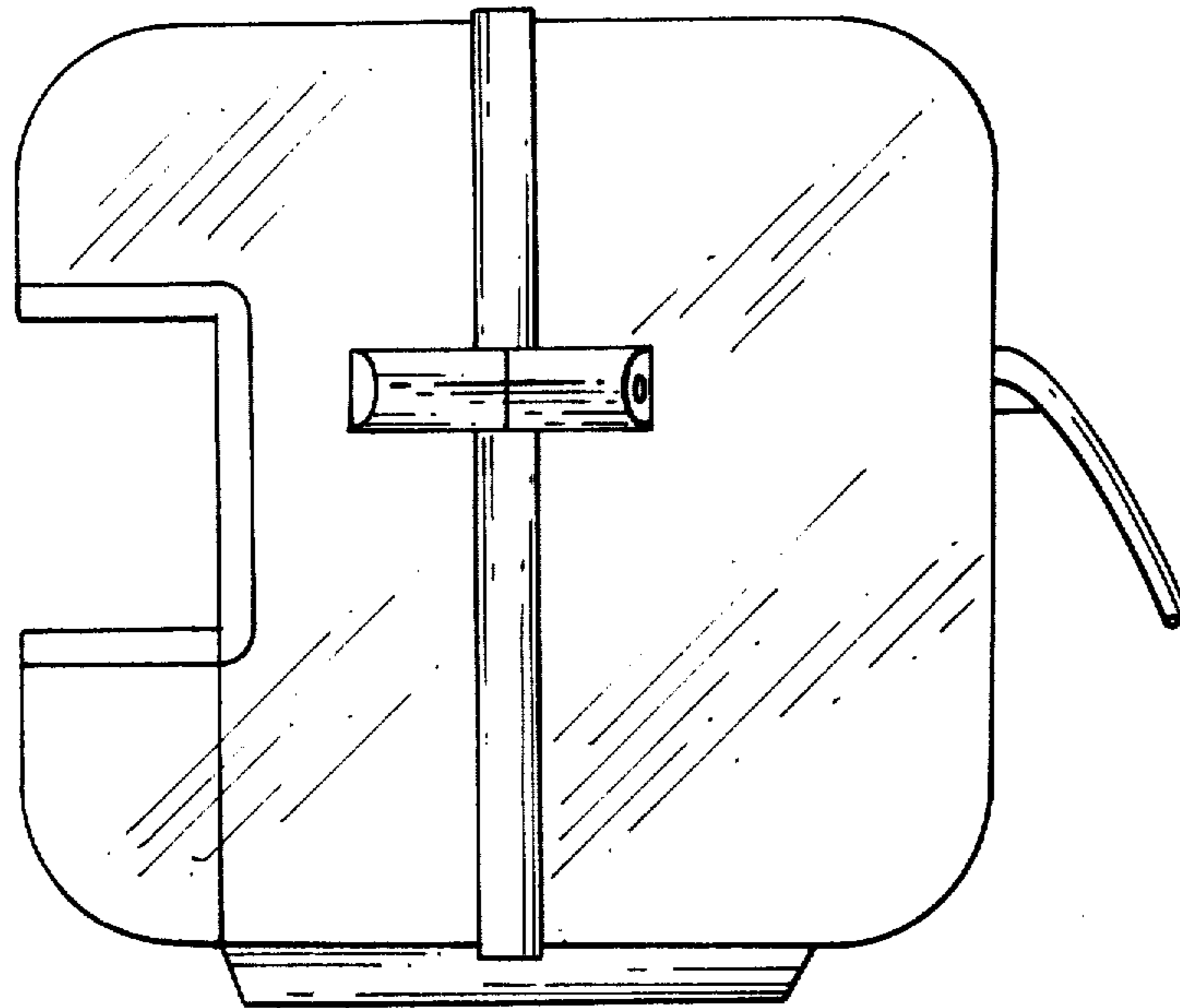


FIG. 4

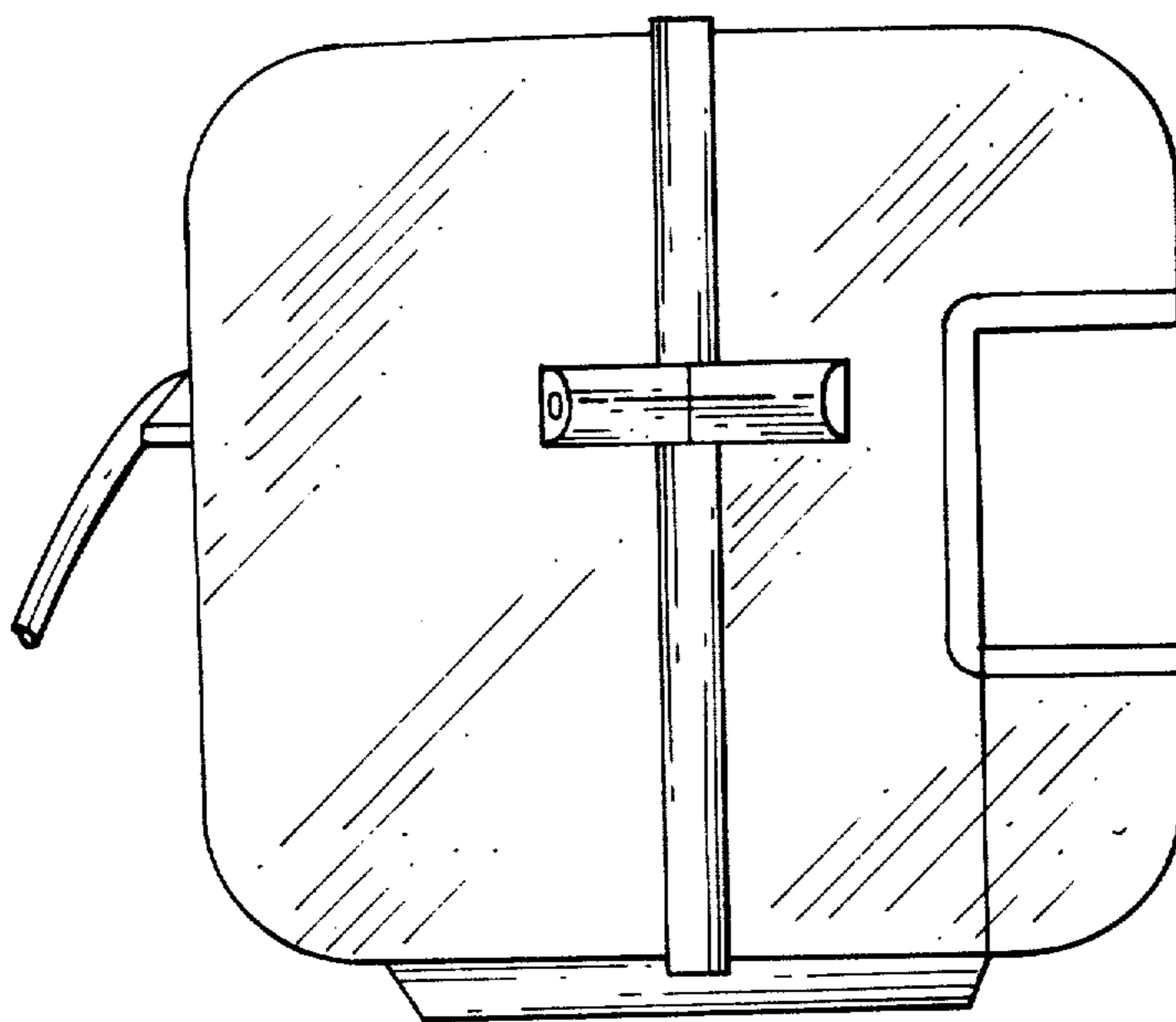


FIG. 5

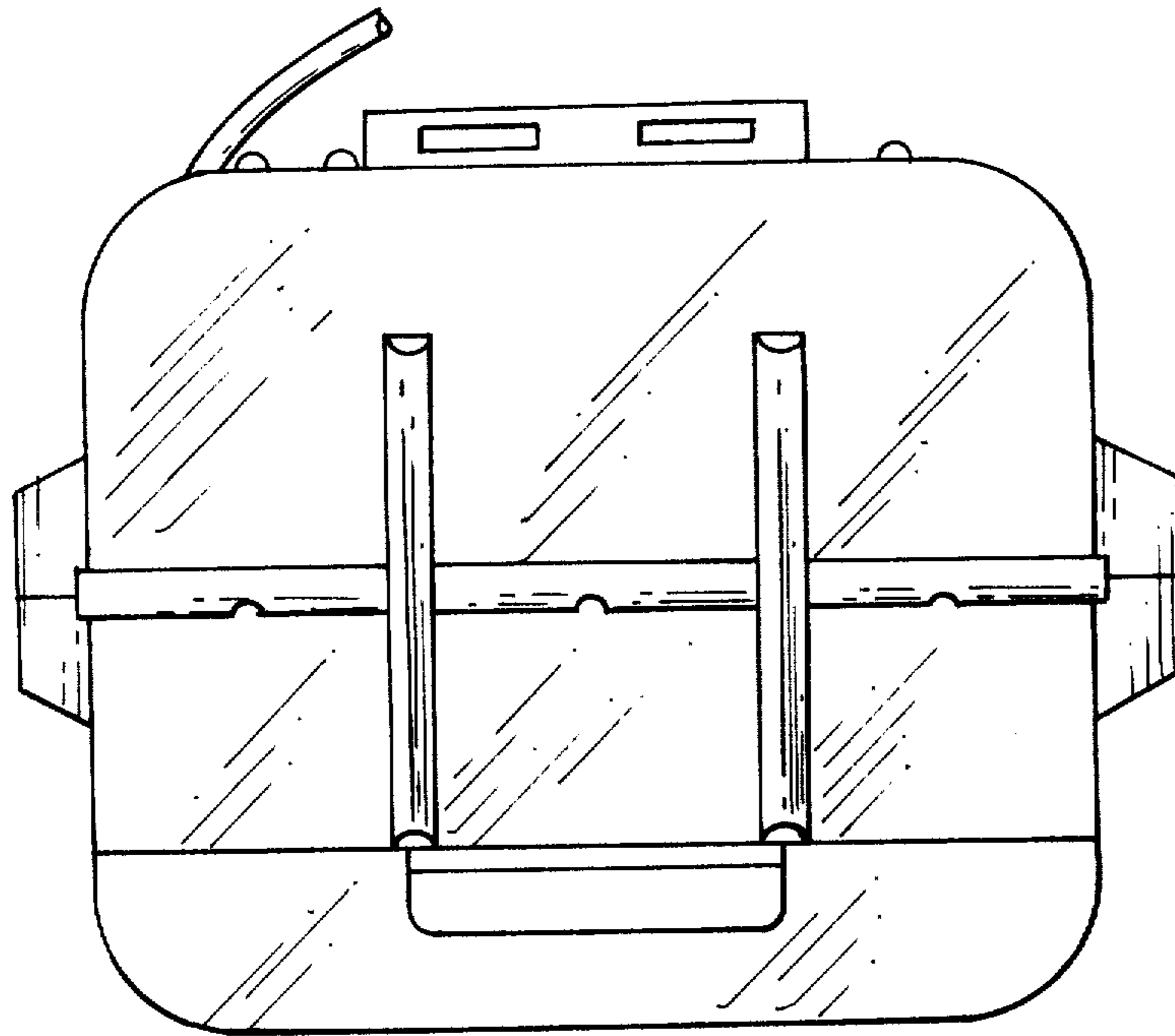


FIG. 6

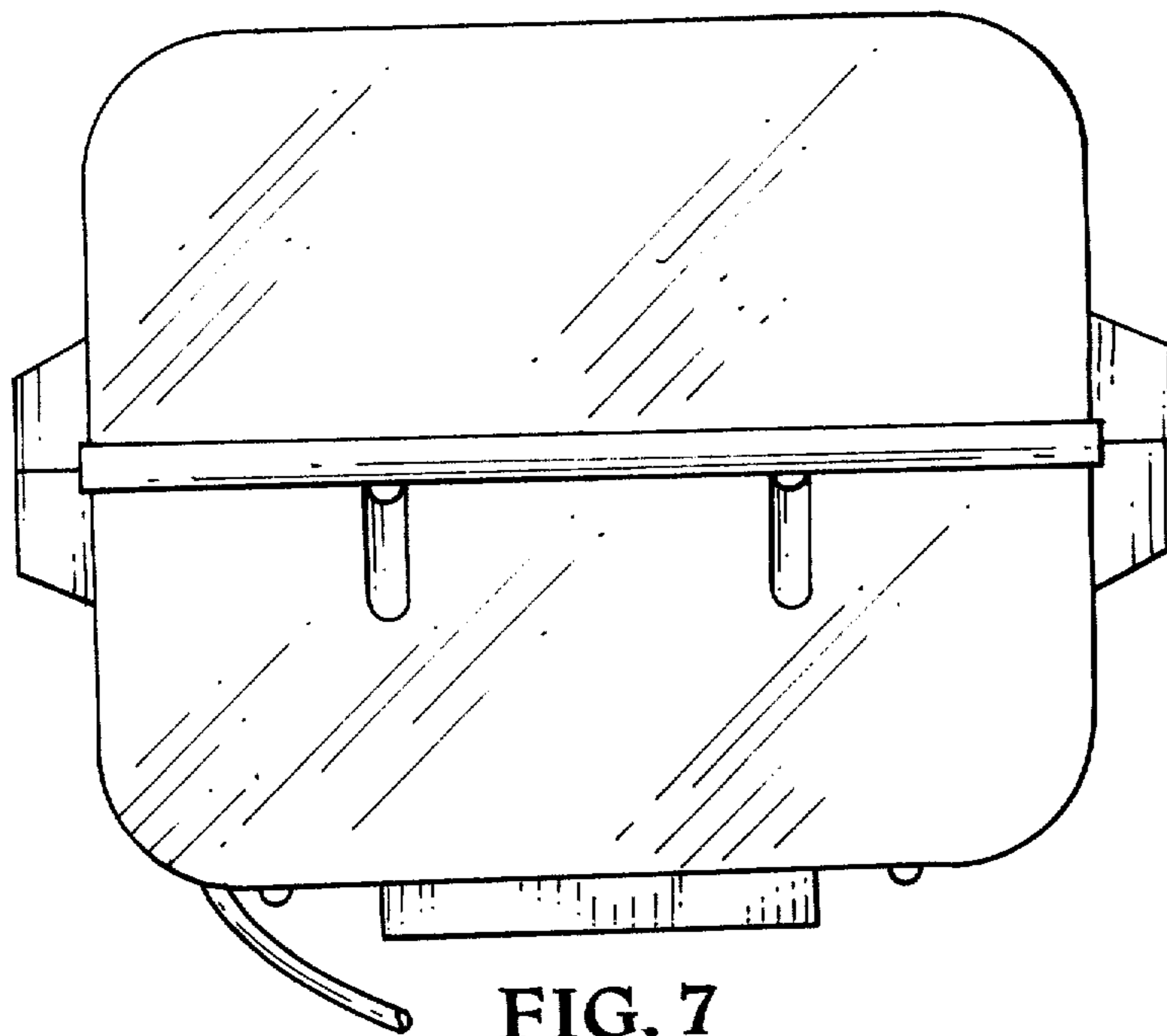


FIG. 7