

[54] TOY TYPEWRITER

[75] Inventors: Mel Appel, Nine Nottingham Rd., Livingston, N.J. 07039; Paul B. Means, III, Basking Ridge, N.J.; James J. Wilcox, Summit, N.J.; David W. Reina, Huntington, N.Y.

[73] Assignee: Mel Appel, Livingston, N.J.

[**] Term: 14 Years

[21] Appl. No.: 29,118

[22] Filed: Apr. 11, 1979

[51] Int. Cl. D21-01
[52] U.S. Cl. D21/109
[58] Field of Search D21/59, 126, 127, 166, D21/190, 109; 46/1 R, 39

[56]

References Cited

U.S. PATENT DOCUMENTS

4,156,322 5/1979 Seki 46/39

OTHER PUBLICATIONS

Sears Wish Book for the 1977 Christmas Season, p. 483, upper right, Toy Stuff Wordwriter.

Primary Examiner—Lester L. Lee
Attorney, Agent, or Firm—Lerner, David, Littenberg & Samuel

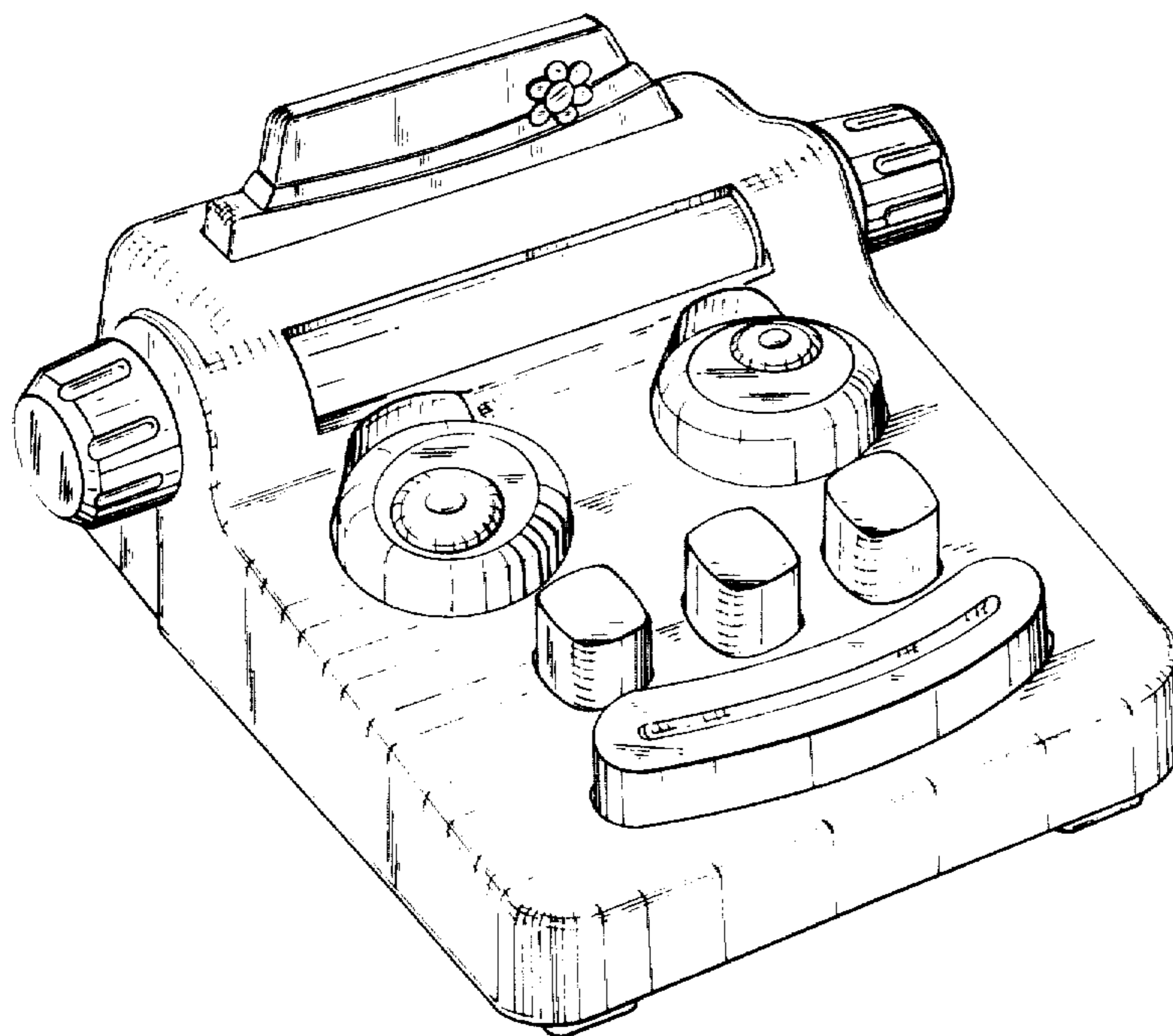
[57]

CLAIM

The ornamental design for a toy typewriter, substantially as shown and described.

DESCRIPTION

FIG. 1 is a top and front perspective view of a toy typewriter showing our new design; FIG. 2 is a rear elevational view thereof; FIG. 3 is a bottom plan view thereof; and FIG. 4 is a left elevational view, the right elevational view is a mirror image thereof.



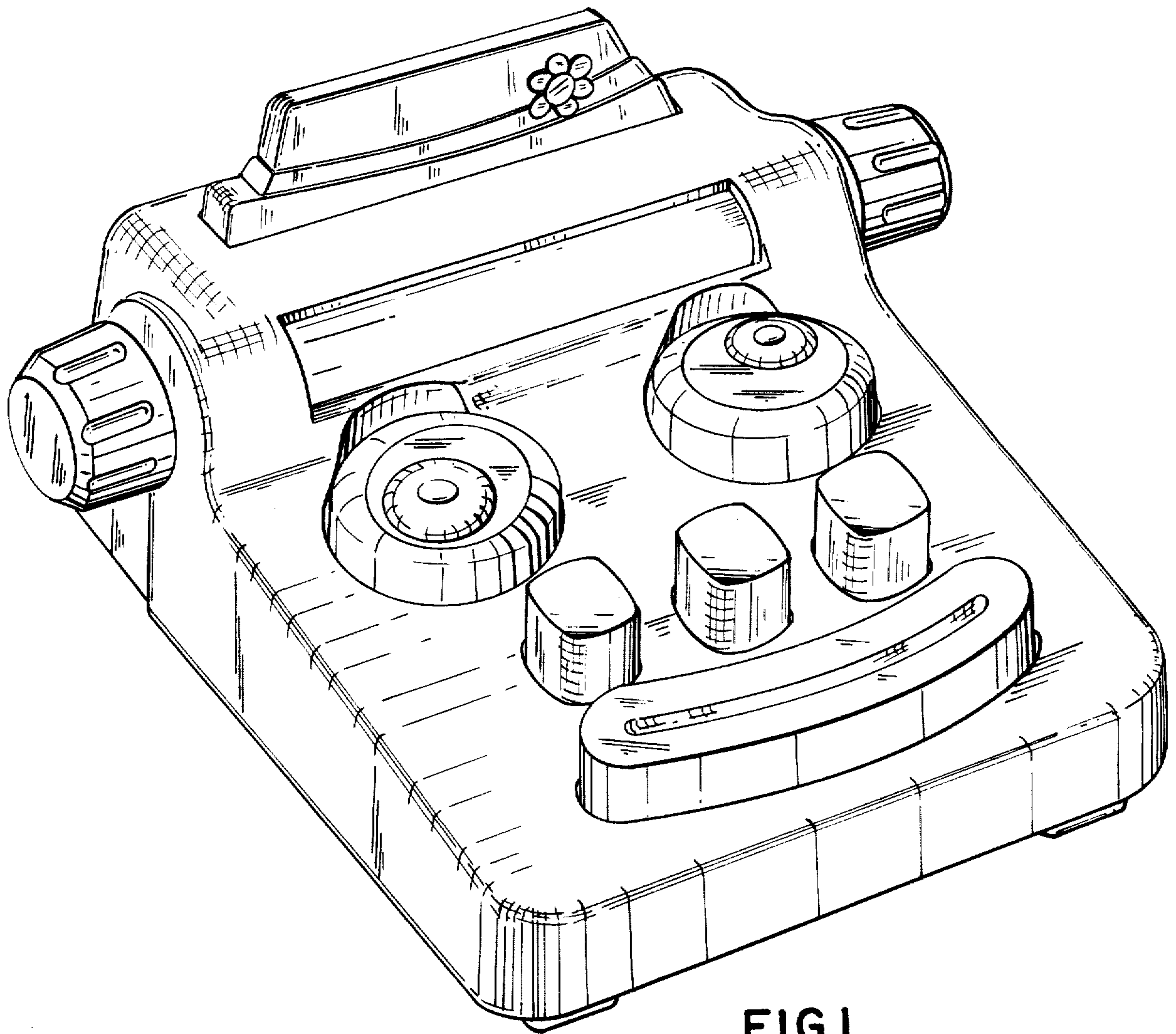


FIG. 1

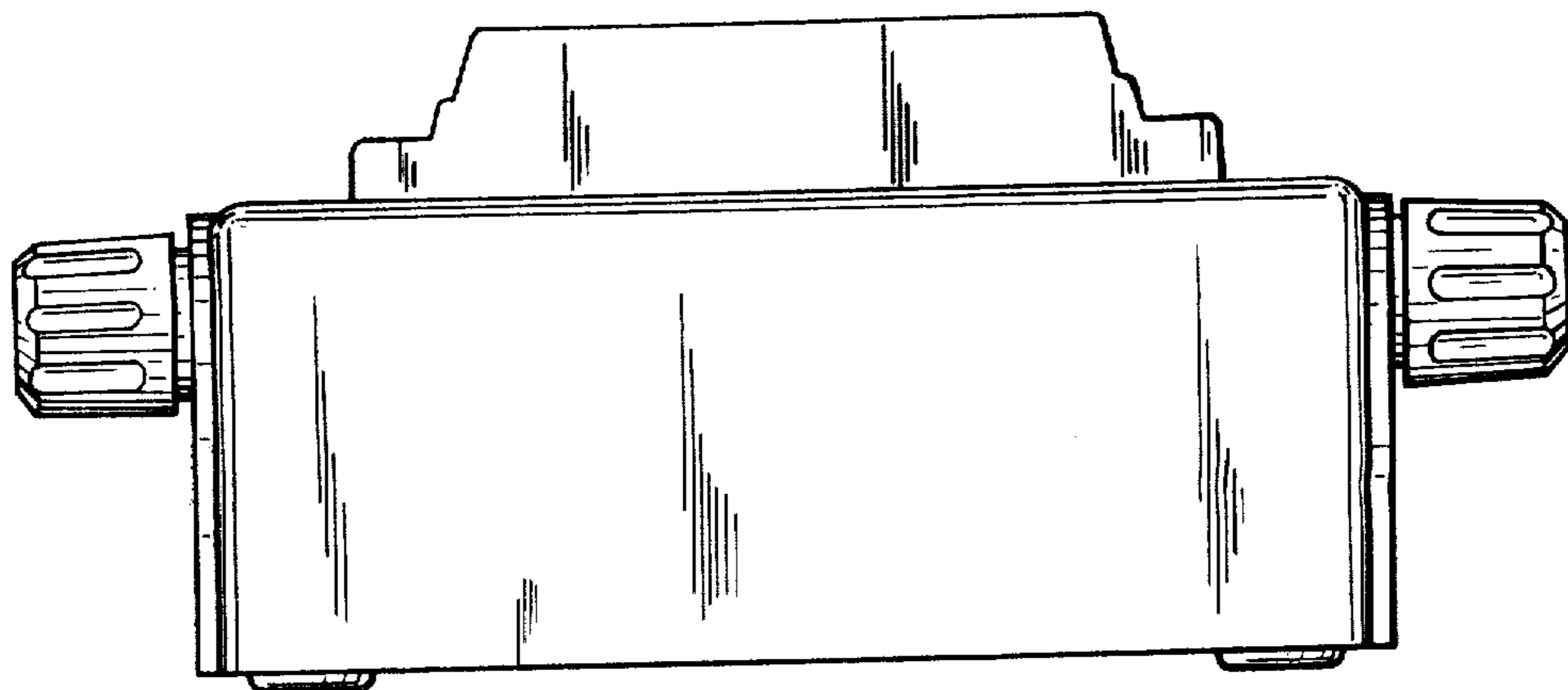


FIG. 2

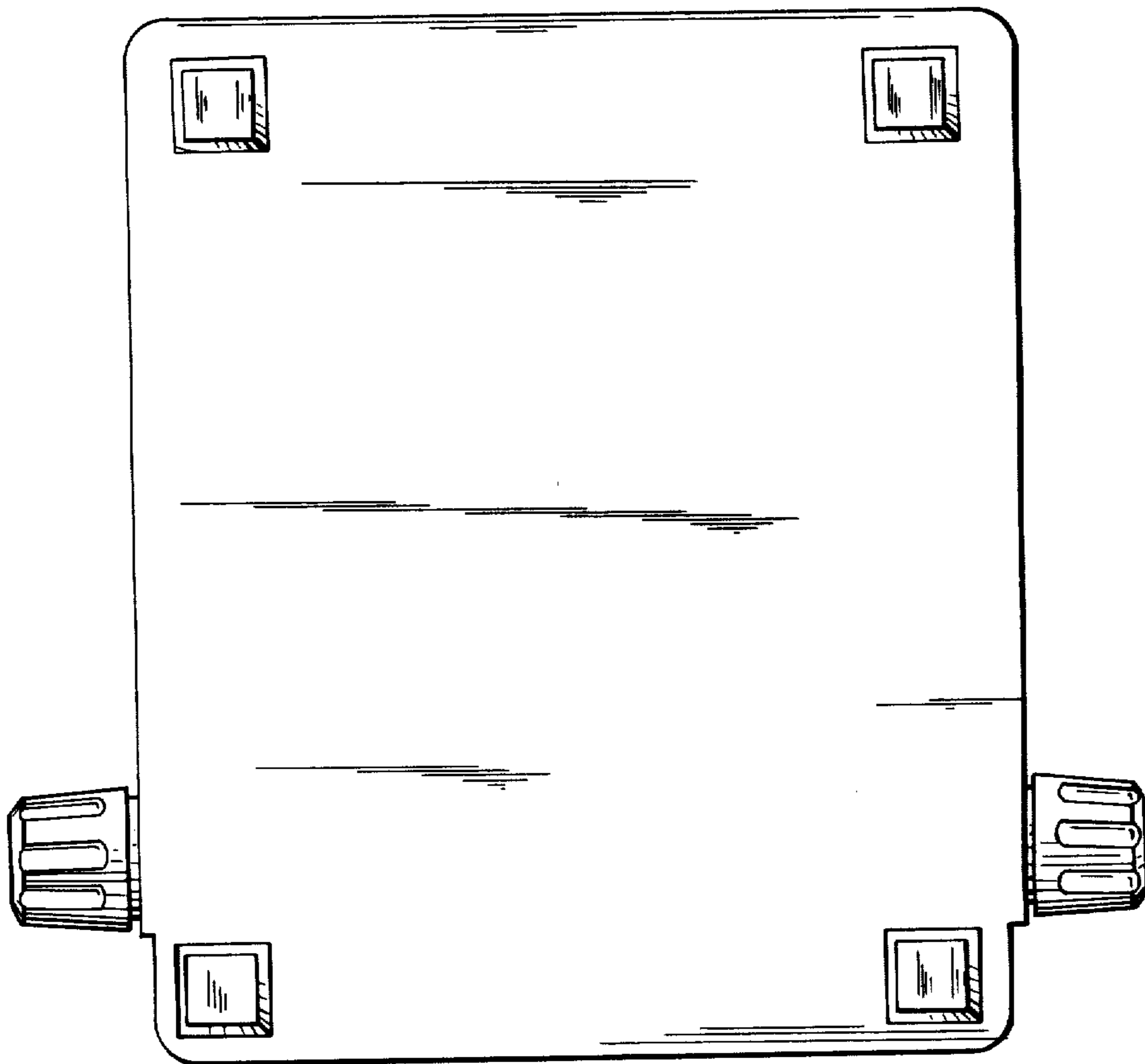


FIG. 3

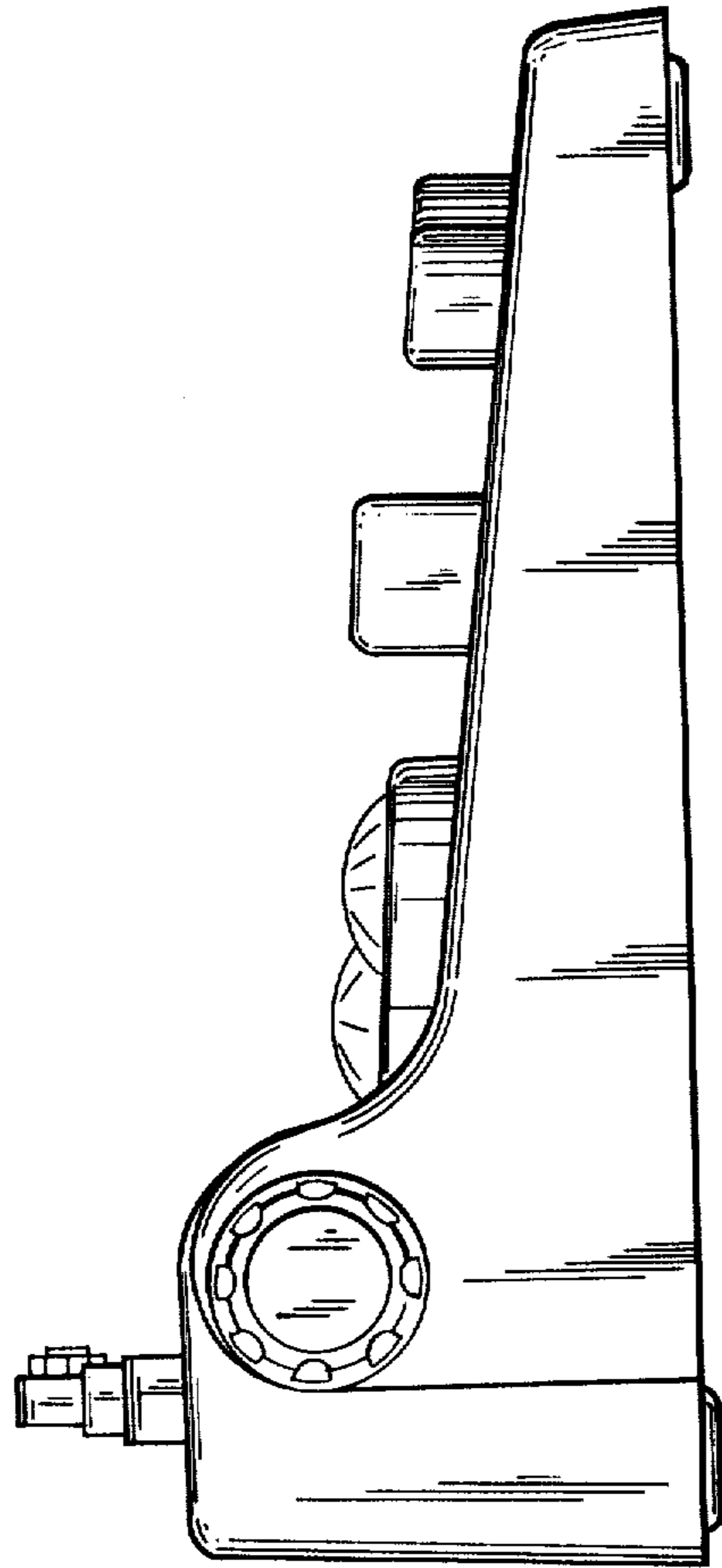


FIG. 4